



US00D871821S

(12) **United States Design Patent** (10) **Patent No.:** **US D871,821 S**  
**Boltz et al.** (45) **Date of Patent:** **\*\* Jan. 7, 2020**

(54) **DUAL FUNCTION GAS AND PELLET GRILL**

(71) Applicant: **The Boltz Group, LLC**, Addison, TX (US)

(72) Inventors: **Erica Lea Boltz**, Dallas, TX (US);  
**Brandon Gleaton**, Dallas, TX (US)

(73) Assignee: **The Boltz Group, LLC**, Addison, TX (US)

(\*\*) Term: **15 Years**

(21) Appl. No.: **29/648,454**

(22) Filed: **May 21, 2018**

(51) **LOC (12) Cl.** ..... **07-02**

(52) **U.S. Cl.**  
USPC ..... **D7/334**

(58) **Field of Classification Search**  
USPC ..... D7/323, 331, 332, 334, 336, 402-403,  
D7/337  
CPC ..... A47J 33/00; A47J 37/07-0727; A47J  
37/0786  
See application file for complete search history.

(56) **References Cited**

**U.S. PATENT DOCUMENTS**

4,665,891	A *	5/1987	Nemec	.....	A47J 37/0704 126/25 R
D292,547	S *	11/1987	Bayer	.....	D7/332
5,481,964	A *	1/1996	Kitten	.....	A47J 37/0704 126/25 R
D476,188	S	6/2003	Wood		
D491,410	S *	6/2004	Saunders	.....	D7/334
D560,419	S	1/2008	Lockhart et al.		
D563,150	S	3/2008	Chau et al.		
D577,945	S *	10/2008	Traeger	.....	D7/334
7,469,630	B1 *	12/2008	Ray	.....	A47J 37/0786 99/482
D584,562	S	1/2009	Chau et al.		
D636,217	S	4/2011	Slater et al.		
D660,646	S	5/2012	Simms		

D662,773	S	7/2012	Simms		
8,381,712	B1	2/2013	Simms		
D708,002	S *	7/2014	Cruccolini	.....	D7/334
D732,874	S *	6/2015	Chung	.....	D7/334
D790,901	S *	7/2017	Zhou	.....	D7/334
D820,023	S *	6/2018	Zhou	.....	D7/334
D820,628	S *	6/2018	Zhou	.....	D7/334

(Continued)

**FOREIGN PATENT DOCUMENTS**

CN	304412567	*	12/2017
EM	0001963703-0001	*	1/2012
EM	0004560134-0003	*	7/2017

**OTHER PUBLICATIONS**

Smoke Daddy, Pellet Pro Grill, webpage, Mar. 28, 2018, Smoke Daddy Grills.

(Continued)

*Primary Examiner* — Brett Miller  
(74) *Attorney, Agent, or Firm* — Miller & Martin PLLC

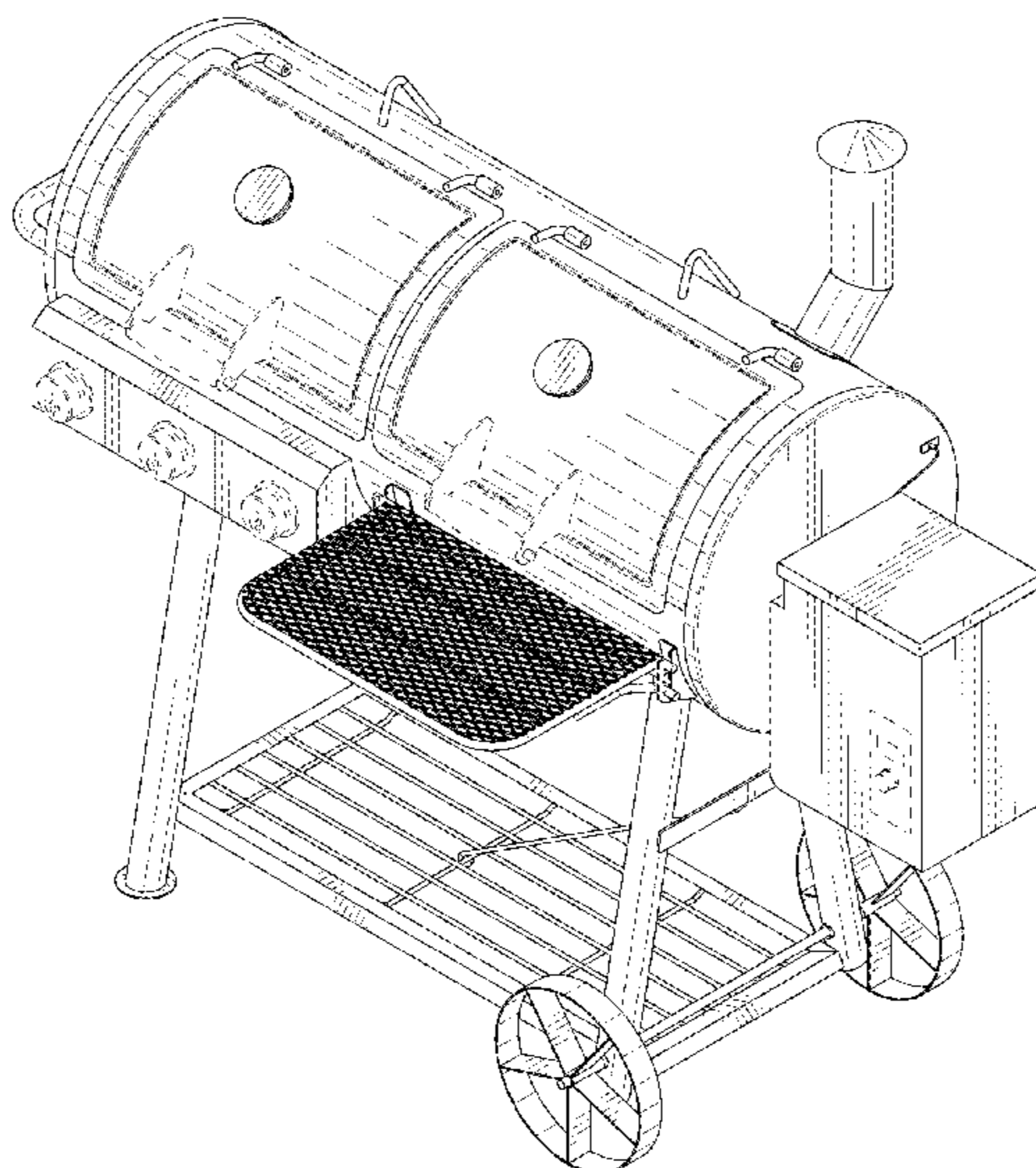
(57) **CLAIM**

The ornamental design for a dual function gas and pellet grill, as shown and described.

**DESCRIPTION**

FIG. 1 is a perspective view of the dual function gas and pellet grill;  
FIG. 2 is a front view thereof;  
FIG. 3 is a right side view thereof;  
FIG. 4 is a rear view thereof;  
FIG. 5 is a left side view thereof;  
FIG. 6 is a top view thereof; and,  
FIG. 7 is a bottom view thereof.  
The dashed broken lines in FIGS. 1 through 7 depict environmental subject matter only and form no part of the claimed design.

**1 Claim, 6 Drawing Sheets**



(56)

**References Cited**

U.S. PATENT DOCUMENTS

2008/0245357 A1 10/2008 Meether et al.  
2013/0298894 A1\* 11/2013 Kleinsasser ..... A47J 37/0704  
126/25 R  
2017/0065124 A1\* 3/2017 Colston ..... A47J 37/0704  
2017/0067649 A1\* 3/2017 Colston ..... A47J 37/0704  
2017/0196400 A1\* 7/2017 Colston ..... A47J 37/0704  
2017/0238761 A1\* 8/2017 Jungmeyer ..... A47J 37/0704  
2018/0168395 A1\* 6/2018 Colston ..... A47J 37/0704  
2018/0296031 A1\* 10/2018 Terrell, Jr. .... A47J 37/0704  
2018/0368618 A1\* 12/2018 Measom ..... A47J 37/0713

OTHER PUBLICATIONS

Traeger, Grill 2, webpage, Mar. 28, 2018, Traeger Grills.  
Traeger, Pellet Grill, webpage, Mar. 28, 2018, Traeger Grills.  
Yoder Smokers, Yoker Smoker, webpage, Mar. 28, 2018, Yoder Grills.  
Z Grills, Z Grills Grill, webpage, Mar. 28, 2018, Z Grills.  
Black Earth Grills, Black Earth Hybrid Grill, webpage, Mar. 28, 2018, Black Earth Grills.  
Camp Chef, Camp Chef Grill, webpage, Mar. 28, 2018, Camp Chef Grills.

\* cited by examiner

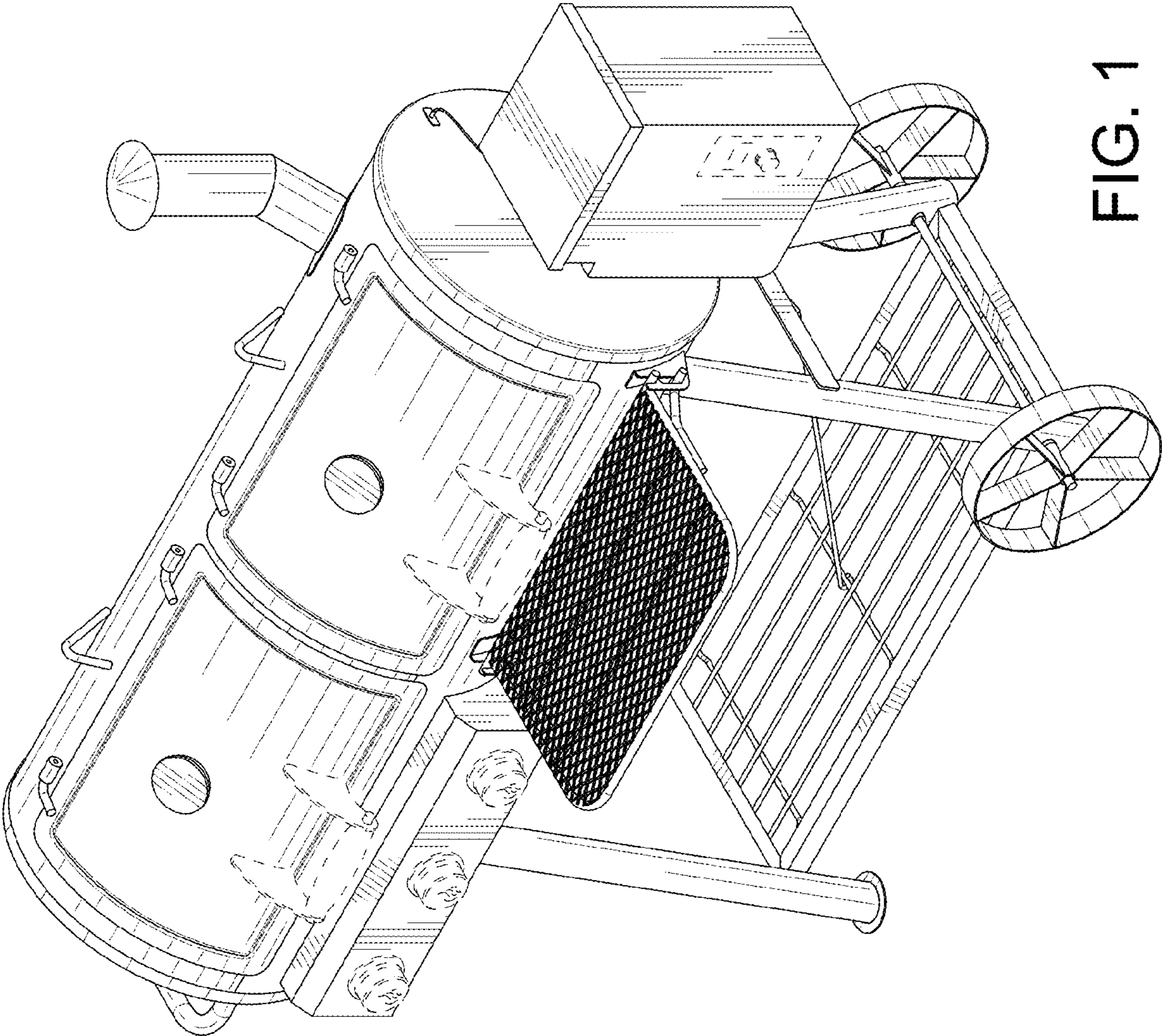


FIG. 1

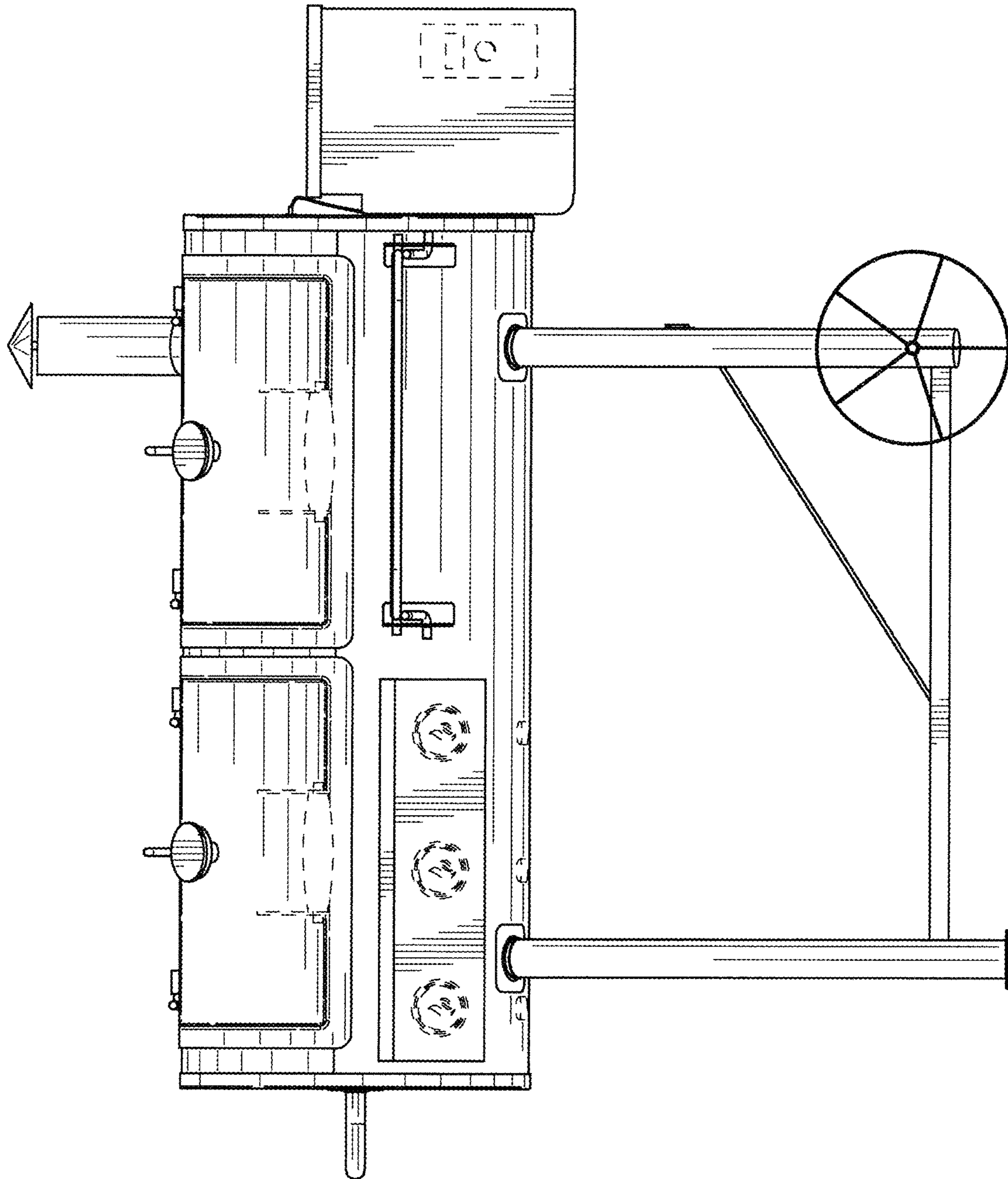


FIG. 2

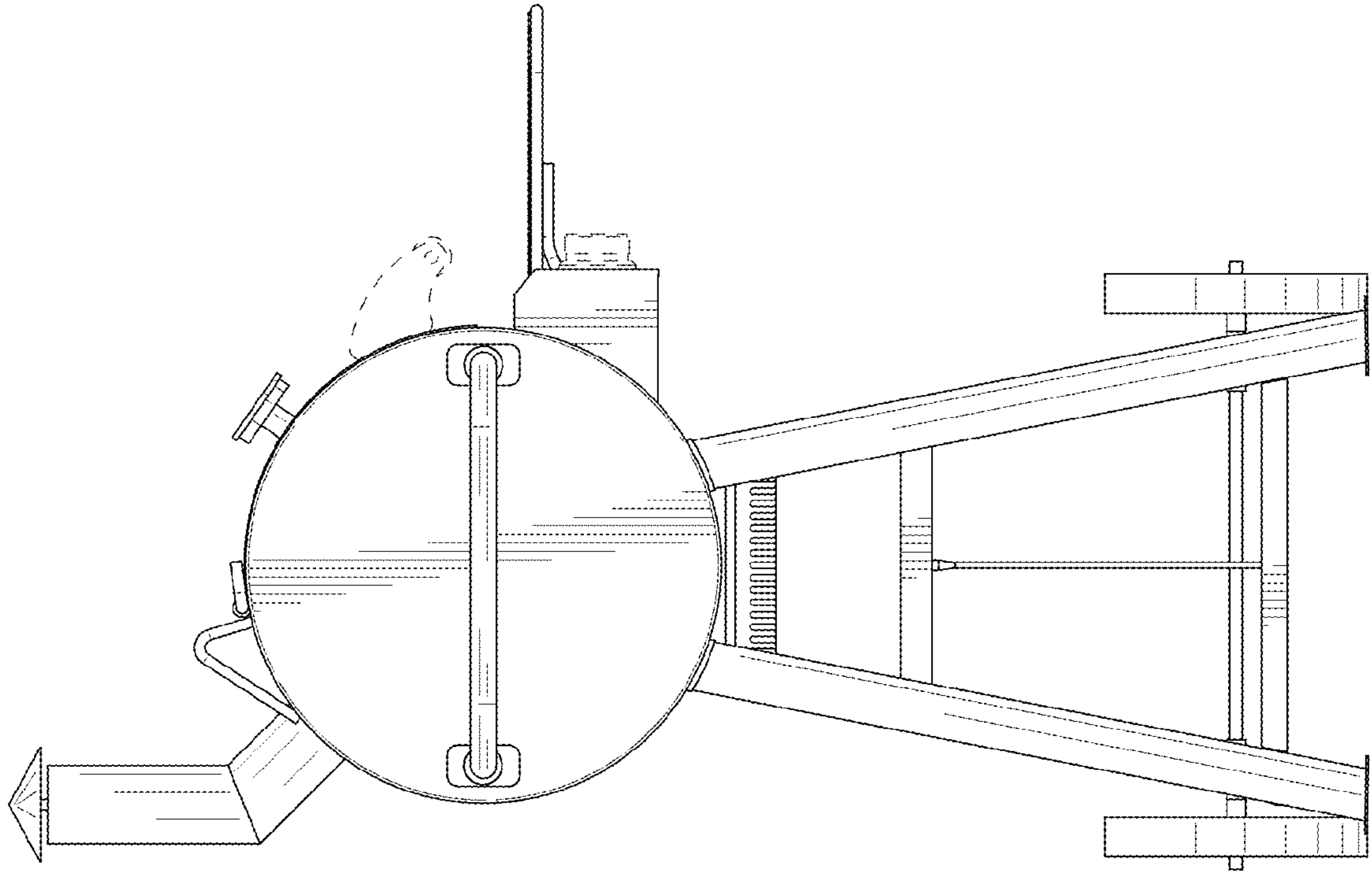


FIG. 5

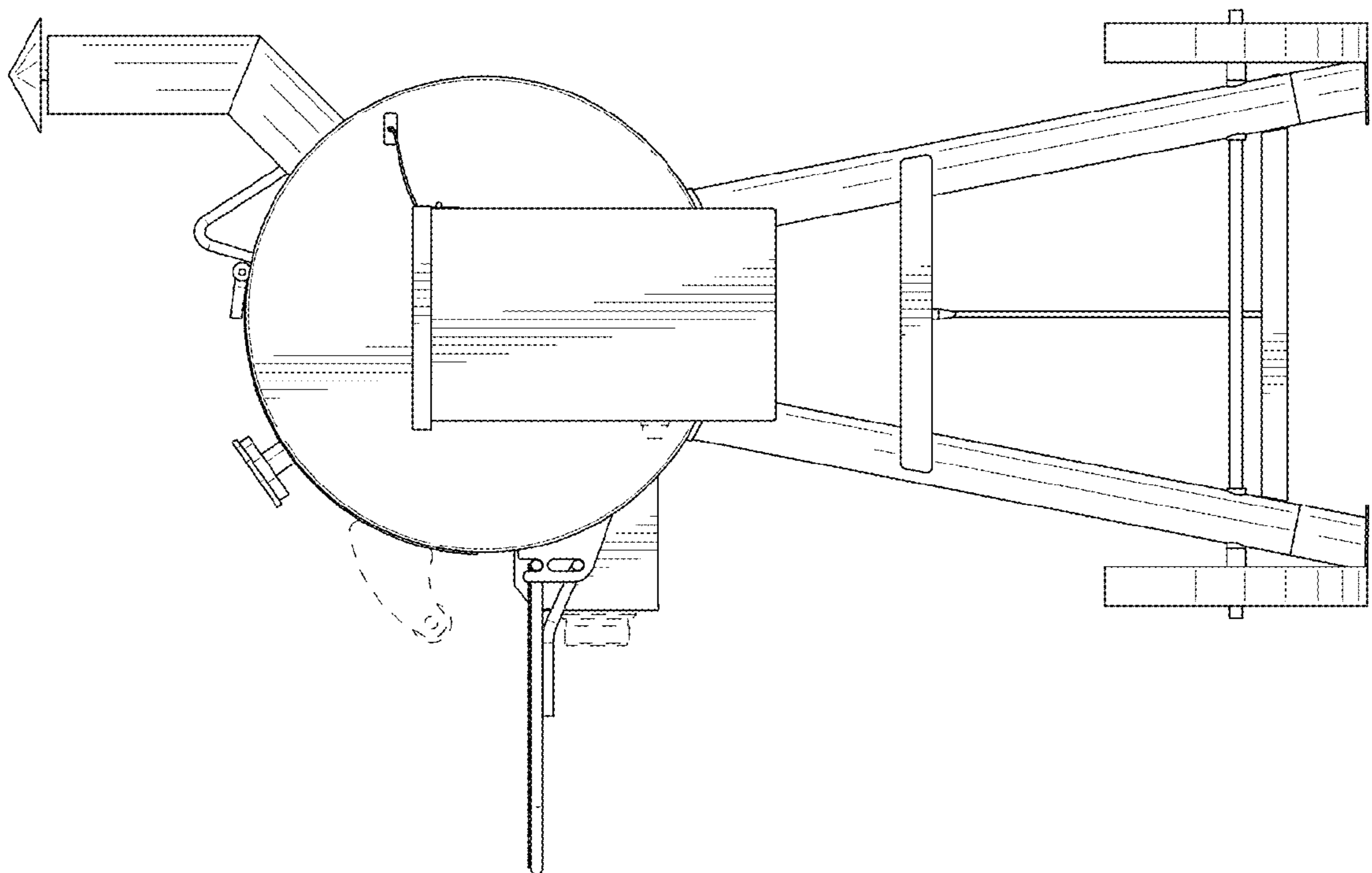


FIG. 3

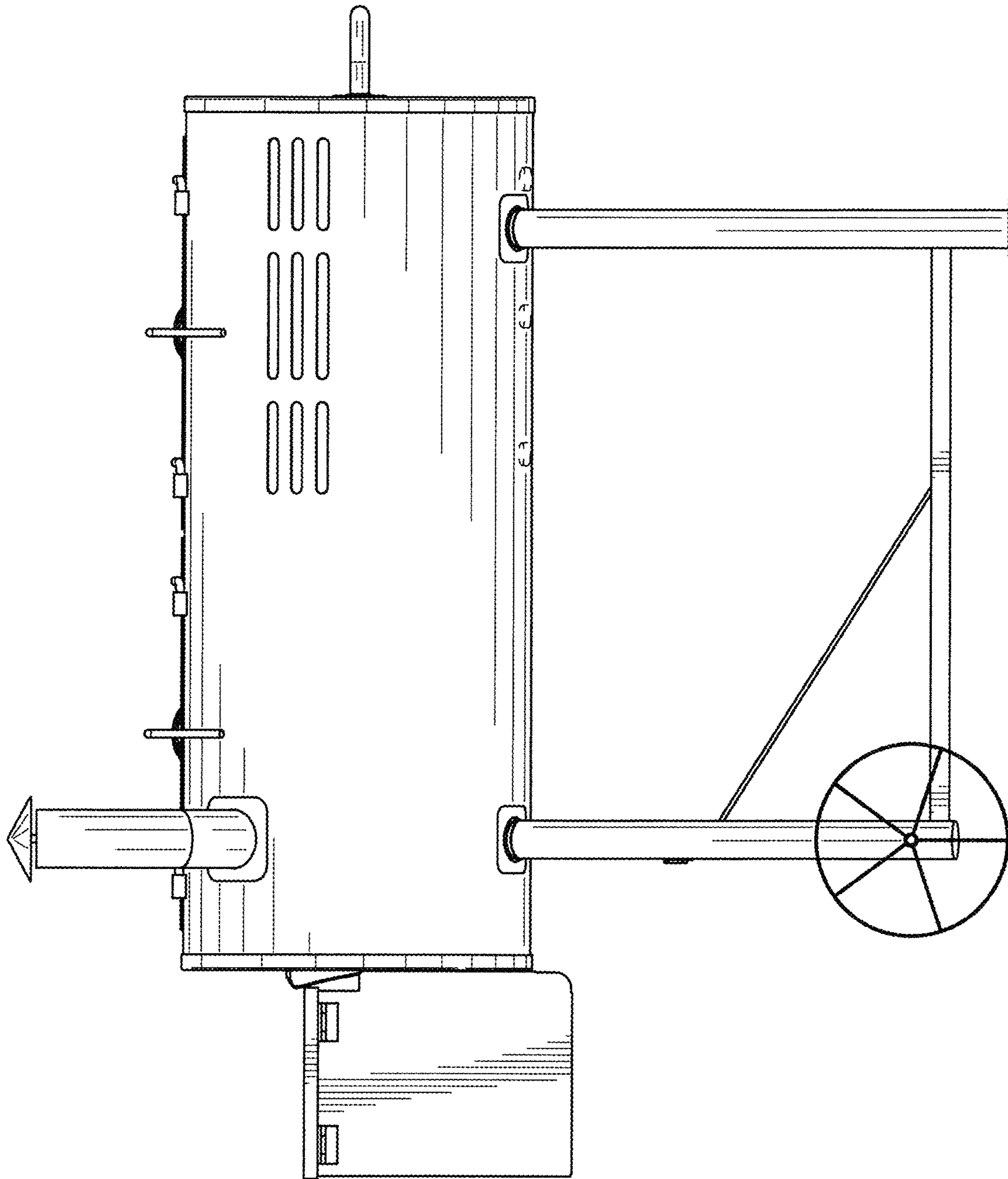


FIG. 4

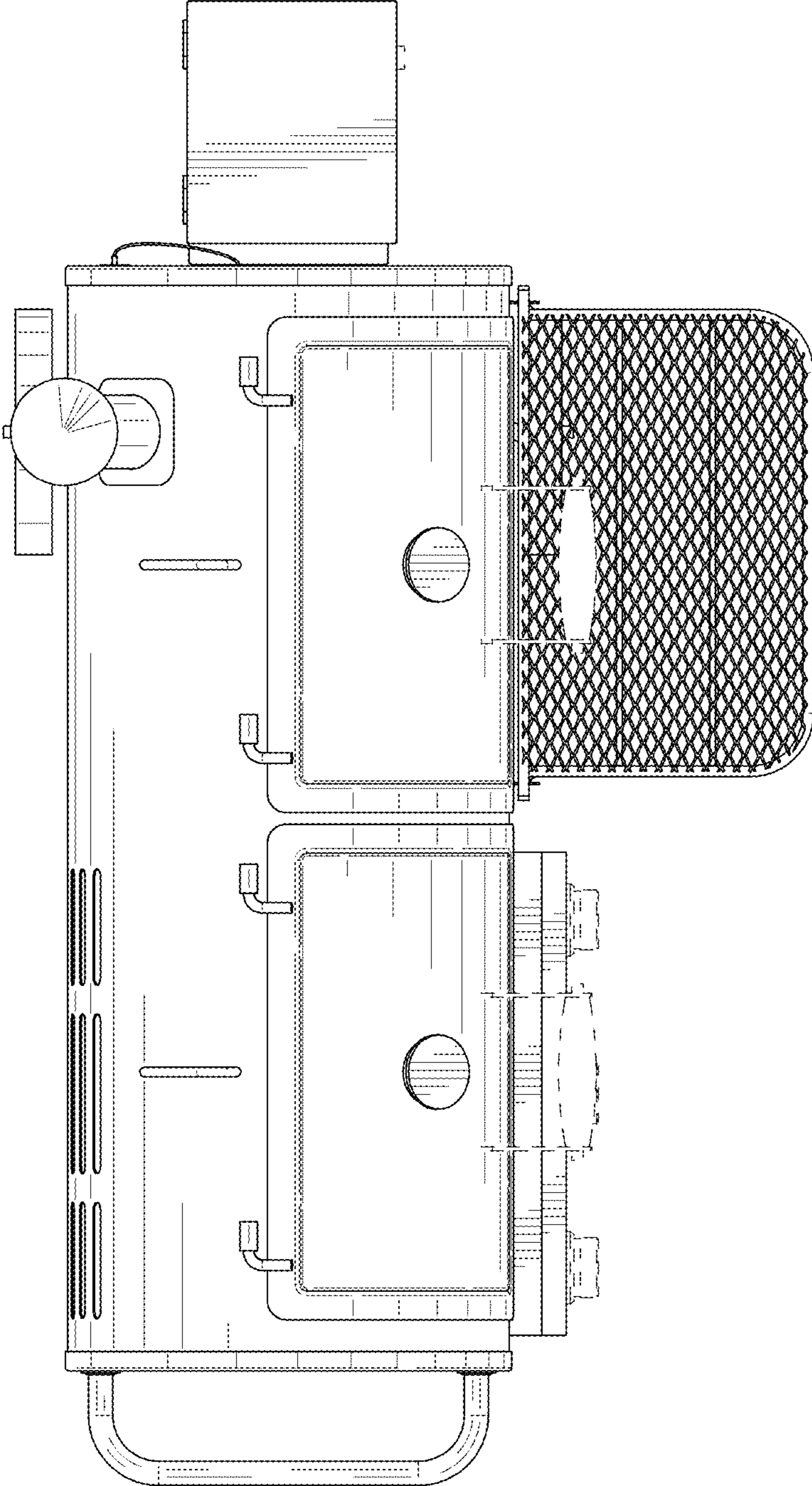


FIG. 6

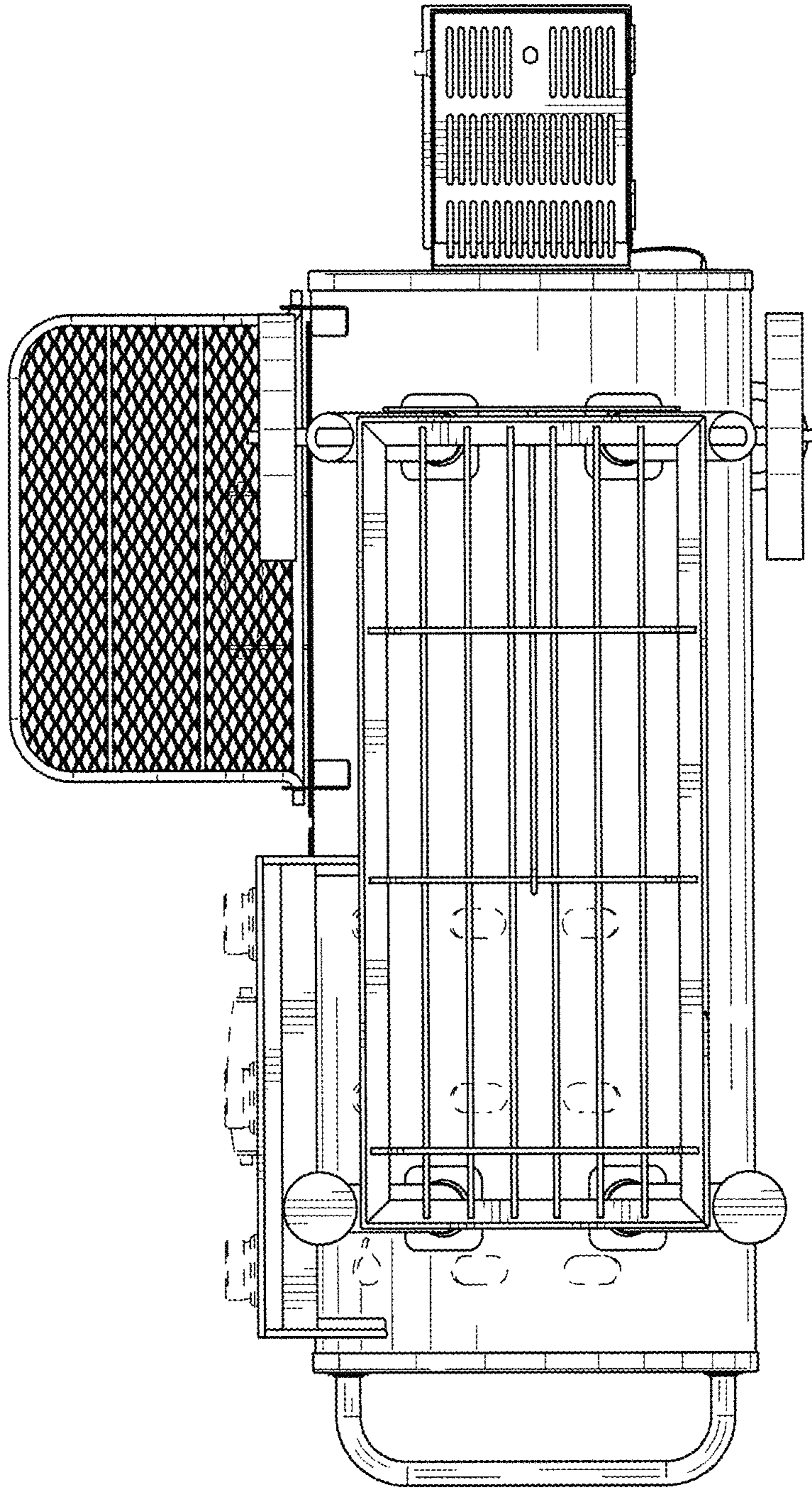


FIG. 7