



US00D871818S

(12) **United States Design Patent** (10) **Patent No.:** **US D871,818 S**
Squires et al. (45) **Date of Patent:** **** Jan. 7, 2020**

(54) **DISPENSER**
(71) Applicant: **Société des Produits Nestlé S.A.,**
Vevey (CH)
(72) Inventors: **Jerry Squires**, Thonotosassa, FL (US);
Juan Mola, Thonotosassa, FL (US);
Joshua Cox, Thonotosassa, FL (US);
Richard Baron, Thonotosassa, FL
(US); **Steven Garbee**, Thonotosassa, FL
(US)
(73) Assignee: **Société des Produits Nestlé S.A.,**
Vevey (CH)
(**) Term: **15 Years**
(21) Appl. No.: **29/635,040**
(22) Filed: **Jan. 26, 2018**
(51) **LOC (12) Cl.** **07-01**
(52) **U.S. Cl.**
USPC **D7/307; D7/308; D7/311**
(58) **Field of Classification Search**
USPC D7/300, 309–311, 306–308, 305, 397,
D7/355, 362, 365, 367, 399; 222/146.6,
222/185.1, 135; 99/295, 273, 304, 288,
99/279, 307, 283; D20/4; D23/207, 209
CPC A47J 31/46; A47J 31/407; A47J 31/50;
A47J 31/18; A47J 31/00; A47J 27/04;
A47J 31/0573; A47J 31/52
See application file for complete search history.

(56) **References Cited**
U.S. PATENT DOCUMENTS
D206,519 S * 12/1966 Wolfe D7/308
D261,390 S * 10/1981 Harvill D7/307
D272,975 S * 3/1984 Miller D7/309
D335,062 S * 4/1993 Kolada D15/80
D368,617 S * 4/1996 Jackson D7/306

D408,206 S * 4/1999 Stafford D7/306
D451,748 S * 12/2001 Holderfield D7/307
D453,088 S * 1/2002 Bell D7/307
D461,675 S * 8/2002 Kemper D7/307
D510,675 S * 10/2005 Ball D7/306
D553,416 S * 10/2007 Lin D7/306
D555,968 S * 11/2007 Pfeifer D7/306
D576,440 S * 9/2008 Ghassemian D7/306
D600,062 S * 9/2009 Lavy D7/309
D604,087 S * 11/2009 Lavy D7/309
D658,423 S * 5/2012 Curtis D7/306
D669,154 S * 10/2012 Choi D23/207
D697,356 S * 1/2014 Choi D23/207
D699,501 S * 2/2014 Arora D7/307
D702,237 S * 4/2014 Oberpriller D14/420
D717,911 S * 11/2014 Moon D23/207
D776,970 S * 1/2017 Broen D7/307
D786,603 S * 5/2017 Palermo D7/306
D789,133 S * 6/2017 Gnadinger D7/307

(Continued)

Primary Examiner — Marianne N Pandozzi
(74) *Attorney, Agent, or Firm* — Finnegan, Henderson,
Farabow, Garrett & Dunner LLP

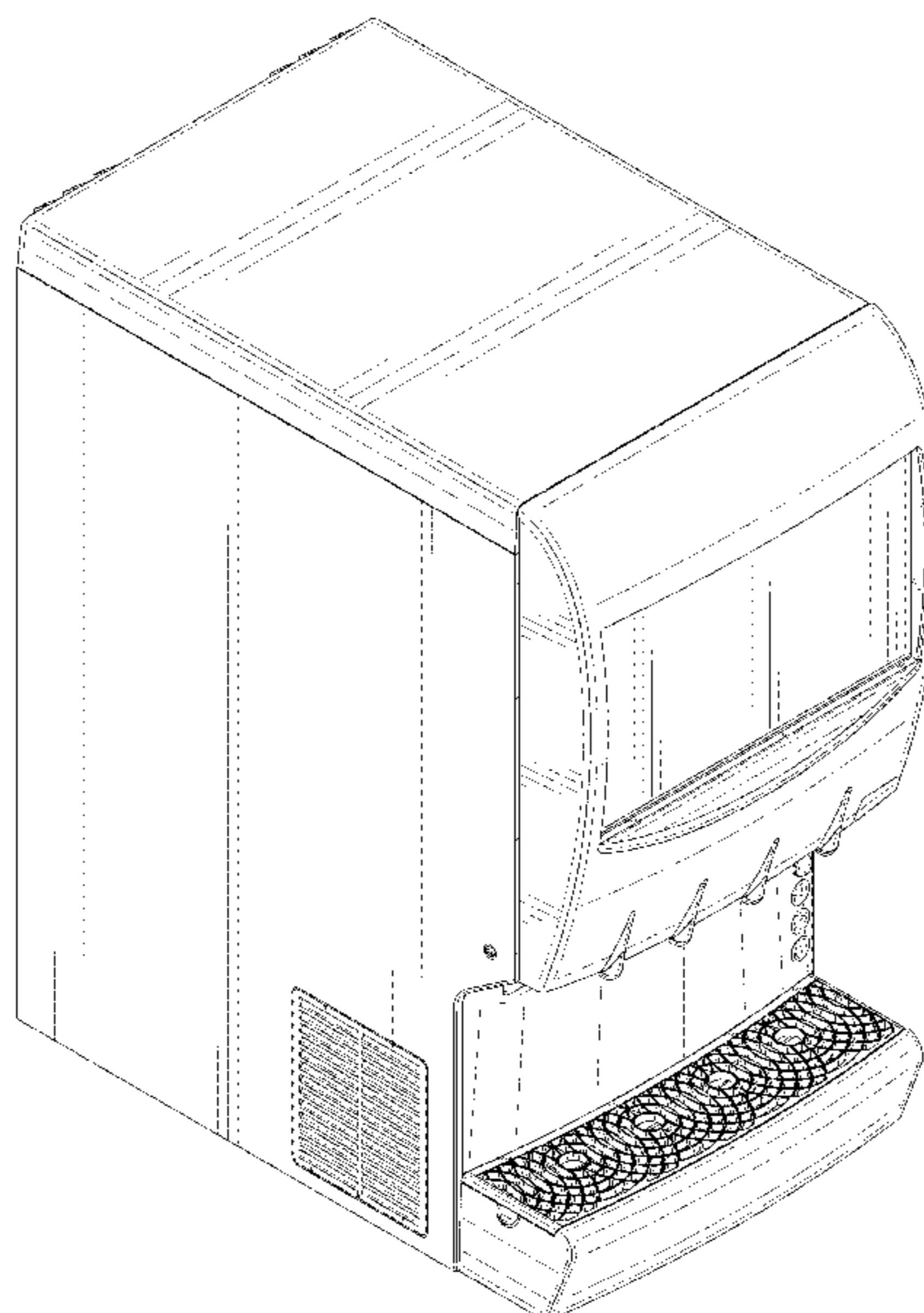
(57) **CLAIM**

The ornamental design for a dispenser, as shown and described.

DESCRIPTION

FIG. 1 is a top front, left perspective view of a dispenser showing our new design;
FIG. 2 is a top front, right perspective view thereof;
FIG. 3 is a front elevation view thereof;
FIG. 4 is a rear elevation view thereof
FIG. 5 is a left side view thereof;
FIG. 6 is a right side view thereof;
FIG. 7 is a top plan view thereof; and,
FIG. 8 is a bottom plan view thereof.
The even spaced broken lines in the drawing depict portions of the dispenser that form no part of the claimed design.

1 Claim, 8 Drawing Sheets



(56)

References Cited

U.S. PATENT DOCUMENTS

D791,533 S * 7/2017 Bond D7/309
D799,880 S * 10/2017 Broen D7/307
D822,154 S * 7/2018 Lee D23/207
D825,243 S * 8/2018 Yoon D7/308
D838,529 S * 1/2019 Gnadinger D7/307
D838,530 S * 1/2019 Gnadinger D7/307
D838,540 S * 1/2019 Gnadinger D7/397
D842,428 S * 3/2019 Choi D23/207
D847,553 S * 5/2019 Olaya D7/307
D848,195 S * 5/2019 Broen D7/307
2012/0222999 A1 * 9/2012 Ha C02F 1/008
210/175
2017/0057802 A1 * 3/2017 Lee B67D 1/0085

* cited by examiner

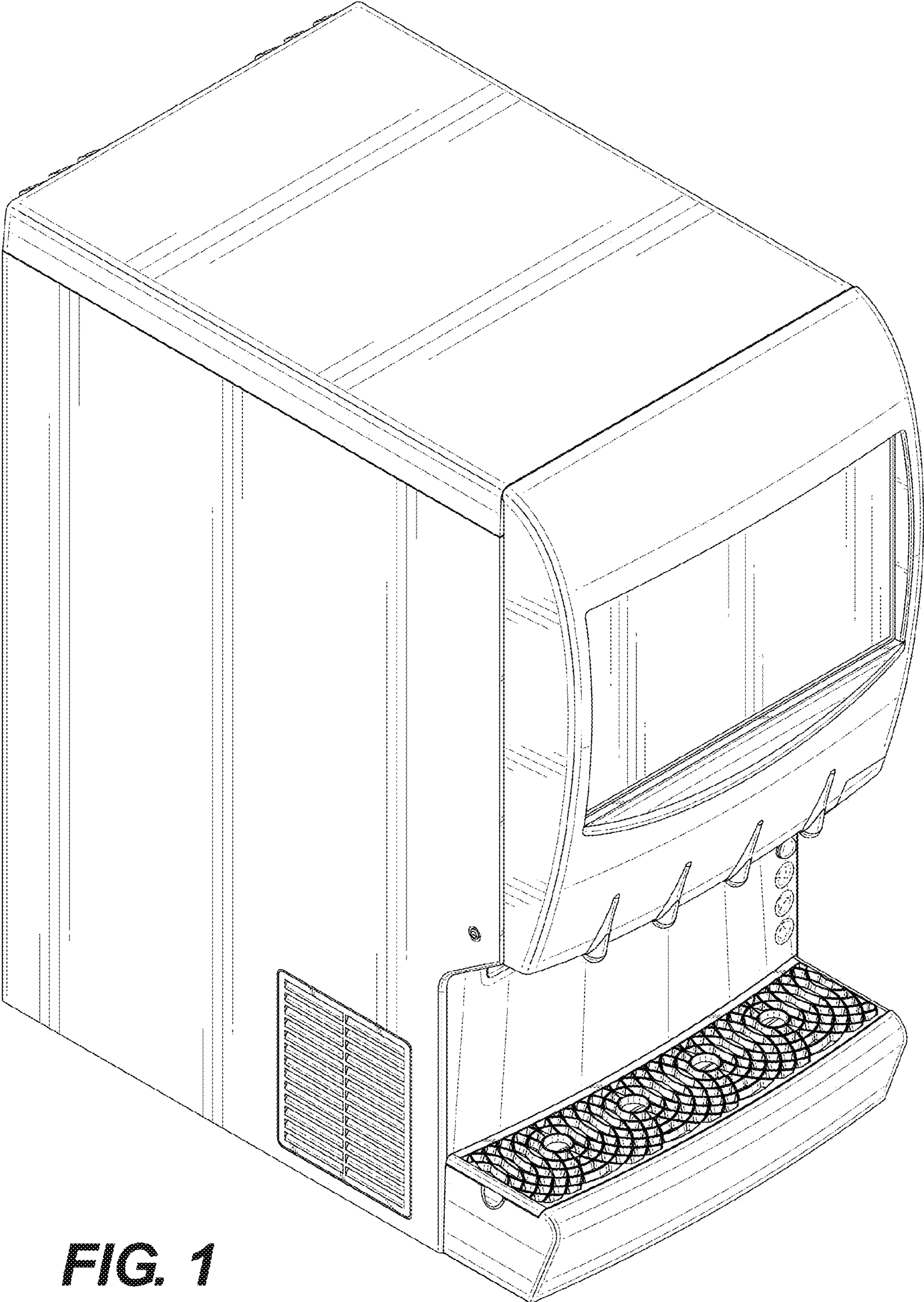


FIG. 1

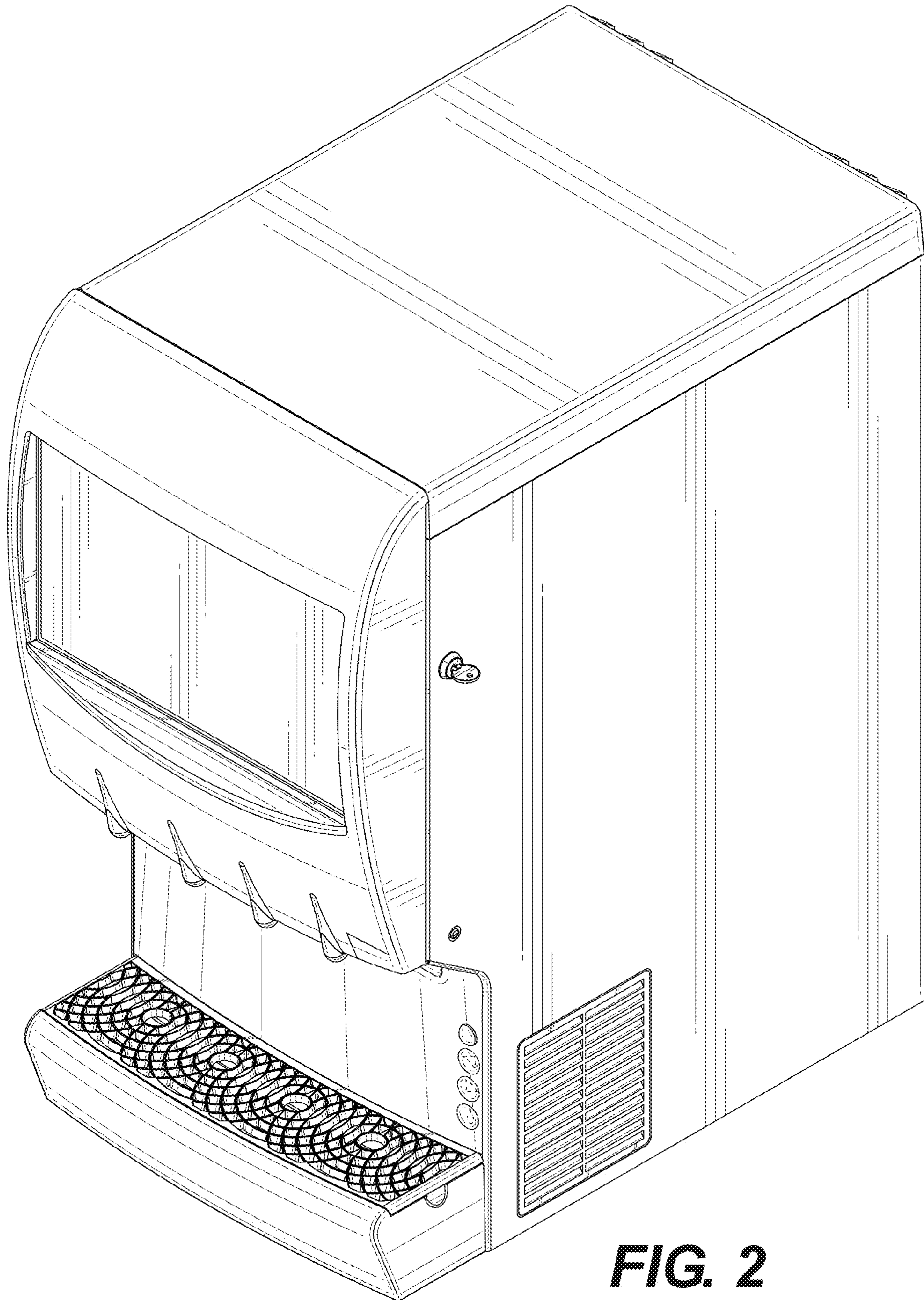


FIG. 2

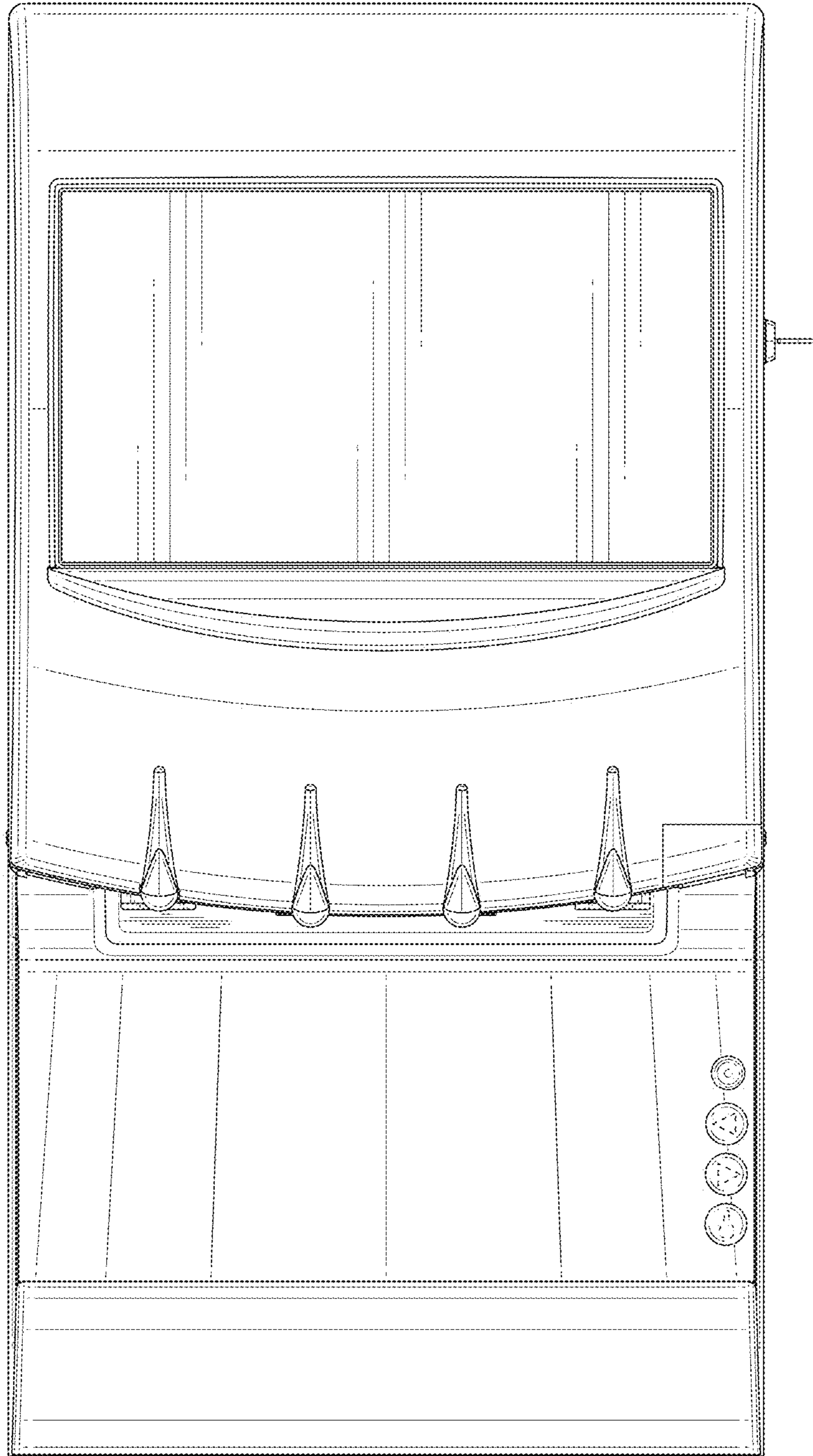


FIG. 3

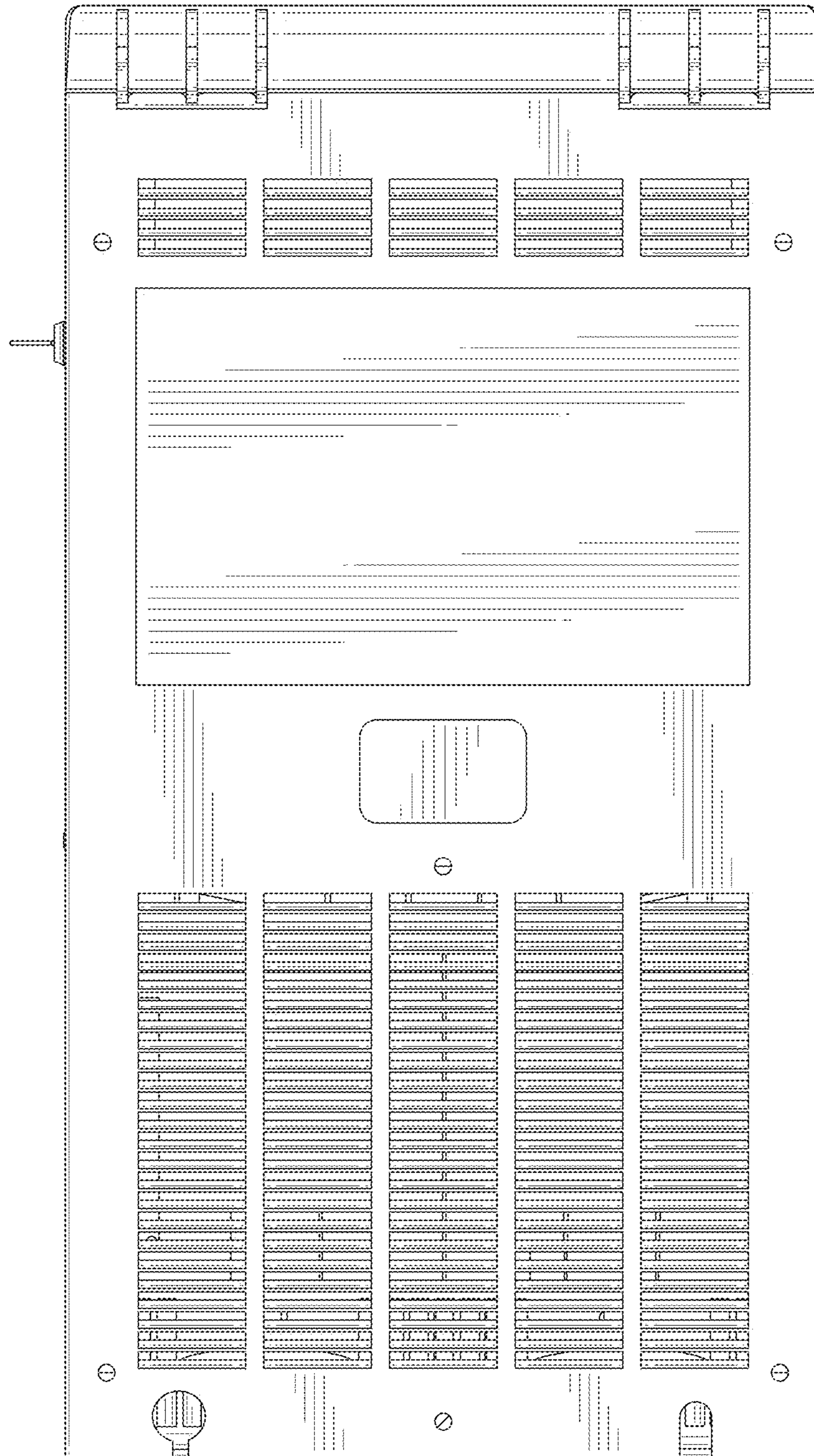


FIG. 4

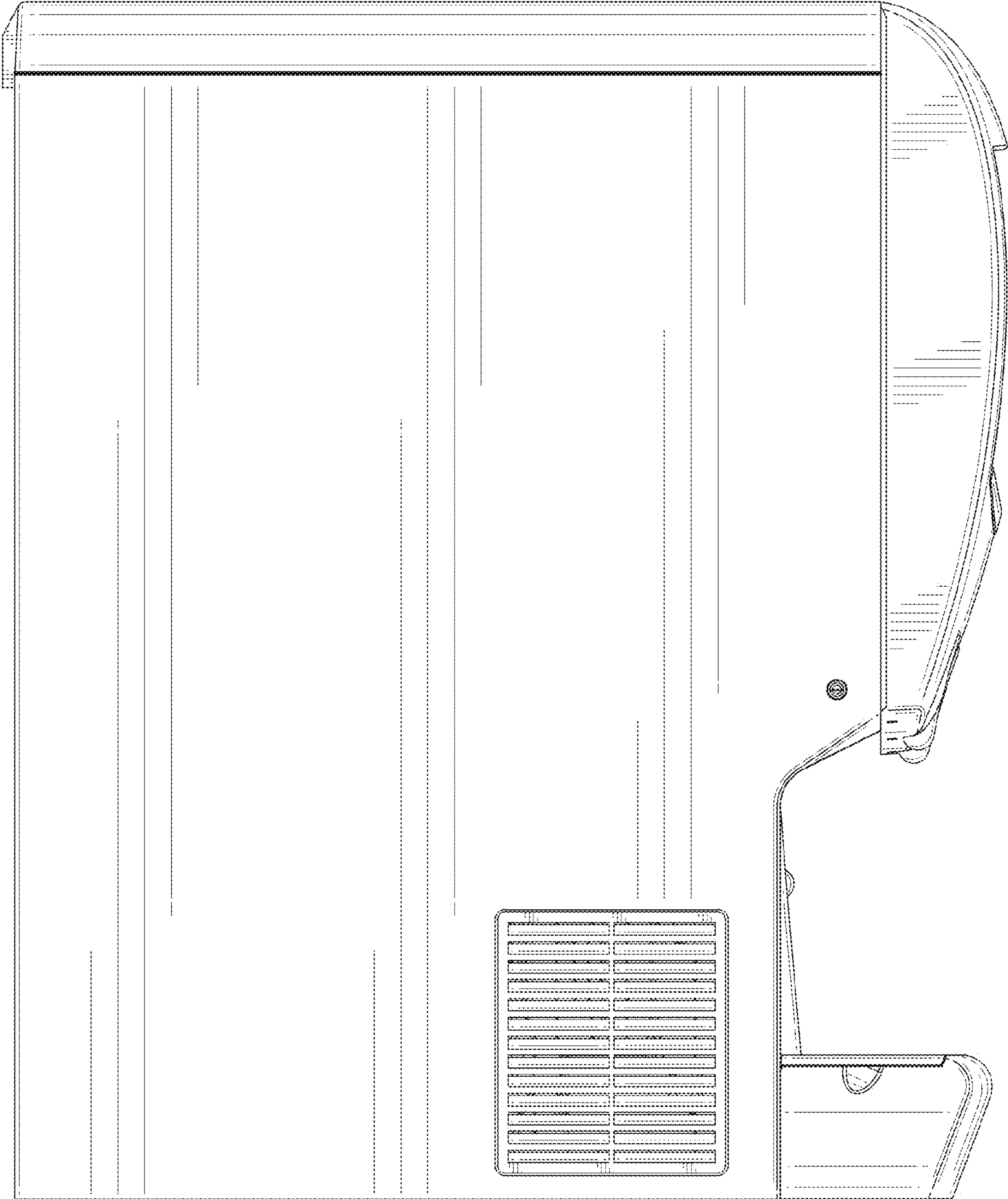


FIG. 5

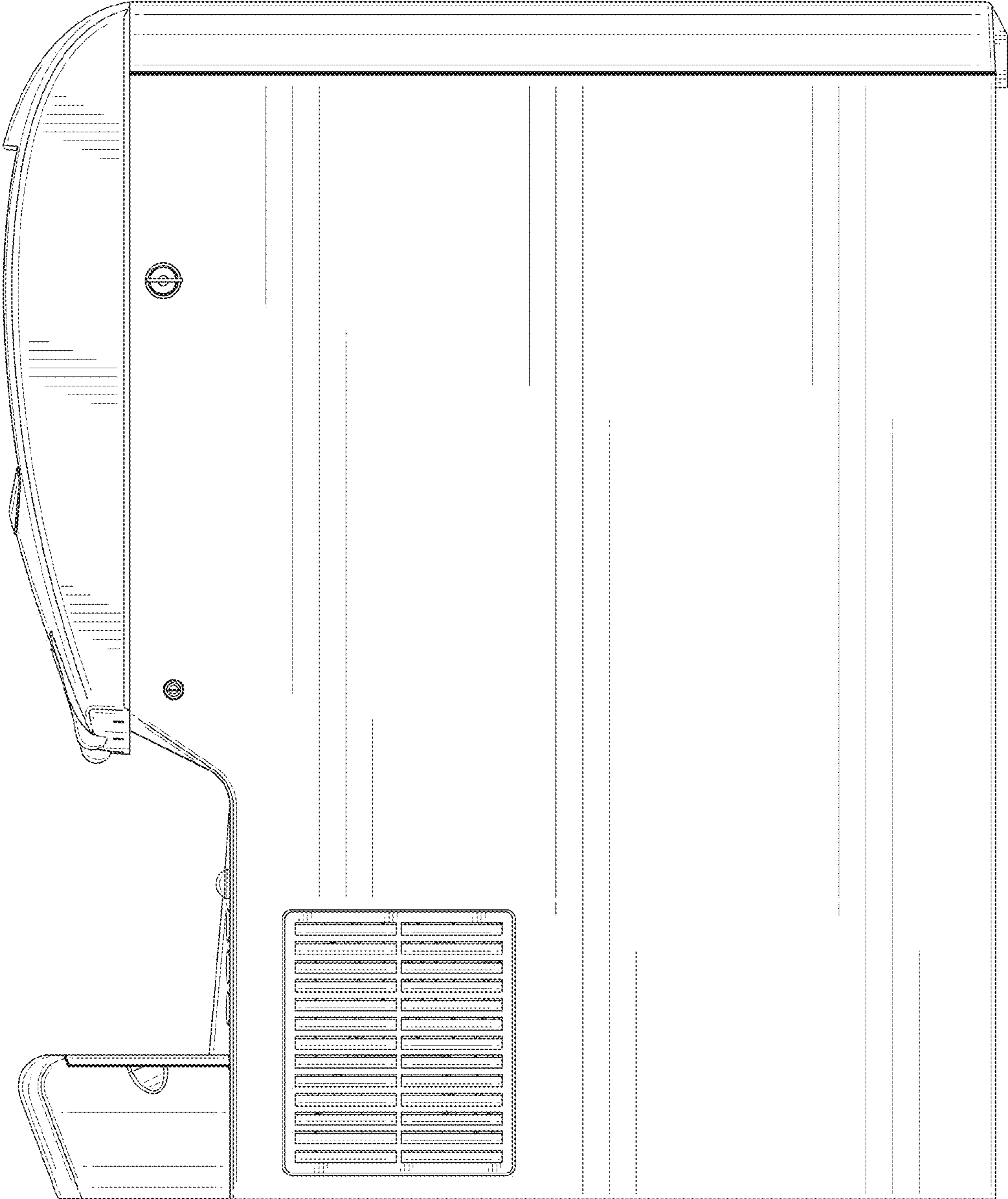


FIG. 6

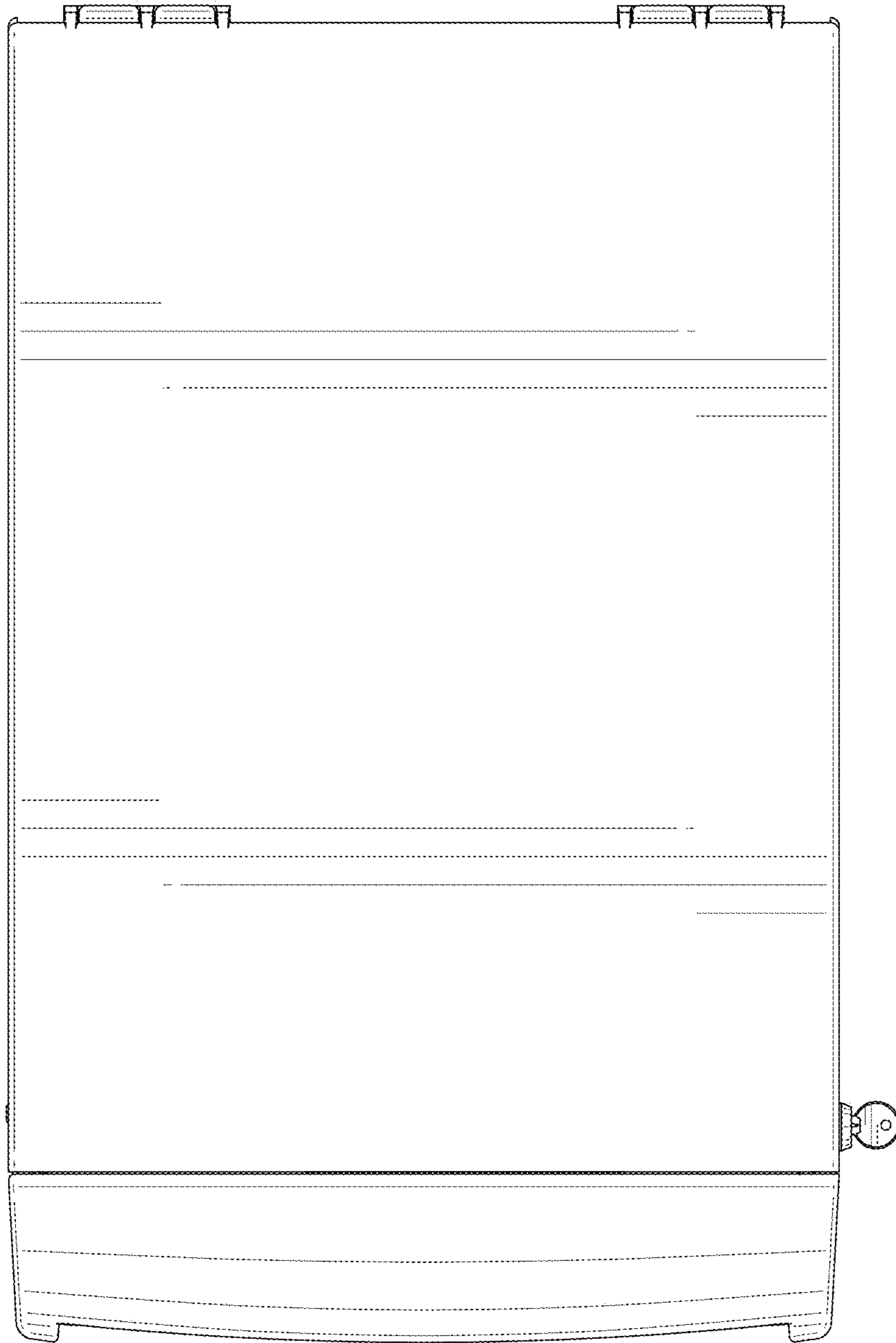


FIG. 7

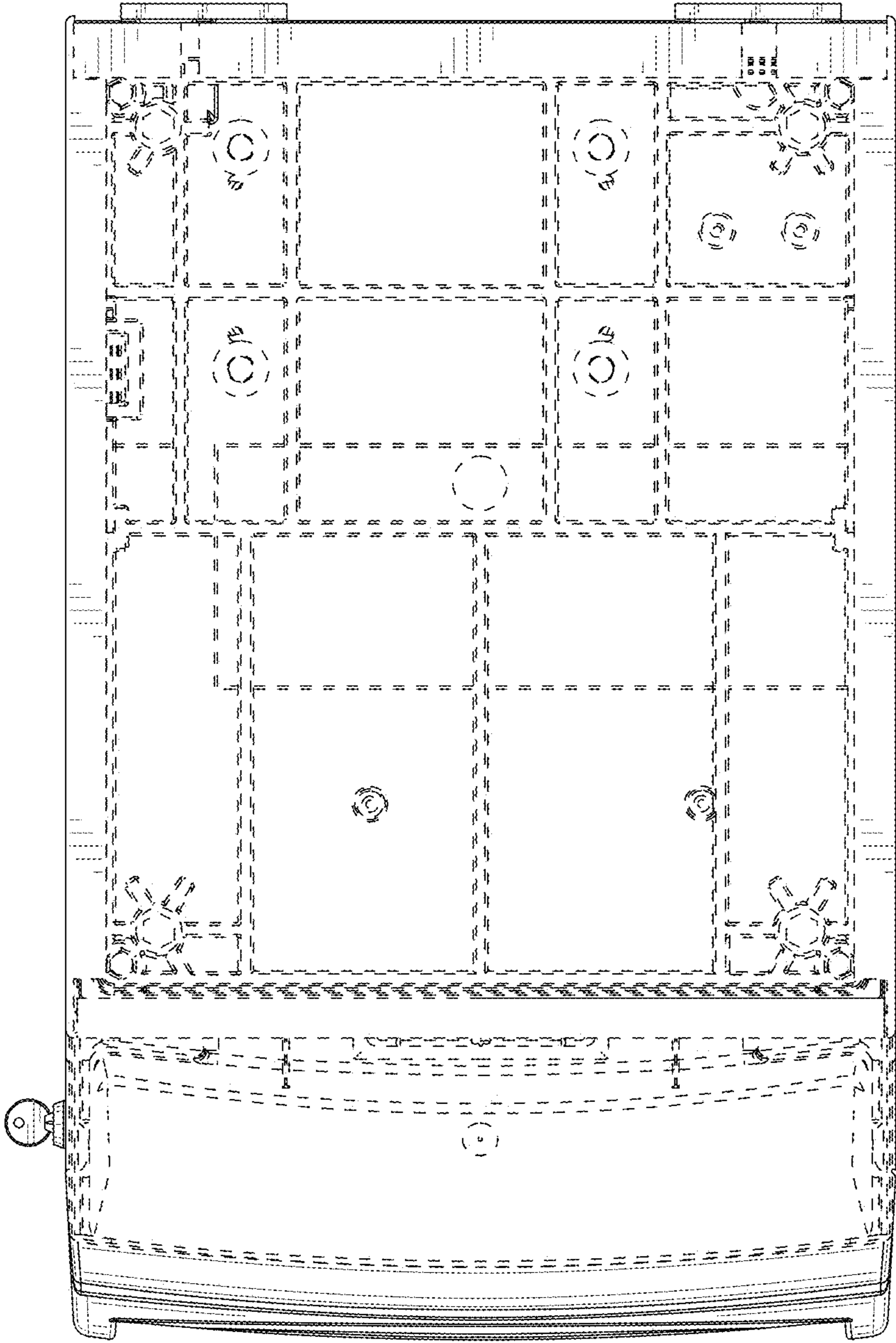


FIG. 8