

US00D871816S

(12) **United States Design Patent** (10) **Patent No.:** **US D871,816 S**  
**Eisen** (45) **Date of Patent:** **\*\* Jan. 7, 2020**

(54) **DECANTER**

(71) Applicant: **VitaJuwel GmbH, Scheidegg (DE)**

(72) Inventor: **Ewald Eisen, Scheidegg (DE)**

(73) Assignee: **VitaJuwel GmbH, Scheidegg (DE)**

(\*\*) Term: **15 Years**

(21) Appl. No.: **29/601,138**

(22) Filed: **Apr. 19, 2017**

(30) **Foreign Application Priority Data**

Oct. 19, 2016 (EM) ..... 003425164-0001  
Oct. 19, 2016 (EM) ..... 003425164-0002  
Oct. 19, 2016 (EM) ..... 003425164-0003  
Oct. 19, 2016 (EM) ..... 003425164-0004

(51) **LOC (12) Cl.** ..... **07-01**

(52) **U.S. Cl.**  
USPC ..... **D7/300.1; D7/316; D7/598**

(58) **Field of Classification Search**  
USPC ..... D7/505, 507, 509, 510, 511, 523, 532,  
D7/608, 300.1, 213, 392.1, 396.2, 387,  
D7/396.6, 624.1, 624.2, 1, 300, 598, 316,  
D7/599, 312; D9/500, 501, 502, 503,  
D9/504, 505, 516, 530, 556, 569, 537,  
D9/549, 557; D14/216, 221, 204, 209.1,  
D14/215, 217, 212  
CPC . A47G 19/2205; A47G 19/2272; A47J 43/27;  
A47J 41/02; A45F 3/16  
See application file for complete search history.

(56) **References Cited**

**U.S. PATENT DOCUMENTS**

D182,852 S \* 5/1958 Russell ..... D7/316  
D283,287 S \* 4/1986 Bosteels ..... D11/154  
D300,107 S \* 3/1989 Trombly ..... D7/317  
D435,996 S \* 1/2001 Joergensen ..... D7/317  
D474,406 S \* 5/2003 Kaposi ..... D7/598

D485,584 S \* 1/2004 Lovullo ..... D21/402  
D488,385 S \* 4/2004 Ungrady ..... D9/500  
D551,014 S \* 9/2007 Huang ..... D7/317  
D560,445 S \* 1/2008 Tardif ..... D7/679  
D570,690 S \* 6/2008 McGuinness ..... D9/504  
D587,060 S \* 2/2009 Tong Chi Chung ..... D7/317  
D602,358 S \* 10/2009 Eisen ..... D9/500  
D602,360 S \* 10/2009 Eisen ..... D9/500  
D635,403 S \* 4/2011 Conway ..... D11/152  
D646,932 S \* 10/2011 Melms, Jr. .... D7/598  
D655,967 S \* 3/2012 Bodum ..... D7/300.1

(Continued)

**OTHER PUBLICATIONS**

[https://www.amazon.com/Riedel-Magnum-Decanter-81-1-Ounce/dp/B000RHM29S/ref=sr\\_1\\_3?ie=UTF8&qid=1548884819&sr=8-3&keywords=RIEDEL+Decanter+O+Magnum](https://www.amazon.com/Riedel-Magnum-Decanter-81-1-Ounce/dp/B000RHM29S/ref=sr_1_3?ie=UTF8&qid=1548884819&sr=8-3&keywords=RIEDEL+Decanter+O+Magnum) Riedel Feb. 3, 2012\*

*Primary Examiner* — Jae Liang  
(74) *Attorney, Agent, or Firm* — Dicke, Billig & Czaja, PLLC

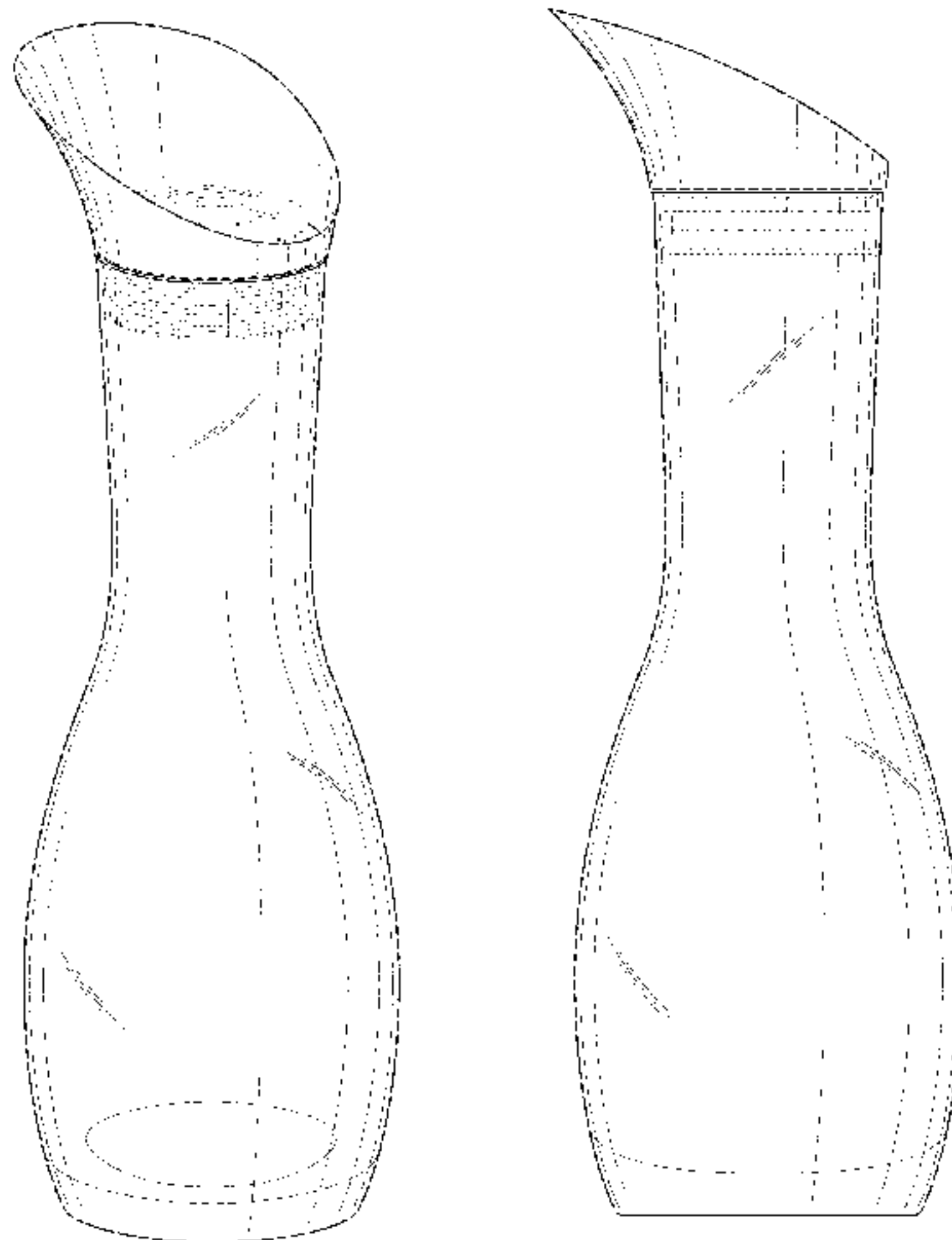
(57) **CLAIM**

The ornamental design for a decanter, as shown and described.

**DESCRIPTION**

FIG. 1 is a front perspective view of one embodiment of a decanter showing my new design;  
FIG. 2 is a front view thereof;  
FIG. 3 is a rear view thereof;  
FIG. 4 is a left side view thereof, the right side view being a mirror image thereof;  
FIG. 5 is a top view thereof; and,  
FIG. 6 is a bottom view thereof.  
The broken lines in the drawings depict portions of the decanter that form no part of the claimed design. Broken lines may show structure that is not part of the claimed design; but used to show environment in which the design is used. The views or portions of the decanter not illustrated form no part of the claimed design.

**1 Claim, 6 Drawing Sheets**



(56)

References Cited

U.S. PATENT DOCUMENTS

D661,939 S \* 6/2012 Kern ..... D7/316  
 D665,231 S \* 8/2012 Pola ..... D7/507  
 D670,134 S \* 11/2012 Di Lollo ..... D7/300.1  
 D671,786 S \* 12/2012 Lin ..... D7/300.1  
 D679,599 S \* 4/2013 Becker ..... D9/500  
 D683,184 S \* 5/2013 Lin ..... D7/316  
 D683,220 S \* 5/2013 Rodriguez ..... D9/500  
 D685,218 S \* 7/2013 Willat ..... D7/316  
 D687,259 S \* 8/2013 Hauser ..... D7/376  
 D693,628 S \* 11/2013 Tavenner ..... D7/392.1  
 D701,727 S \* 4/2014 Gilbert ..... D7/300.1  
 D711,180 S \* 8/2014 Villa ..... D7/300.1  
 D725,473 S \* 3/2015 Paredes ..... D9/500  
 D728,297 S \* 5/2015 Melzer ..... D7/300.1  
 D728,316 S \* 5/2015 Breit ..... D7/598  
 D739,737 S \* 9/2015 Paredes ..... D9/500  
 D751,331 S \* 3/2016 Rashid ..... D7/316  
 9,352,883 B2 \* 5/2016 Tavenner ..... A47G 19/12  
 D776,483 S \* 1/2017 Chitayat ..... D7/507  
 D795,697 S \* 8/2017 Reggiani ..... D28/76  
 D805,917 S \* 12/2017 Teller ..... D9/686  
 D806,829 S \* 1/2018 Kremerman ..... D23/207  
 D812,980 S \* 3/2018 Buzzard ..... D7/598  
 D814,306 S \* 4/2018 Cukman ..... D9/551  
 D817,062 S \* 5/2018 Buzzard ..... D7/316  
 D824,259 S \* 7/2018 Elias ..... D9/503  
 D827,363 S \* 9/2018 Matsui ..... D7/392.1  
 D832,711 S \* 11/2018 McGreevy ..... D9/542  
 2013/0301378 A1 \* 11/2013 Junker ..... B01F 7/00583  
 366/241  
 2014/0151390 A1 \* 6/2014 Kohler ..... A47G 19/12  
 220/825

\* cited by examiner

Fig. 1

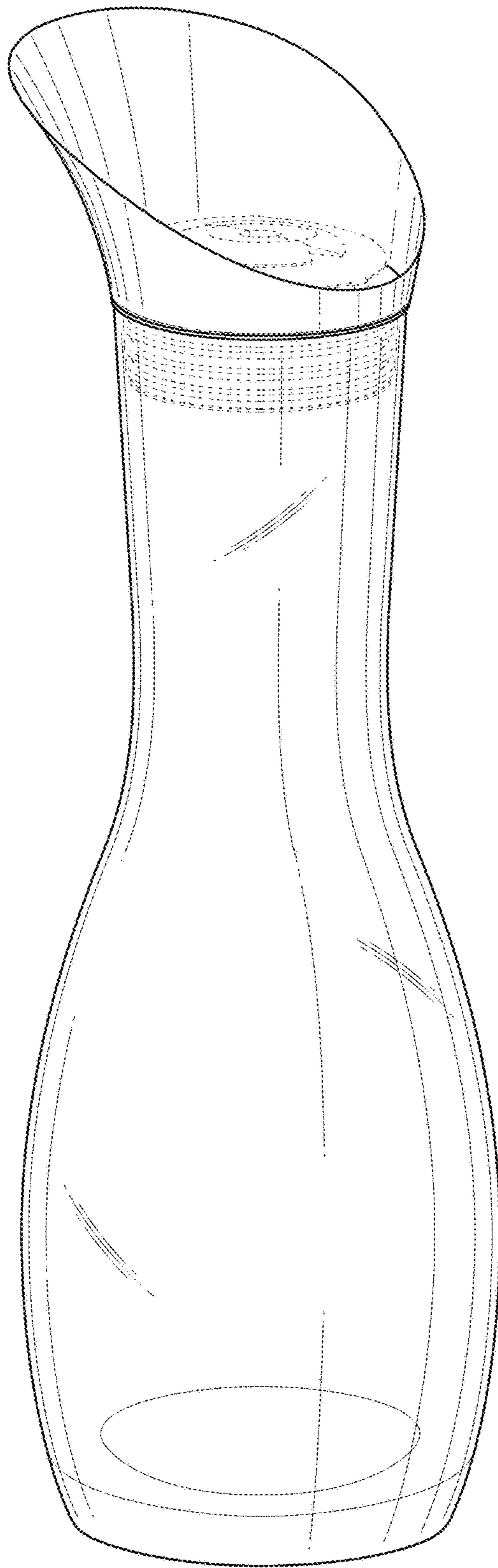


Fig. 2

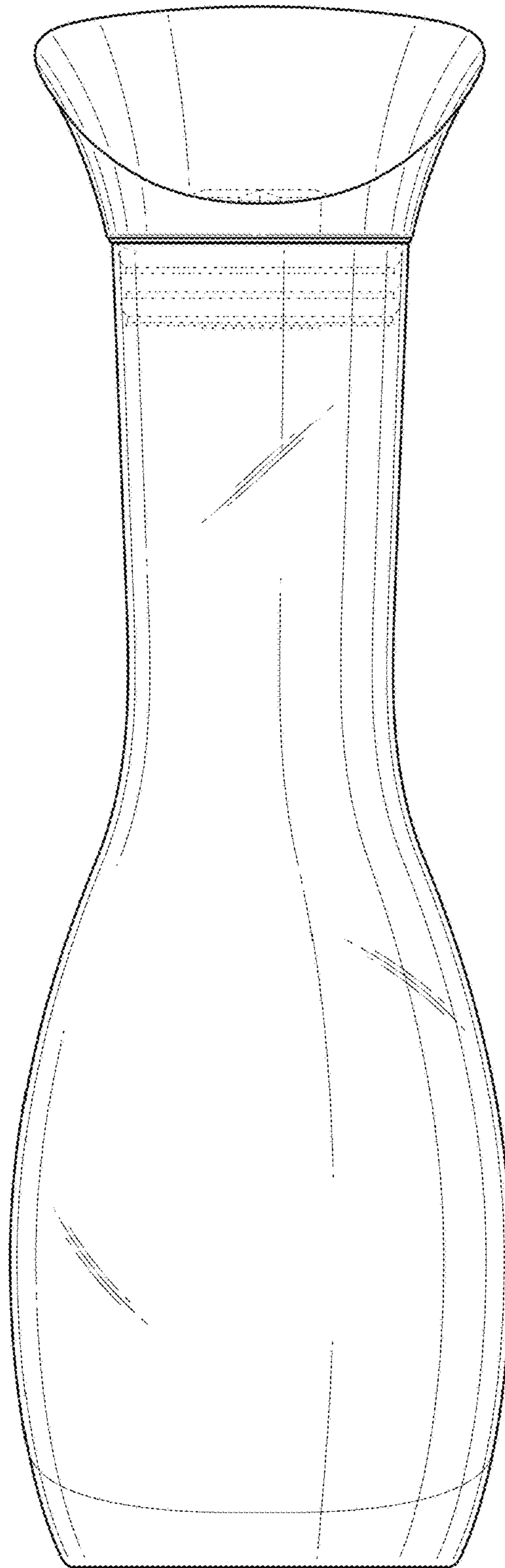


Fig. 3

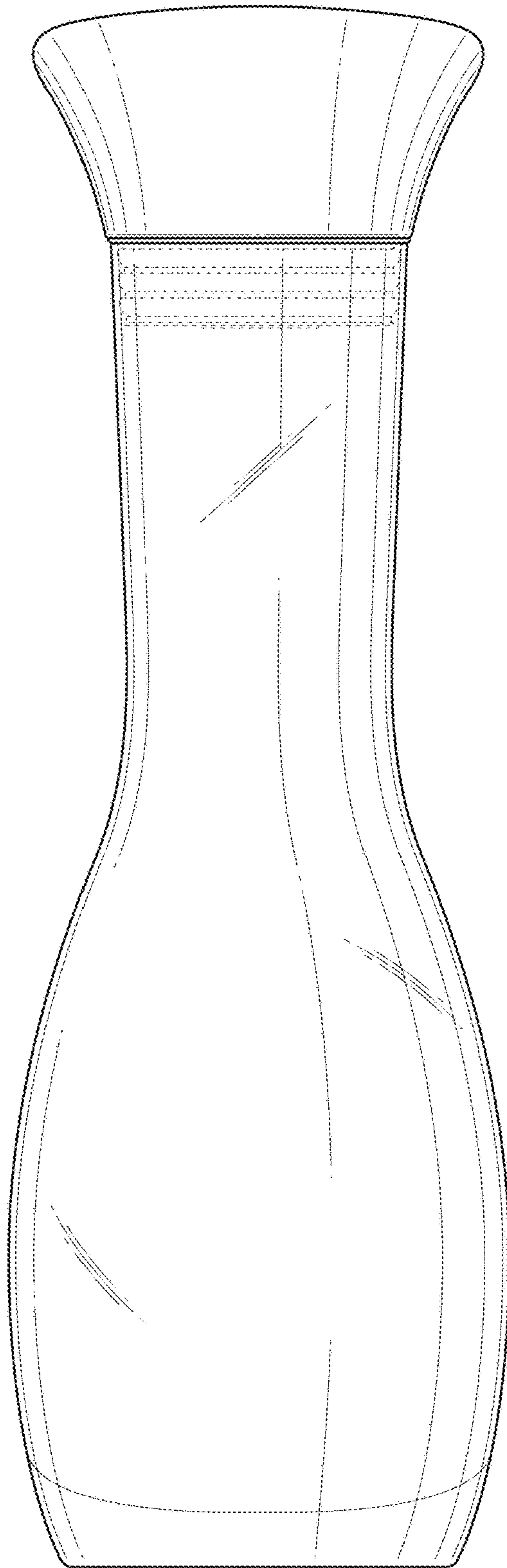




Fig. 4

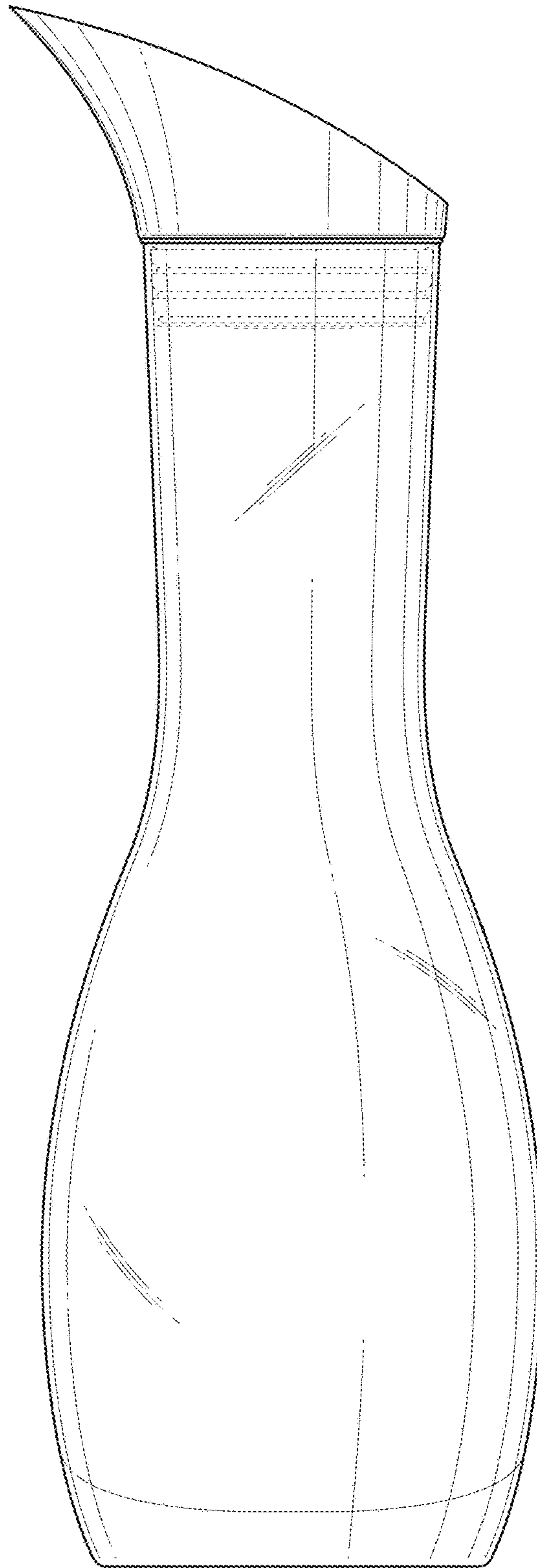


Fig. 5

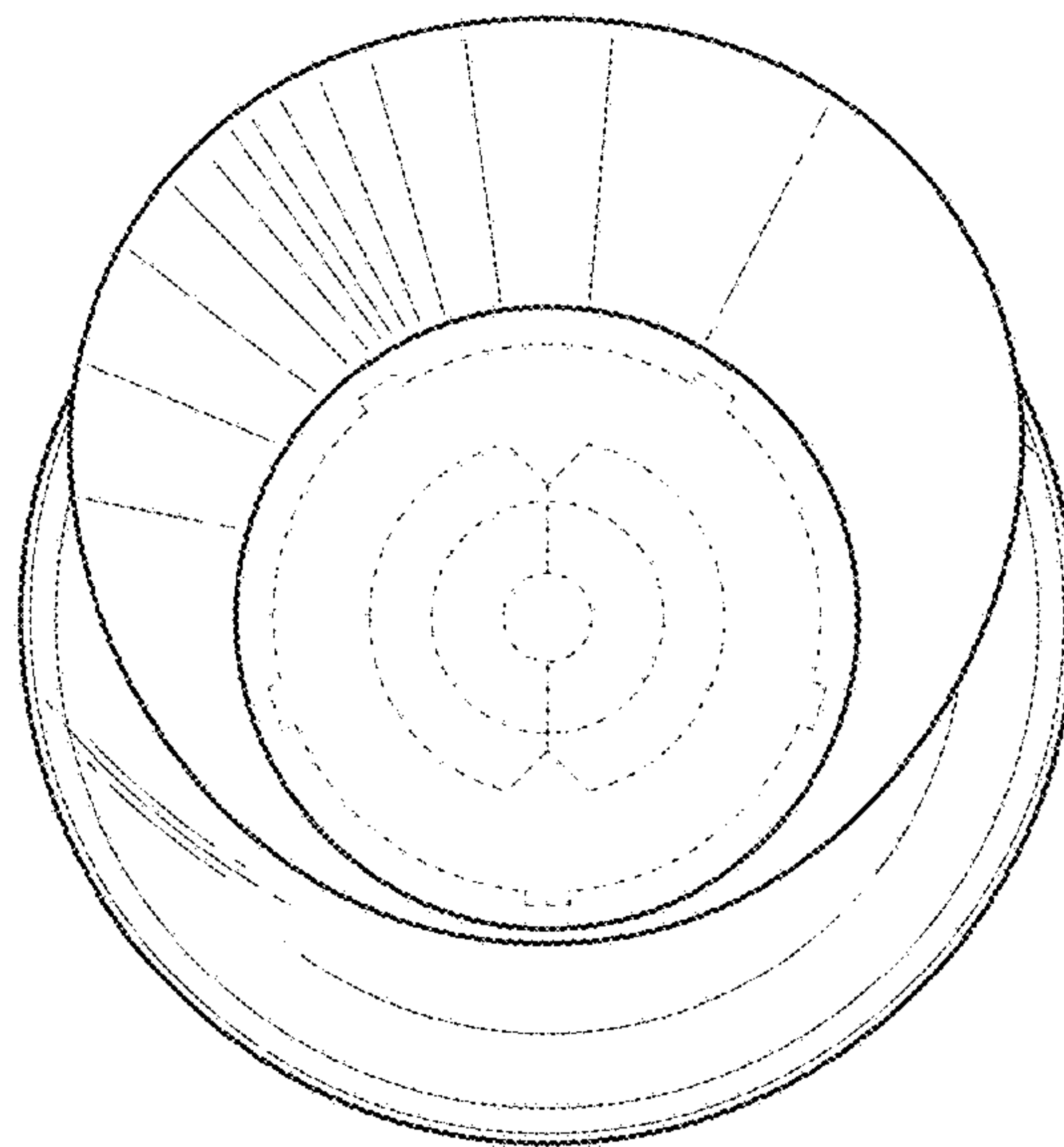


Fig. 6

