



US00D871815S

(12) **United States Design Patent**
Costaglia

(10) **Patent No.:** **US D871,815 S**

(45) **Date of Patent:** **** Jan. 7, 2020**

(54) **CHAIR BOTTOM**

(71) Applicant: **L&P PROPERTY MANAGEMENT COMPANY**, South Gate, CA (US)

(72) Inventor: **Massimo Costaglia**, Santa Giustina in Colle (IT)

(73) Assignee: **L&P Property Management Company**, South Gate, CA (US)

(**) Term: **15 Years**

(21) Appl. No.: **29/703,308**

(22) Filed: **Aug. 26, 2019**

Related U.S. Application Data

(62) Division of application No. 29/587,098, filed on Dec. 9, 2016, now Pat. No. Des. 859,901.

(51) **LOC (12) Cl.** **06-01**

(52) **U.S. Cl.**
USPC **D6/716.7**

(58) **Field of Classification Search**
USPC D6/334-336, 366, 367, 374, 375, 379,
D6/380, 716, 716.1, 716.2, 716.3, 716.4,
D6/716.7
CPC .. A47C 1/04; A47C 1/022; A47C 1/06; A47C
1/031; A47C 3/20; A47C 7/004; A47C
7/50; A47C 7/506; B60N 2/02; B60N
2/022
See application file for complete search history.

(56) **References Cited**

U.S. PATENT DOCUMENTS

D290,073 S * 6/1987 Doerner D6/716.7
D292,459 S * 10/1987 Doerner D12/133

D377,283 S * 1/1997 Su D6/716.7
6,290,296 B1 * 9/2001 Beggs A47C 3/20
297/301.2
6,352,308 B1 * 3/2002 Chen A47C 7/004
248/188.1
6,619,740 B2 * 9/2003 Beggs A47C 1/022
297/463.1
D549,016 S * 8/2007 Donati D6/716.7
D550,991 S * 9/2007 Donati D6/716.7
D578,326 S * 10/2008 Donati D6/716.7
D653,481 S * 2/2012 Moreschi D6/716.7
D719,774 S * 12/2014 Brooks D6/716.7
D859,901 S * 9/2019 Costaglia D6/716.7

* cited by examiner

Primary Examiner — Mimosa De

(74) *Attorney, Agent, or Firm* — Shook, Hardy & Bacon
LLP

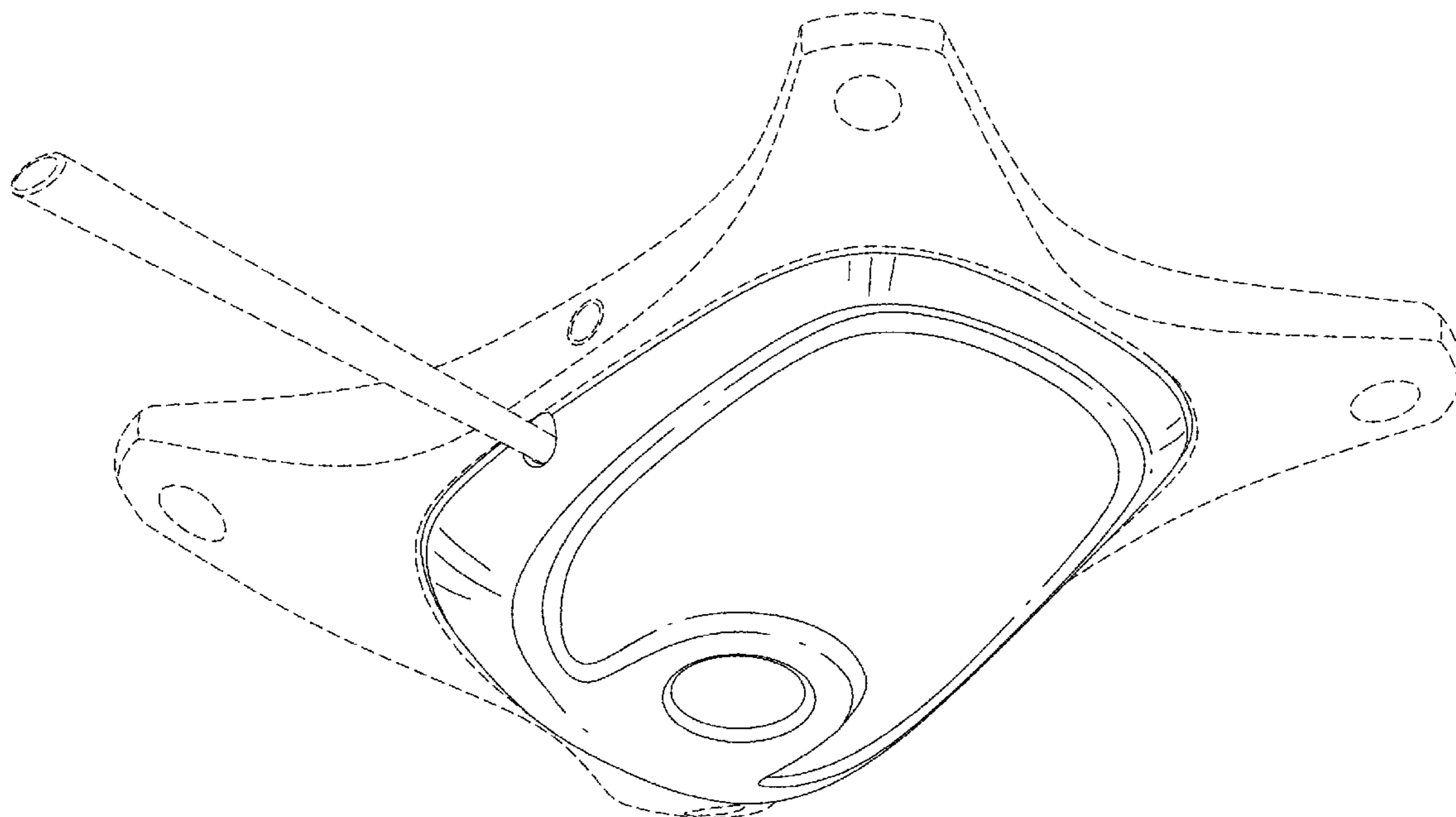
(57) **CLAIM**

The ornamental design for a chair bottom, as shown and described.

DESCRIPTION

FIG. 1 is an isometric view of a chair bottom according to my design;
FIG. 2 is an isometric view thereof from a different view-point;
FIG. 3 is a front view thereof;
FIG. 4 is a rear view thereof;
FIG. 5 is a side view thereof;
FIG. 6 is a top view thereof; and,
FIG. 7 is a bottom view thereof.
The broken lines depict unclaimed portions of the chair bottom and form no part of the claimed subject matter.

1 Claim, 7 Drawing Sheets



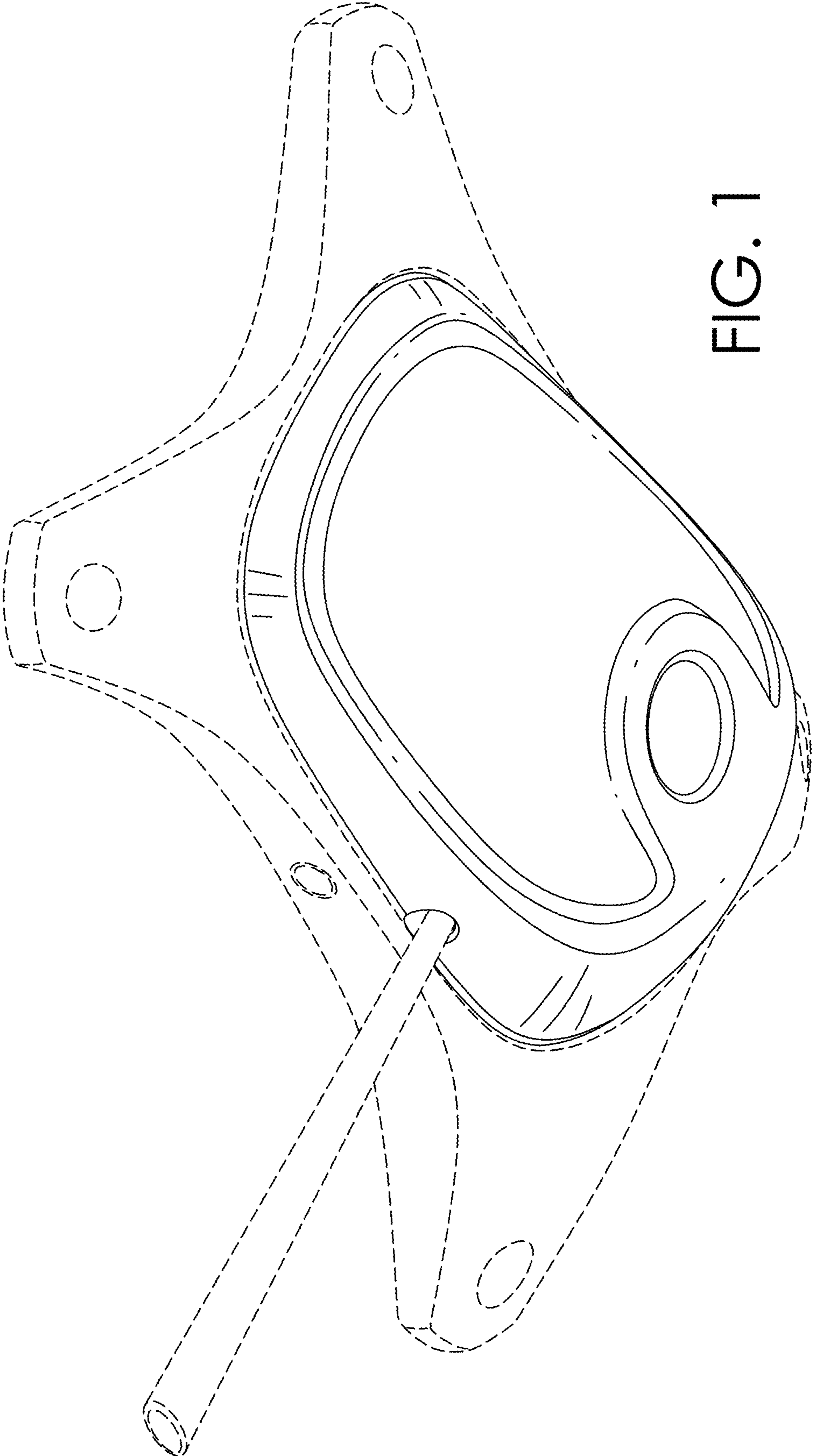


FIG. 1

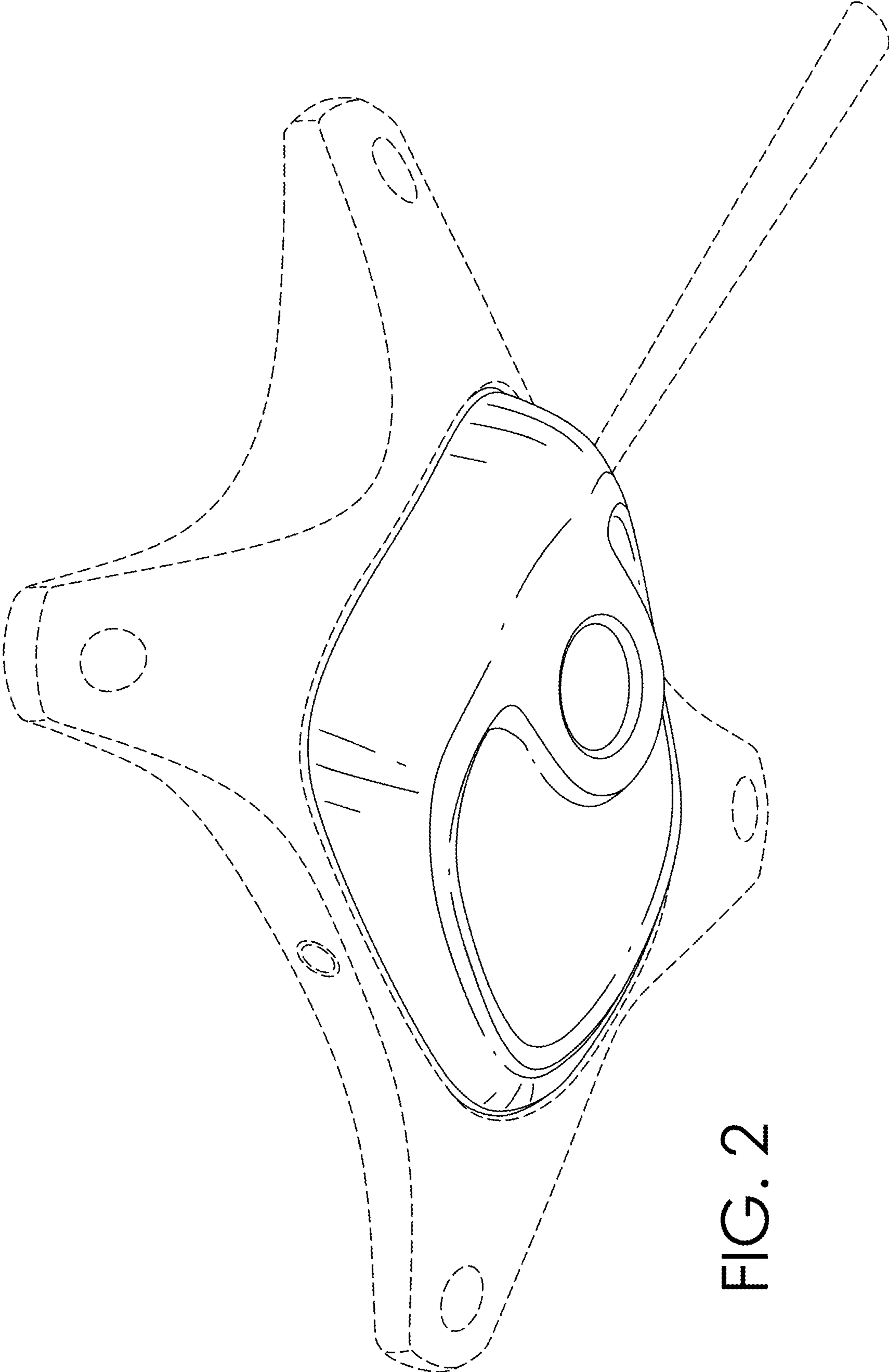


FIG. 2

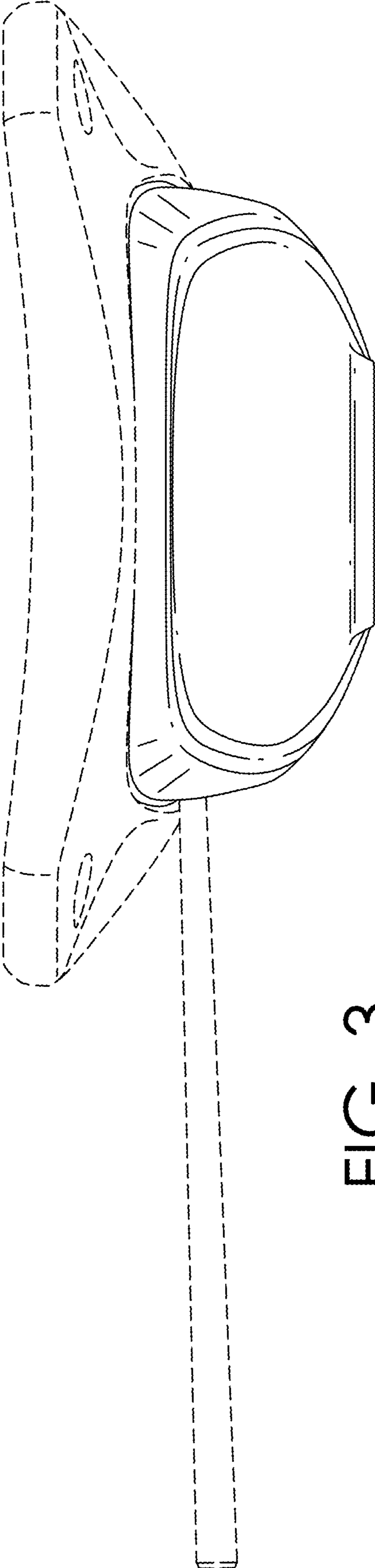


FIG. 3

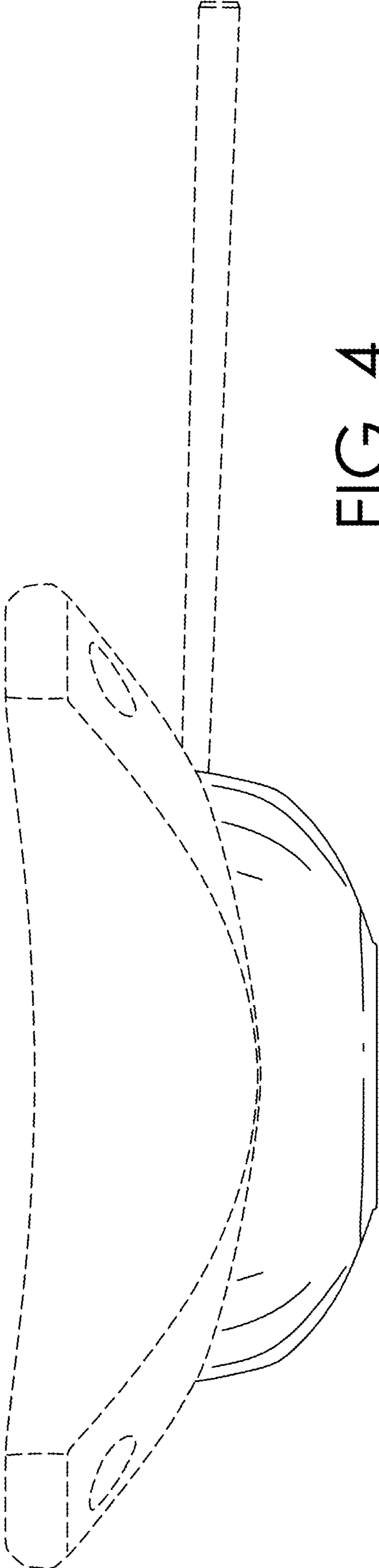


FIG. 4

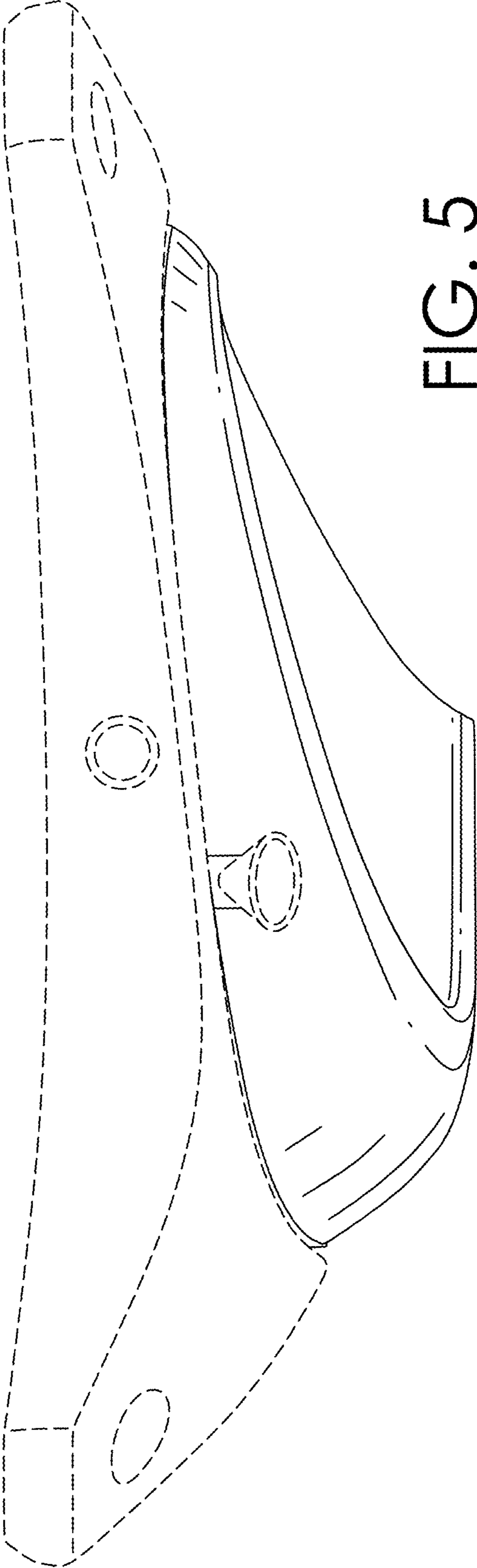


FIG. 5

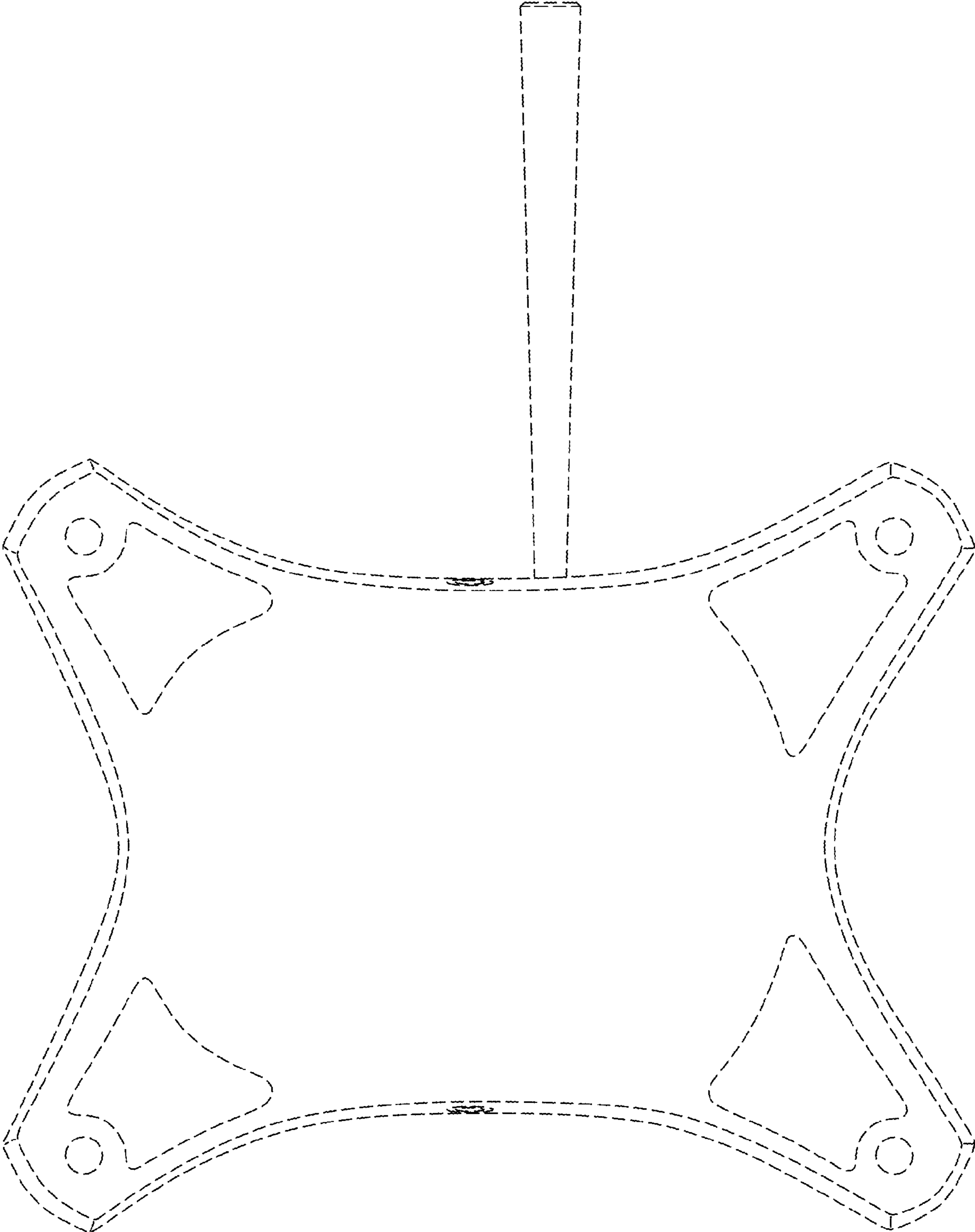


FIG. 6

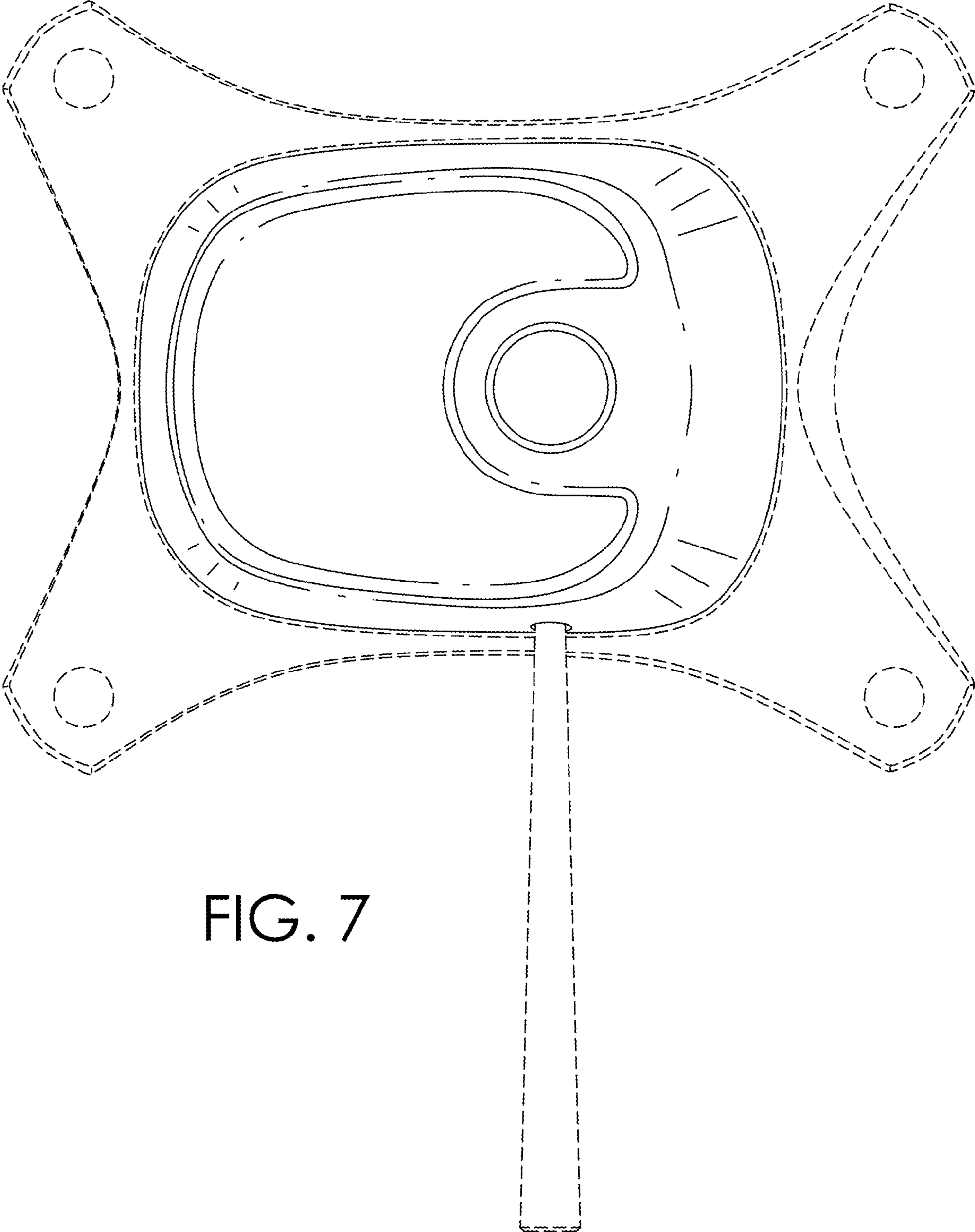


FIG. 7