



US00D871814S

(12) **United States Design Patent**  
**Chen**

(10) **Patent No.:** **US D871,814 S**

(45) **Date of Patent:** **\*\* Jan. 7, 2020**

(54) **FRAME FOOTING**

(71) Applicant: **Samuel Chen**, Hung Hom (CN)

(72) Inventor: **Samuel Chen**, Hung Hom (CN)

(\*\*) Term: **15 Years**

(21) Appl. No.: **29/645,335**

(22) Filed: **Apr. 25, 2018**

(51) **LOC (12) Cl.** ..... **06-06**

(52) **U.S. Cl.**  
USPC ..... **D6/708**

(58) **Field of Classification Search**

USPC ..... D6/708, 709; D8/354, 373, 374, 382;  
52/292, 296, 152; D25/68, 116, 117,  
D25/118, 199; 482/27, 148; 135/143,  
135/117, 118, 151, 147; 248/166;  
160/338; D21/797, 694, 672  
CPC ..... E04H 15/48; E04H 15/32; A47B 91/00;  
A47C 7/002

See application file for complete search history.

(56) **References Cited**

**U.S. PATENT DOCUMENTS**

346,487 A \* 8/1886 Manley ..... A47G 5/04  
160/338  
4,561,618 A \* 12/1985 Zeigler ..... F16M 7/00  
248/166

D323,592 S \* 2/1992 Masacek ..... D6/708  
D334,314 S \* 3/1993 Milton ..... D6/708  
5,203,126 A \* 4/1993 Sorenson ..... G09F 15/0068  
135/147  
7,984,726 B2 \* 7/2011 Lin ..... E04H 15/48  
135/117

\* cited by examiner

*Primary Examiner* — Gino Colan

(74) *Attorney, Agent, or Firm* — Clement Cheng

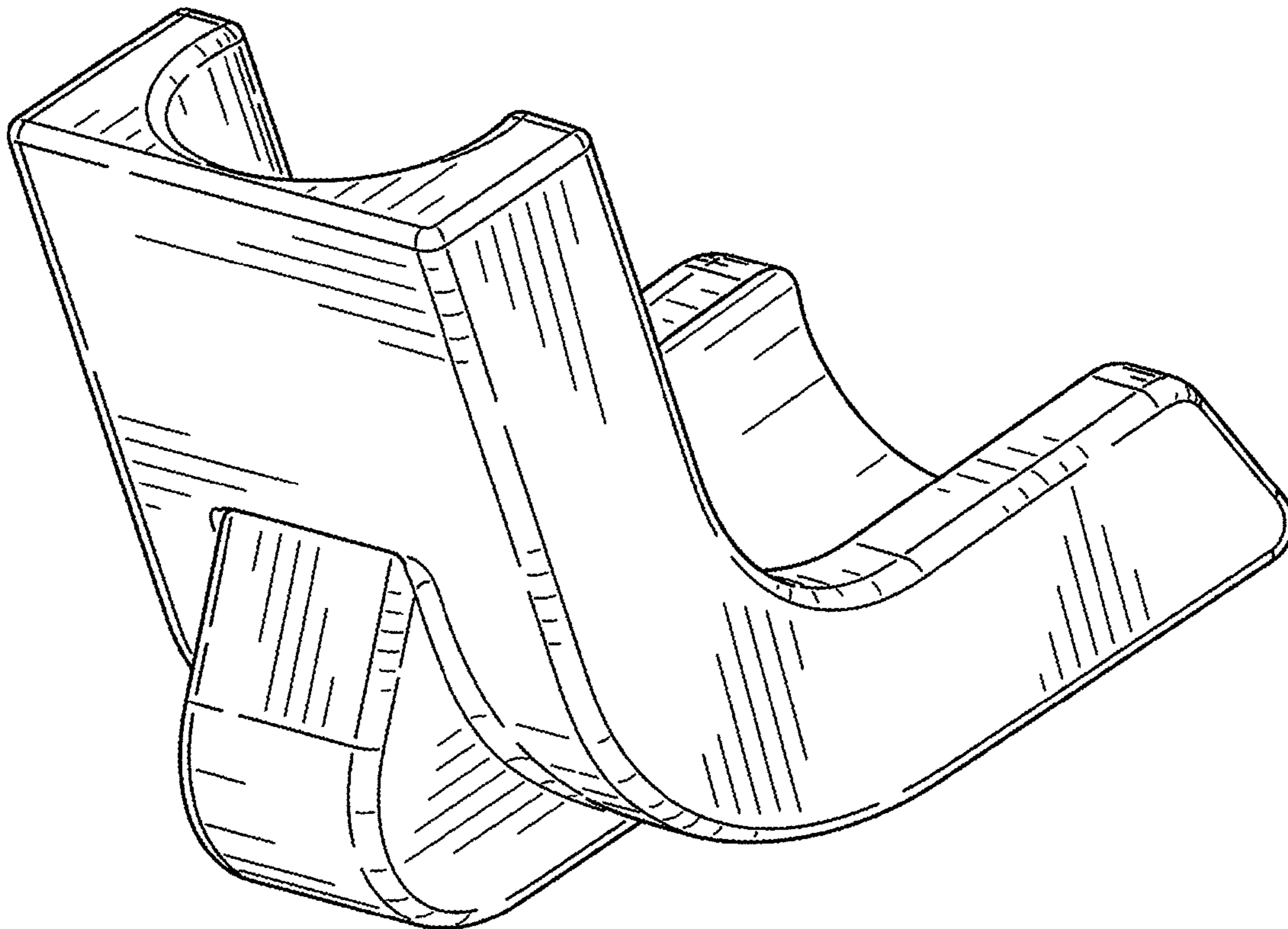
(57) **CLAIM**

The ornamental design for a frame footing, as shown and described.

**DESCRIPTION**

FIG. 1 is a perspective view of a frame footing showing my new design;  
FIG. 2 is a left elevation view thereof;  
FIG. 3 is a right elevation view thereof;  
FIG. 4 is a front elevation view thereof;  
FIG. 5 is a rear elevation view thereof;  
FIG. 6 is a top plan view thereof; and,  
FIG. 7 is a bottom plan view thereof.

**1 Claim, 4 Drawing Sheets**



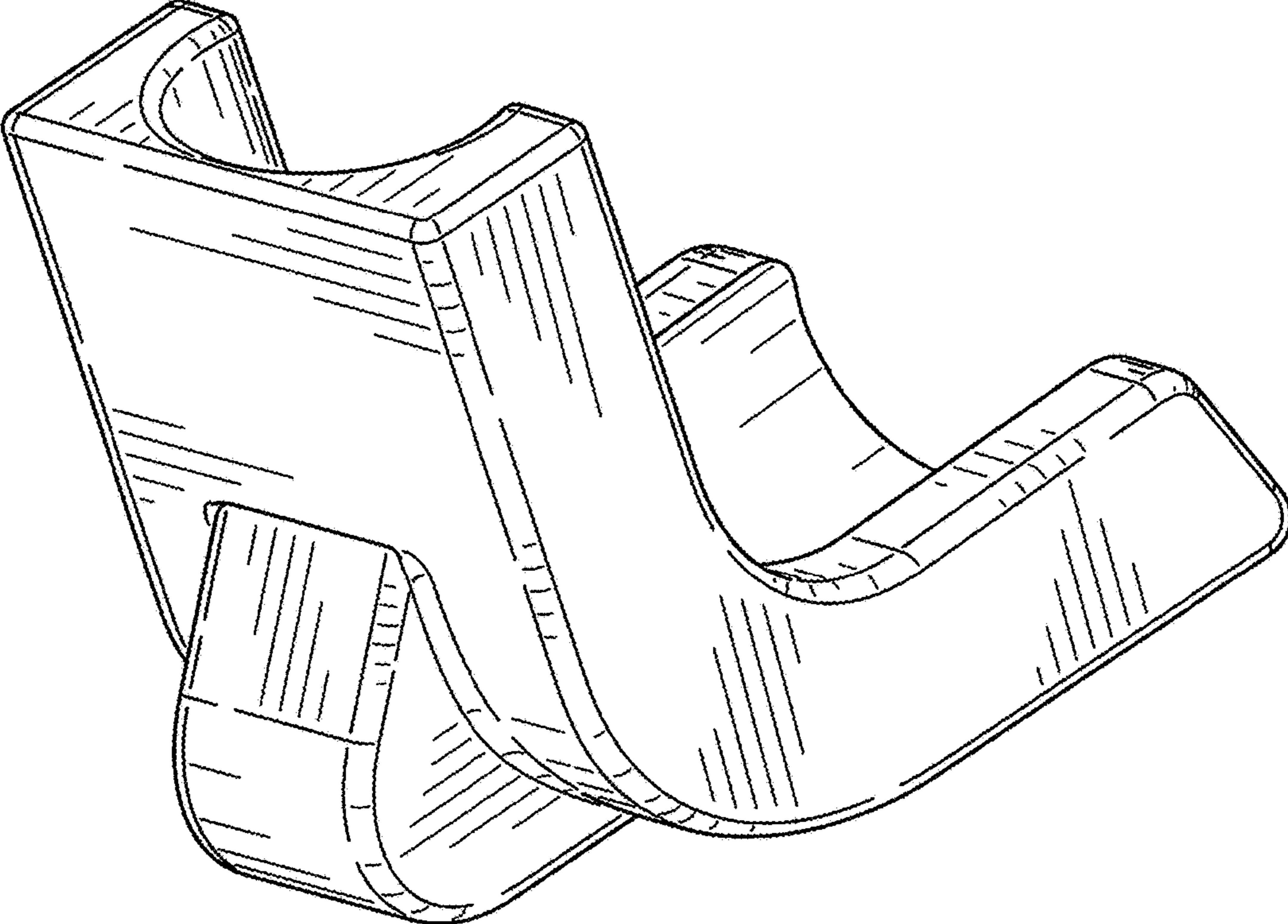


FIG. 1

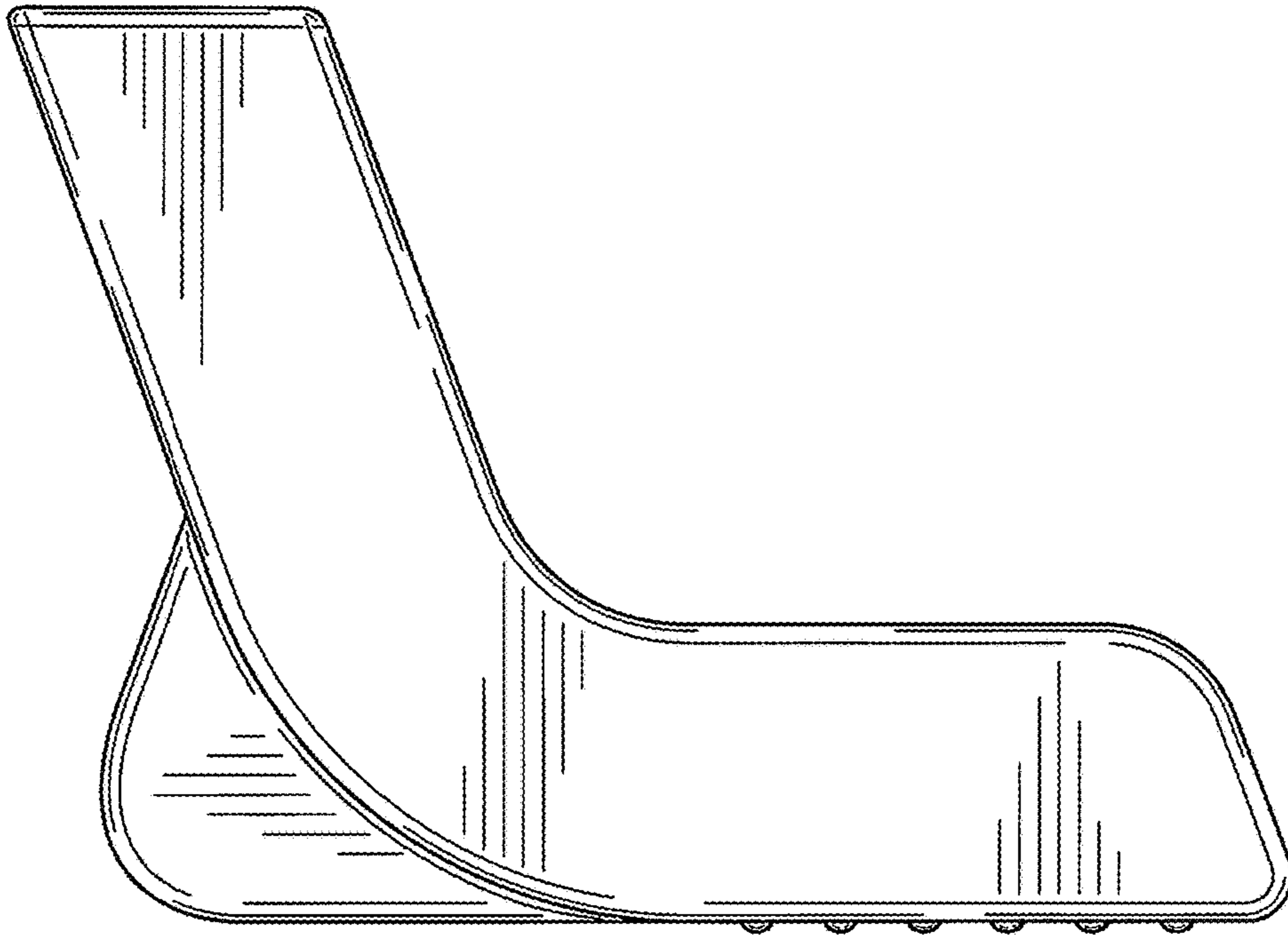


FIG. 2

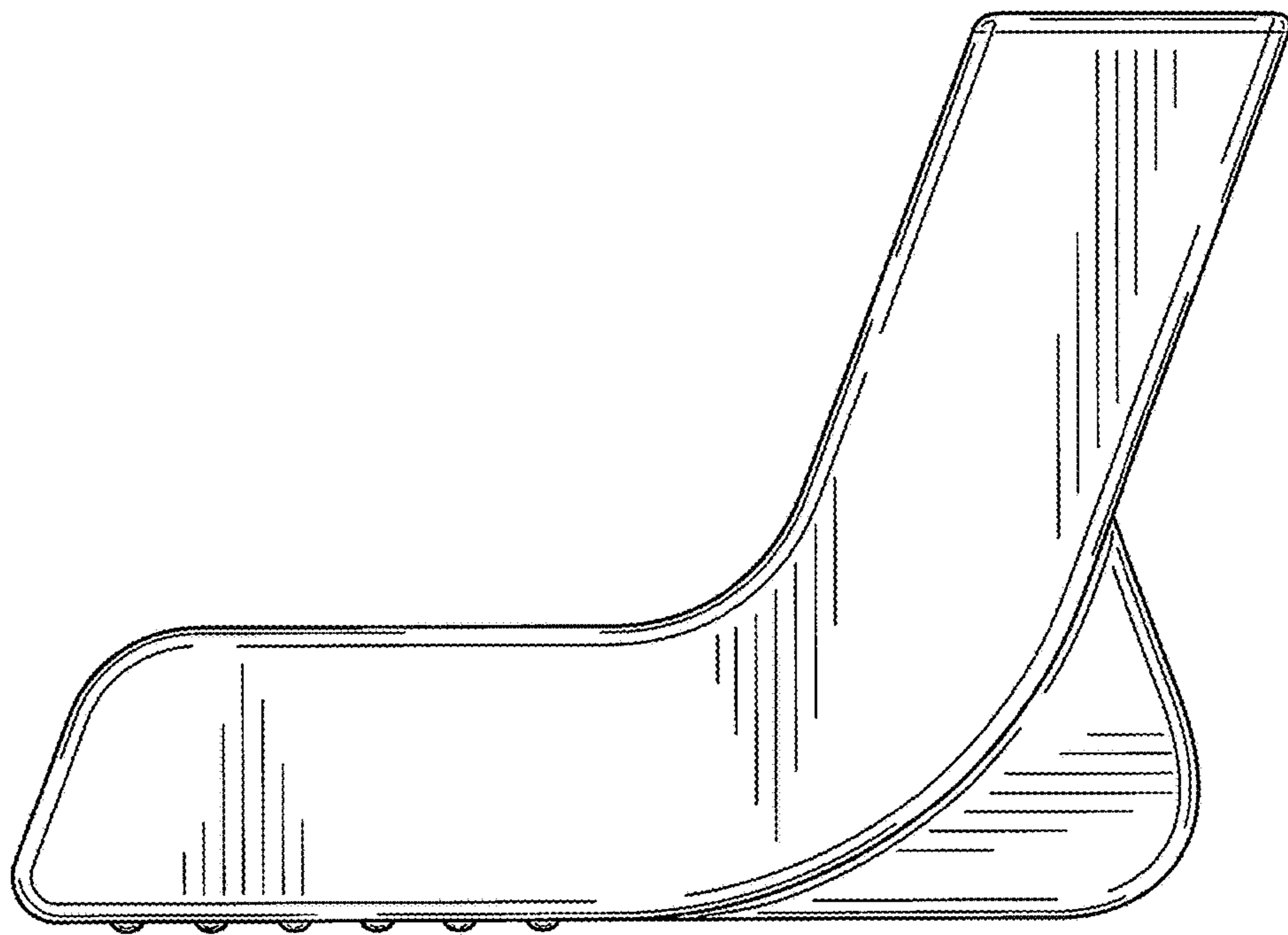


FIG. 3

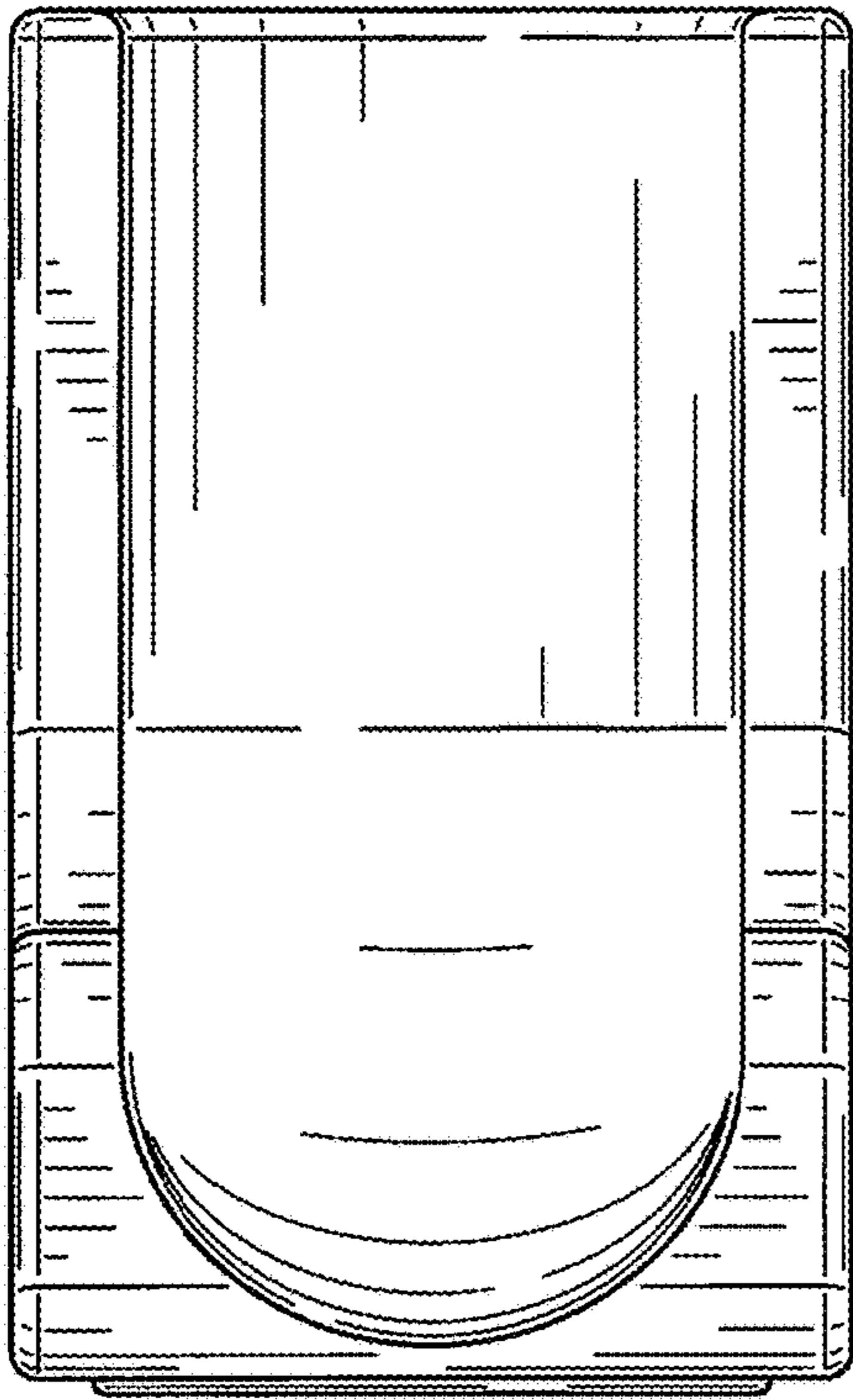


FIG. 4

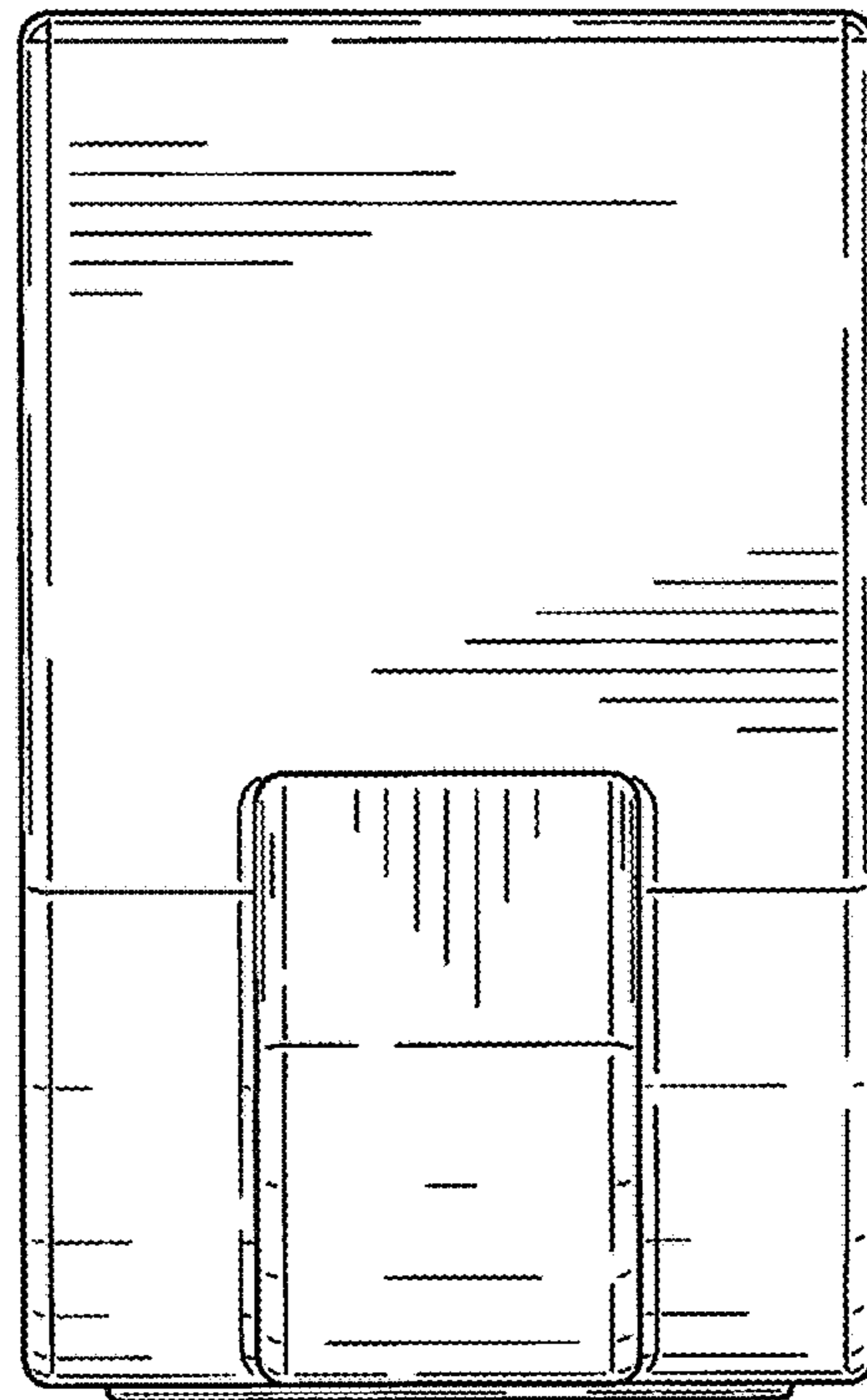


FIG. 5

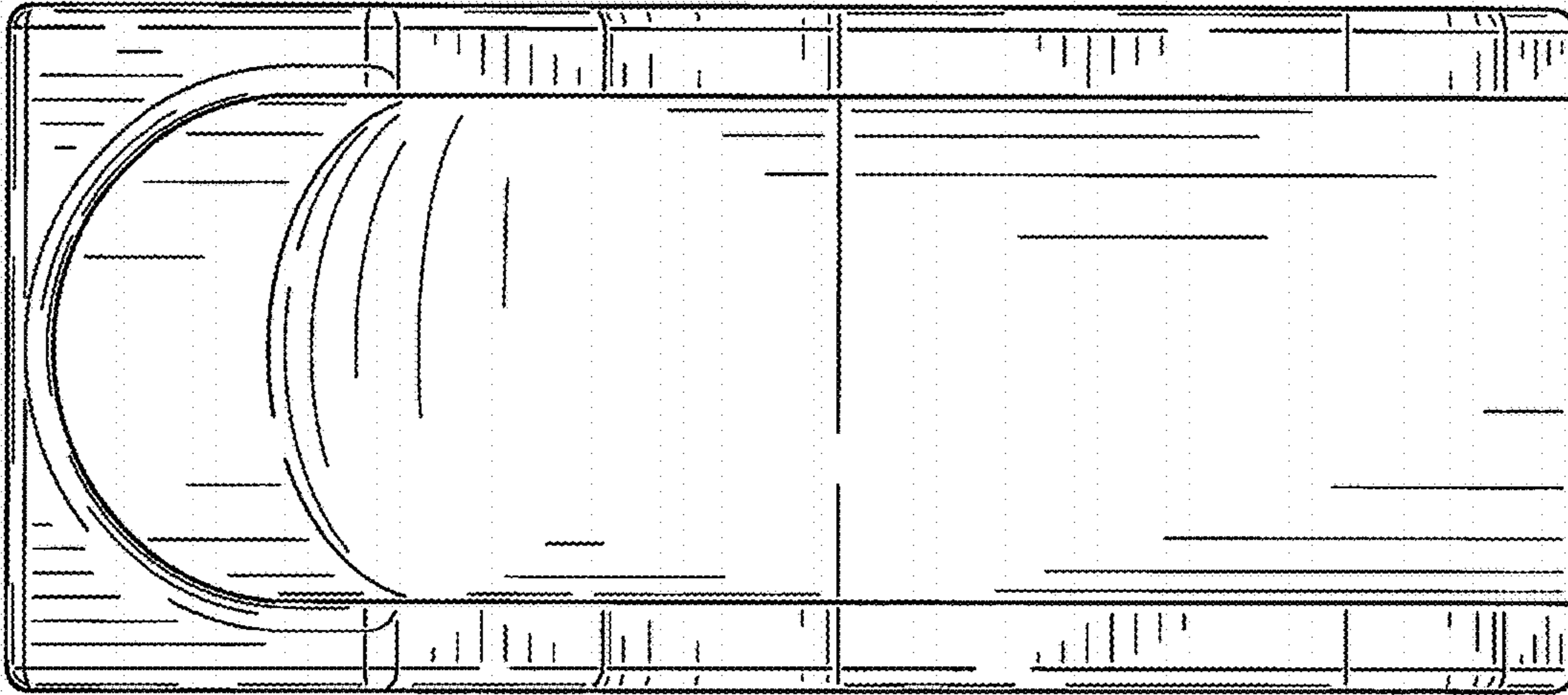


FIG. 6

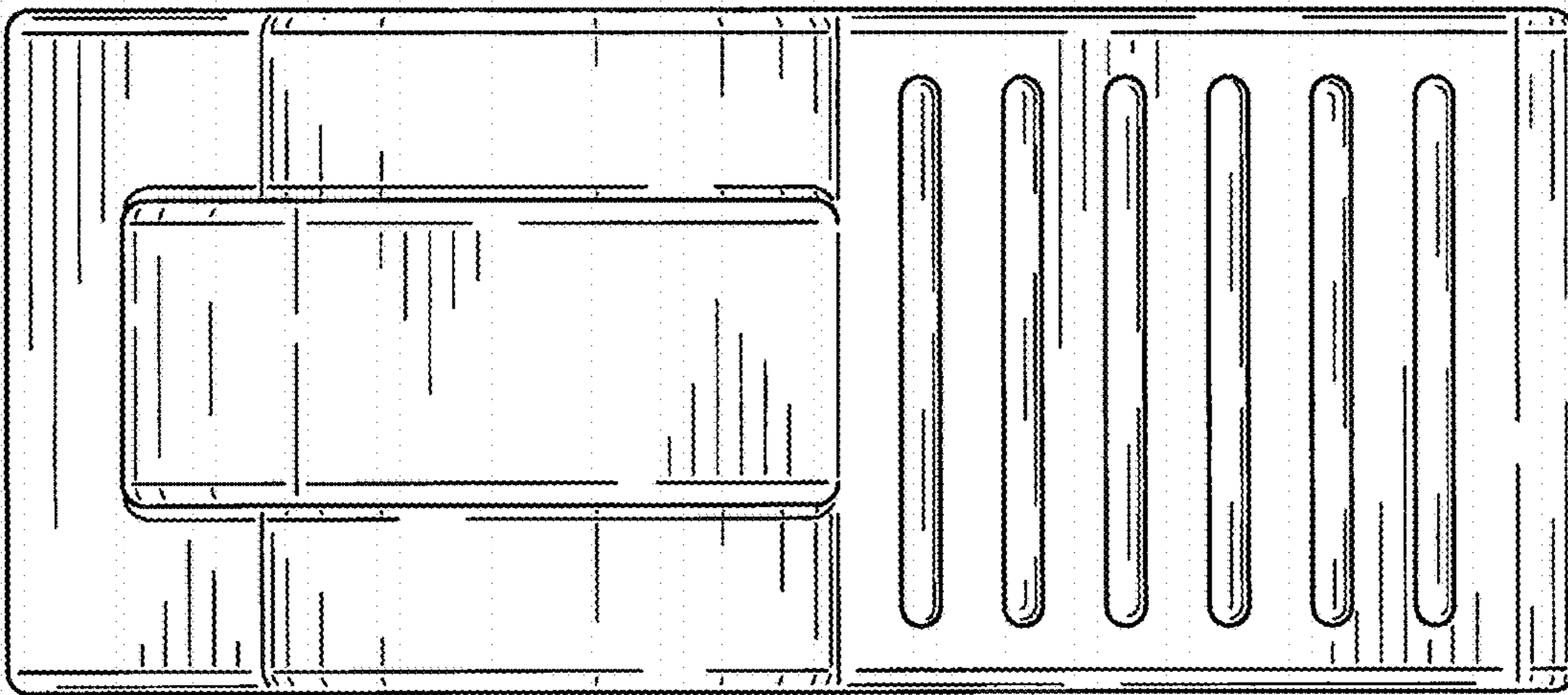


FIG. 7