



US00D871812S

(12) **United States Design Patent**
Su et al.

(10) **Patent No.:** **US D871,812 S**
(45) **Date of Patent:** **** Jan. 7, 2020**

- (54) **DRAWER SIDE PANEL**
- (71) Applicants: **KING SLIDE WORKS CO., LTD.**,
Kaohsiung (TW); **KING SLIDE TECHNOLOGY CO., LTD.**,
Kaohsiung (TW)
- (72) Inventors: **Fang-Cheng Su**, Kaohsiung (TW);
Ci-Bin Huang, Kaohsiung (TW);
Shih-Lung Huang, Kaohsiung (TW);
Shan-Yao Chen, Kaohsiung (TW);
Ching-Fu Chiu, Kaohsiung (TW);
Shu-Chen Lin, Kaohsiung (TW)
- (73) Assignees: **King Slide Works Co., Ltd.**,
Kaohsiung (TW); **King Slide Technology Co., Ltd.**,
Kaohsiung (TW)
- (**) Term: **15 Years**
- (21) Appl. No.: **29/599,204**
- (22) Filed: **Mar. 31, 2017**
- (51) **LOC (12) Cl.** **06-06**
- (52) **U.S. Cl.**
USPC **D6/705.4; D6/705.2; D6/705.5**
- (58) **Field of Classification Search**
USPC D3/297; D6/663, 664, 664.1, 671, 671.1,
D6/671.2, 671.3, 671.4, 705, 705.2,
D6/705.4, 705.5, 707.19
CPC A47B 17/04; A47B 47/03; A47B 67/00;
A47B 67/04; A47B 88/00; A47B 88/40;
A47B 77/00
See application file for complete search history.

D684,399 S *	6/2013	Gasser	D6/705.5
D684,400 S *	6/2013	Gasser	D6/705.5
D684,401 S *	6/2013	Gasser	D6/705
D684,796 S *	6/2013	Gasser	D6/705.5
D686,428 S *	7/2013	Gasser	D6/705.2
D746,090 S *	12/2015	Grabher	D6/705.5
D757,474 S *	5/2016	Grabher	D6/705.5
2012/0097814 A1 *	4/2012	Smed	A47B 21/0314 248/224.8
2017/0258226 A1 *	9/2017	Rowland	A47B 88/40

OTHER PUBLICATIONS

SIMLEAD, posted at Youtube.com, posted on Dec. 21, 2017, site visited Apr. 18, 2019. online, available from internet: <https://www.youtube.com/watch?v=bVnLt6EPqLM> (Year: 2017).*

* cited by examiner

Primary Examiner — Mary Ann Calabrese

Assistant Examiner — Catherine Ho

(74) *Attorney, Agent, or Firm* — Rosenberg, Klein & Lee

(57) **CLAIM**

The ornamental design for a drawer side panel, as shown and described.

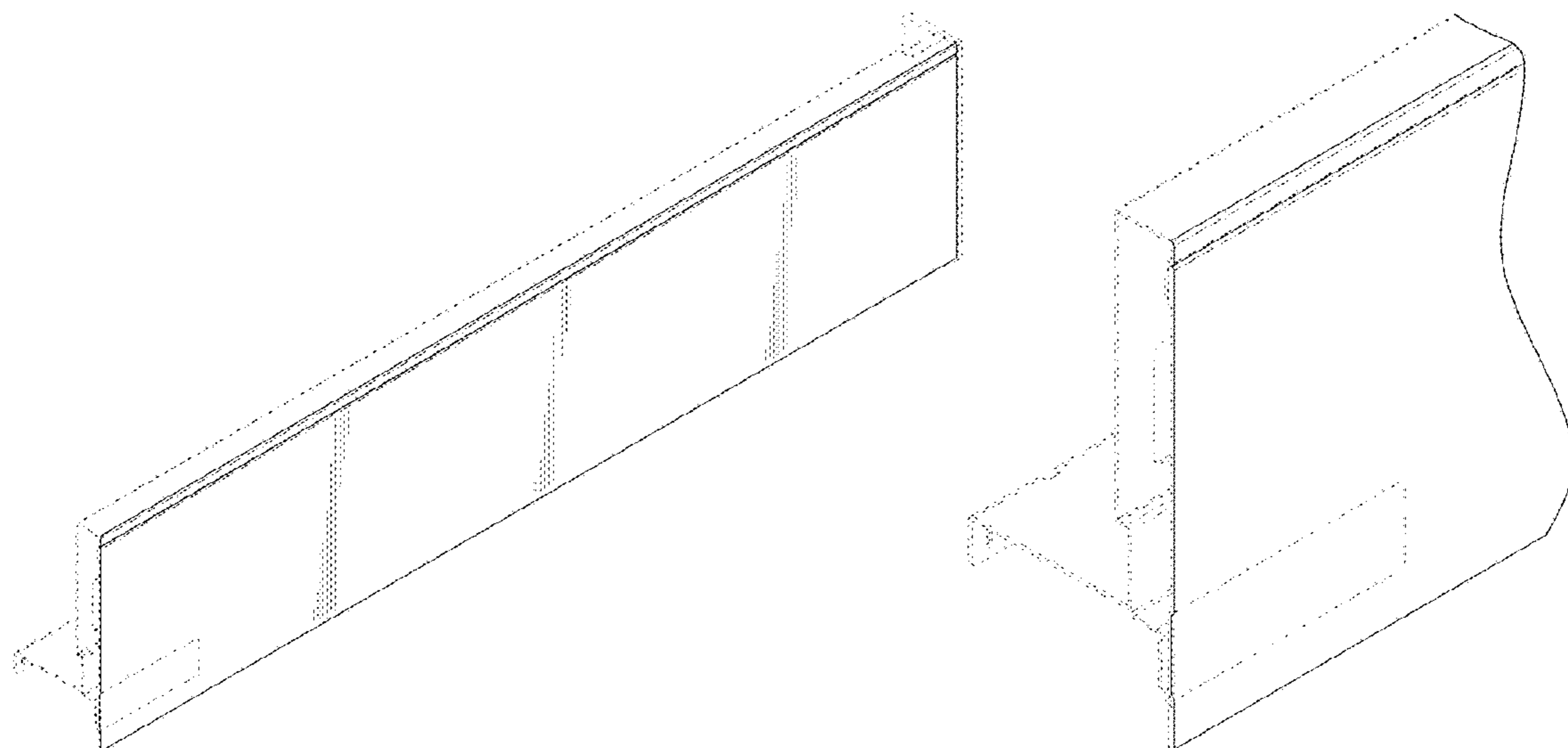
DESCRIPTION

FIG. 1 is a perspective view of a drawer side panel, showing my new design;
FIG. 2 is a front view thereof;
FIG. 3 is a rear view thereof;
FIG. 4 is a left view thereof;
FIG. 5 is a right view thereof;
FIG. 6 is a top plan view thereof;
FIG. 7 is a bottom plan view thereof; and,
FIG. 8 is an enlarged fragmentary view of left side of the perspective view of FIG. 1.

All broken line portions of the figure drawings are included to show portions of the article that form no part of the claimed design.

1 Claim, 4 Drawing Sheets

- (56) **References Cited**
U.S. PATENT DOCUMENTS
D255,741 S * 7/1980 Litchfield D6/705.4
D298,708 S * 11/1988 Nygren D6/705.4
D335,981 S * 6/1993 Cichonski D6/706
D674,626 S * 1/2013 Gasser D6/705.5



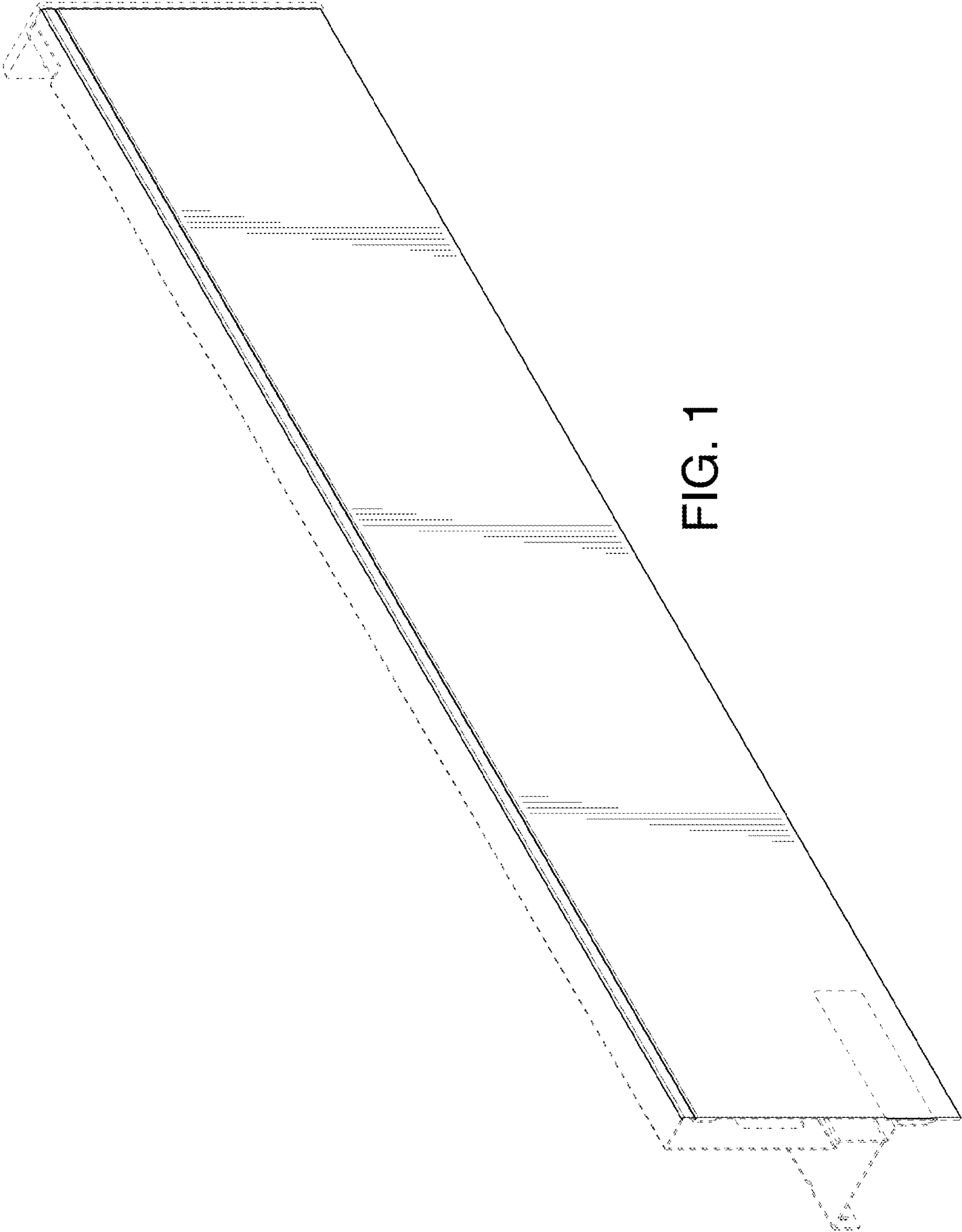


FIG. 1

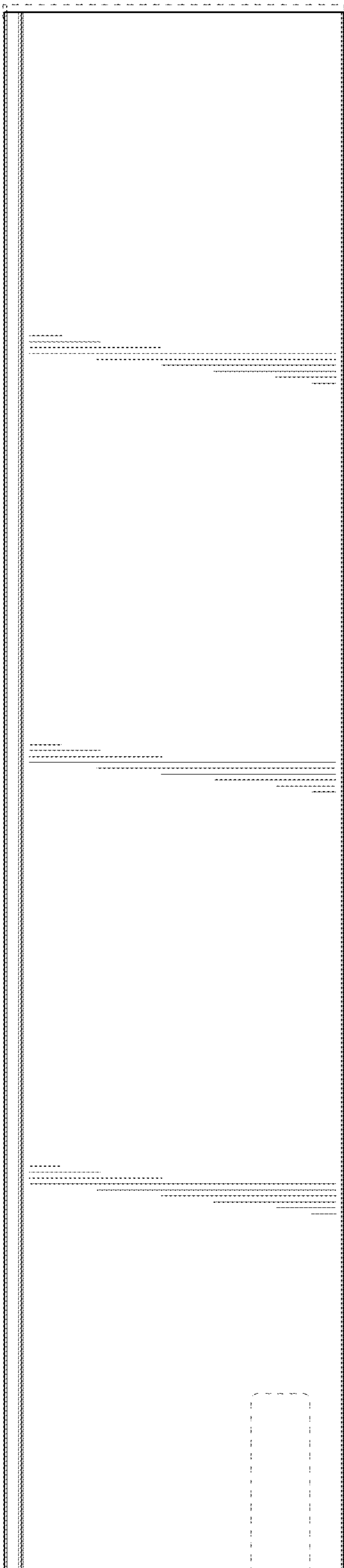


FIG. 2

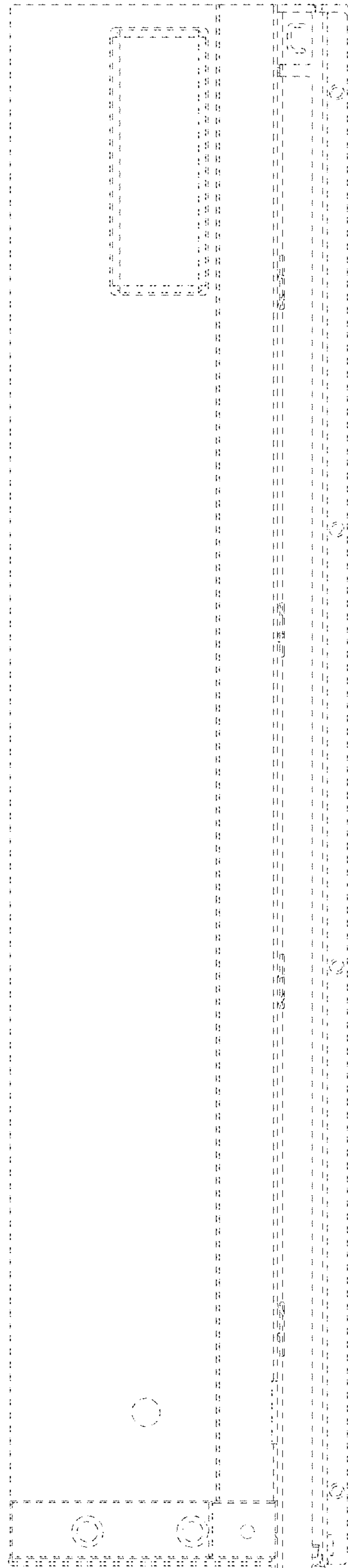


FIG. 3

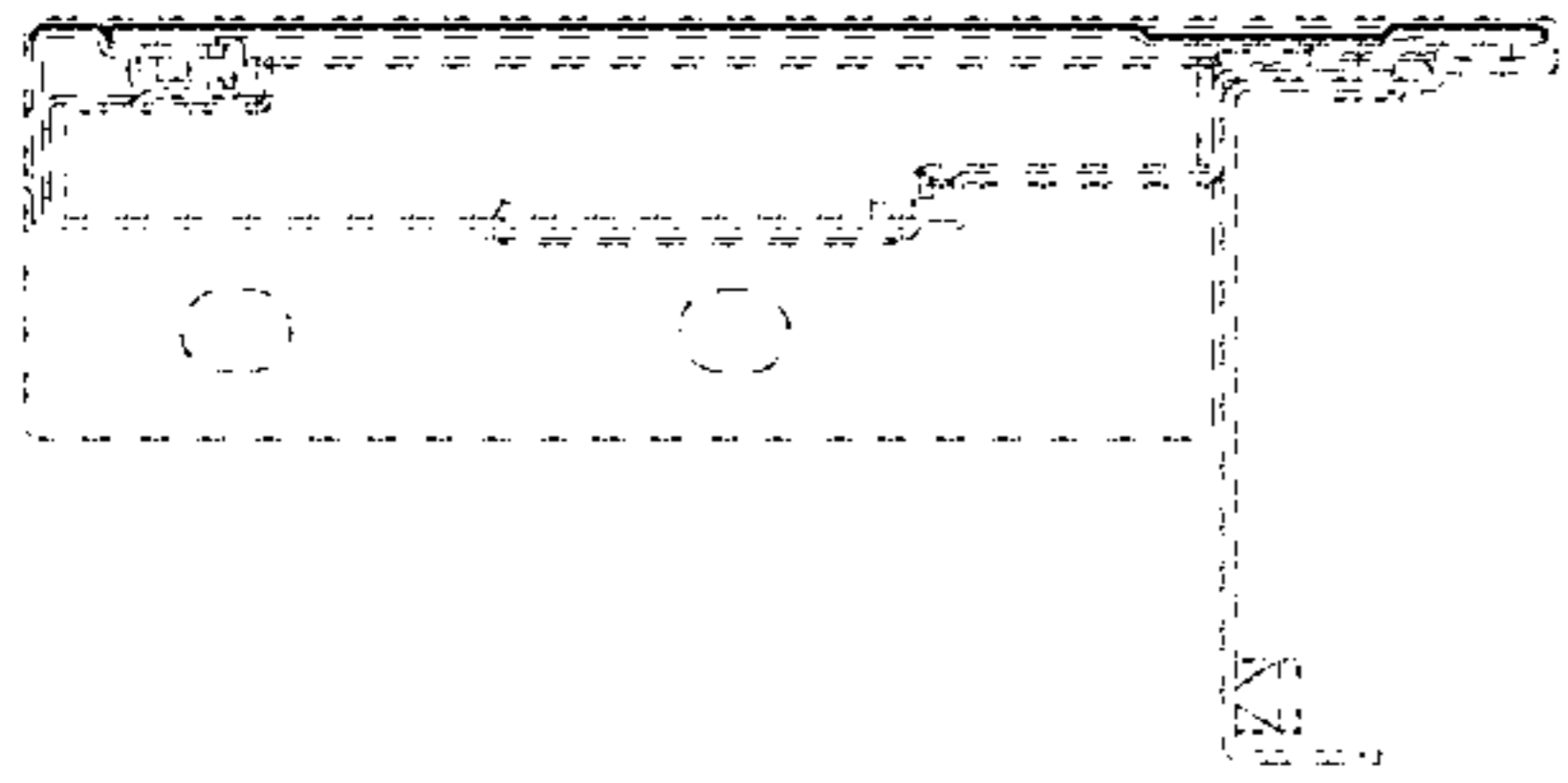


FIG. 4

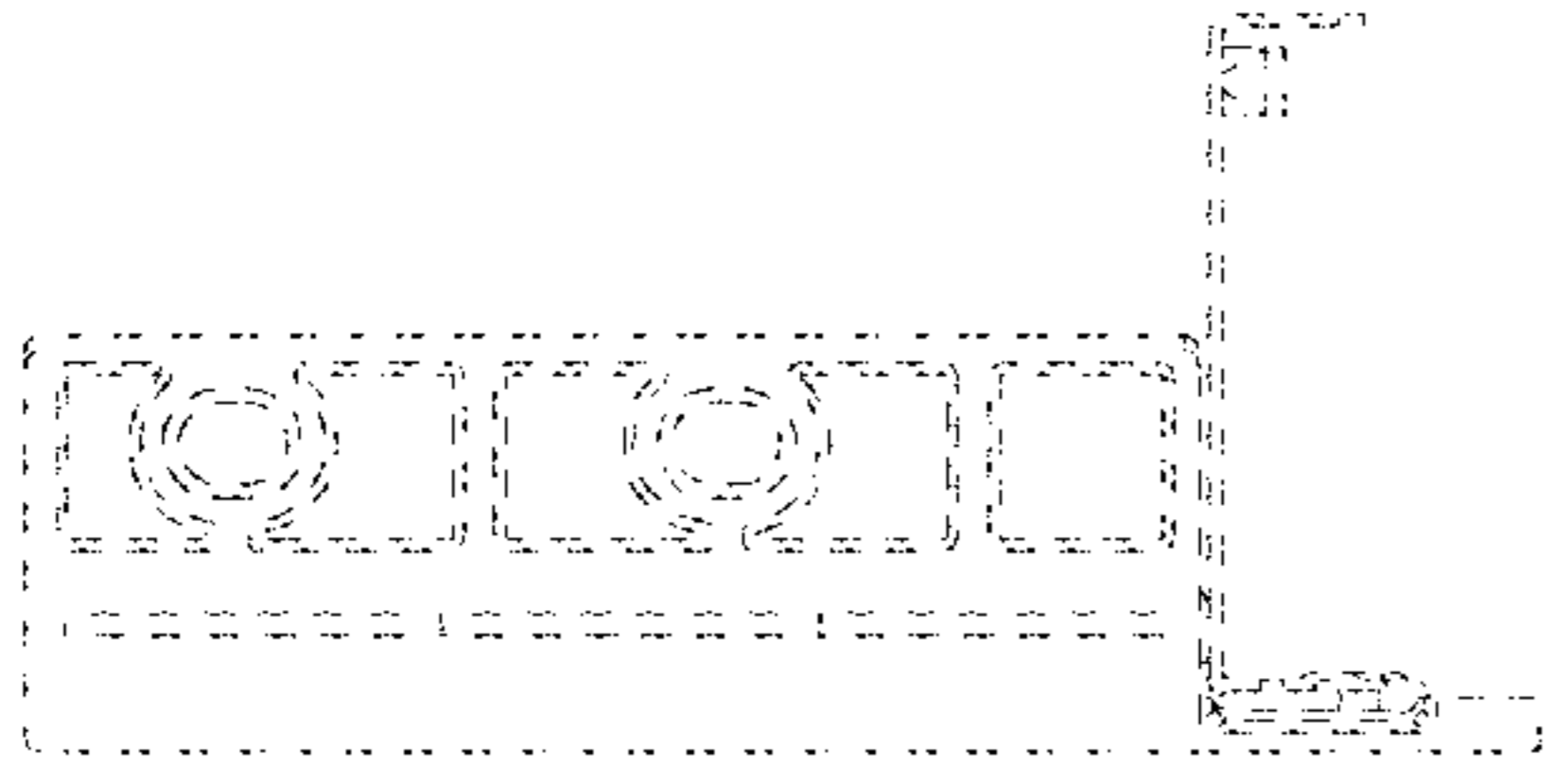


FIG. 5

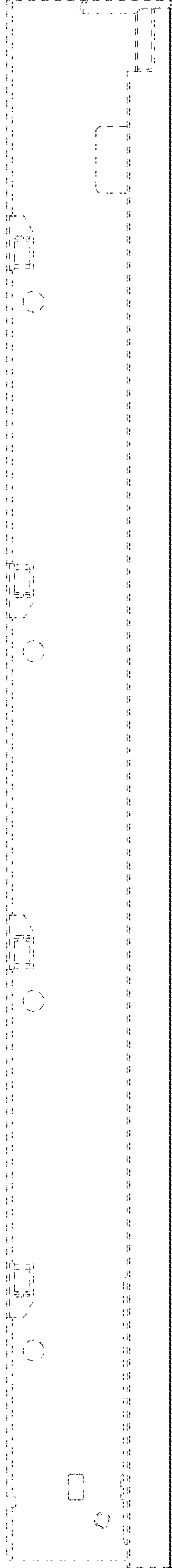


FIG. 6

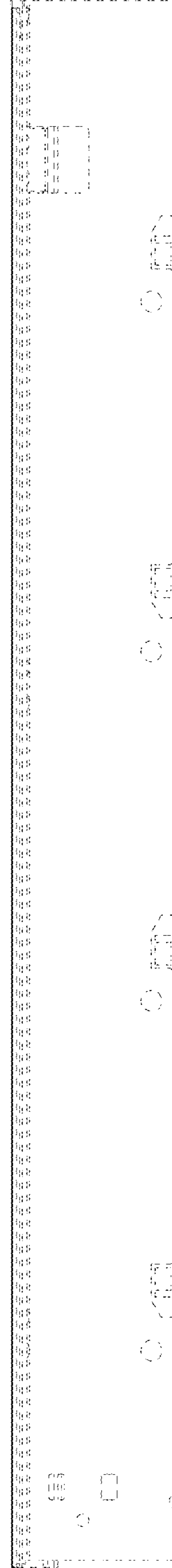


FIG. 7

