



US00D871809S

(12) **United States Design Patent**  
**Kimura**

(10) **Patent No.:** **US D871,809 S**

(45) **Date of Patent:** **\*\* Jan. 7, 2020**

(54) **INSTRUMENT STAND**

(71) Applicant: **Keith M. Kimura**, Gardena, CA (US)

(72) Inventor: **Keith M. Kimura**, Gardena, CA (US)

(\*\*) Term: **15 Years**

(21) Appl. No.: **29/655,527**

(22) Filed: **Jul. 4, 2018**

(51) **LOC (12) Cl.** ..... **06-06**

(52) **U.S. Cl.**  
USPC ..... **D6/682**

(58) **Field of Classification Search**  
USPC ..... D6/395-396, 429, 449, 450, 453-469,  
D6/675, 675.1-675.2, 682, 700-701;  
D14/447  
CPC .. A47B 19/002; A47B 2019/004; A47B 19/02  
See application file for complete search history.

(56) **References Cited**

**U.S. PATENT DOCUMENTS**

- D688,072 S \* 8/2013 Hennessey ..... D6/682
- D737,606 S \* 9/2015 King ..... D6/682
- D748,936 S \* 2/2016 Kanrilak ..... D6/681

- D758,769 S \* 6/2016 Terpening ..... D6/682
- D772,216 S \* 11/2016 Lau ..... D13/108
- D785,380 S \* 5/2017 King ..... D6/681
- D789,886 S \* 6/2017 Socha-Leialoha ..... D13/108
- D817,672 S \* 5/2018 Chang ..... D6/678.2
- D850,168 S \* 6/2019 Aw ..... D6/675.4

\* cited by examiner

*Primary Examiner* — Kelley A Donnelly  
(74) *Attorney, Agent, or Firm* — Smyrski Law Group, A P.C.

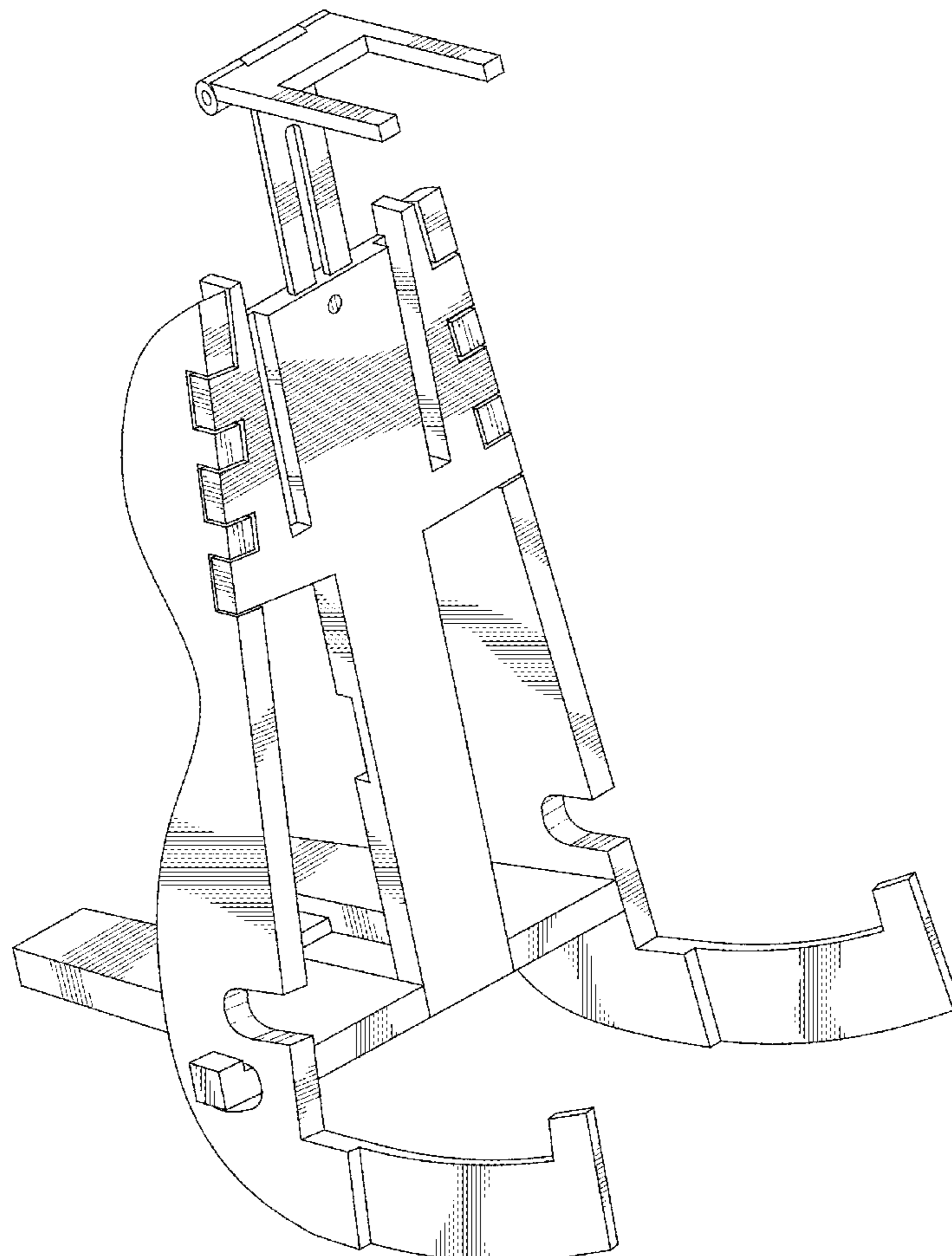
(57) **CLAIM**

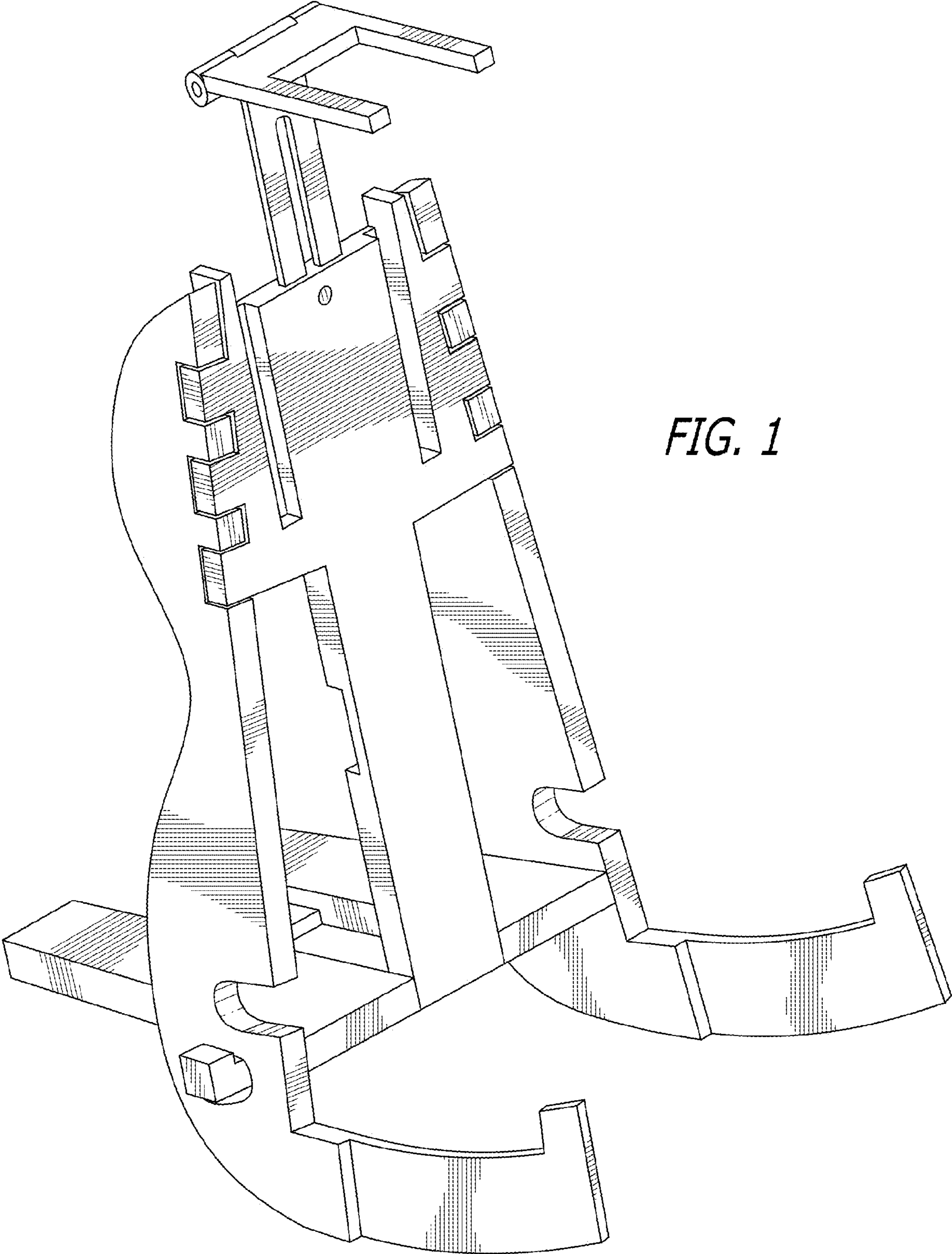
The ornamental design for an instrument stand, as shown and described.

**DESCRIPTION**

FIG. 1 is a perspective view showing the top, front, and left sides of an instrument stand;  
FIG. 2 is a left side view of the instrument stand;  
FIG. 3 is a right side view of the instrument stand;  
FIG. 4 is a front view of the instrument stand;  
FIG. 5 is a rear view of the instrument stand;  
FIG. 6 is a top view of the instrument stand;  
FIG. 7 is a bottom view of the instrument stand; and,  
FIG. 8 is a perspective view of the instrument stand in a closed configuration.

**1 Claim, 8 Drawing Sheets**





*FIG. 1*

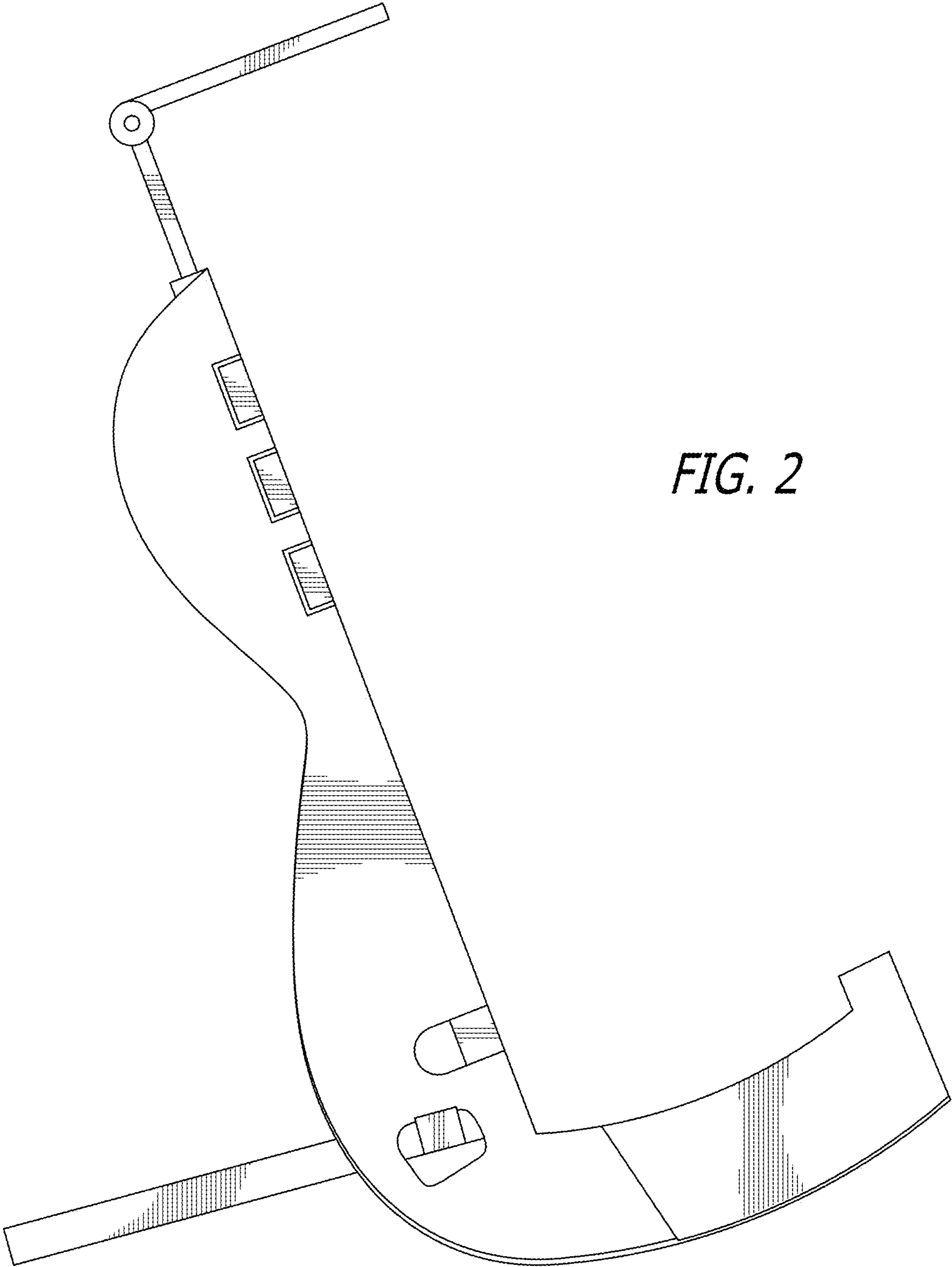
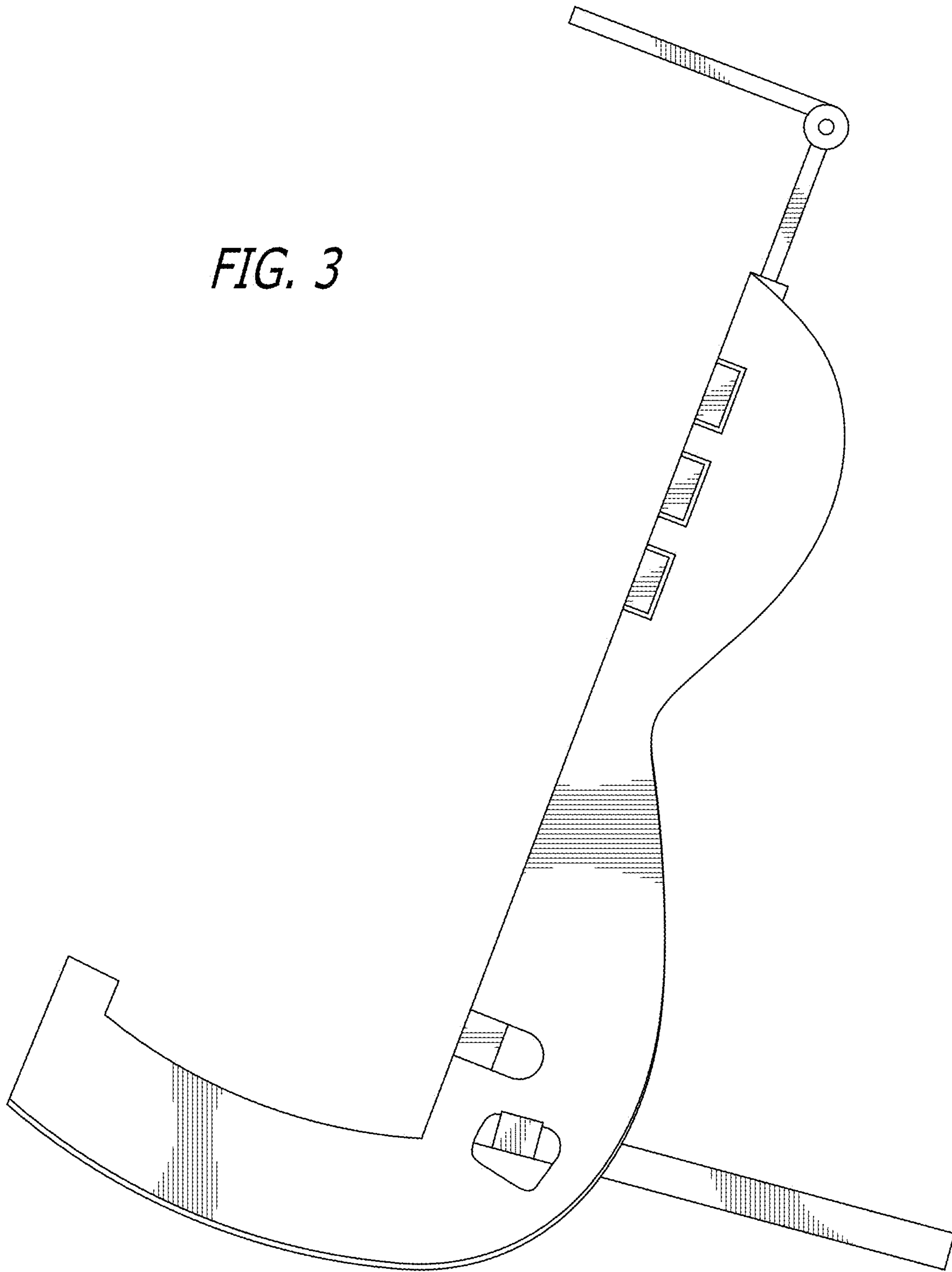
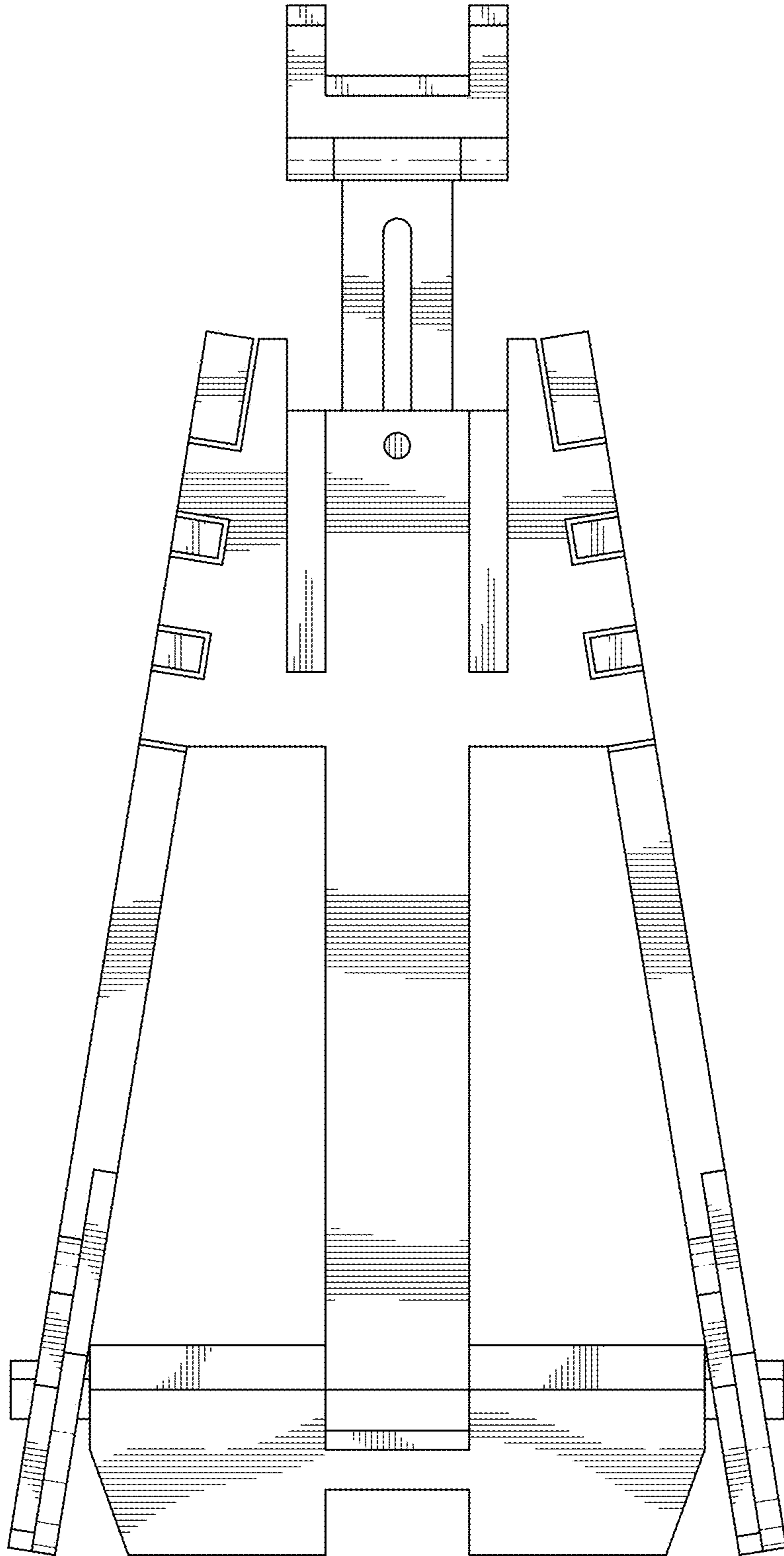


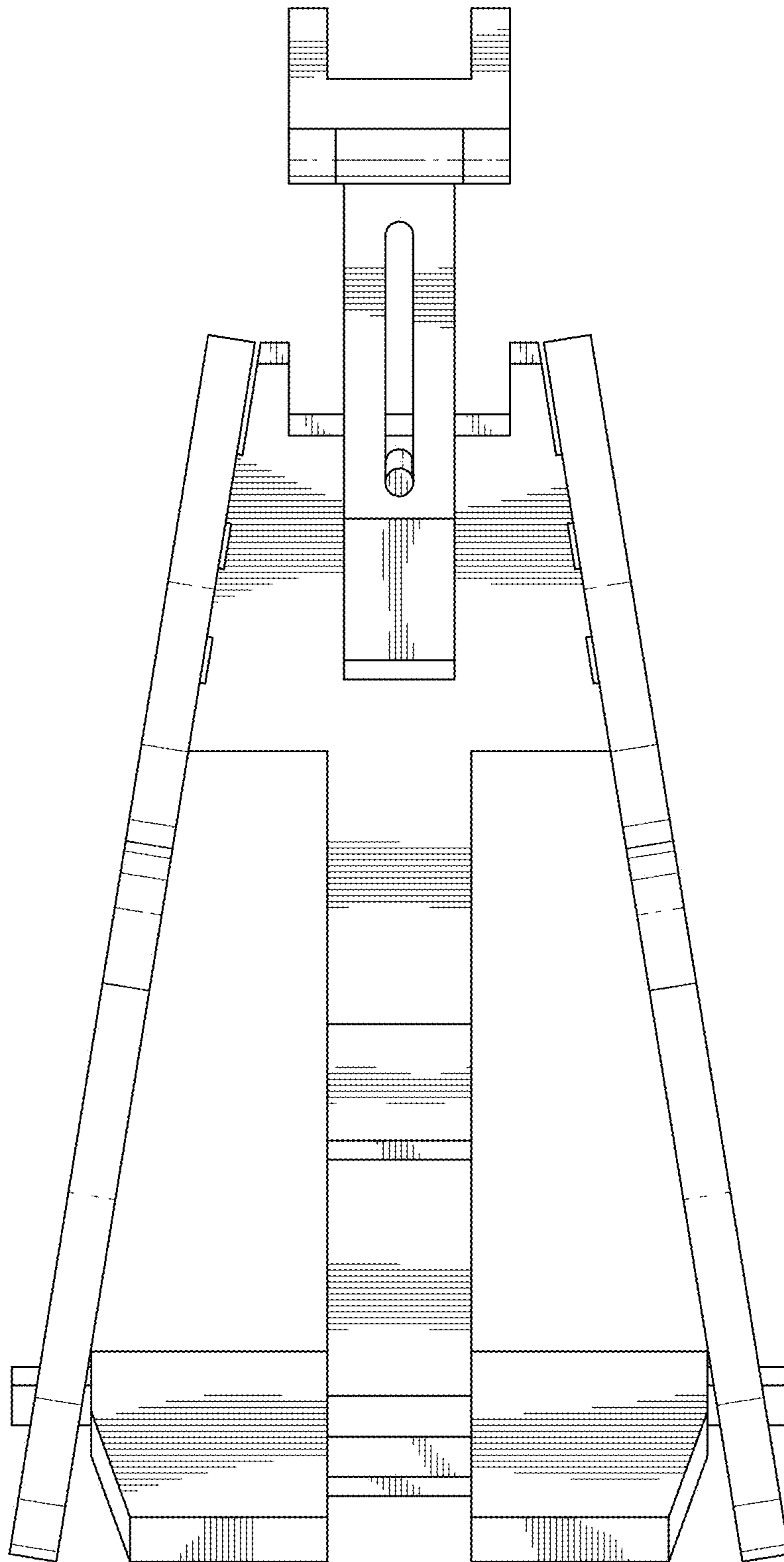
FIG. 2

FIG. 3

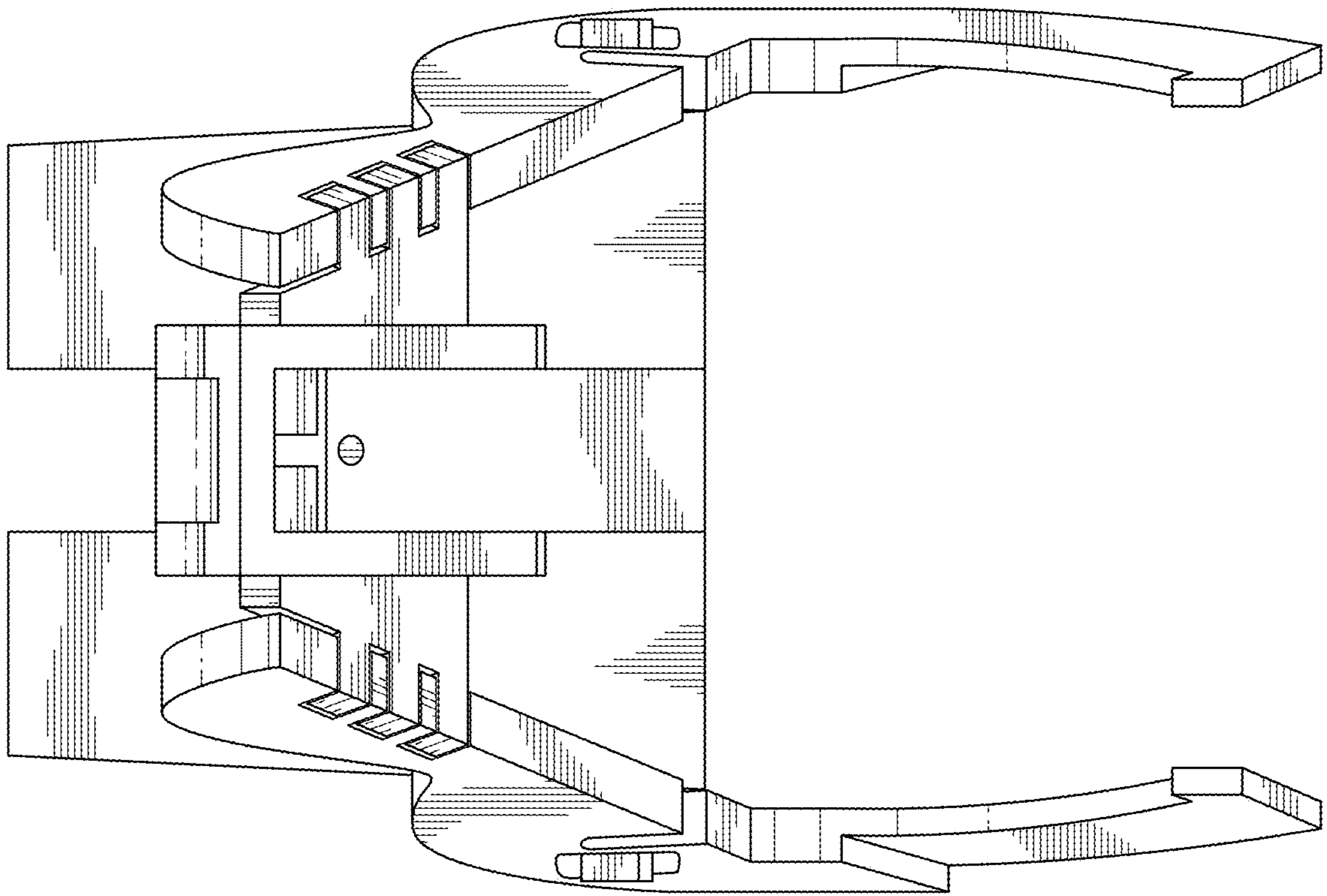




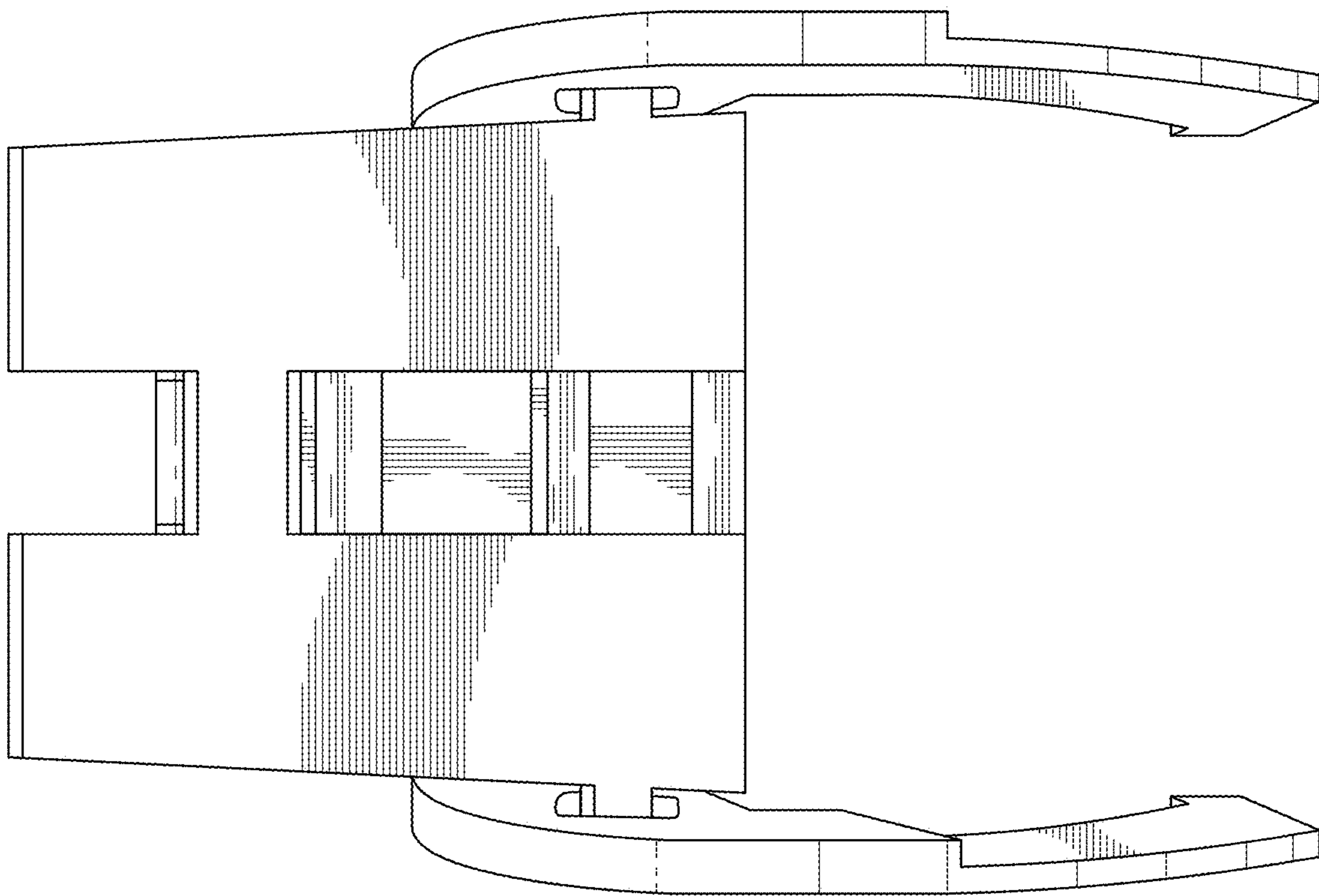
*FIG. 4*



*FIG. 5*



*FIG. 6*



*FIG. 7*



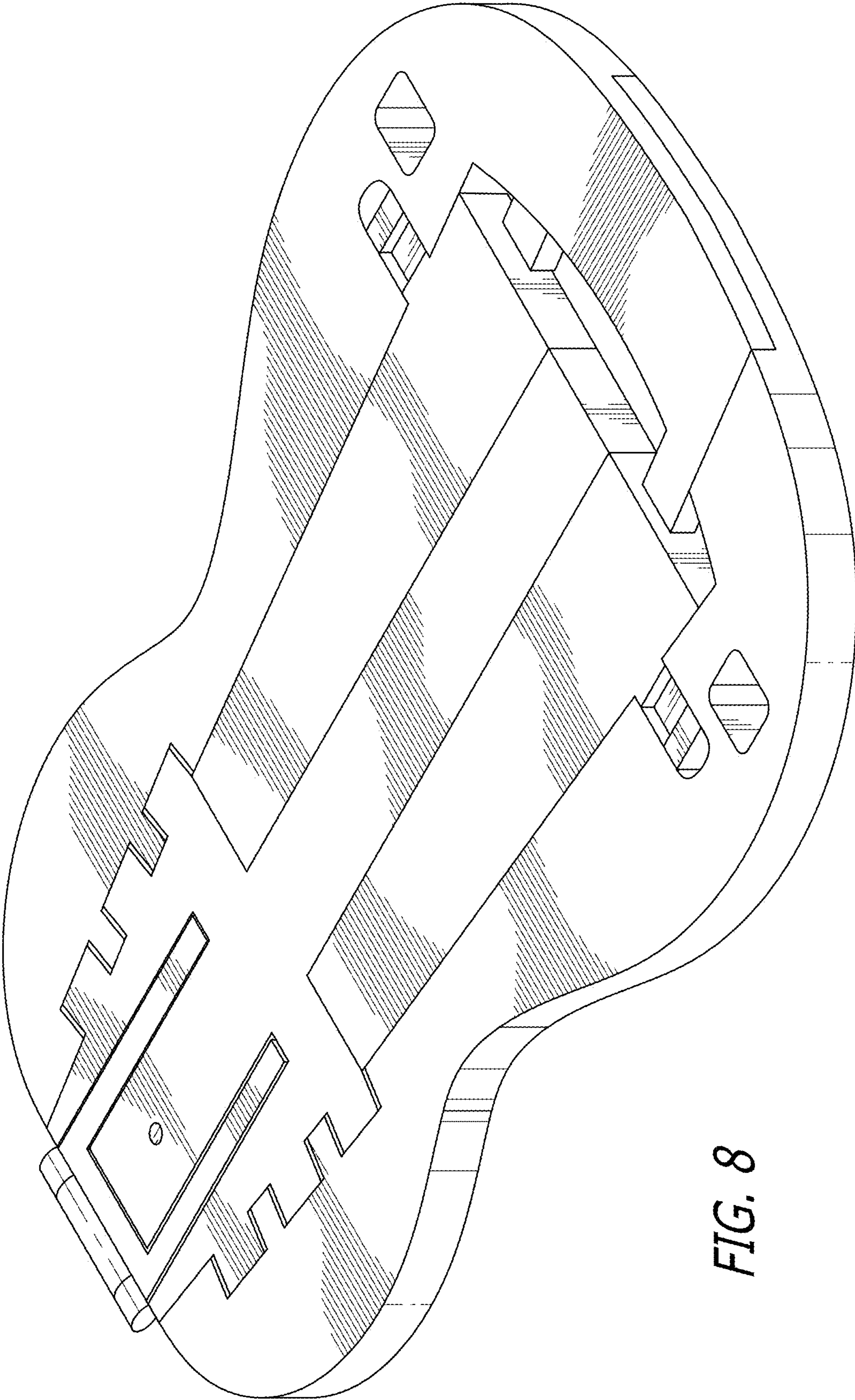


FIG. 8