



US00D871807S

(12) **United States Design Patent** (10) **Patent No.:** **US D871,807 S**
Spielmann et al. (45) **Date of Patent:** **** Jan. 7, 2020**

- (54) **VERTICAL PANEL**
- (71) Applicant: **Google LLC**, Mountain View, CA (US)
- (72) Inventors: **Victoria A. Spielmann**, Piedmont, CA (US); **Li Xu**, San Francisco, CA (US); **Warit Tulyathorn**, San Francisco, CA (US)
- (73) Assignee: **GOOGLE LLC**, Mountain View, CA (US)
- (**) Term: **15 Years**
- (21) Appl. No.: **29/630,477**
- (22) Filed: **Dec. 21, 2017**
- (51) **LOC (12) Cl.** **06-06**
- (52) **U.S. Cl.**
USPC **D6/675**
- (58) **Field of Classification Search**
USPC ... D6/672, 673, 675, 675.1, 678, 678.1, 682
CPC ... A47B 43/00; A47F 3/00; A47F 3/08; A47F 5/0018; A47F 5/0043; A47F 5/10
See application file for complete search history.

- D817,042 S * 5/2018 Gauggel D6/682.4
- D824,702 S * 8/2018 Tio D6/675
- D836,956 S * 1/2019 Tsuchiyama D6/675.1
- D842,627 S * 3/2019 Siminoff D6/672
- D842,628 S * 3/2019 Siminoff D6/672

* cited by examiner

Primary Examiner — Kelley A Donnelly

(74) *Attorney, Agent, or Firm* — Leason Ellis LLP

(57) **CLAIM**

The ornamental design for a vertical panel, as shown and described.

DESCRIPTION

FIG. 1 is a perspective view of a vertical panel according to a first embodiment of our new design;
 FIG. 2 is a front plan view thereof;
 FIG. 3 is a back plan view thereof;
 FIG. 4 is a left side view thereof;
 FIG. 5 is a right side view thereof;
 FIG. 6 is a top plan view thereof;
 FIG. 7 is a bottom plan view thereof;
 FIG. 8 is a front plan view of a second embodiment of the vertical panel, having the same appearance as FIGS. 1 through 7;
 FIG. 9 is a front plan view of a third embodiment of the vertical panel, having the same appearance as FIGS. 1 through 7; and,
 FIG. 10 is a front plan view of a fourth embodiment of the vertical panel, having the same appearance as FIGS. 1 through 7.

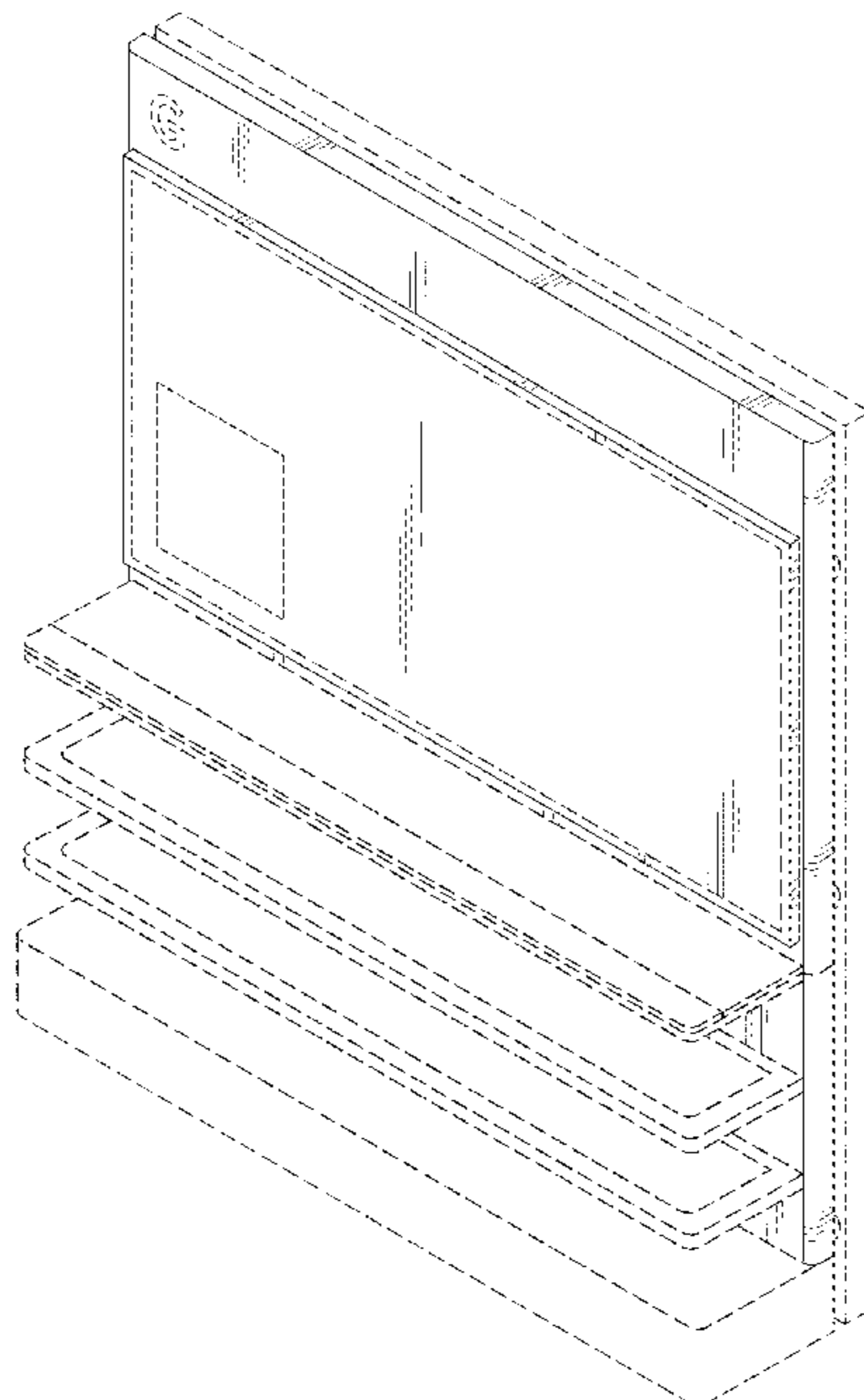
The longer dash-dash broken lines in each figure, including the shelves, illustrate environmental structure and form no part of the claimed design, while the vertical surface extends in a continuous manner behind the shelves.

(56) **References Cited**

U.S. PATENT DOCUMENTS

- D397,562 S * 9/1998 DePottey D25/58
- D729,560 S * 5/2015 Hamm D6/702
- 9,076,354 B1 * 7/2015 Peota G09F 15/0018
- D739,166 S * 9/2015 Dockery D6/672
- D756,137 S * 5/2016 Abelmann D6/336
- D758,106 S * 6/2016 Hamm D6/672
- D779,859 S * 2/2017 Richardson D6/675.3
- D806,447 S * 1/2018 Burton D6/657
- D807,086 S * 1/2018 Tio D6/675
- D815,864 S * 4/2018 Burton D6/675

1 Claim, 8 Drawing Sheets



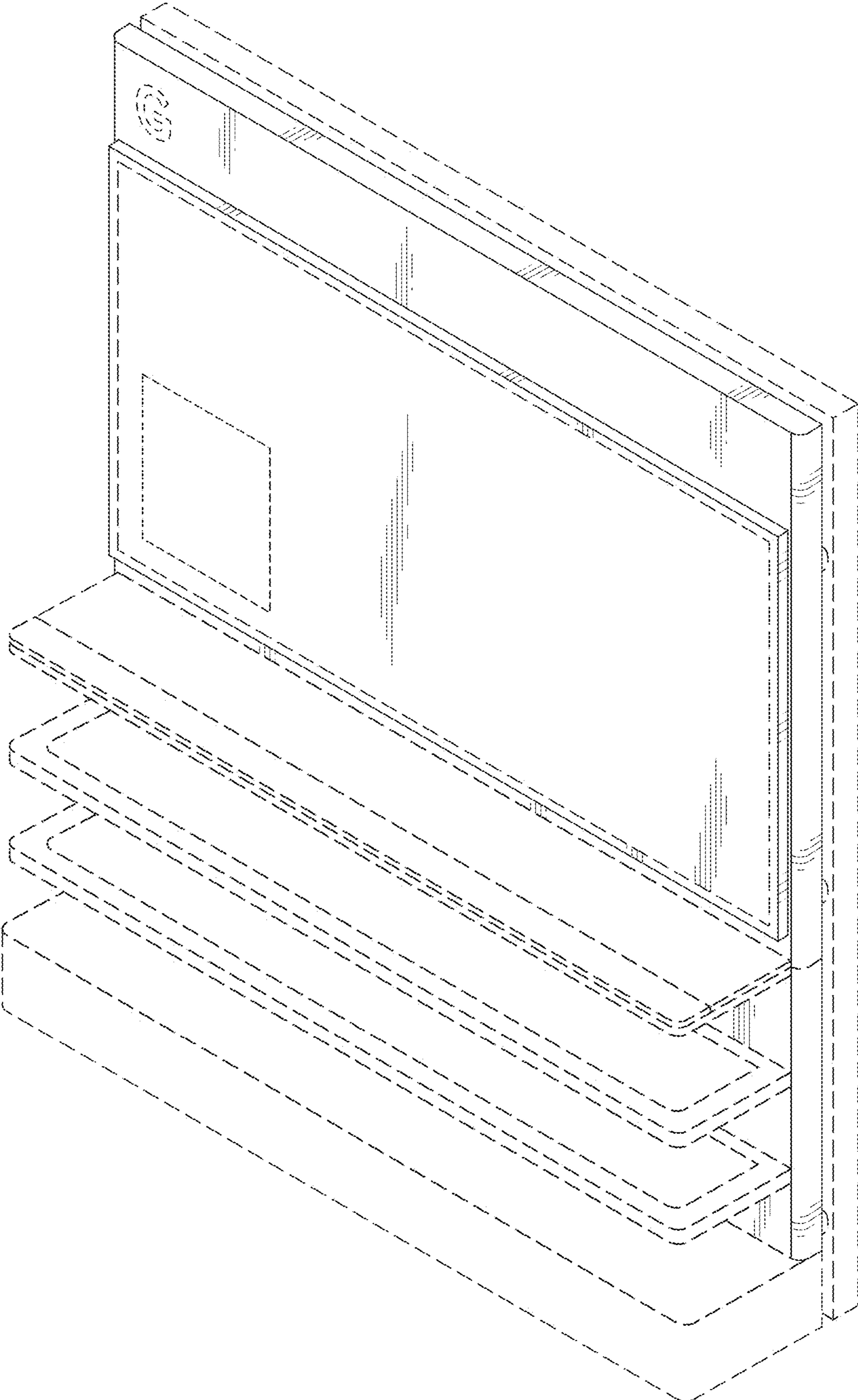


Fig. 1

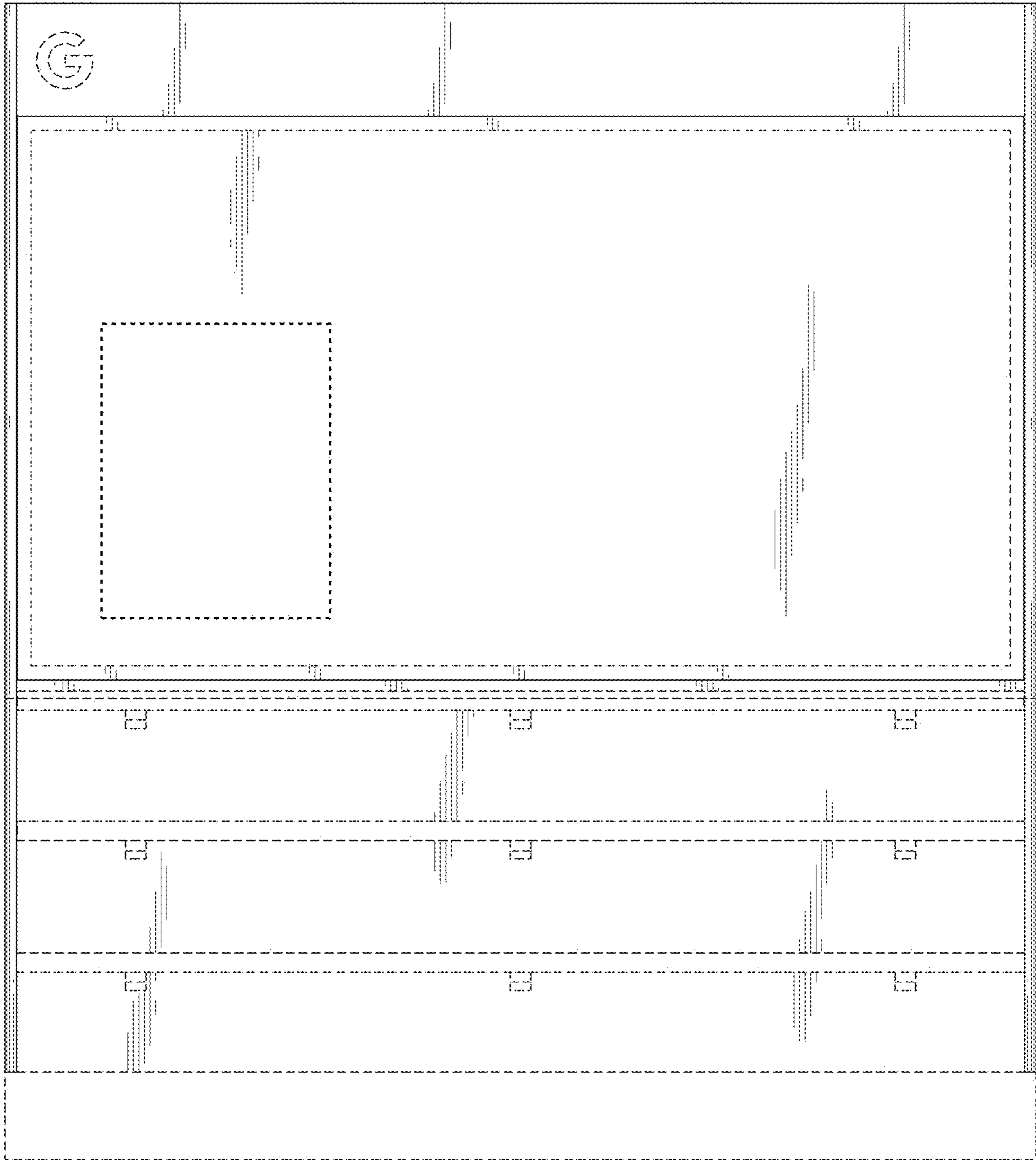


Fig. 2

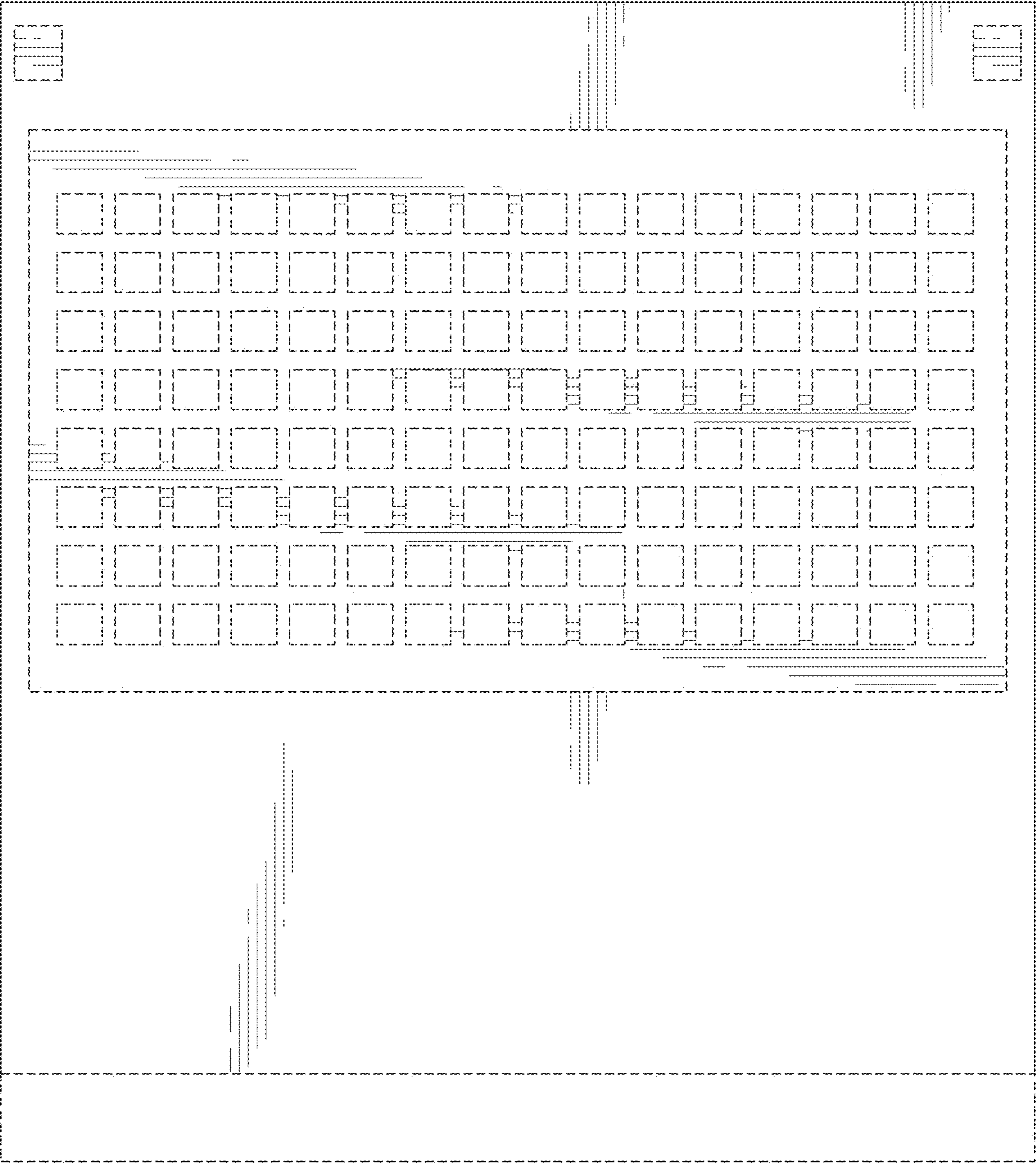


Fig. 3

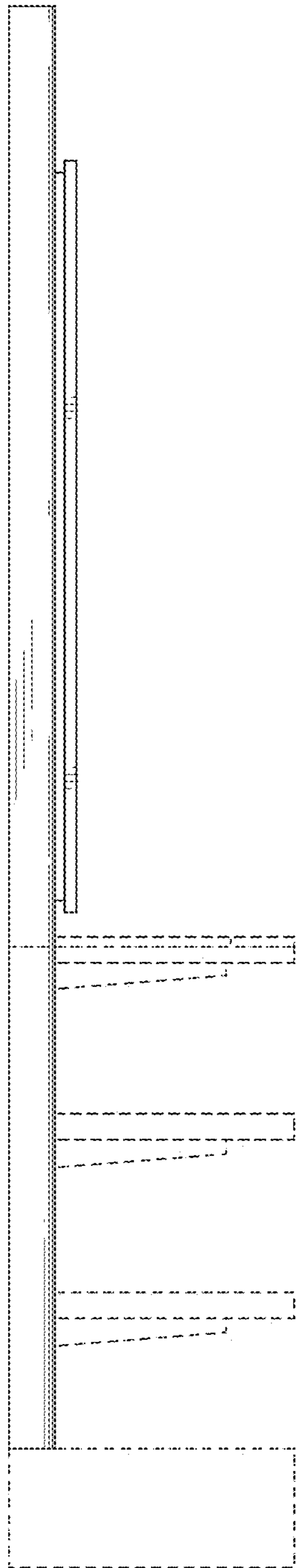


Fig. 4

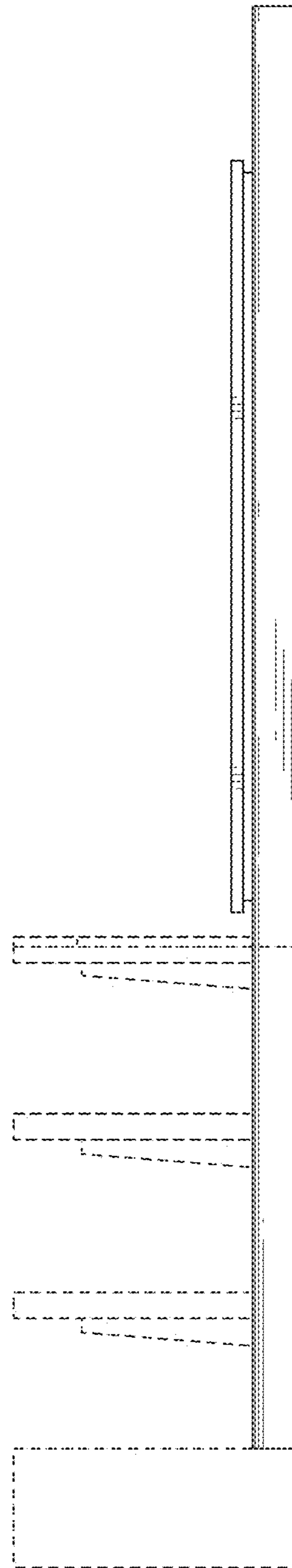


Fig. 5

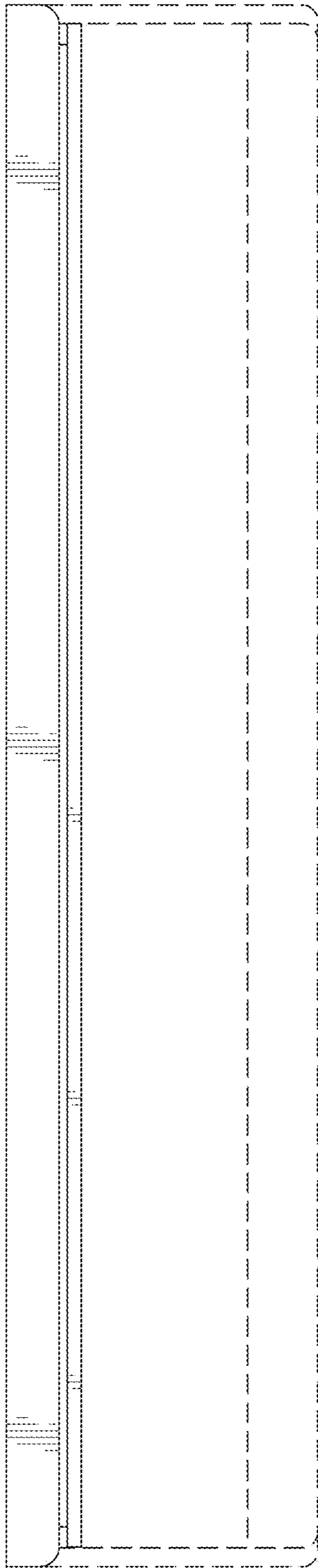


Fig. 6

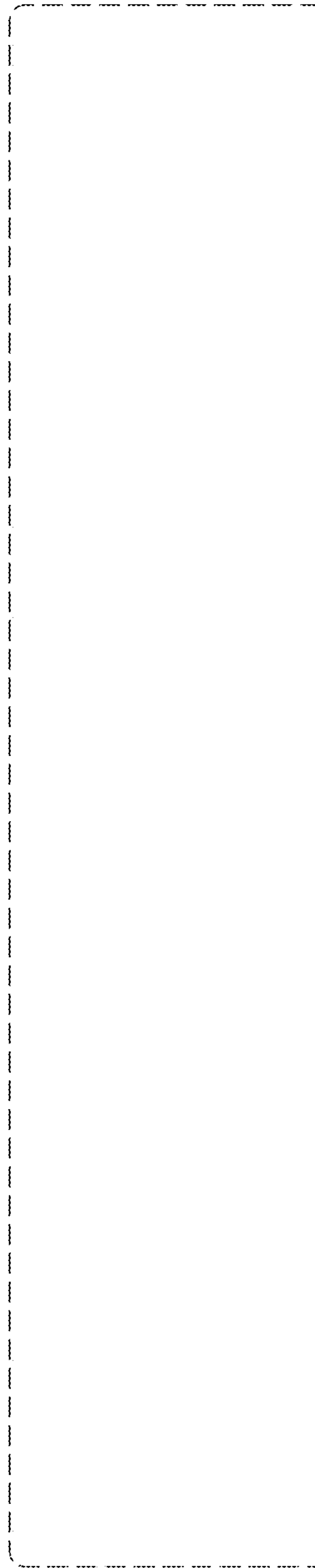


Fig. 7

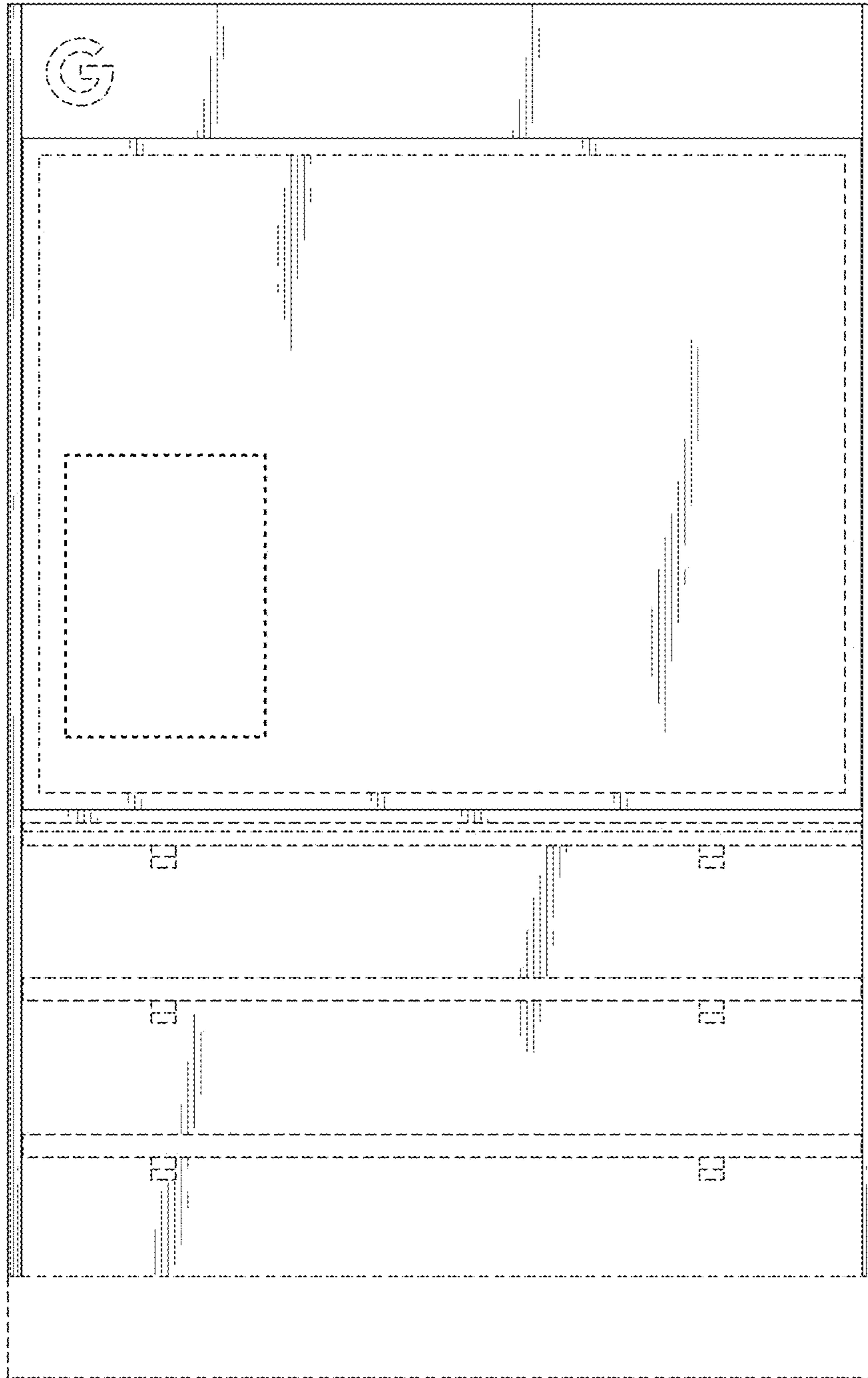


Fig. 8

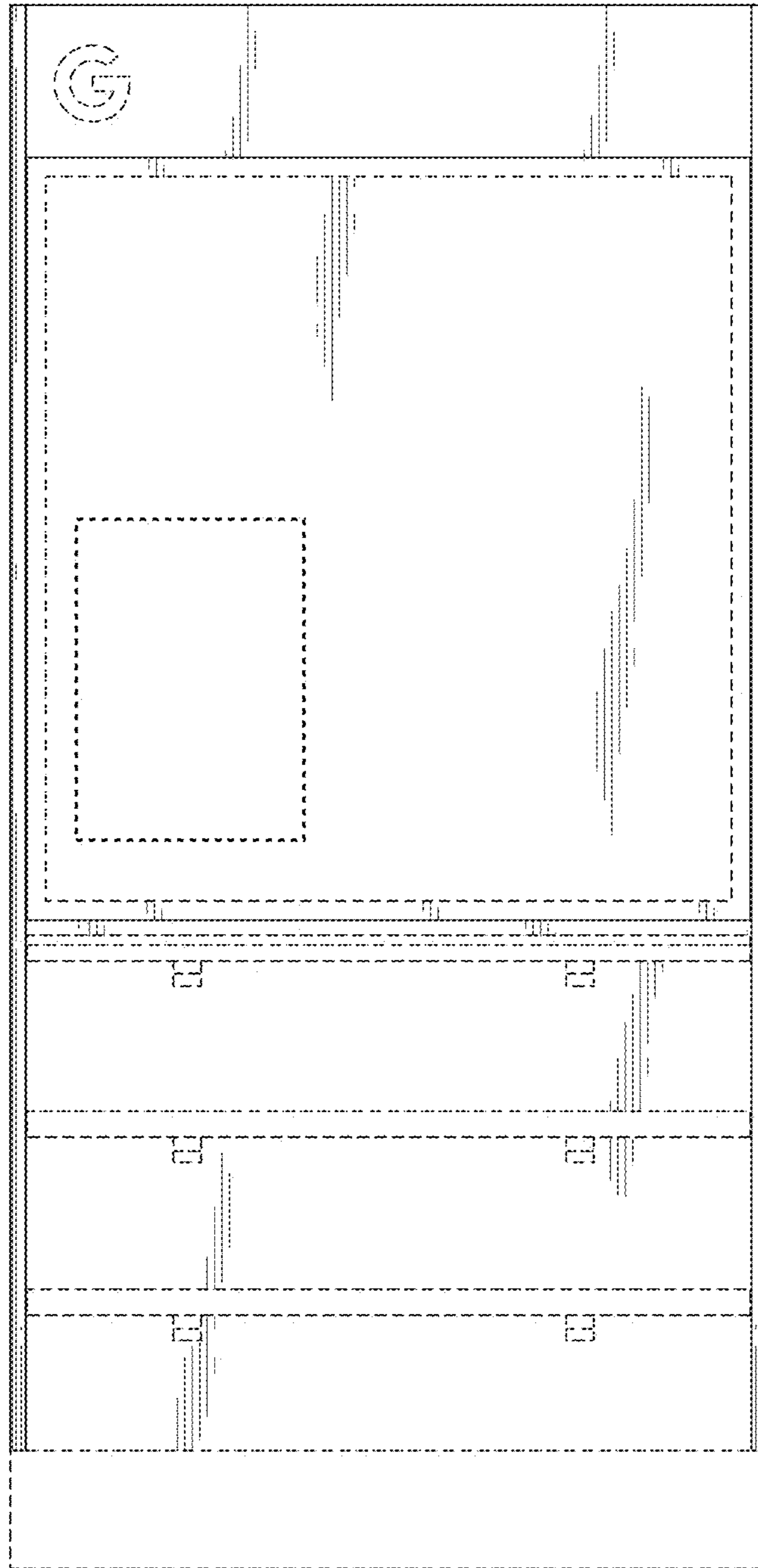


Fig. 9

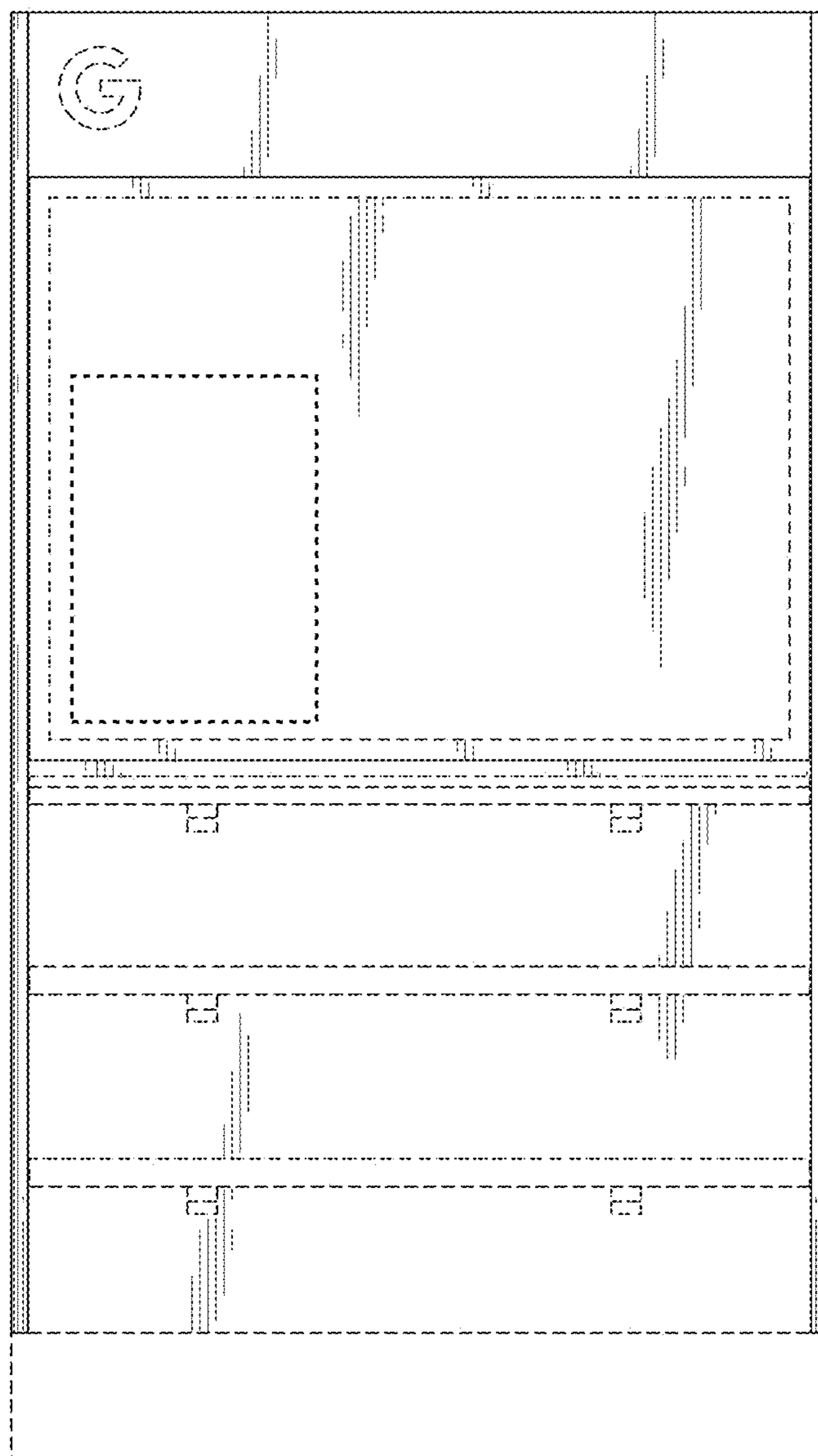


Fig. 10