



US00D871804S

(12) **United States Design Patent**
Segal

(10) **Patent No.:** **US D871,804 S**
(45) **Date of Patent:** **** Jan. 7, 2020**

(54) **PICTURE FRAME SAMPLE BOX**

(71) Applicant: **Simply Framed**, Maumee, OH (US)

(72) Inventor: **Dara Deshe Segal**, Denver, CO (US)

(73) Assignee: **SIMPLY FRAMED**, Maumee, OH (US)

(**) Term: **15 Years**

(21) Appl. No.: **29/627,571**

(22) Filed: **Nov. 28, 2017**

(51) **LOC (12) Cl.** **06-04**

(52) **U.S. Cl.**
USPC **D6/659**

(58) **Field of Classification Search**
USPC D6/302, 384, 515, 659, 663, 667, 671, D6/671.1, 675.1, 675; D3/269, 275, 296, D3/302, 304, 307, 309, 297, 903; D7/333, 368; D9/418, 432; D23/343, D23/332

CPC . A47F 3/043; A47F 7/03; A47F 7/021; A47B 49/004; A47B 88/90; A47B 2095/024; F25D 23/026; F25D 23/028; A45C 13/345; A45C 11/16; Y10S 220/26; B65D 5/48024; B65D 43/24; B65D 43/163; B65D 81/09; B65D 2251/105; G09F 5/02

See application file for complete search history.

(56) **References Cited**

U.S. PATENT DOCUMENTS

217,174 A * 7/1879 Turton B65D 43/24 217/60 R

1,116,285 A * 11/1914 Huston B65D 43/24 217/61

1,171,529 A * 2/1916 McKnight A47B 88/969 312/348.3

1,375,619 A * 4/1921 Vaughn B65D 43/24 217/61

1,488,913 A * 4/1924 Fuller A24F 15/12 206/266

1,526,213 A * 2/1925 Humphrey B65D 43/20 144/285

1,611,494 A * 12/1926 Strauss A45C 13/345 206/1.5

1,859,050 A * 5/1932 Poppe B65D 5/4204 206/765

1,861,124 A * 5/1932 Lorber B65D 3/04 206/216

D108,345 S * 2/1938 Pilliod D3/302

D108,580 S * 2/1938 Pilliod D3/302

3,351,183 A * 11/1967 Sammarco B65D 5/4233 206/45.2

D212,661 S * 11/1968 Gigliuto D28/9

3,411,653 A * 11/1968 Pearce B65D 43/163 16/378

3,592,201 A * 7/1971 Haddaway A45D 40/22 132/301

(Continued)

Primary Examiner — Kevin K Rudzinski
Assistant Examiner — Paul D Bohannon
(74) *Attorney, Agent, or Firm* — Amster, Rothstein & Ebenstein LLP

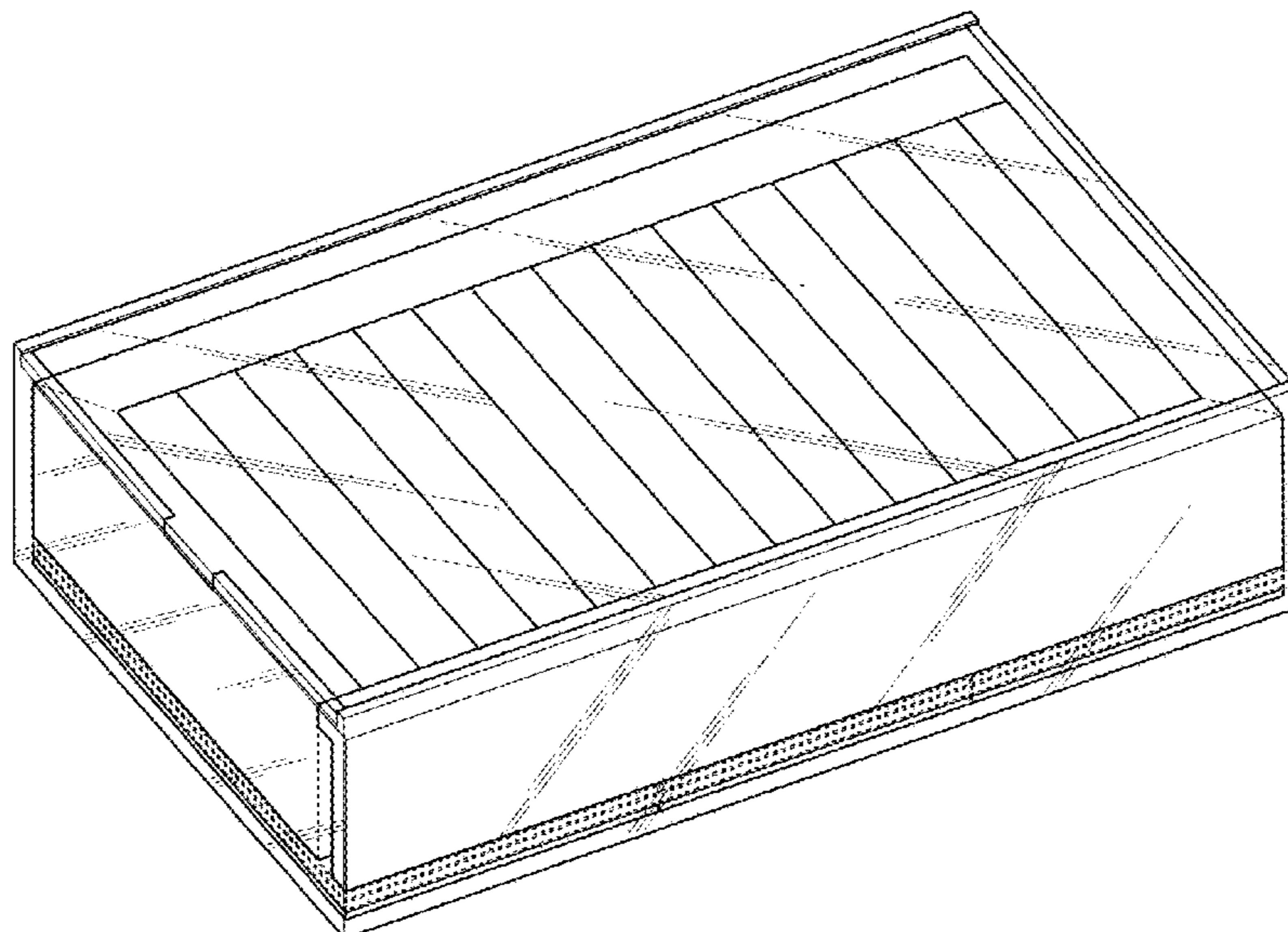
(57) **CLAIM**

The ornamental design for a picture frame sample box, as shown and described.

DESCRIPTION

FIG. 1 is a perspective view of a new design for a picture frame sample box;
FIG. 2 is a top view thereof;
FIG. 3 is a bottom view thereof;
FIG. 4 is a front view thereof;
FIG. 5 is a back view thereof;
FIG. 6 is a left side view thereof; and,
FIG. 7 is a right side view thereof.
The broken lines in FIGS. 1-7 illustrate environment only and do not form part of the claimed design.

1 Claim, 5 Drawing Sheets



(56)

References Cited

U.S. PATENT DOCUMENTS

D284,424	S	*	7/1986	Gotlib	D3/296
D317,382	S	*	6/1991	Polvere	D6/515
D391,406	S	*	3/1998	Field	D6/302
D423,249	S	*	4/2000	Hawang	D6/667
6,334,536	B1	*	1/2002	Kanning	B65D 5/48024
					206/419
D511,091	S	*	11/2005	Liwag	D3/304
D518,637	S	*	4/2006	DeCarlo	D3/283
D527,901	S	*	9/2006	Selsted	D3/302
D584,053	S	*	1/2009	Abdo	D3/302
D776,521	S	*	1/2017	Hardy	D9/418
D805,815	S	*	12/2017	Leonorovitz	D6/667
D810,458	S	*	2/2018	Cartier	D6/384
D812,933	S	*	3/2018	Leonorovitz	D6/667
D812,934	S	*	3/2018	Leonorovitz	D6/667
D822,188	S	*	7/2018	Pontillas	D23/343
D837,577	S	*	1/2019	Silkaitis	D6/683
D841,327	S	*	2/2019	Hsu	D3/297
D848,739	S	*	5/2019	Hsu	D3/297

* cited by examiner

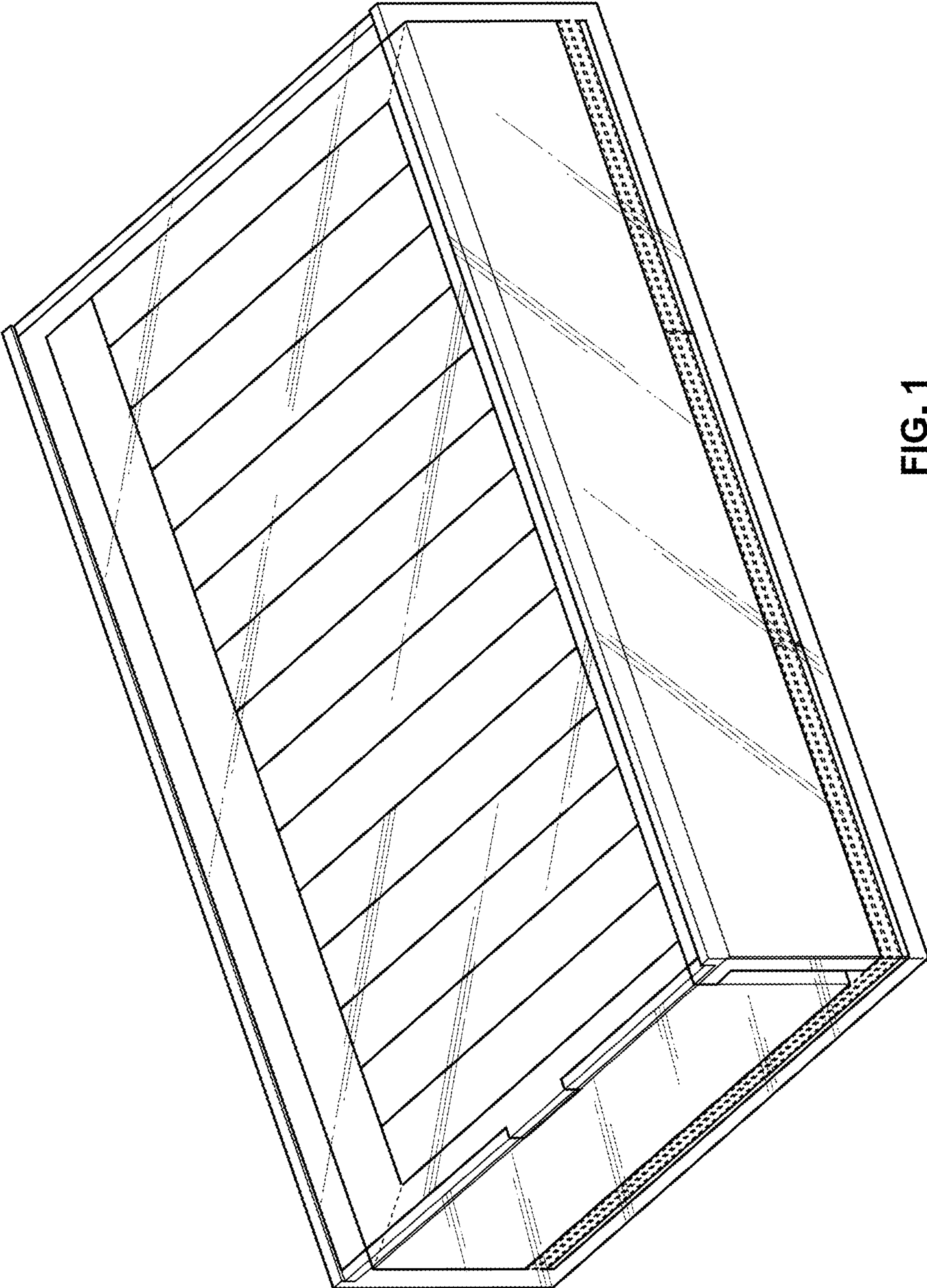


FIG. 1

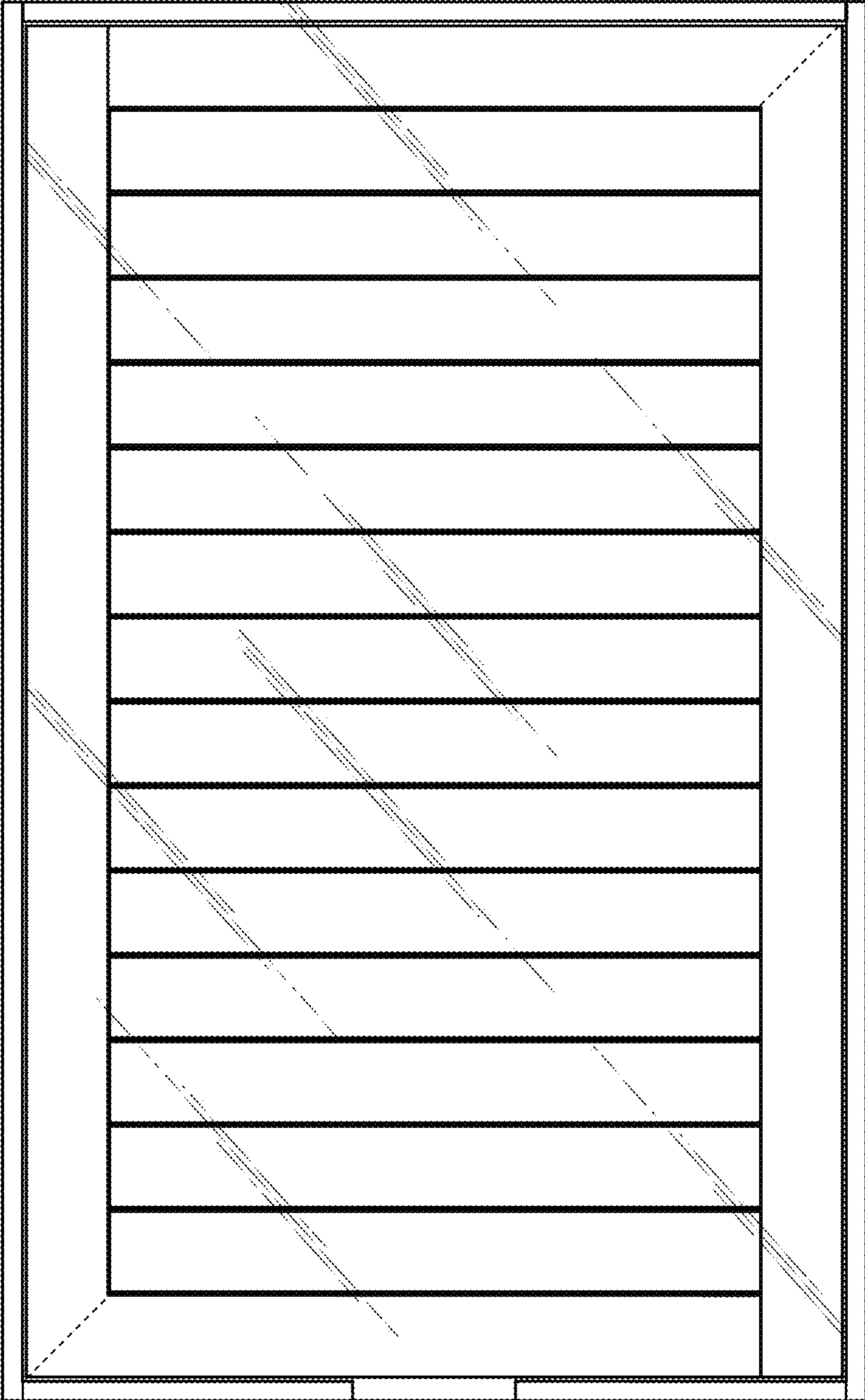


FIG. 2

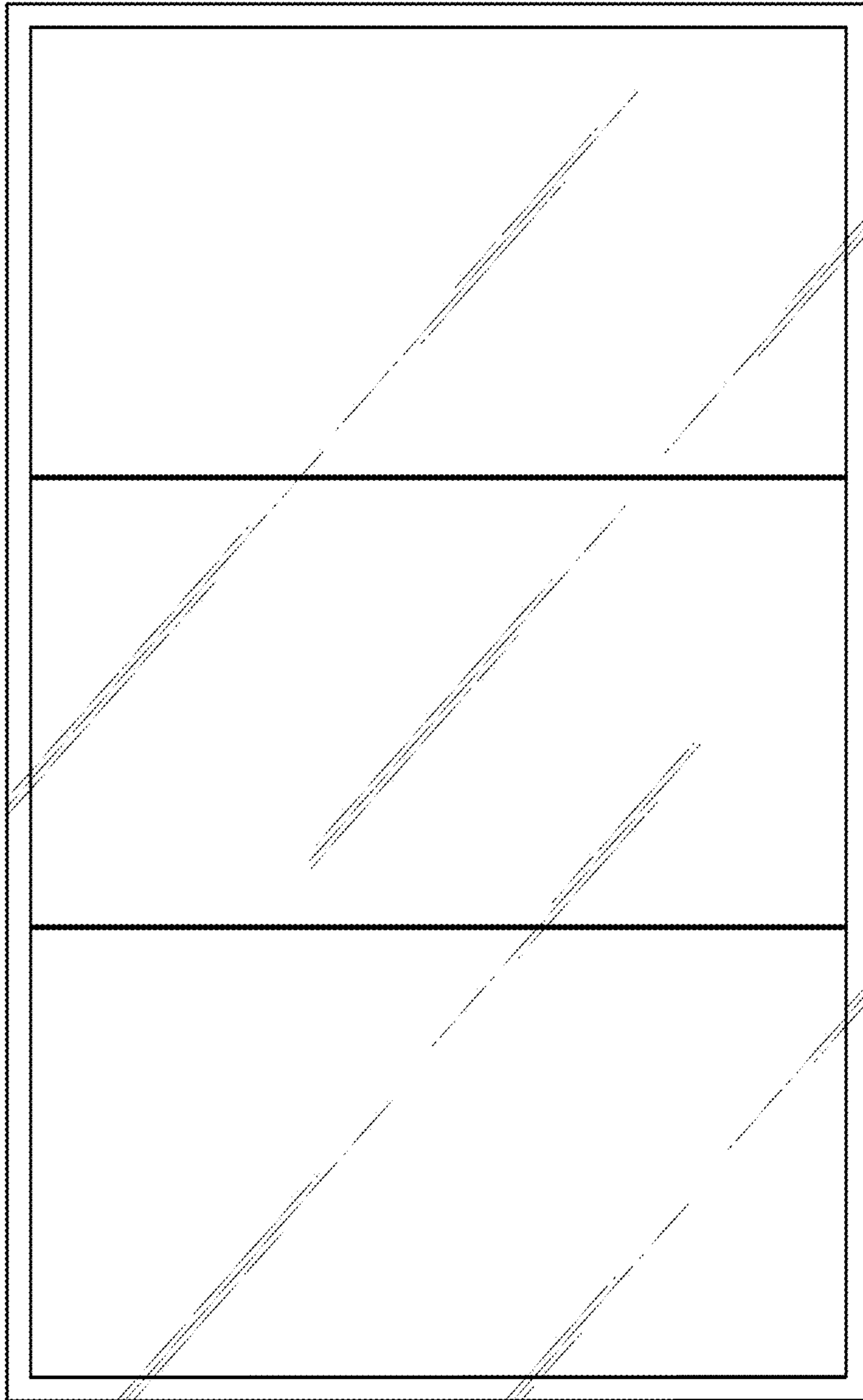


FIG. 3

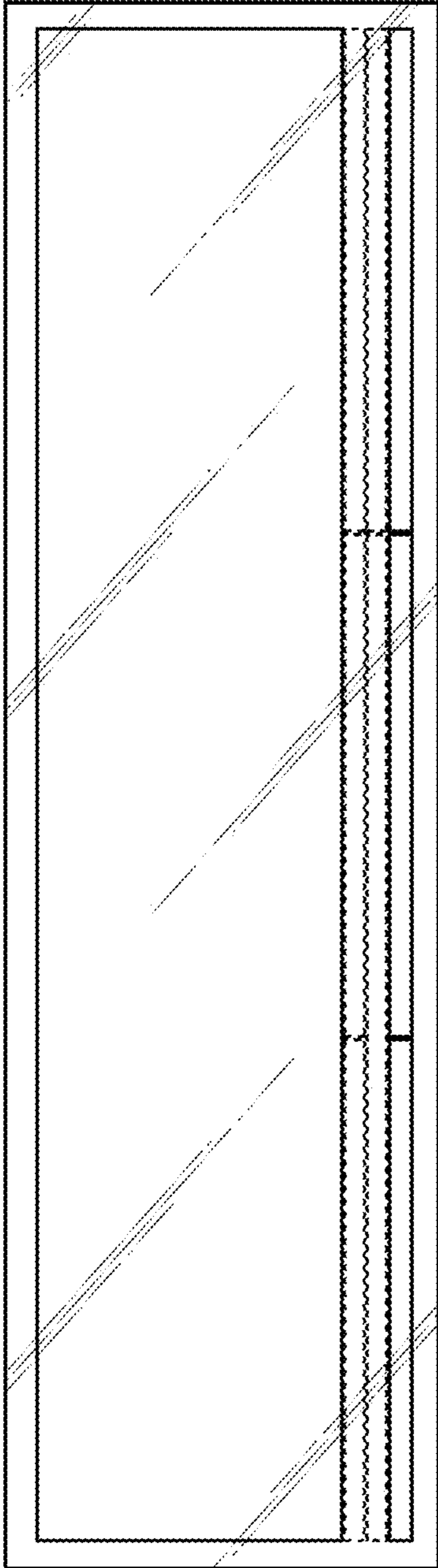


FIG. 4

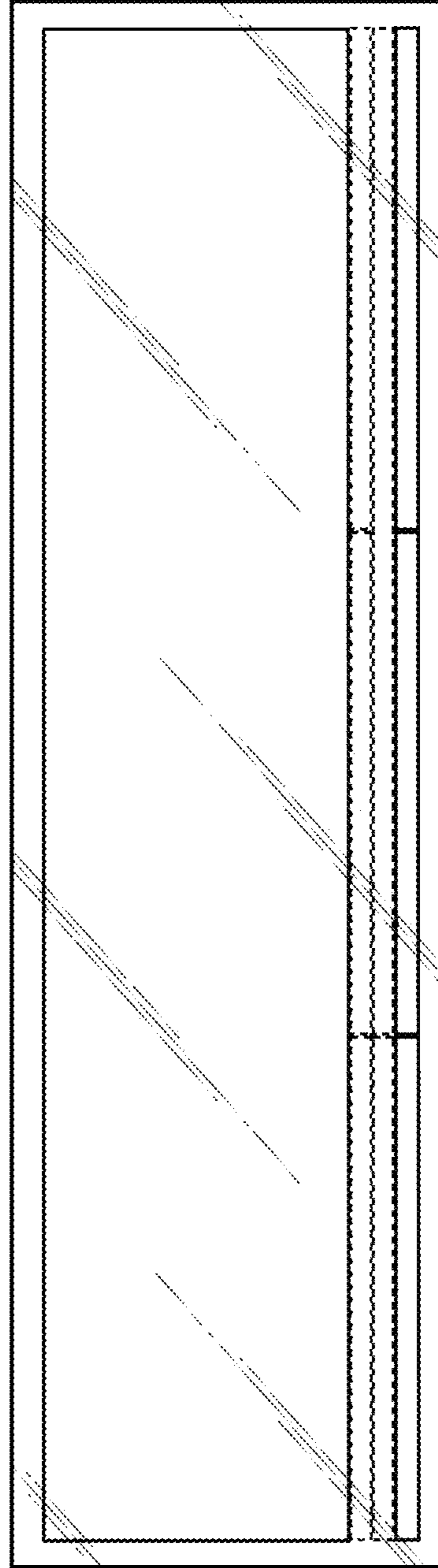


FIG. 5

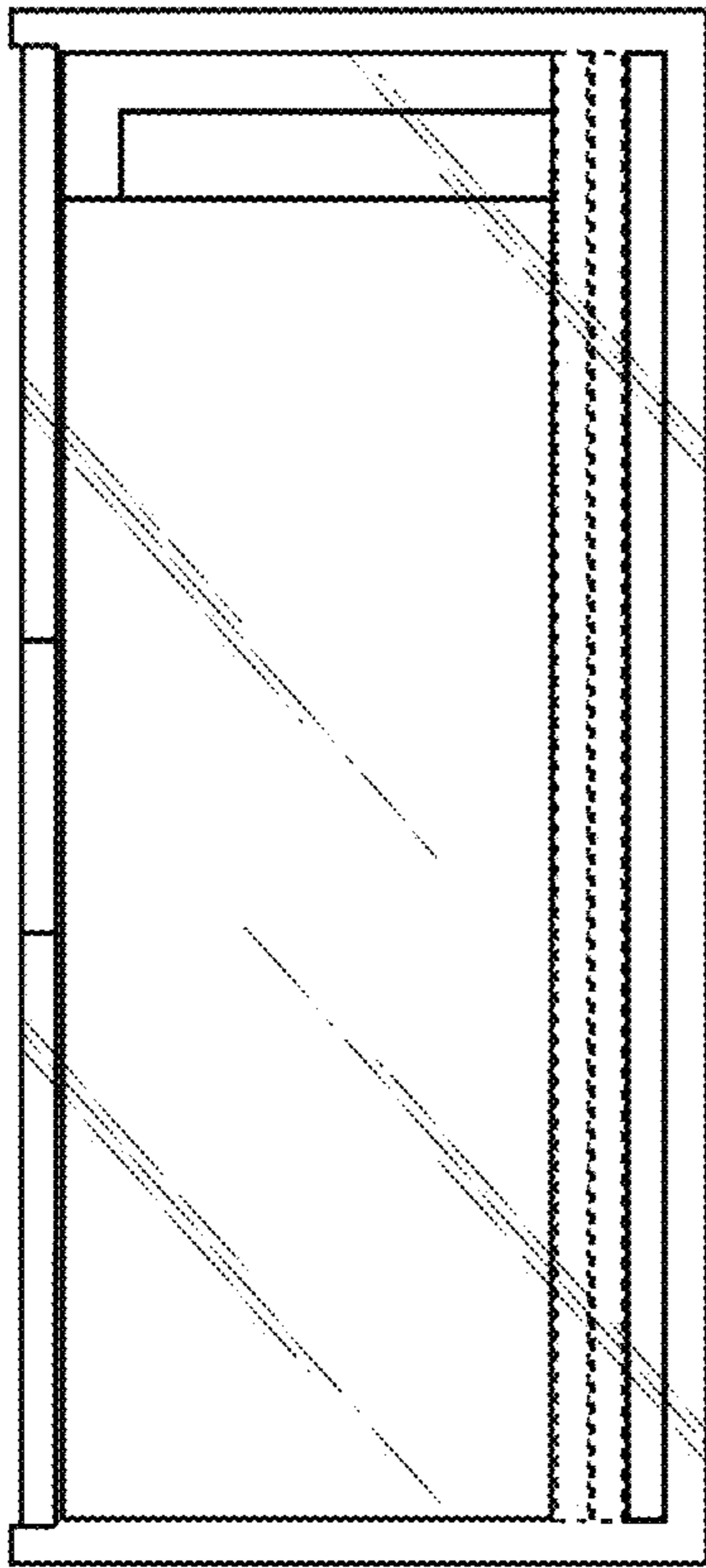


FIG. 6

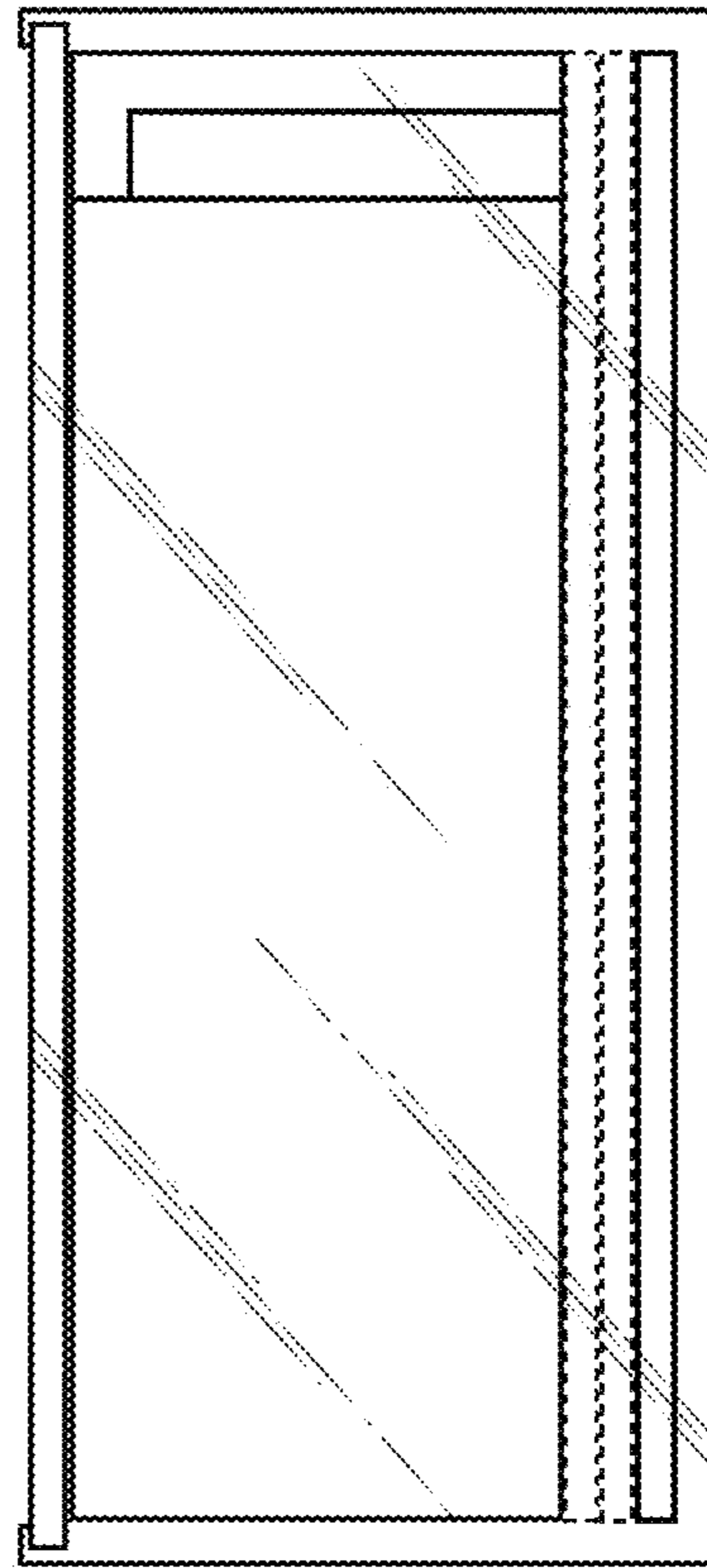


FIG. 7