



US00D871802S

(12) **United States Design Patent** (10) **Patent No.:** **US D871,802 S**
Seniff et al. (45) **Date of Patent:** **** Jan. 7, 2020**

(54) **PORTABLE PLAN TABLE**

(71) Applicants: **Tyler J. Seniff**, North Liberty, IN (US);
Jay F. Seniff, Rolling Prairie, IN (US);
Grant T. Seniff, Rolling Prairie, IN
(US); **Jarrel Mead**, North Liberty, IN
(US)

(72) Inventors: **Tyler J. Seniff**, North Liberty, IN (US);
Jay F. Seniff, Rolling Prairie, IN (US);
Grant T. Seniff, Rolling Prairie, IN
(US); **Jarrel Mead**, North Liberty, IN
(US)

(**) Term: **15 Years**

(21) Appl. No.: **29/598,750**

(22) Filed: **Mar. 28, 2017**

(51) **LOC (12) Cl.** **06-03**

(52) **U.S. Cl.**
USPC **D6/656.11**

(58) **Field of Classification Search**
USPC ... D6/656.11, 663, 671, 677, 687, 690, 691,
D6/691.1, 691.2, 691.3, 691.4, 691.5,
D6/693, 689, 691.9, 695, 695.2
CPC A47B 2009/006; A47B 11/00; A47B
2200/002

See application file for complete search history.

(56) **References Cited**

U.S. PATENT DOCUMENTS

3,848,544 A * 11/1974 Douglas A47B 3/0917
108/6
D233,872 S * 12/1974 Jester D6/691.1

D267,837 S * 2/1983 Migani D6/691.4
D302,771 S * 8/1989 Kubryk D6/691
D398,453 S * 9/1998 Stead D6/349
D408,176 S * 4/1999 Rollins D6/672
D416,148 S * 11/1999 Pagnon D6/691
D418,997 S * 1/2000 Leveen D6/656.11
D531,429 S * 11/2006 Henschel D6/349
D574,164 S * 8/2008 Lambert D6/656
D606,336 S * 12/2009 Henschel D6/690
D689,305 S * 9/2013 Mari D6/656
D775,486 S * 1/2017 Seniff D6/691.5
D784,740 S * 4/2017 Chipperfield D6/337
D790,893 S * 7/2017 Grossinger D6/691

* cited by examiner

Primary Examiner — Mary Ann Calabrese

(74) *Attorney, Agent, or Firm* — R. Tracy Crump

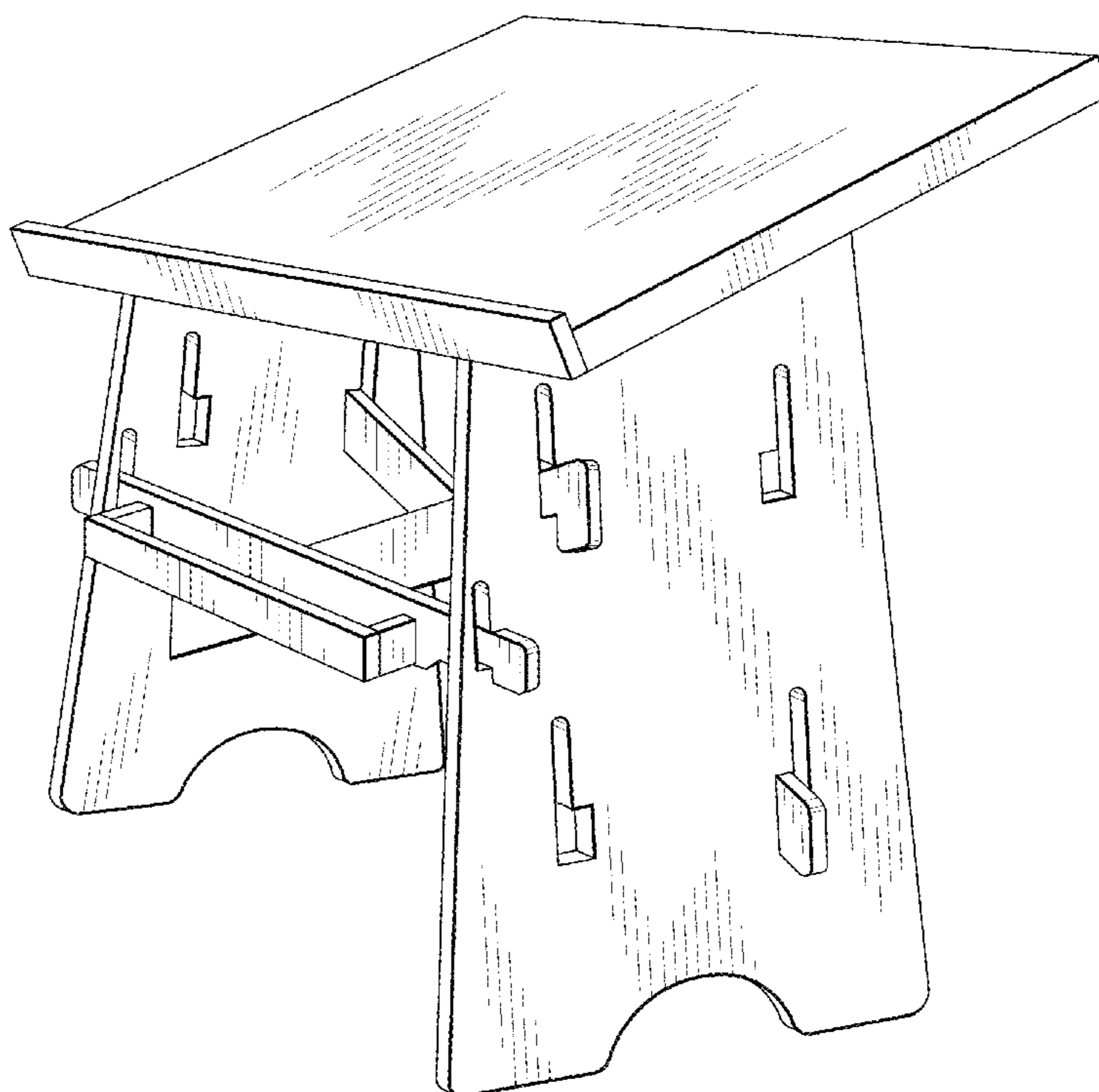
(57) **CLAIM**

We claim the ornamental design of a portable plan table, as shown and described.

DESCRIPTION

FIG. 1 is a perspective view of a portable plan table showing my design;
FIG. 2 is a front view thereof;
FIG. 3 is a back end view thereof;
FIG. 4 is a right side view thereof;
FIG. 5 is a left side view thereof;
FIG. 6 is a top view thereof; and,
FIG. 7 is a bottom view thereof.

1 Claim, 6 Drawing Sheets



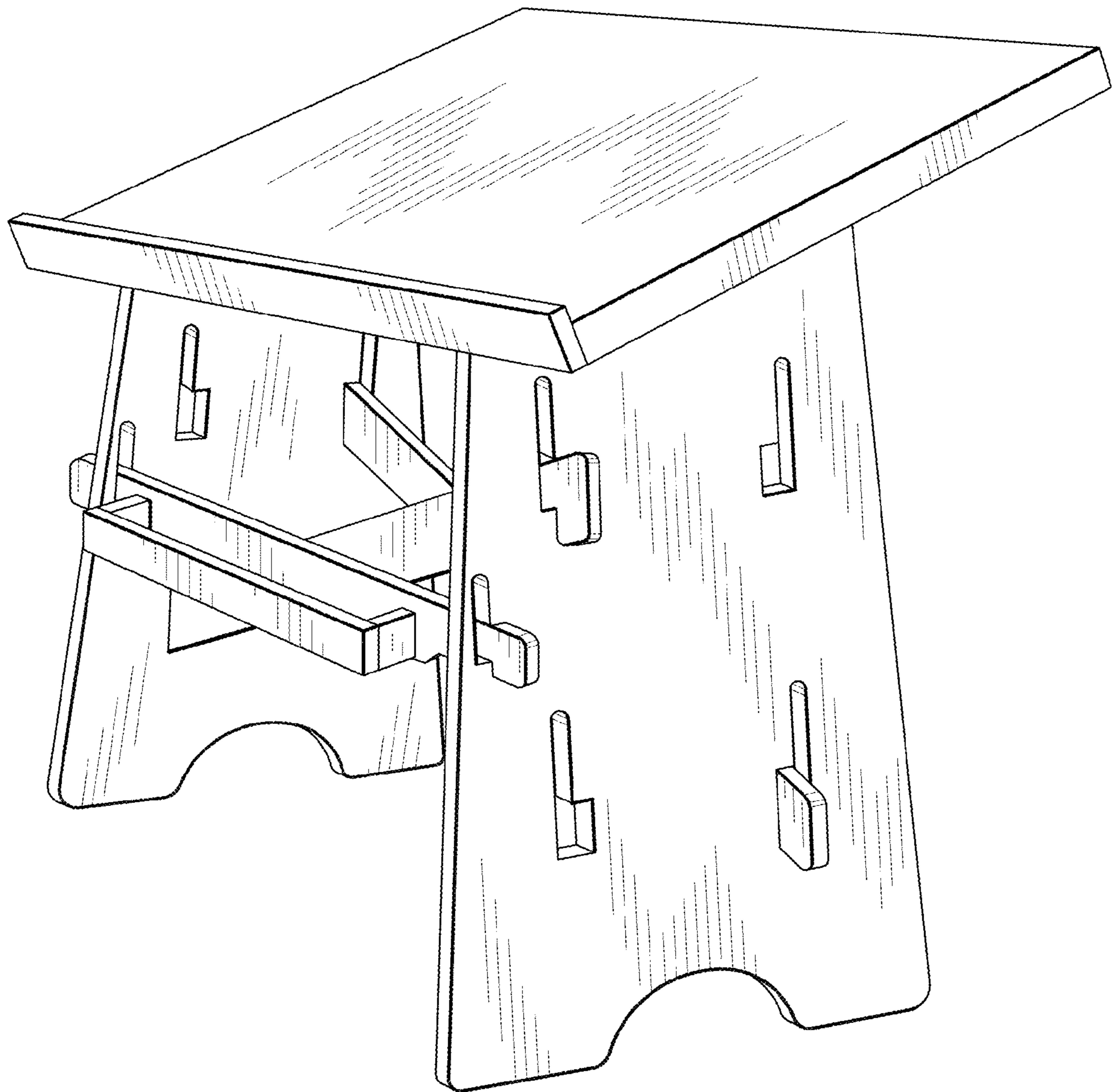


Fig. 1

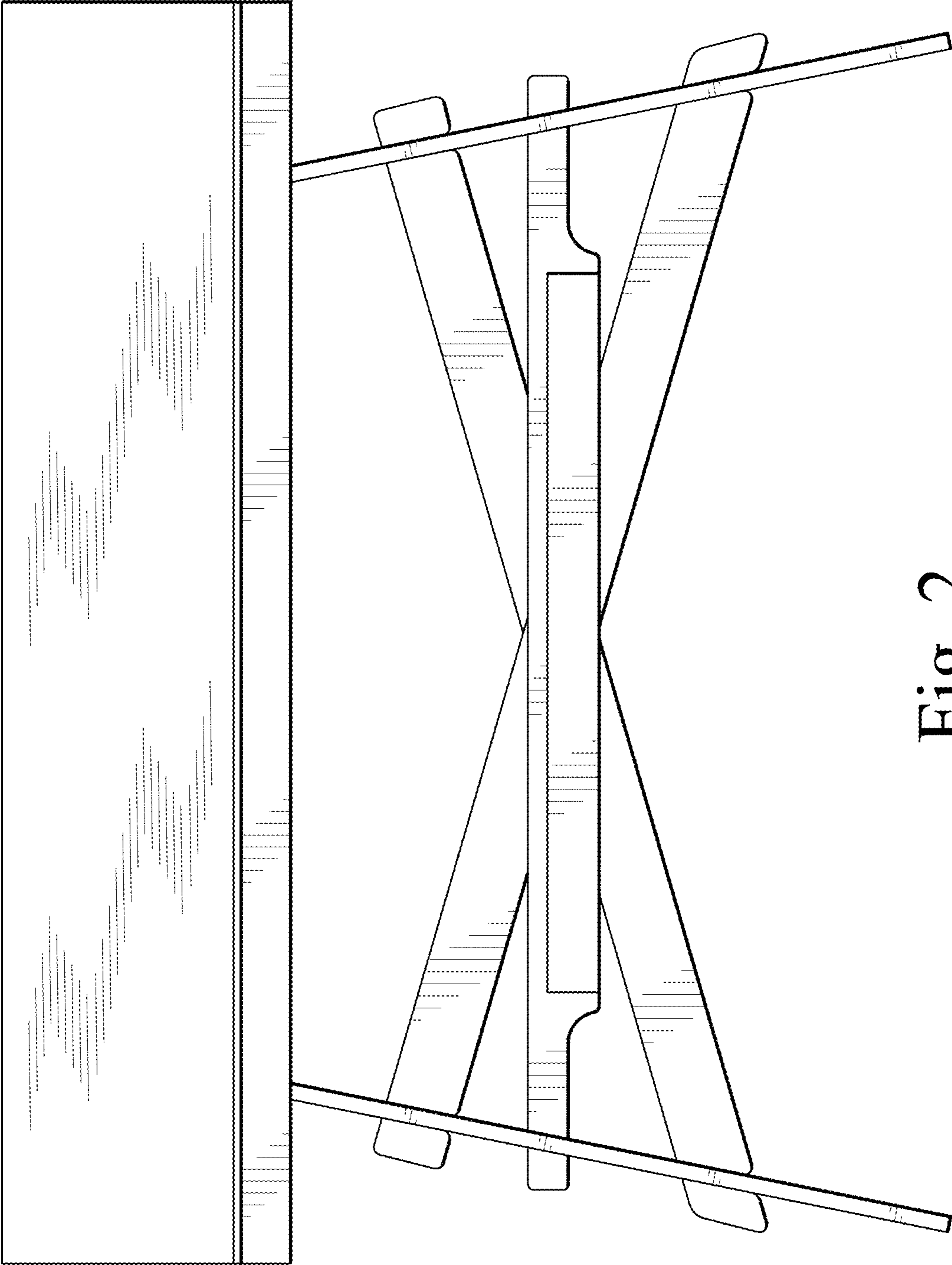


Fig. 2

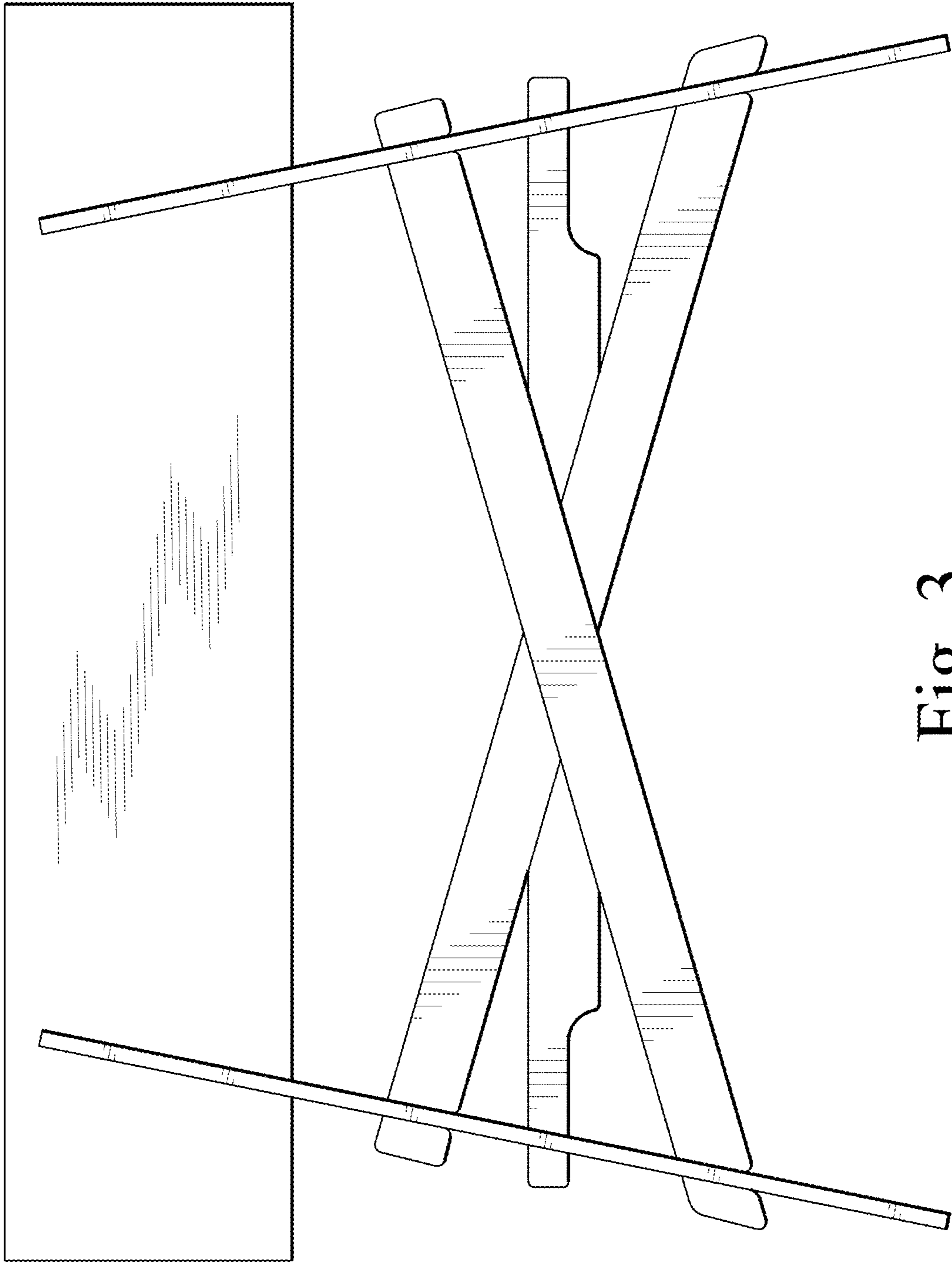


Fig. 3

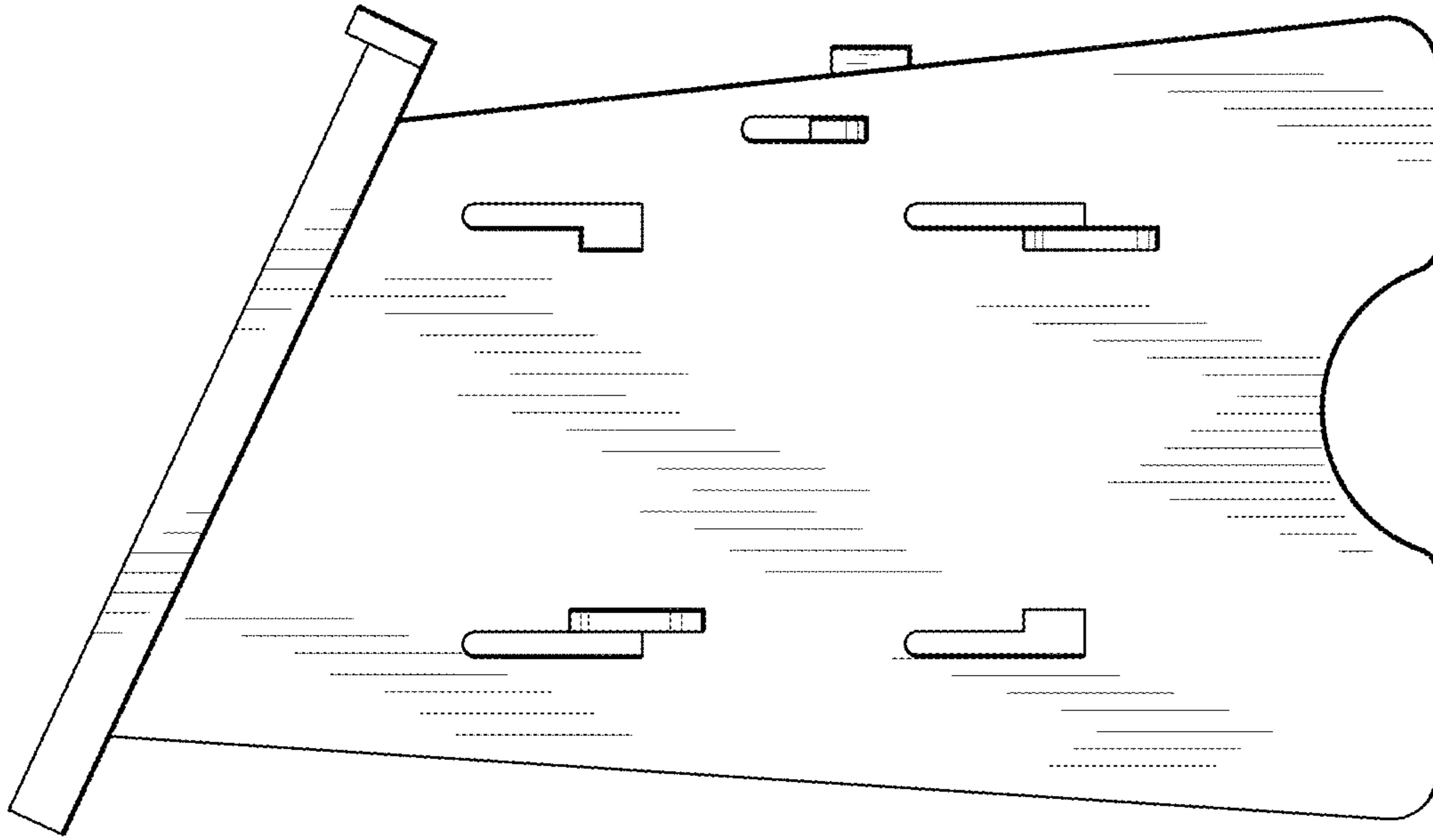


Fig. 5

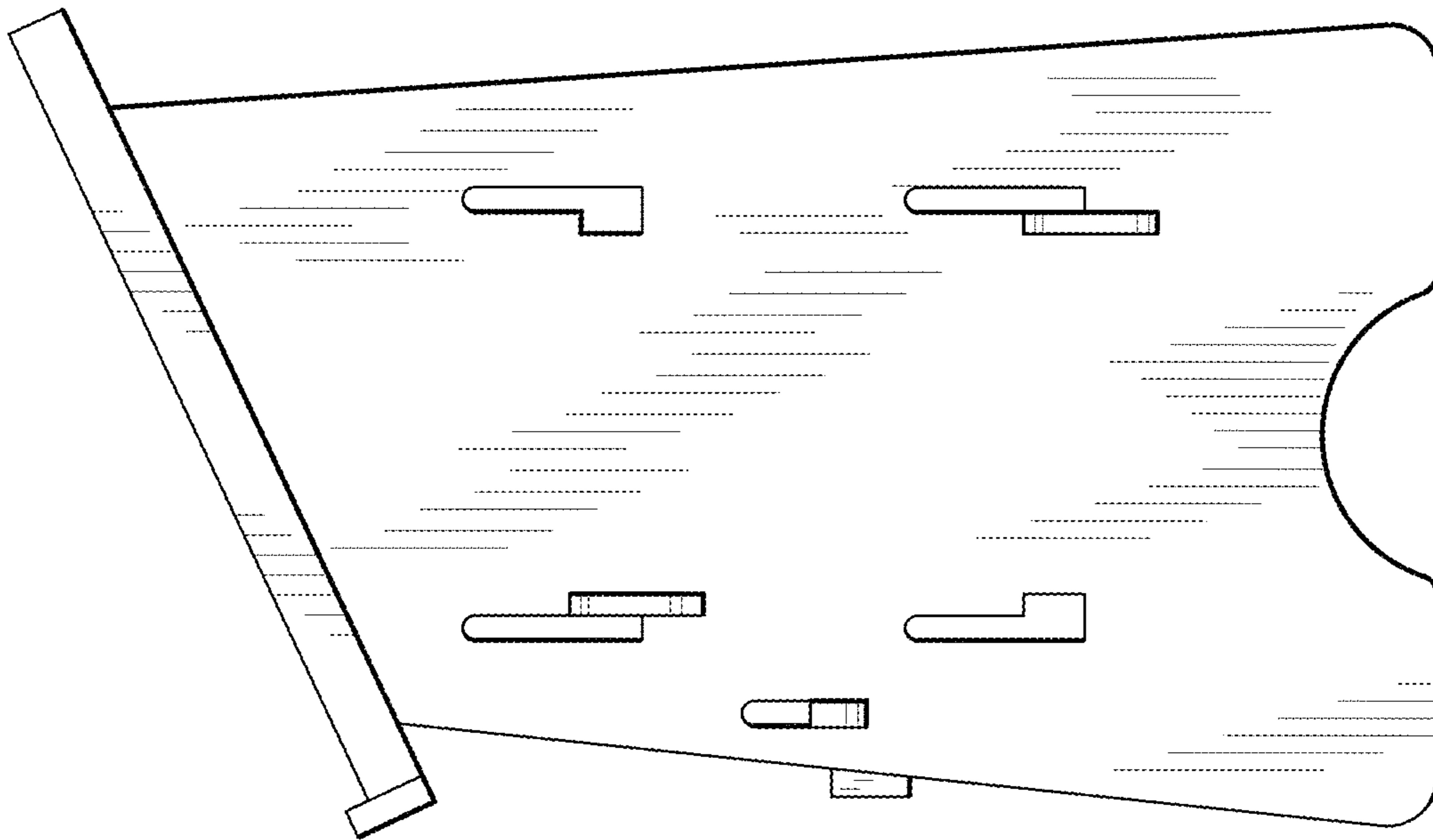


Fig. 4

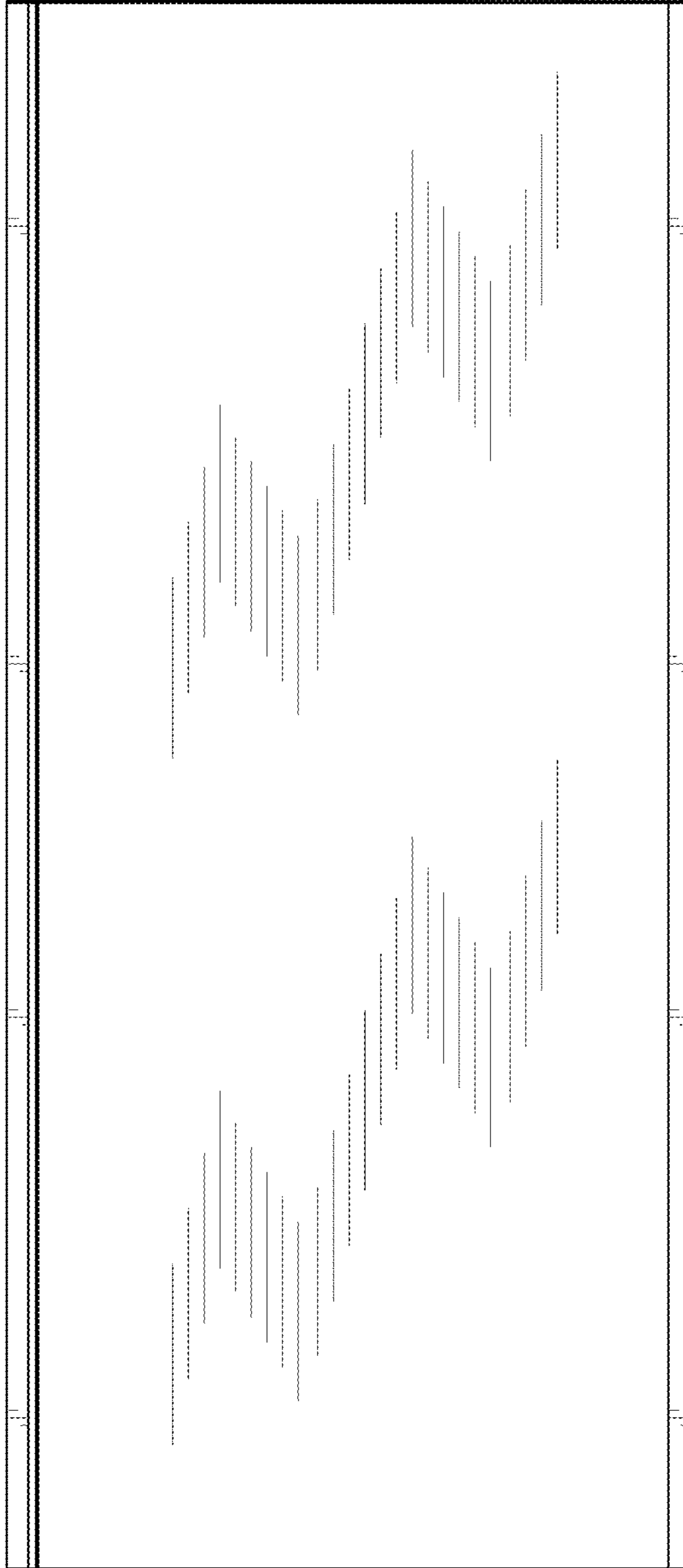


Fig. 6

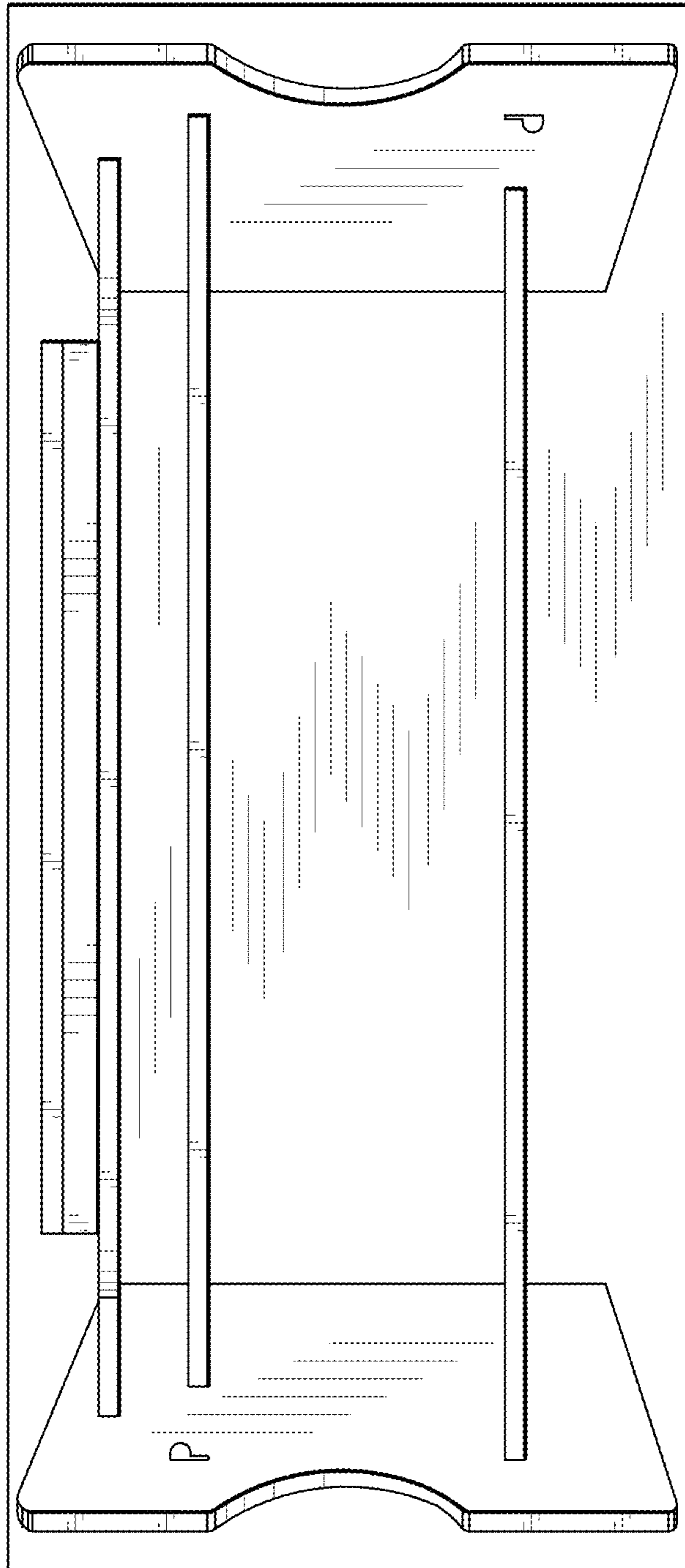


Fig. 7