



US00D871800S

(12) **United States Design Patent**
Williams et al.

(10) **Patent No.:** **US D871,800 S**
(45) **Date of Patent:** **** Jan. 7, 2020**

- (54) **TABLE**
- (71) Applicant: **Senator International Limited**,
Lancashire (GB)
- (72) Inventors: **David Llewellyn Williams**, Liverpool
(GB); **Wayne John Scholfield**, Surrey
(GB)
- (73) Assignee: **Senator International Limited**,
Lancashire (GB)

- D333,053 S * 2/1993 Hosoe D6/696.3
- D352,194 S * 11/1994 Hosoe D6/650
- D409,419 S * 5/1999 Wilkinson D6/643
- D411,776 S * 7/1999 Epp A47B 7/00
D6/696.3
- D596,877 S * 7/2009 Oshinomi A47B 21/0314
D6/691.5
- D702,068 S * 4/2014 Mitten A47B 83/001
D6/706
- D817,054 S * 5/2018 Hannoosh D6/714
- 2014/0265773 A1* 9/2014 Parshad A47B 83/001
312/237
- 2018/0310705 A1* 11/2018 Game A47B 21/0314

(**) Term: **15 Years**

* cited by examiner

(21) Appl. No.: **29/587,257**

Primary Examiner — Mary Ann Calabrese

(22) Filed: **Dec. 12, 2016**

(74) *Attorney, Agent, or Firm* — Adler Pollock &
Sheehan P.C.

(30) **Foreign Application Priority Data**

Jun. 13, 2016 (EM) 3188176-0005

(51) **LOC (12) Cl.** **06-03**

(52) **U.S. Cl.**
USPC **D6/643.1**

(58) **Field of Classification Search**
USPC D6/332, 641-643, 643.1, 644, 656,
D6/656.13-656.16, 714
CPC A47B 7/00; A47B 13/00; A47B 13/02;
A47B 13/08; A47B 13/10; A47B 21/00;
A47B 2200/0001; A47B 2200/0011;
A47B 2200/0066; A47B 2200/0012
See application file for complete search history.

(56) **References Cited**

U.S. PATENT DOCUMENTS

- D225,939 S * 1/1973 Torrey D6/643.1
- 3,756,169 A * 9/1973 Dybvig A47B 7/00
108/150

(57) **CLAIM**

The ornamental design for a table, as shown and described.

DESCRIPTION

FIG. 1 is perspective view of the table;
FIG. 2 is a one side elevation view of the table of FIG. 1;
FIG. 3 is a second elevation view of the table of FIG. 1;
FIG. 4 is a top plan view of the table of FIG. 1; and,
FIG. 5 is a bottom plan view of the table of FIG. 1.
The broken lines show portions of the article that form no
part of the claimed design.

1 Claim, 1 Drawing Sheet

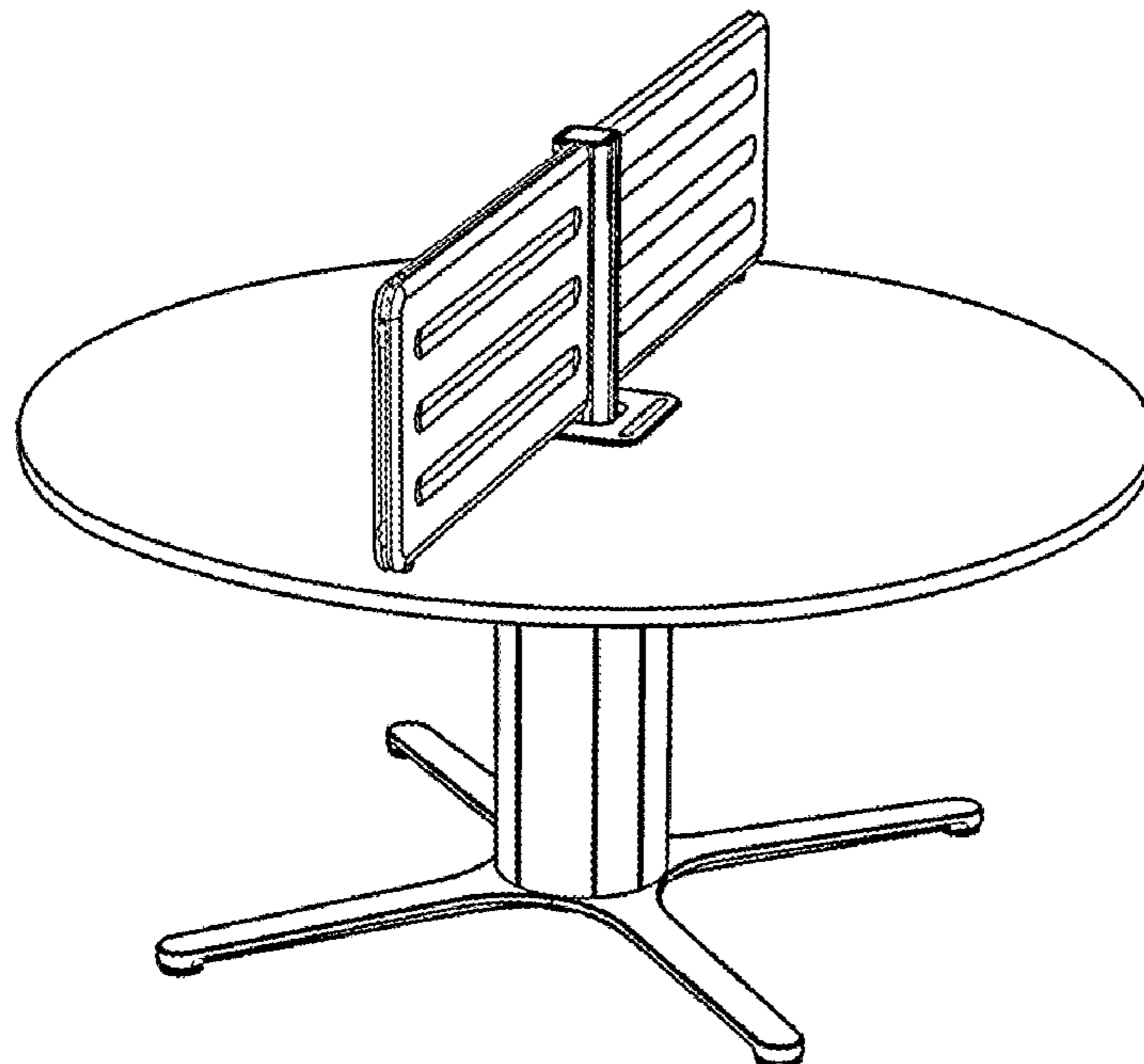


FIG. 4

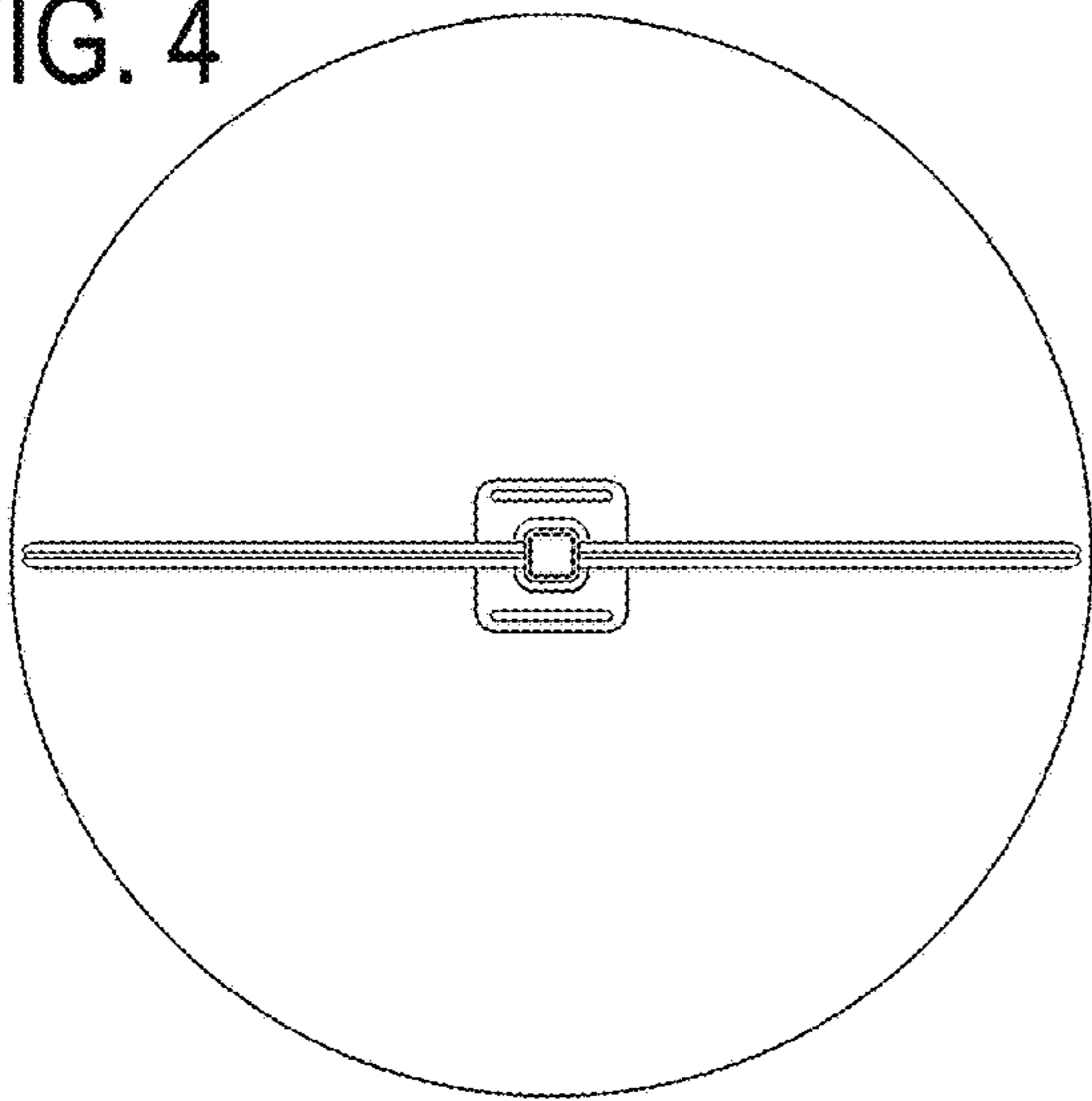


FIG. 2

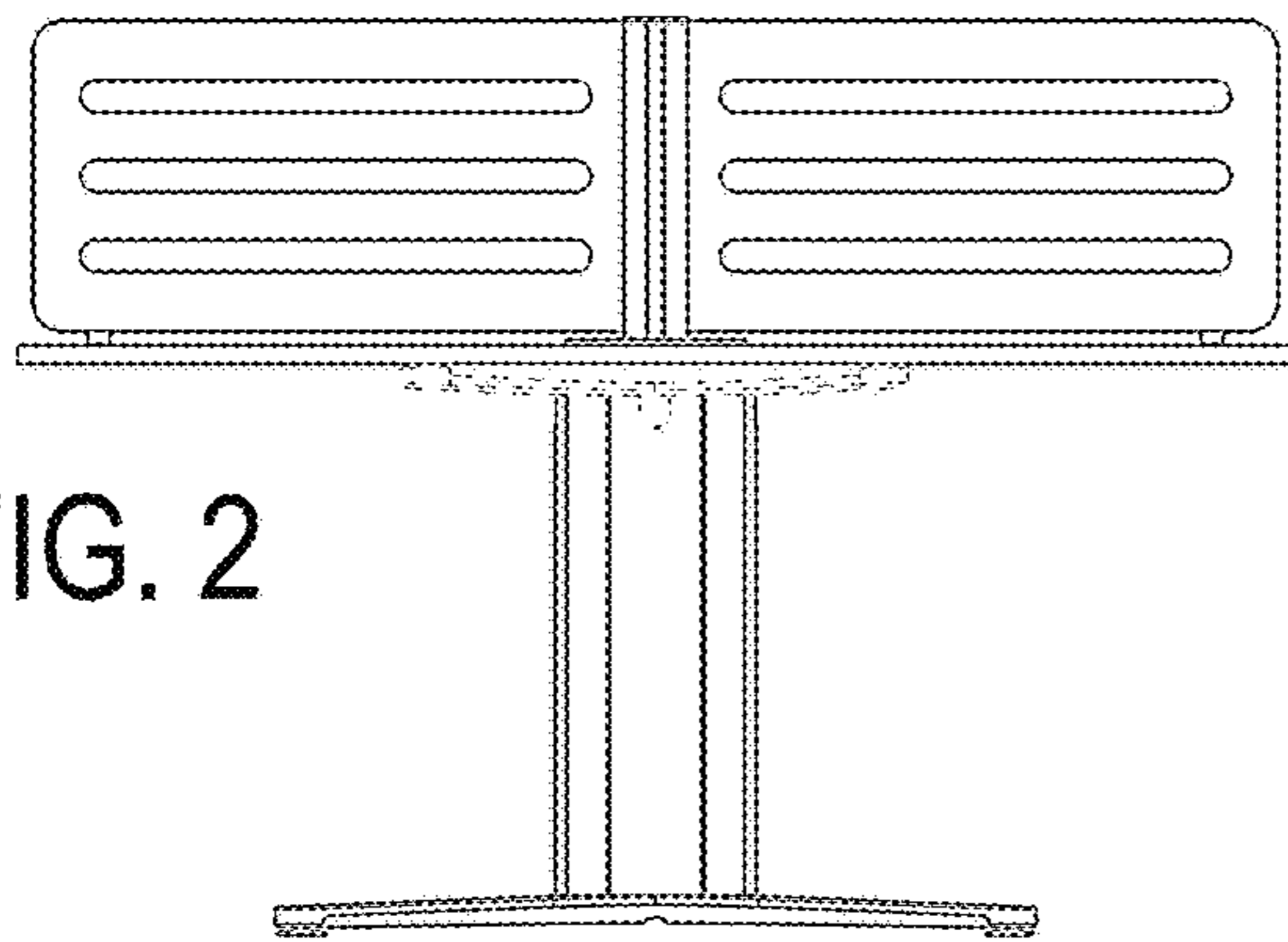


FIG. 3

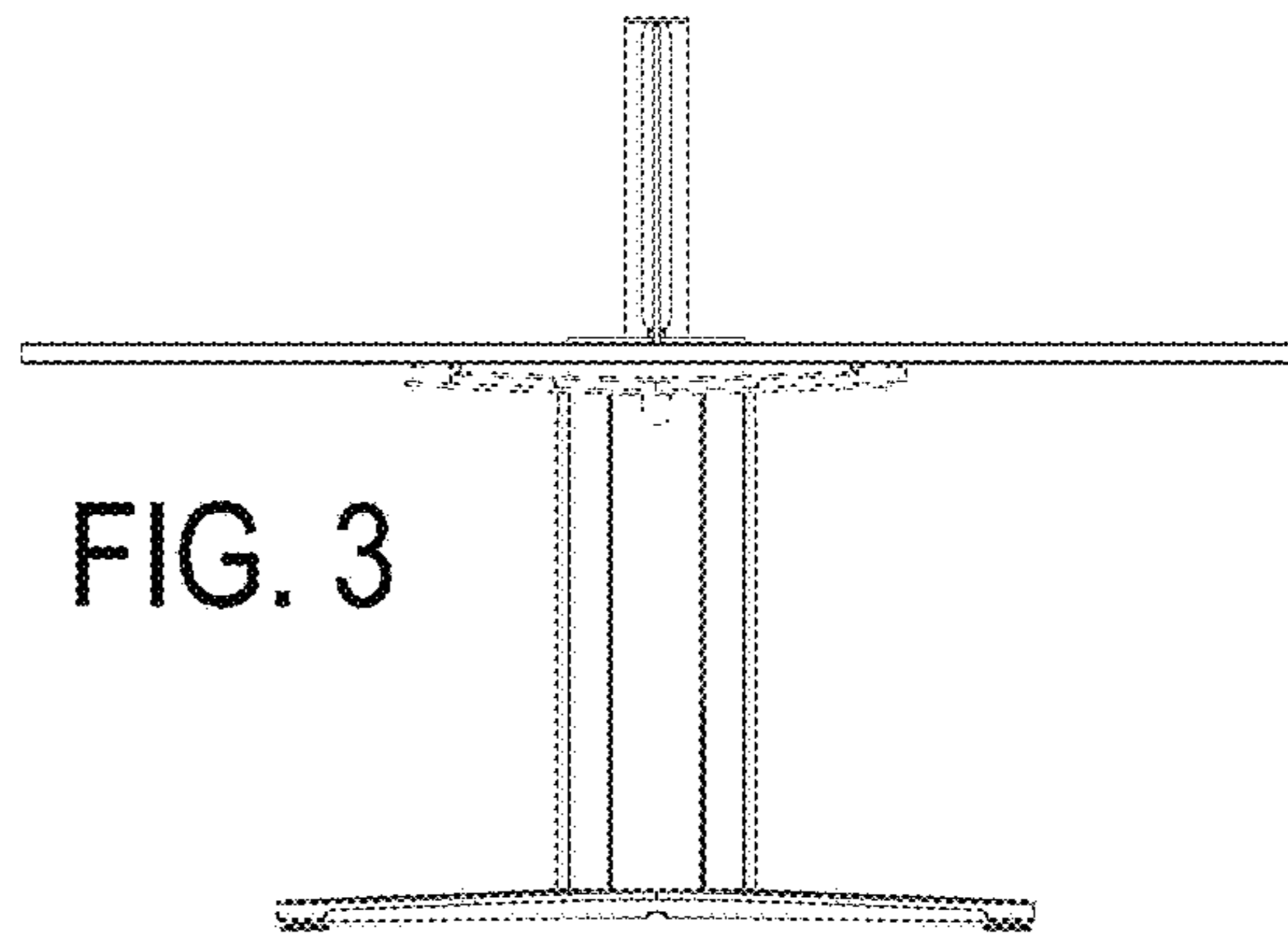


FIG. 5

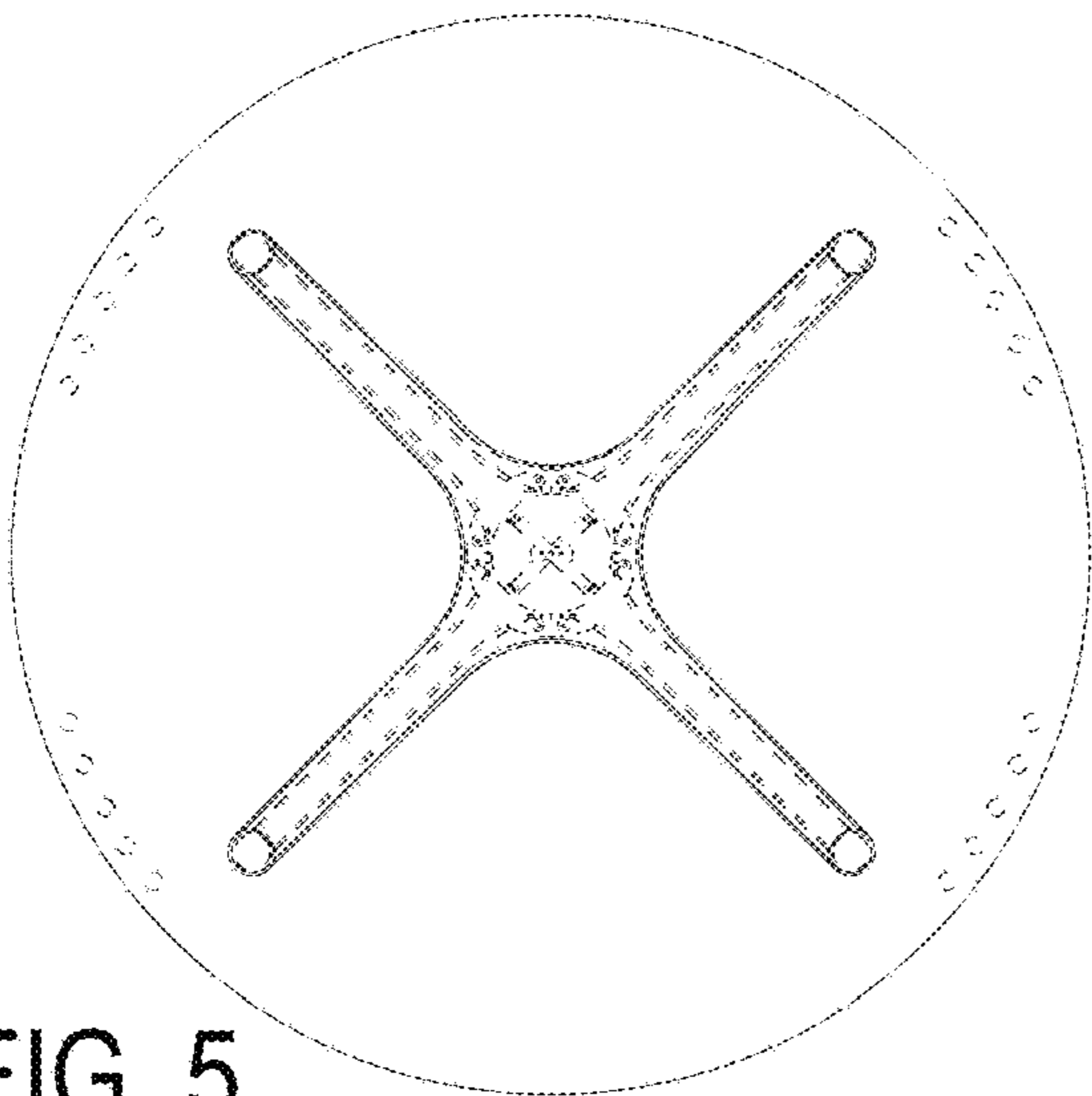


FIG. 1

