



US00D871799S

(12) **United States Design Patent** (10) **Patent No.:** **US D871,799 S**
Li (45) **Date of Patent:** **** Jan. 7, 2020**

- (54) **SEAT CUSHION** D568,085 S * 5/2008 Pawsey D6/601
- (71) Applicant: **Xiamen Comfier Technology Co., Ltd., Fujian (CN)** D577,530 S * 9/2008 Hsu D6/596
- (72) Inventor: **Jianqing Li, Fujian (CN)** D763,015 S * 8/2016 Aminov D6/611
- (**) Term: **15 Years** D768,412 S * 10/2016 Ngo D6/611
- (21) Appl. No.: **29/631,339** D779,857 S * 2/2017 Goddard D6/601
- (22) Filed: **Dec. 29, 2017** D796,857 S * 9/2017 Goddard D6/356
- (51) **LOC (12) Cl.** **06-13** D826,798 S * 8/2018 Behmer D12/163
- (52) **U.S. Cl.** **D6/611** D827,336 S * 9/2018 Larsen D6/611
- (58) **Field of Classification Search** D829,324 S * 9/2018 Fitter D24/125
- USPC **D6/611, 601, 716, 356, 596; D12/163; D24/125** D832,017 S * 10/2018 Chadwick D6/716
- CPC **A47C 3/0255; A47C 3/029; A47C 3/027; A47C 3/02; A47C 3/04; A47C 3/34; A47C 4/03; A47C 4/04; A47C 5/12; A47C 9/007; A47C 7/506; A47C 7/52; A47C 15/008; A47C 17/84; A47C 31/00; A45F 3/22; A45F 3/24; A45F 3/26; A63G 9/00; A63G 9/02; A47D 13/10; A47D 13/105; B60N 2/60; B60N 2/2881; B60N 2/6081; B60N 2/6036** D833,176 S * 11/2018 Wang D6/601

* cited by examiner

Primary Examiner — Kevin K Rudzinski
Assistant Examiner — Paul D Bohannon
(74) *Attorney, Agent, or Firm* — Prakash Nama; Global IP Services, PLLC

(57) **CLAIM**

The ornamental design for a seat cushion, as shown and described.

DESCRIPTION

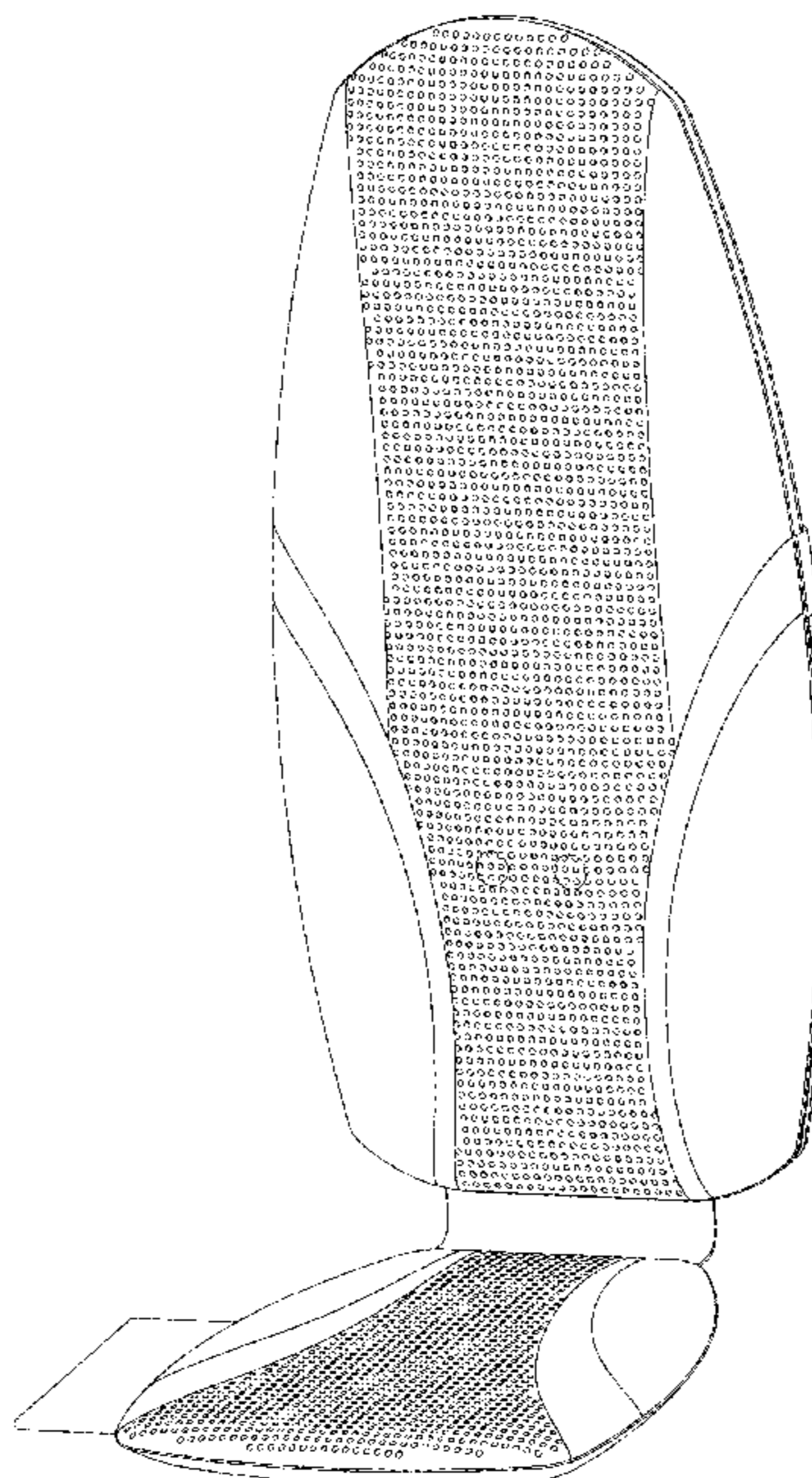
FIG. 1 is a front elevational view of a seat cushion showing my new design;
FIG. 2 is a rear elevational view thereof;
FIG. 3 is a left side view thereof;
FIG. 4 is a right side view thereof;
FIG. 5 is a top plan view thereof;
FIG. 6 is a bottom plan view thereof;
FIG. 7 is a perspective view thereof;
FIG. 8 is another perspective view thereof;
FIG. 9 is a perspective view in state of use; and,
FIG. 10 is another perspective view in state of use.
The broken lines shown in FIG. 10 are for the purpose of illustrating environmental subject matter and form no part of the claimed design.

1 Claim, 8 Drawing Sheets

(56) **References Cited**

U.S. PATENT DOCUMENTS

- D276,846 S * 12/1984 Widlund D24/125
- D404,238 S * 1/1999 Keilhauer D6/601
- D424,337 S * 5/2000 Smith D6/716
- D425,341 S * 5/2000 Smith D6/716
- D440,452 S * 4/2001 Roberts D6/601
- D446,983 S * 8/2001 Roberts D6/601
- D552,387 S * 10/2007 Wu D6/366



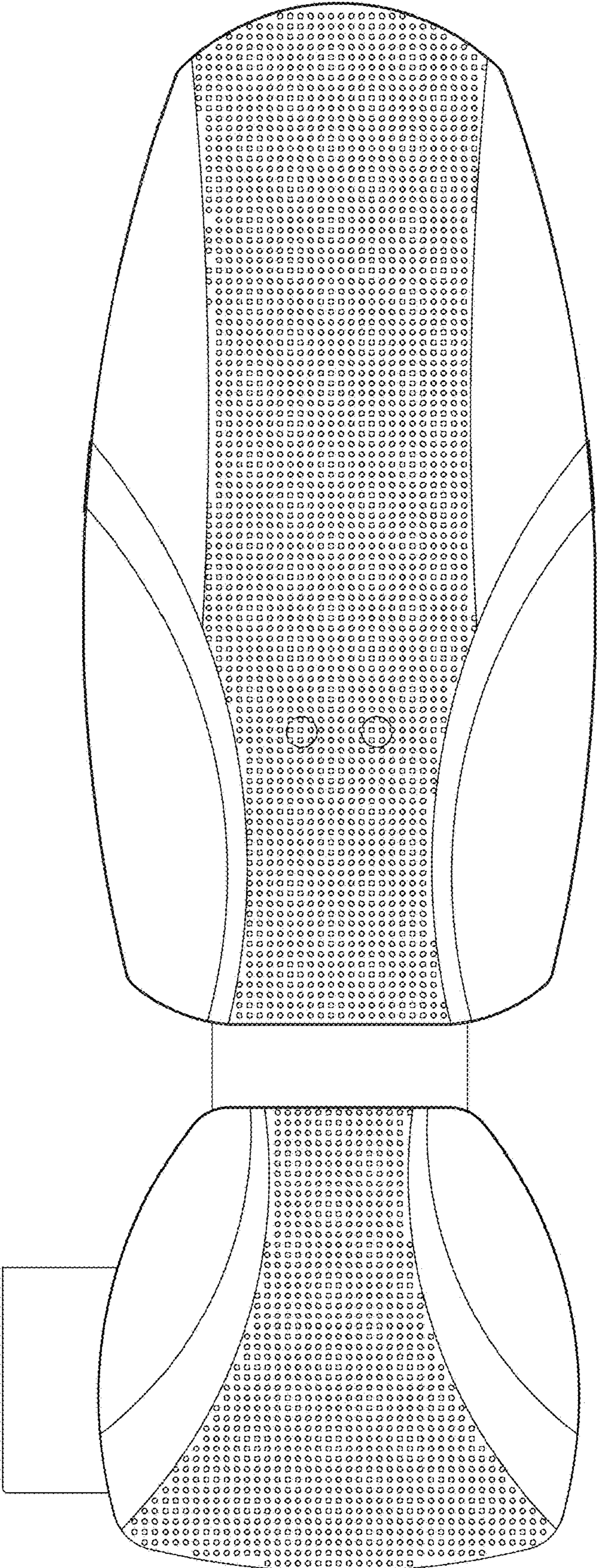


FIG. 1

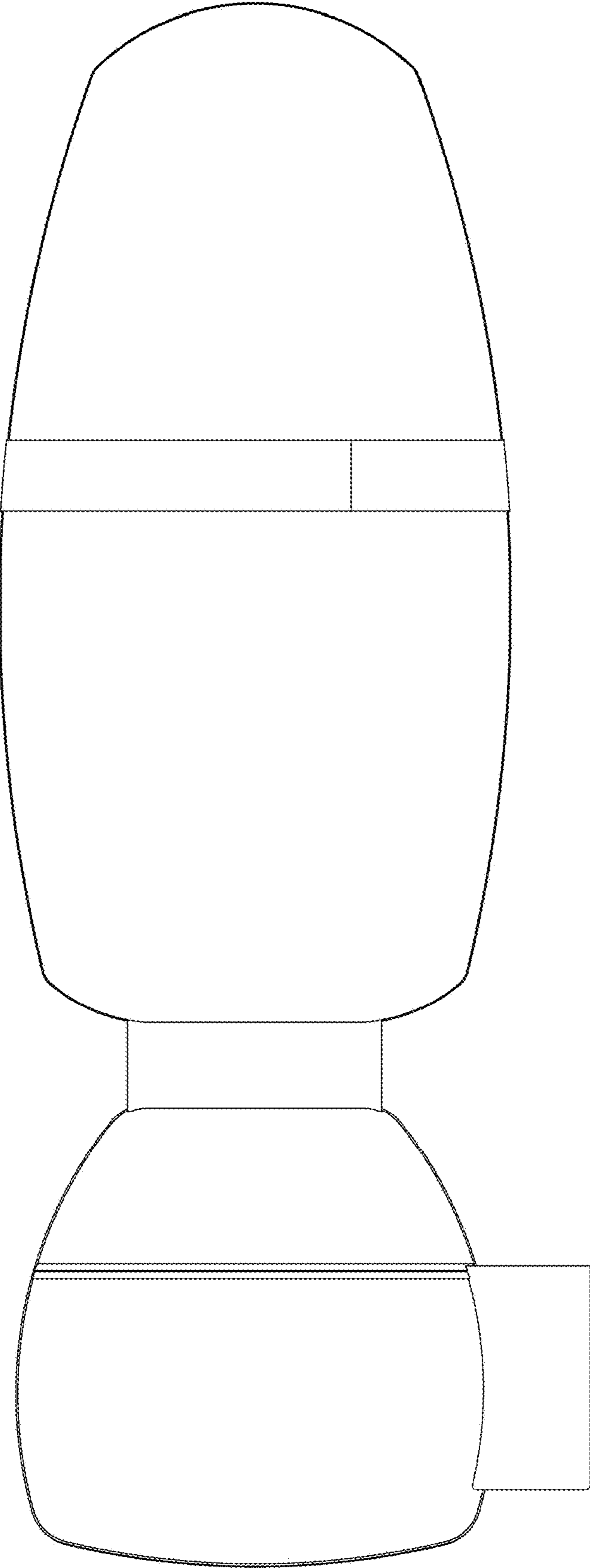


FIG. 2

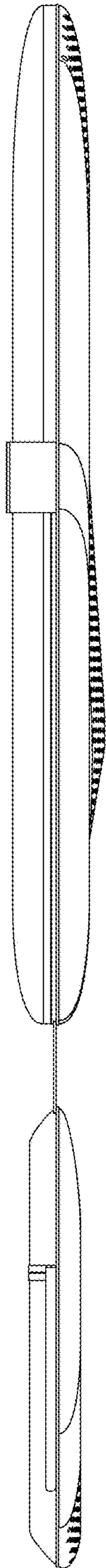


FIG. 3

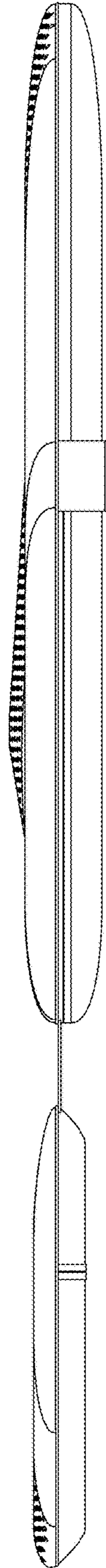


FIG. 4

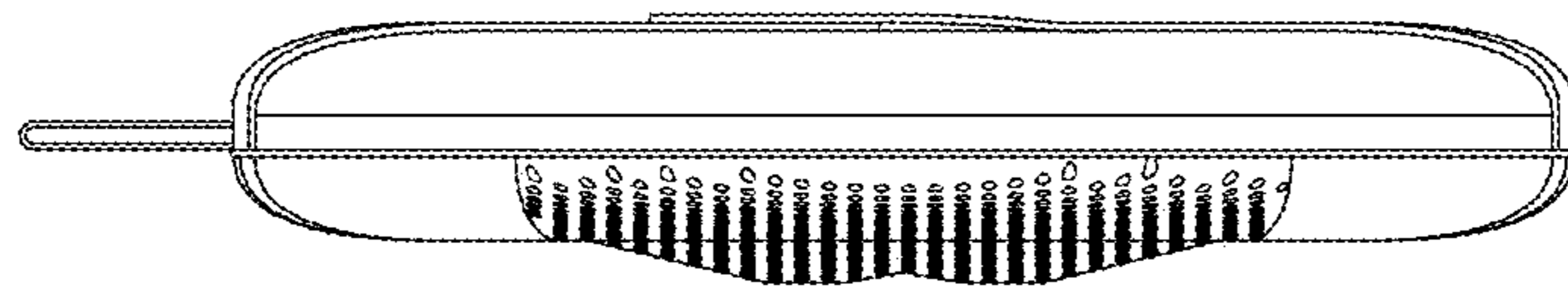


FIG. 5

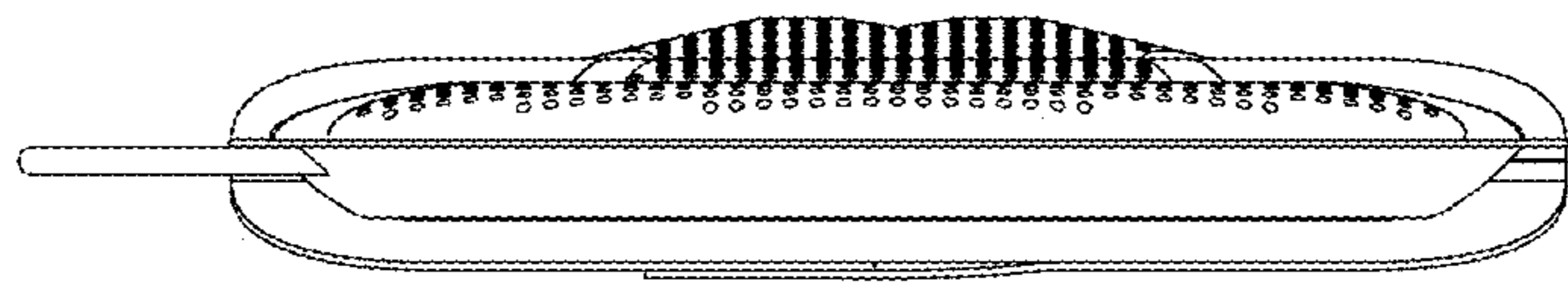


FIG. 6

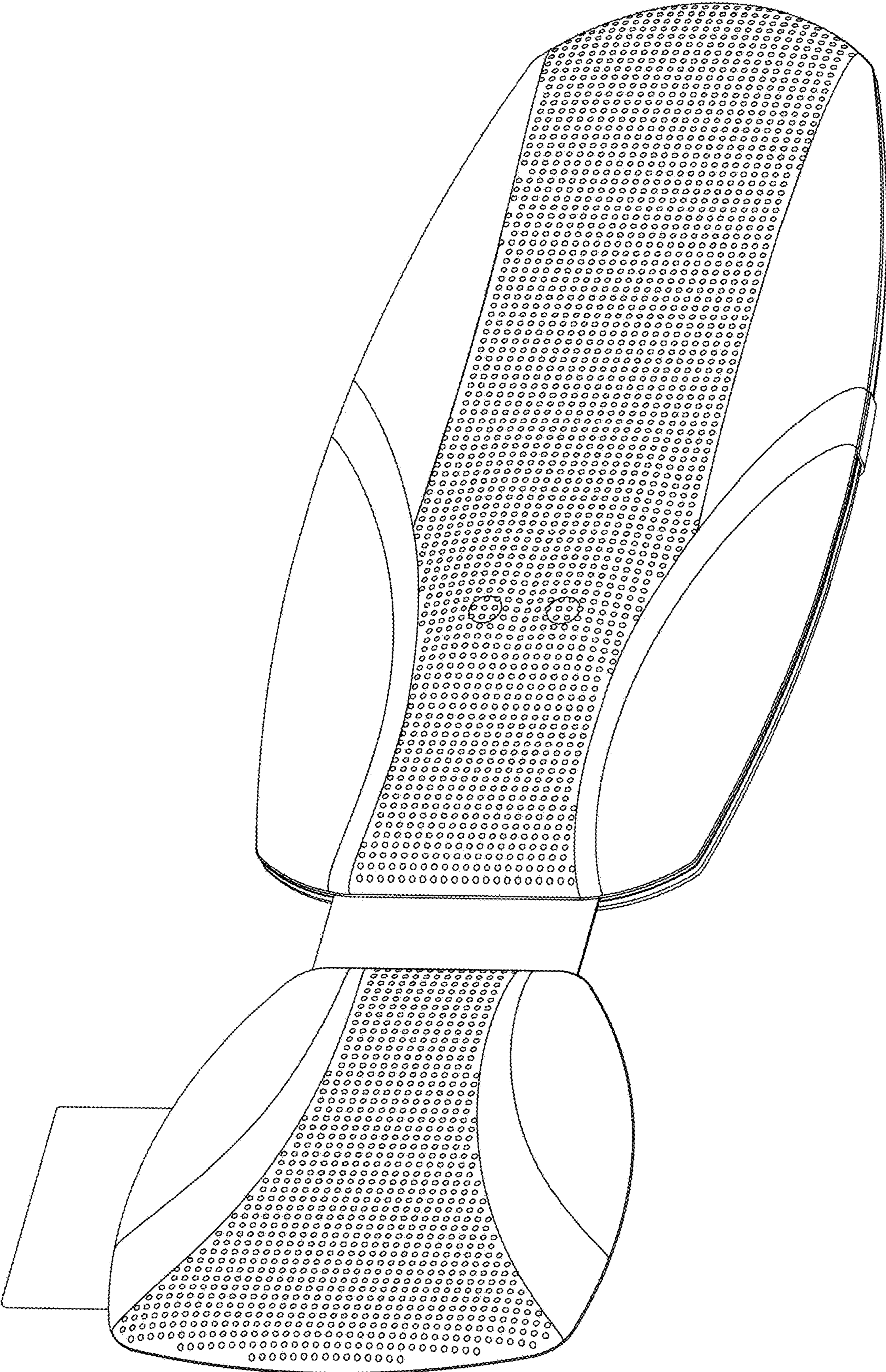


FIG. 7

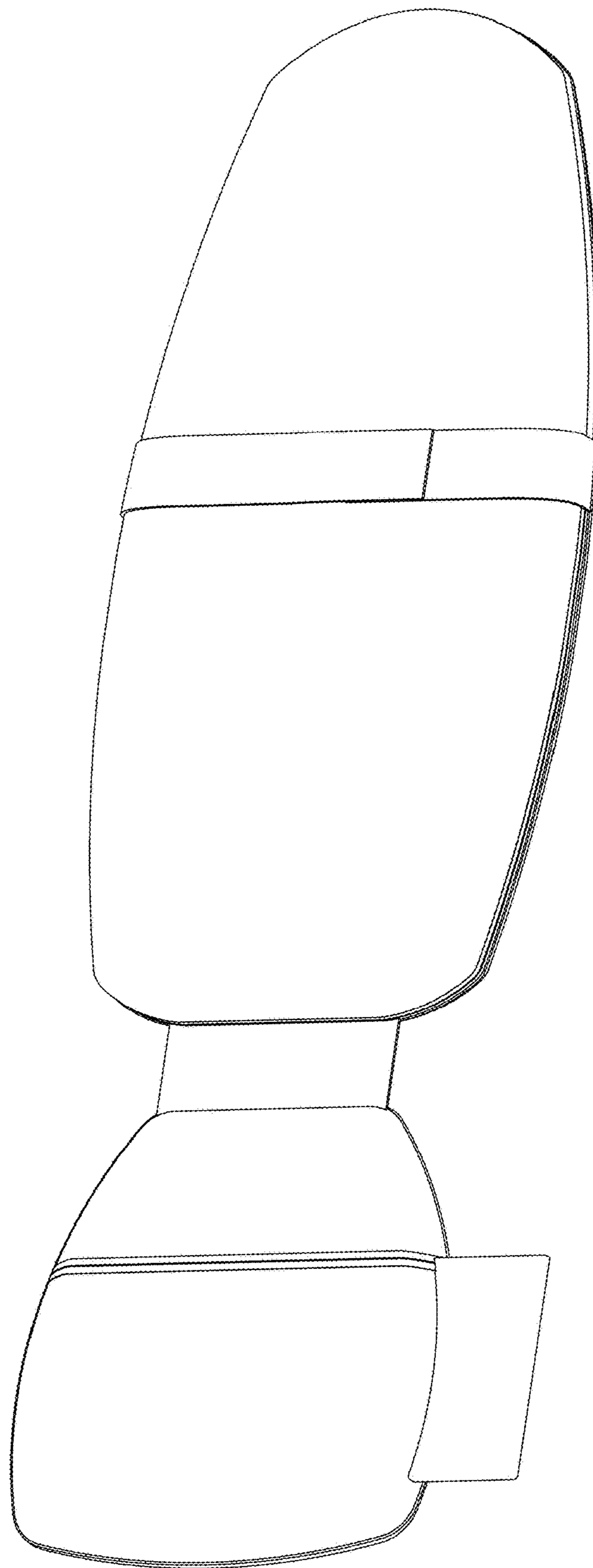


FIG. 8

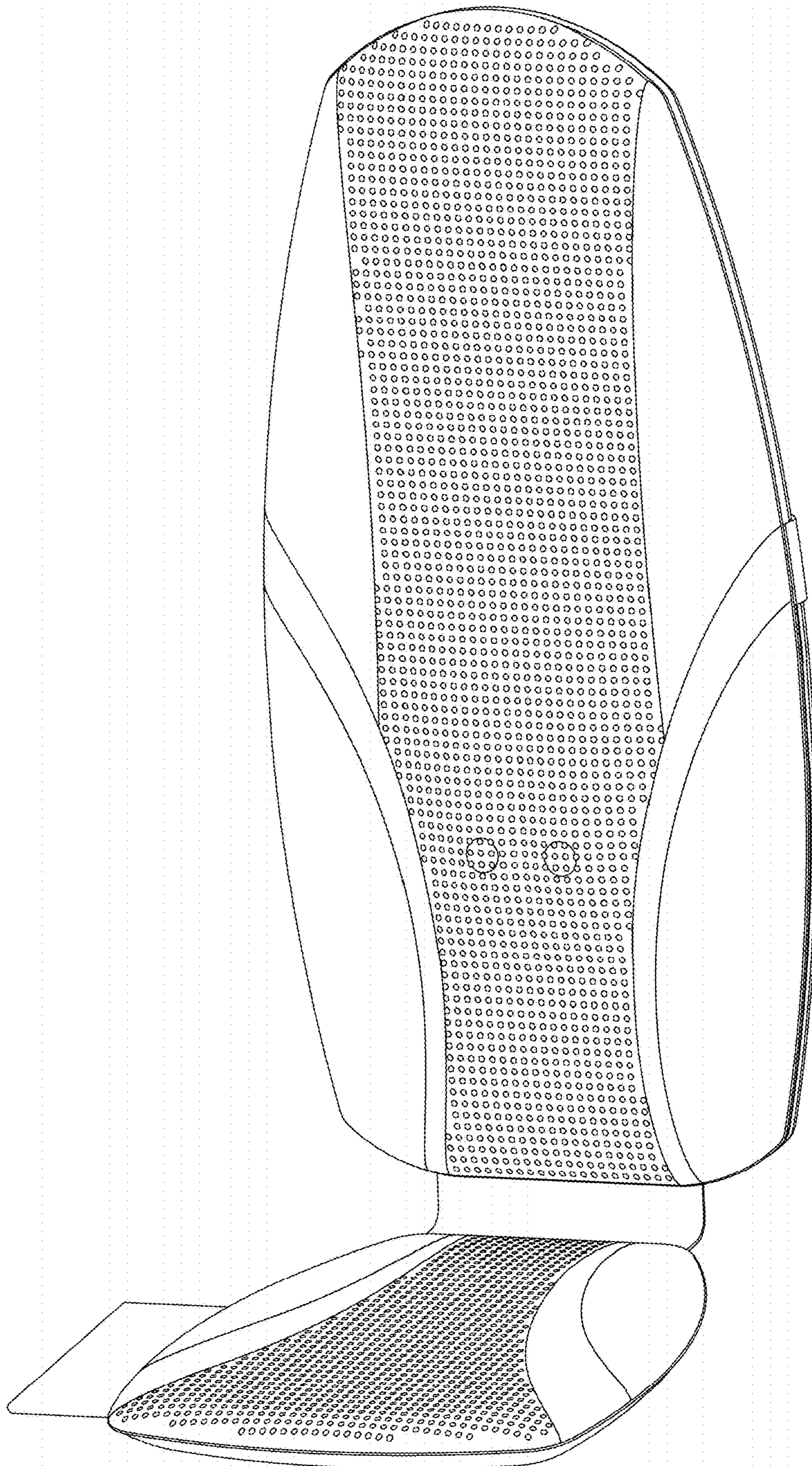


FIG. 9

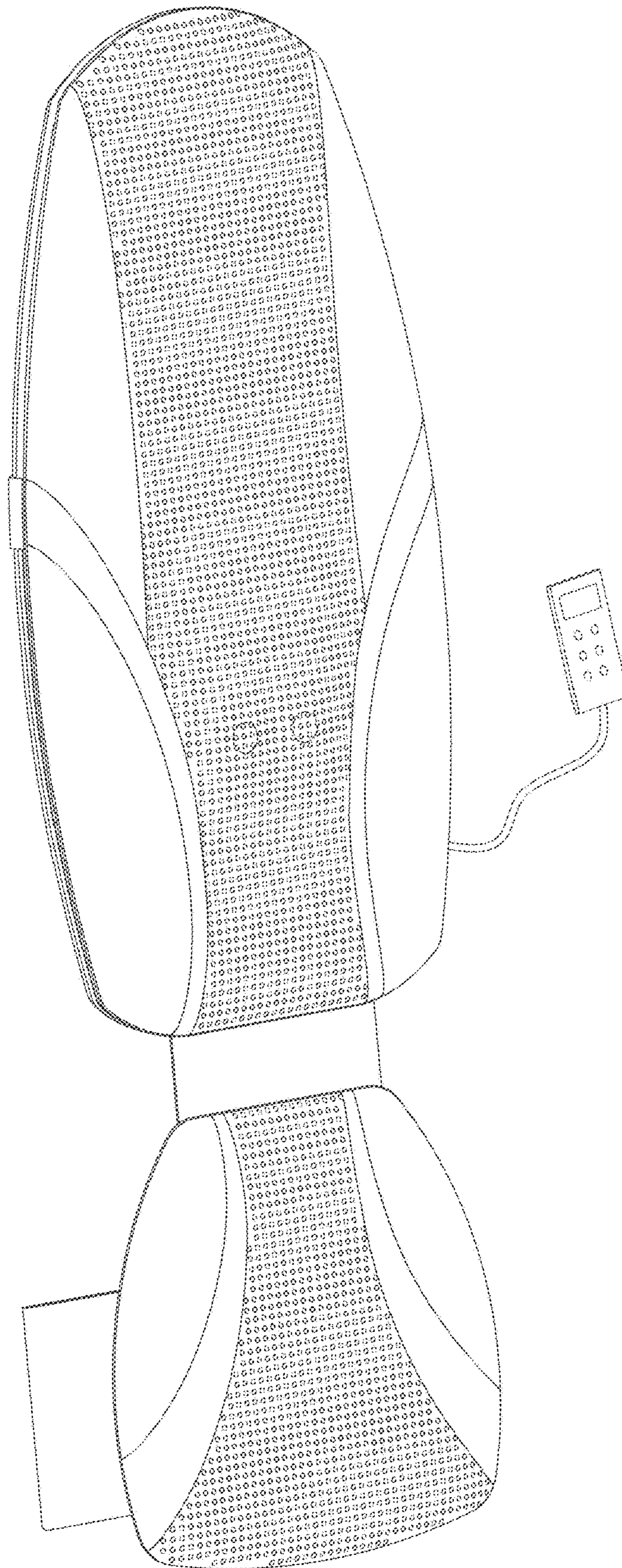


FIG. 10