



US00D871797S

(12) **United States Design Patent**  
**Chen**

(10) **Patent No.:** **US D871,797 S**

(45) **Date of Patent:** **\*\* Jan. 7, 2020**

(54) **NECK PILLOW**  
(71) Applicant: **SHENZHEN LIAN DA TECHNOLOGY INDUSTRIAL CO., LTD.**, Shenzhen, Guangdong (CN)  
(72) Inventor: **Congyu Chen**, Guangdong (CN)  
(73) Assignee: **SHENZHEN LIAN DA TECHNOLOGY INDUSTRIAL CO., LTD.**, Shenzhen (CN)

(\*\*) Term: **15 Years**

(21) Appl. No.: **29/655,546**

(22) Filed: **Jul. 5, 2018**

(51) **LOC (12) Cl.** ..... **06-09**

(52) **U.S. Cl.**  
USPC ..... **D6/601**

(58) **Field of Classification Search**  
USPC ..... D6/333, 349, 355, 375, 388, 512, 563, D6/564, 595, 596, 601, 602, 603, 604, D6/605, 606, 607, 608, 707, 715, 716, D6/716.1; 5/636, 490, 491, 495; D24/183-184  
CPC ..... A47C 17/00; A47C 17/021; A47C 17/13; A47C 17/132; A47C 17/136; A47C 17/1655; A47C 17/207; A47G 9/10; A47G 9/1027; A47G 9/1081; A47G 9/1036; A47G 9/1063; A47G 2009/1018  
See application file for complete search history.

(56) **References Cited**

**U.S. PATENT DOCUMENTS**

D126,825 S \* 4/1941 Kolisch ..... D6/601  
D155,924 S \* 11/1949 Ray ..... 5/636  
D207,248 S \* 3/1967 Morse et al. .... D6/601  
D236,063 S \* 7/1975 Kesh ..... D6/601  
4,027,888 A \* 6/1977 Wilcox ..... A47C 3/16  
297/452.17

4,756,090 A \* 7/1988 Pedrow ..... A47G 9/10  
33/512  
4,760,842 A \* 8/1988 Holmes ..... A47G 9/10  
606/240  
4,832,007 A \* 5/1989 Davis, Jr. .... A47G 9/1081  
250/580  
5,148,564 A \* 9/1992 Reder ..... A47G 9/0253  
5/490  
5,718,010 A \* 2/1998 Beier ..... A47G 9/10  
40/638  
5,987,674 A \* 11/1999 Schaffner ..... A47C 20/021  
5/630  
6,047,425 A \* 4/2000 Khazaal ..... A47G 9/1027  
5/640  
6,640,367 B2 \* 11/2003 Hsia ..... A47G 9/1009  
5/636  
D539,855 S \* 4/2007 Ban ..... D21/386

(Continued)

**OTHER PUBLICATIONS**

Somnox Pillow, announced Jul. 18, [online], [site visited Jul. 17, 2019]. Available from Internet, URL: <https://meetsomnox.com/> (Year: 2018).\*

*Primary Examiner* — Michelle E. Wilson  
*Assistant Examiner* — Sanjeev Paul

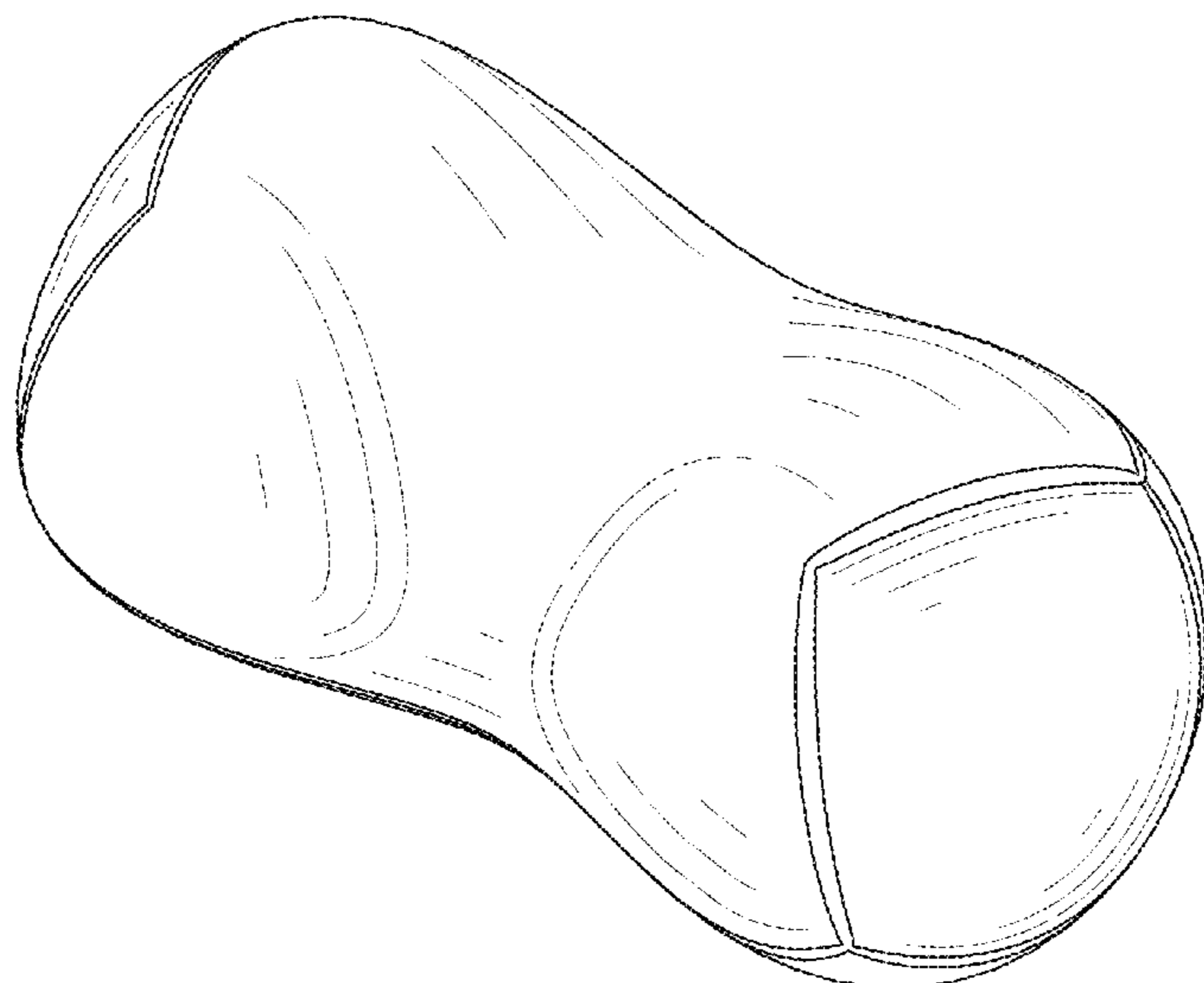
(57) **CLAIM**

The ornamental design for a neck pillow, as shown and described.

**DESCRIPTION**

FIG. 1 is a front perspective view of a neck pillow showing my new design;  
FIG. 2 is a rear perspective view thereof;  
FIG. 3 is a front elevational view thereof;  
FIG. 4 is a rear elevational view thereof;  
FIG. 5 is a left side view thereof;  
FIG. 6 is a right side view thereof;  
FIG. 7 is a top plan view thereof; and,  
FIG. 8 is a bottom plan view thereof.

**1 Claim, 8 Drawing Sheets**



(56)

**References Cited**

U.S. PATENT DOCUMENTS

D595,526 S \* 7/2009 Mills ..... D6/601  
D595,527 S \* 7/2009 Carter ..... D6/601  
D628,413 S \* 12/2010 Miller ..... D6/601  
D651,770 S \* 1/2012 Seliskar ..... D30/160  
D663,988 S \* 7/2012 Bannister ..... D6/601  
D768,410 S \* 10/2016 Jennings ..... D6/601  
9,756,968 B1 \* 9/2017 Gewant ..... A47G 9/1081  
D808,110 S \* 1/2018 Terrasi ..... D1/127  
D838,124 S \* 1/2019 Jagtenberg ..... D6/601  
D846,312 S \* 4/2019 Davis ..... D6/601  
D851,961 S \* 6/2019 Rifelj ..... D6/601  
D853,152 S \* 7/2019 Chen ..... D6/601  
2007/0209115 A1 \* 9/2007 Carroll ..... A47C 7/383  
5/636  
2008/0141462 A1 \* 6/2008 Woods ..... A47C 16/00  
5/655  
2015/0128348 A1 \* 5/2015 Gottlieb ..... A47G 9/1081  
5/637

\* cited by examiner

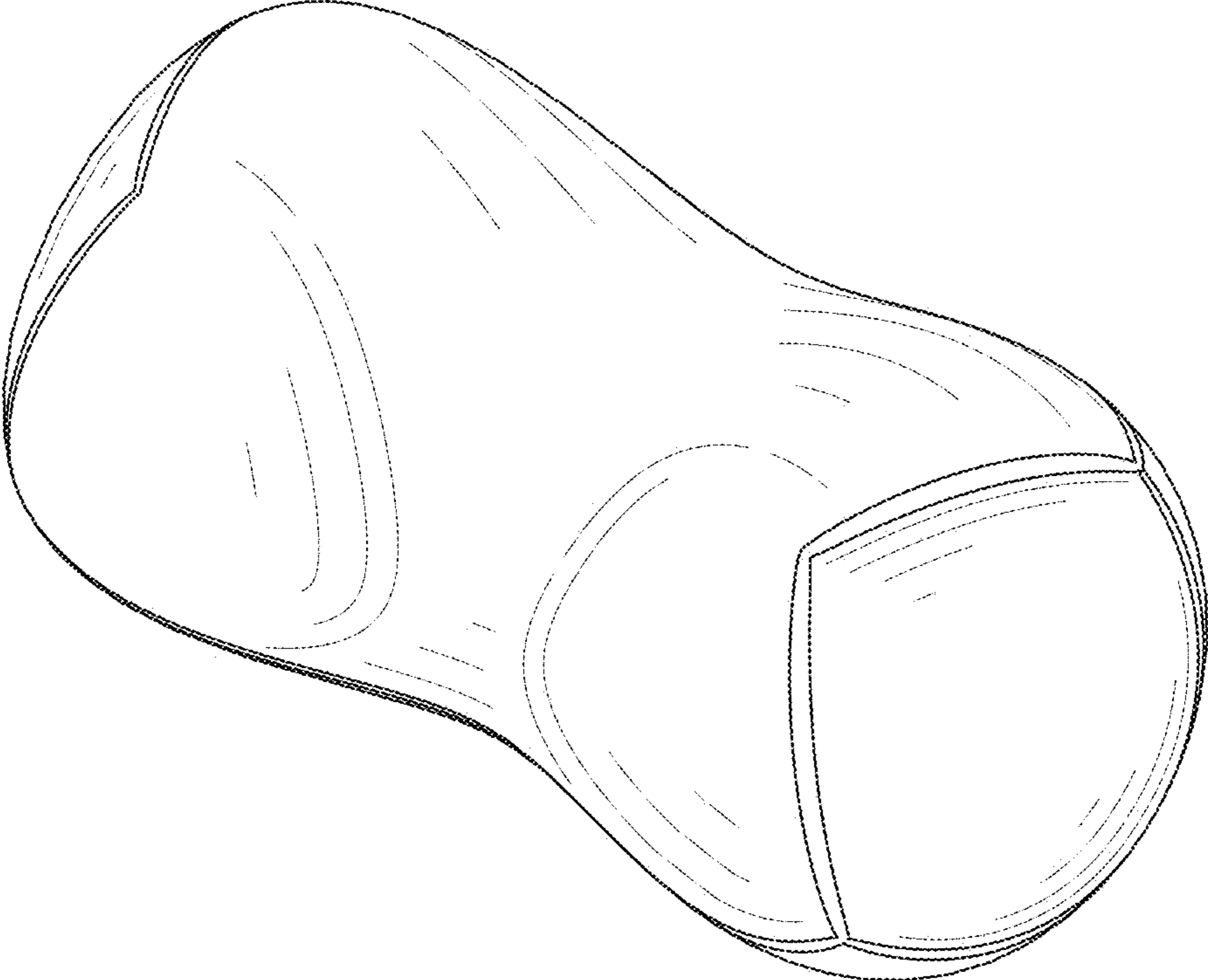


FIG. 1

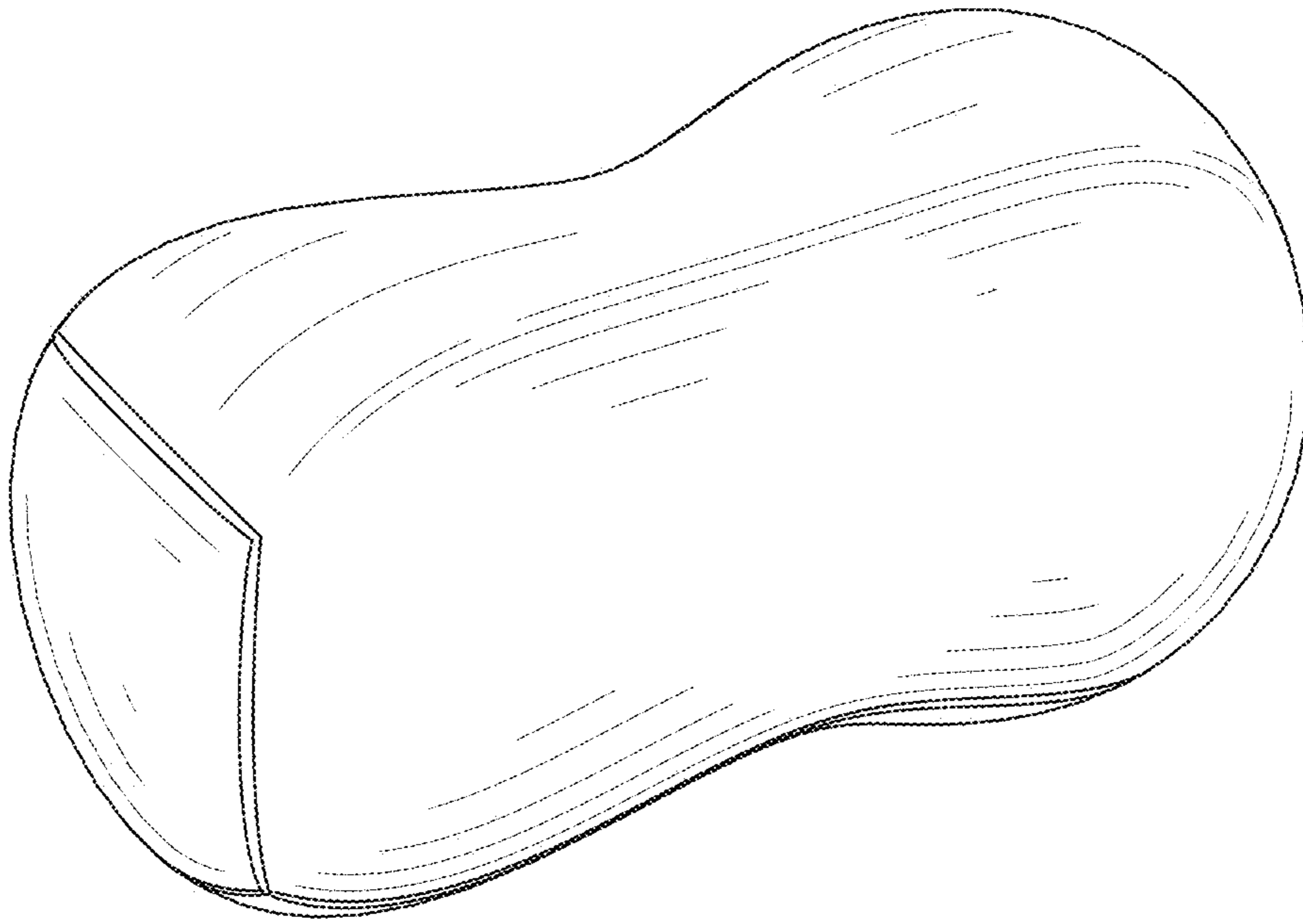


FIG. 2

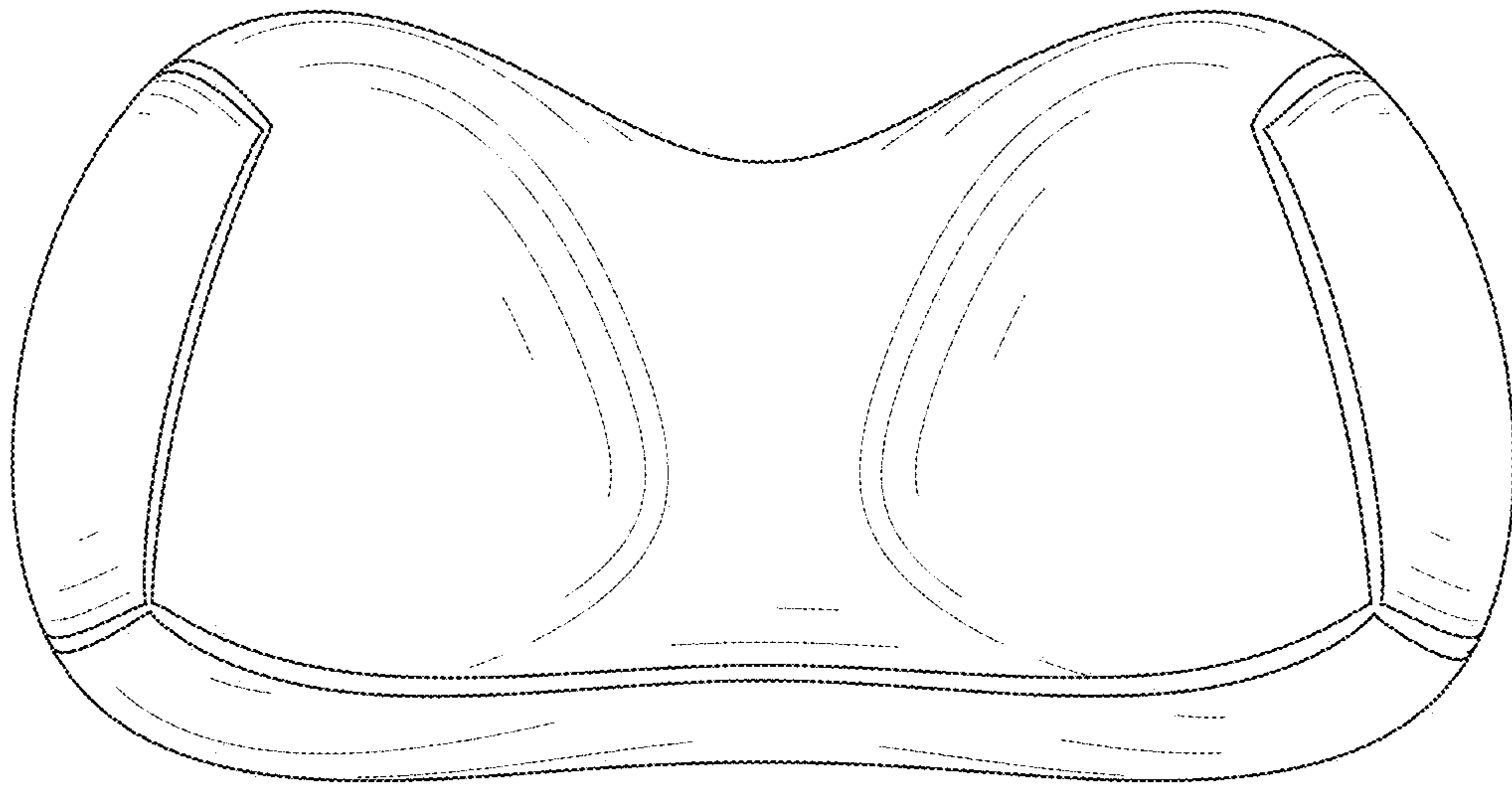


FIG. 3

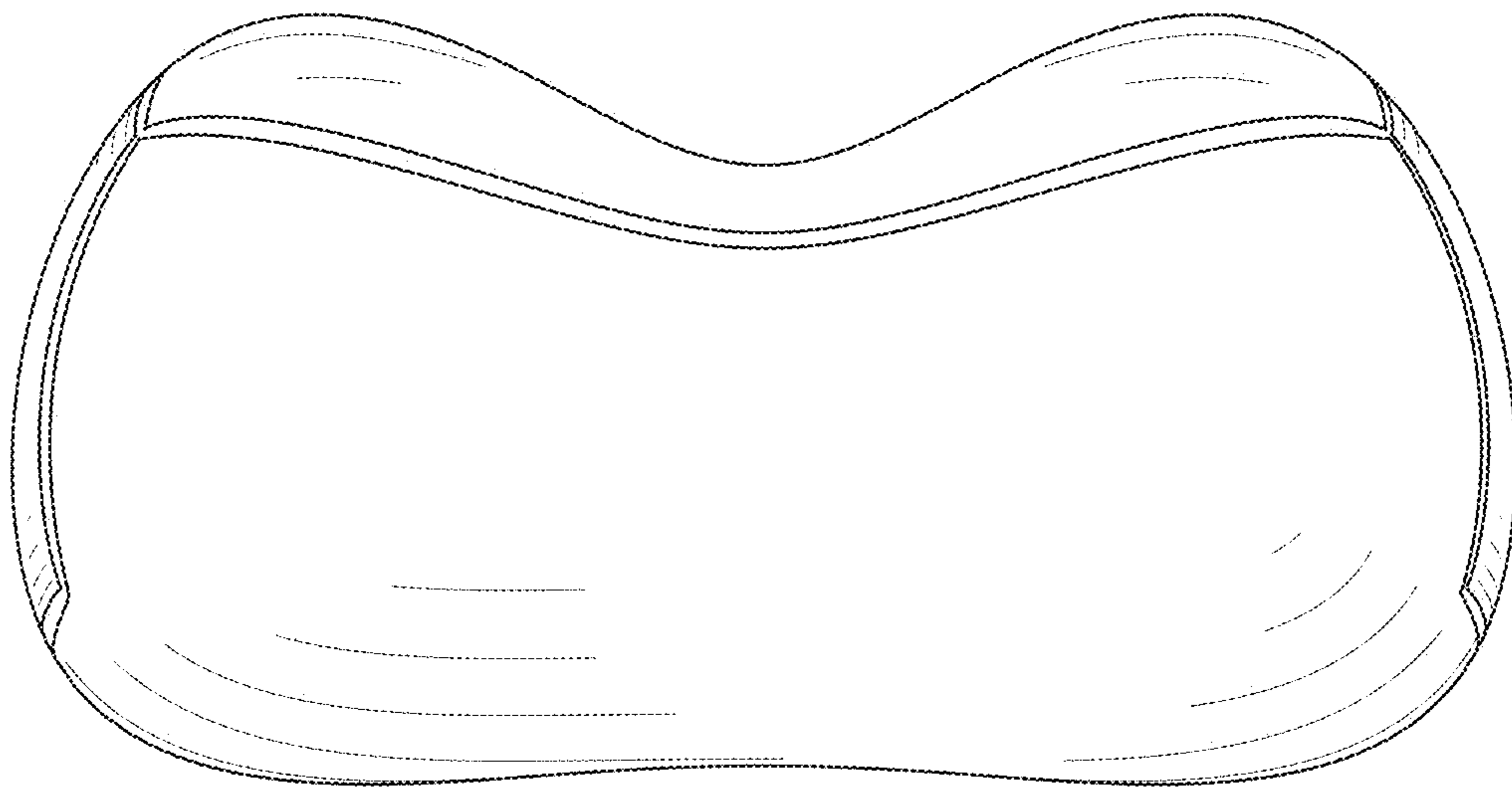


FIG. 4

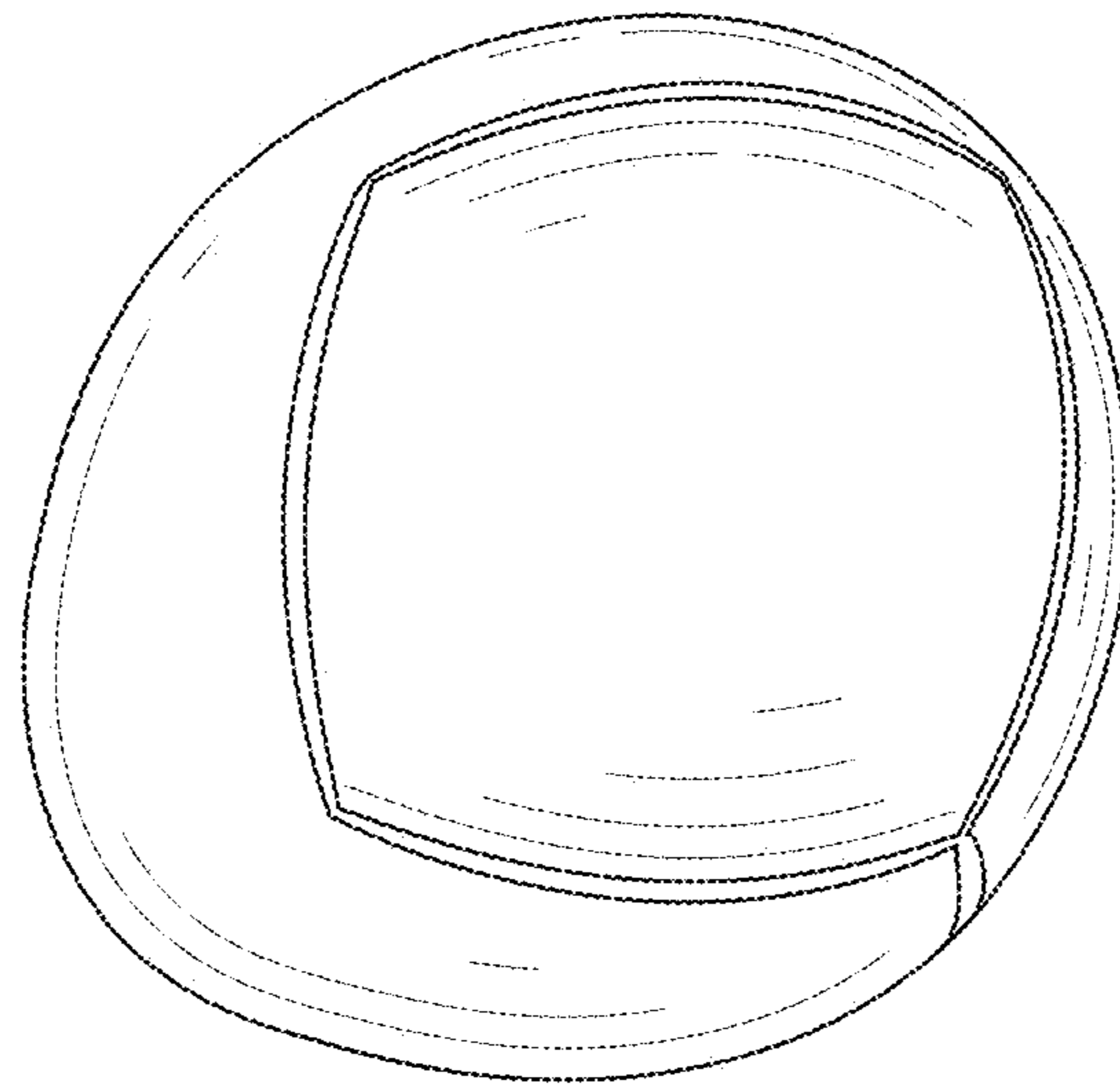


FIG. 5



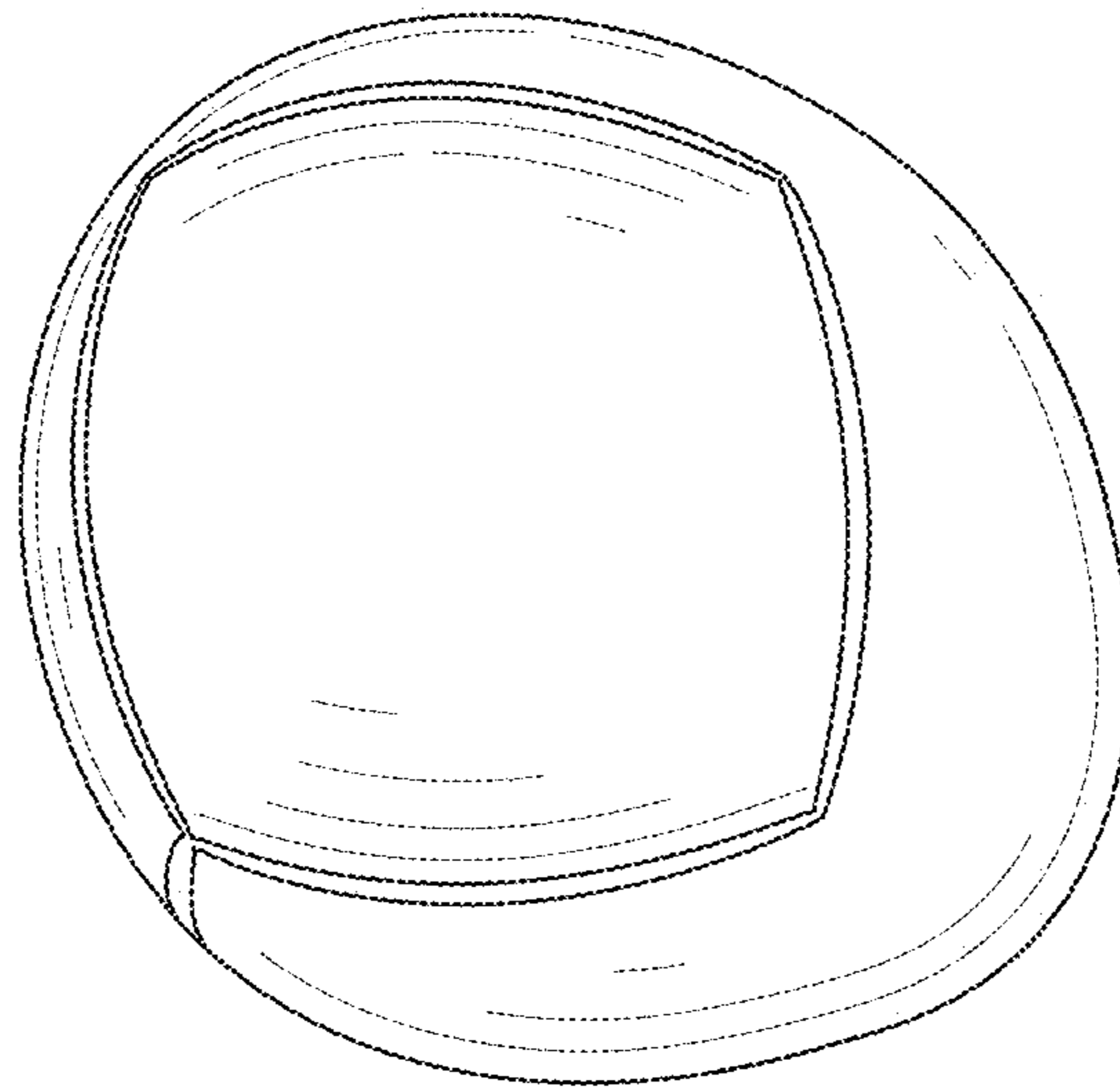


FIG. 6



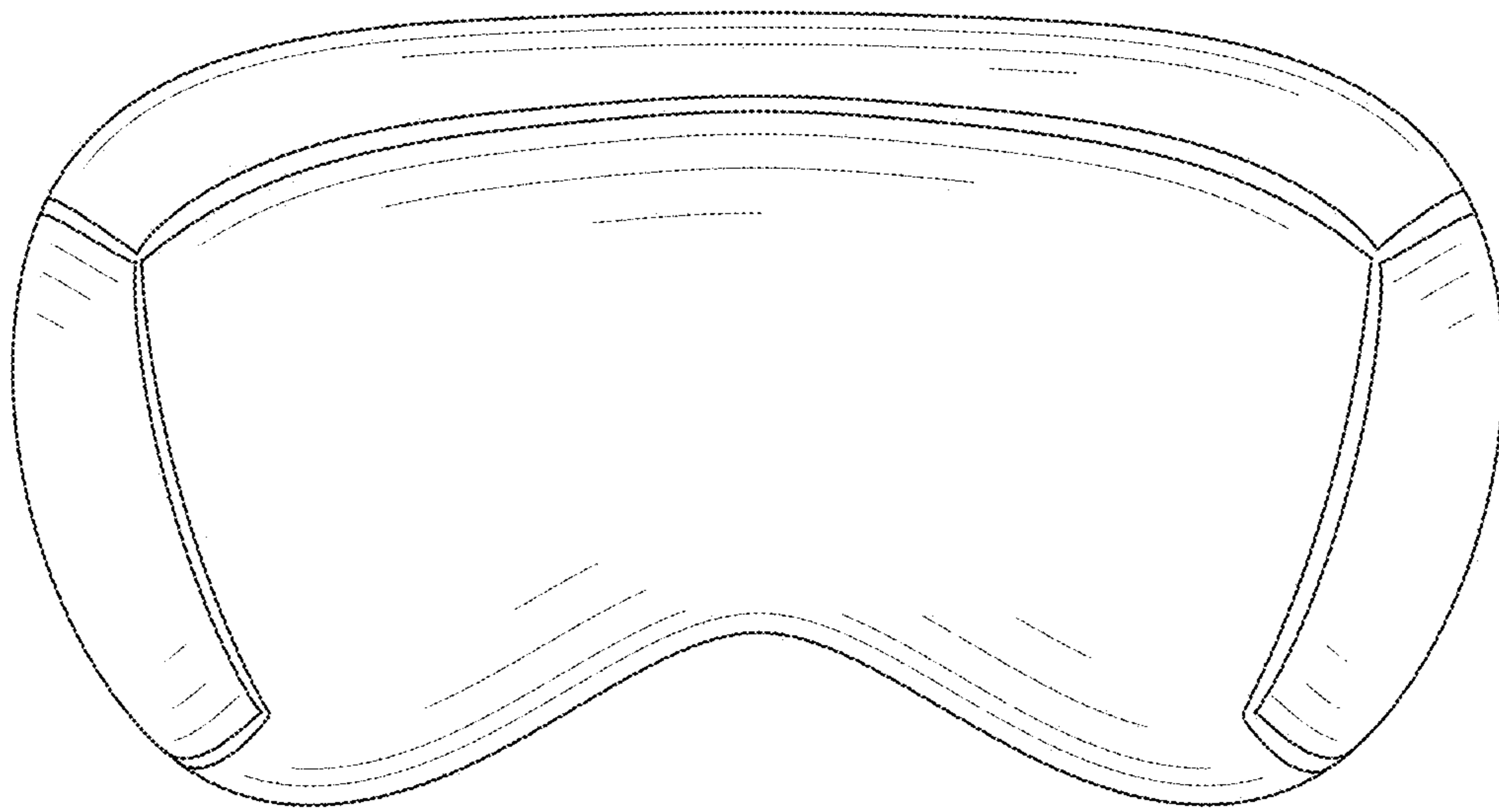


FIG. 7

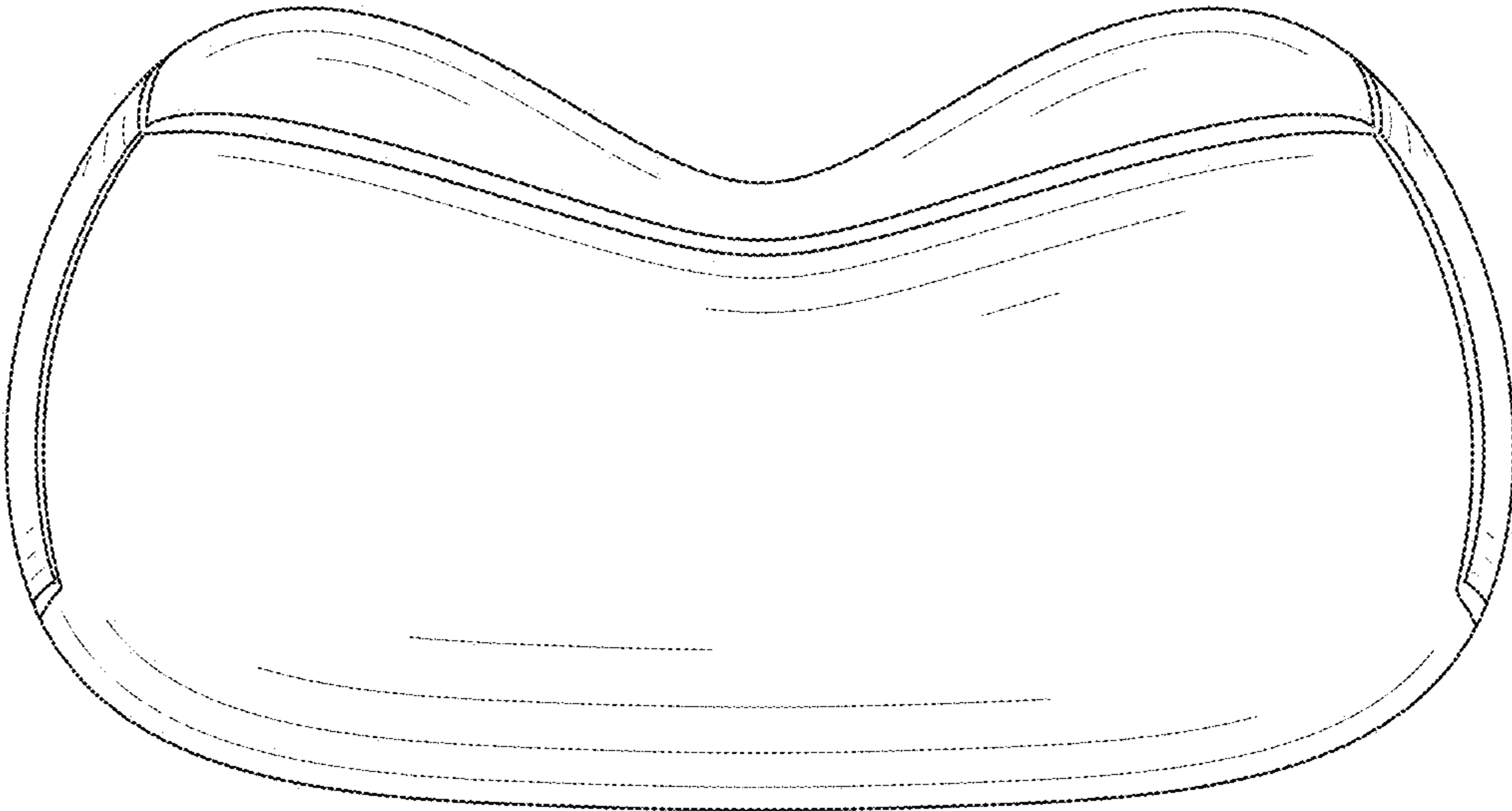


FIG. 8