



US00D871794S

(12) **United States Design Patent**  
**Roberts**

(10) **Patent No.:** **US D871,794 S**

(45) **Date of Patent:** **\*\* Jan. 7, 2020**

- (54) **TOILET PAPER ROLL HOLDER**
- (71) Applicant: **Ryan E. Roberts**, Englewood, FL (US)
- (72) Inventor: **Ryan E. Roberts**, Englewood, FL (US)
- (73) Assignee: **Ryan E. Roberts**, Englewood, FL (US)

(\*\*) Term: **15 Years**

(21) Appl. No.: **29/645,575**

(22) Filed: **Apr. 27, 2018**

(51) **LOC (12) Cl.** ..... **23-02**

(52) **U.S. Cl.**  
USPC ..... **D6/523**

(58) **Field of Classification Search**  
 USPC ..... D6/523, 518-522; D8/300, 315, 370;  
 211/12, 13.1, 16, 85.5, 86.01, 87.01,  
 211/88.04, 100, 105.1, 105.2, 106, 113;  
 242/570, 590, 595-598; 248/49, 175,  
 248/176.1, 200, 201  
 CPC .... A47K 10/40; A47K 10/3836; A47K 10/22;  
 A47K 10/38; A47K 2010/389; A47K  
 2010/3233; A47K 2010/3872  
 See application file for complete search history.

(56) **References Cited**

**U.S. PATENT DOCUMENTS**

- D386,028 S \* 11/1997 Schneider ..... D6/520
- D417,808 S \* 12/1999 Roth ..... D6/523

- D478,438 S \* 8/2003 Solowiej ..... D6/523
- D632,512 S \* 2/2011 Bejdova ..... D6/523
- D806,433 S \* 1/2018 Roberts ..... D6/523
- 2003/0098384 A1 \* 5/2003 Black ..... A47K 10/3836  
242/588.2
- 2017/0027395 A1 \* 2/2017 Prior ..... A47K 10/40

\* cited by examiner

*Primary Examiner* — Wan Laymon

*Assistant Examiner* — Mark Booker

(74) *Attorney, Agent, or Firm* — Shumaker, Loop & Kendrick, LLP

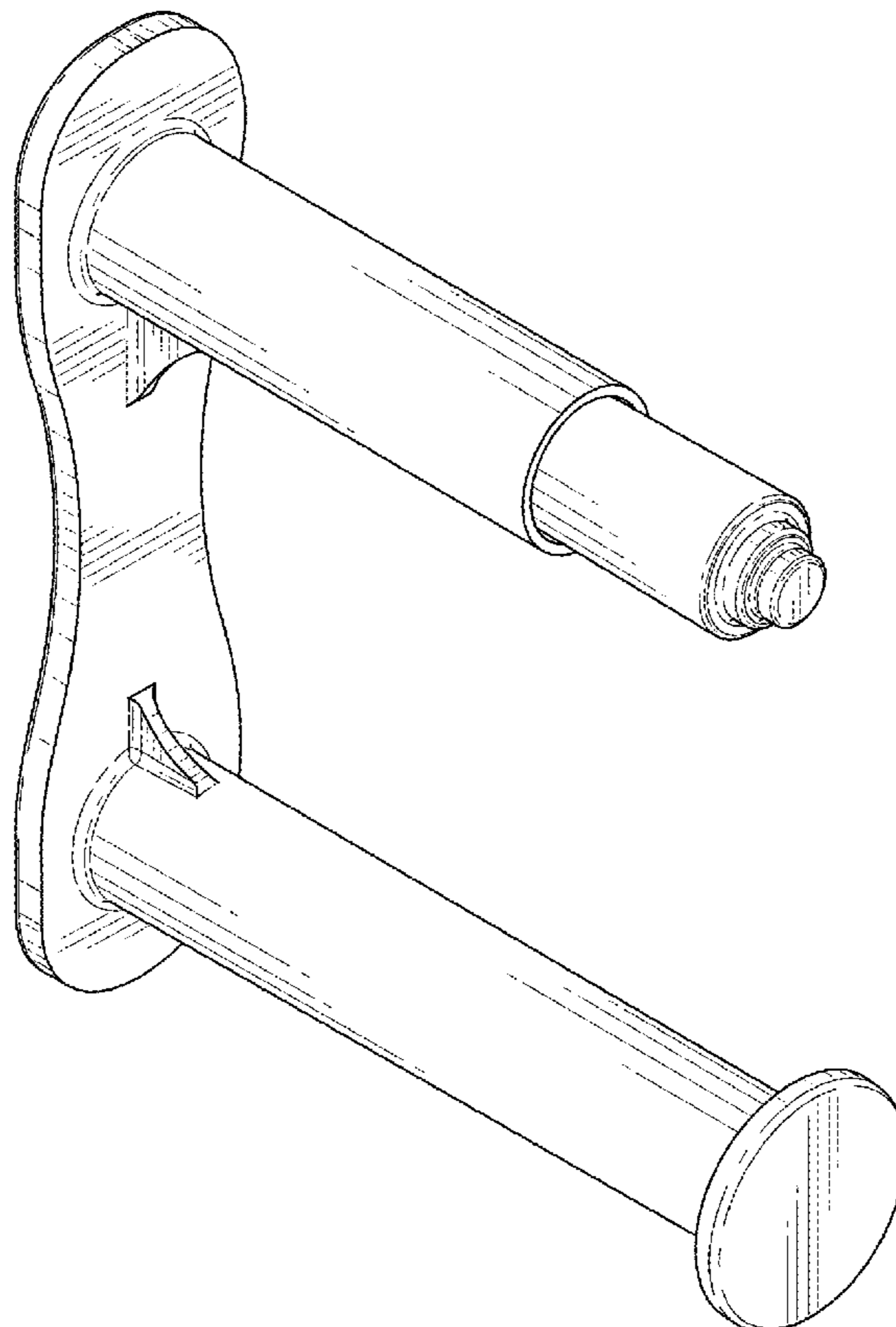
(57) **CLAIM**

The ornamental design for a toilet paper roll holder, as shown and described.

**DESCRIPTION**

FIG. 1 is a perspective view of the new design for a toilet paper roll holder;  
 FIG. 2 a front view thereof, wherein the back view is identical to the front view;  
 FIG. 3 is a left side view thereof;  
 FIG. 4 is a right side view thereof;  
 FIG. 5 is a top view thereof; and,  
 FIG. 6 is a bottom view thereof.  
 The broken line(s) shown in the figures represent portions of the toilet paper roll holder that form no part of the claimed design.

**1 Claim, 4 Drawing Sheets**



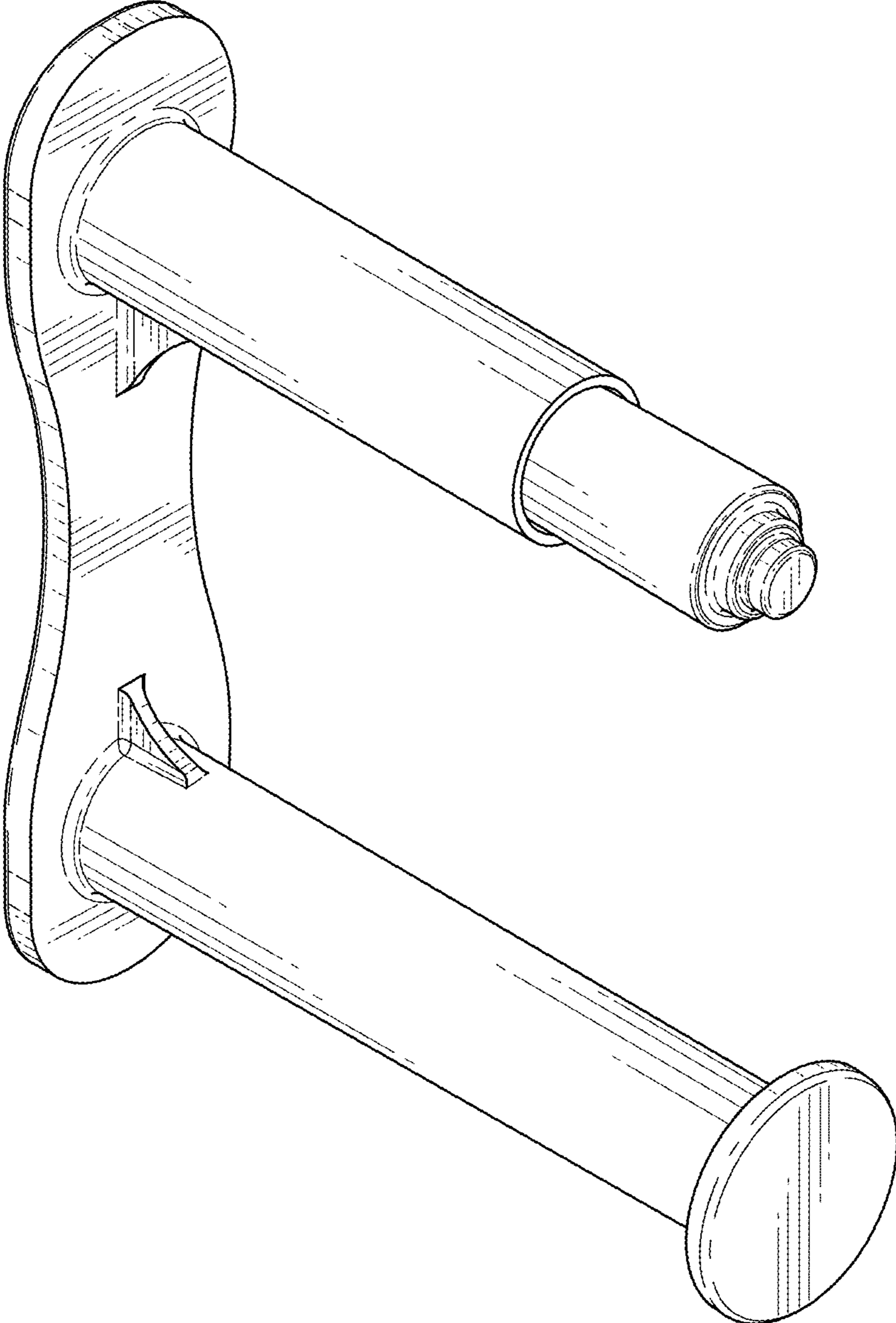


FIG. 1

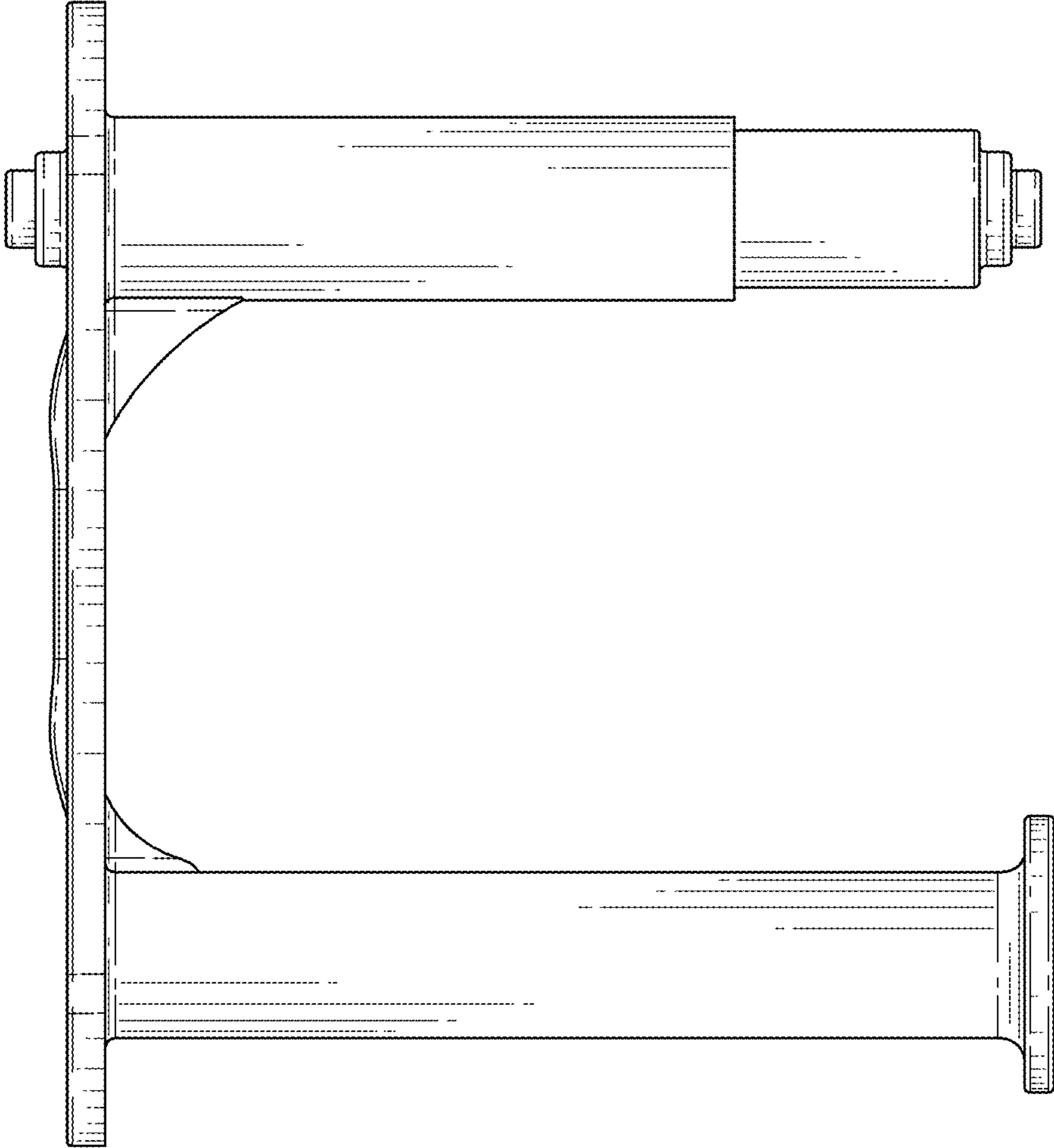


FIG. 2

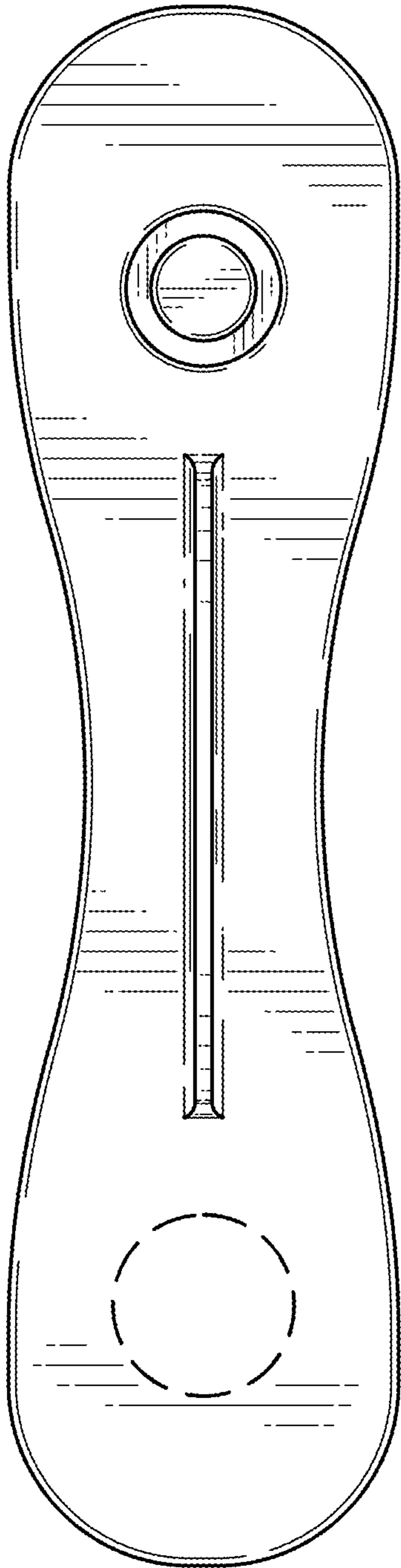


FIG. 3

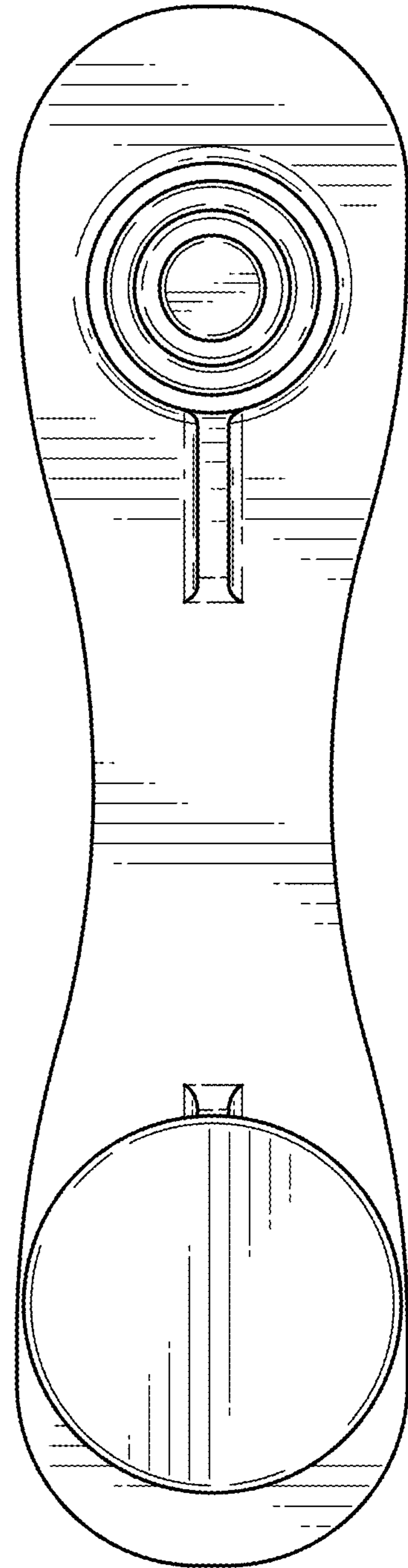


FIG. 4

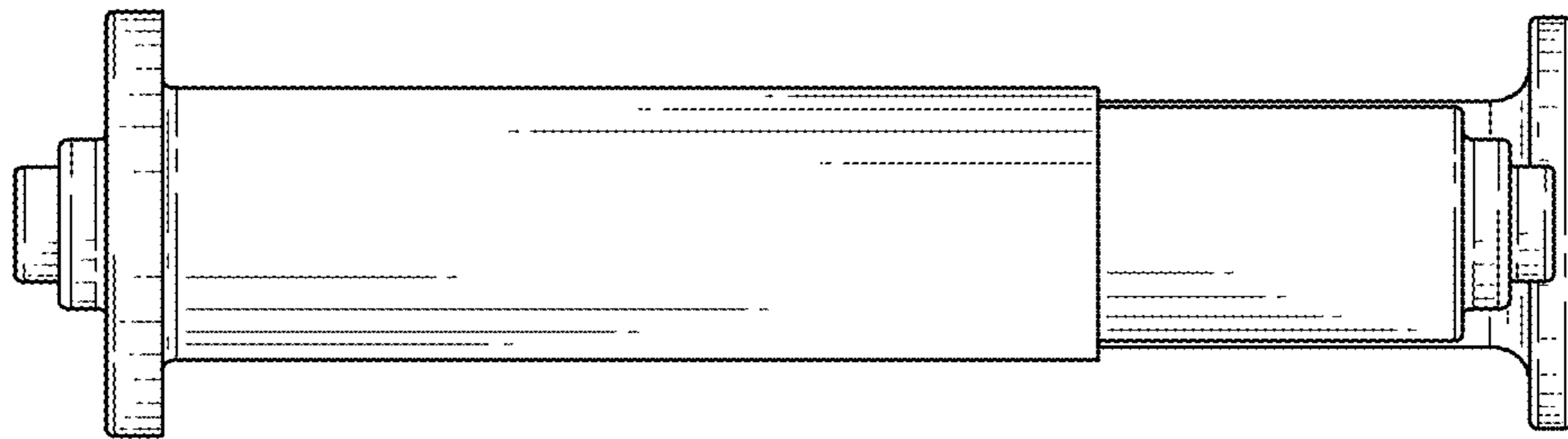


FIG. 5

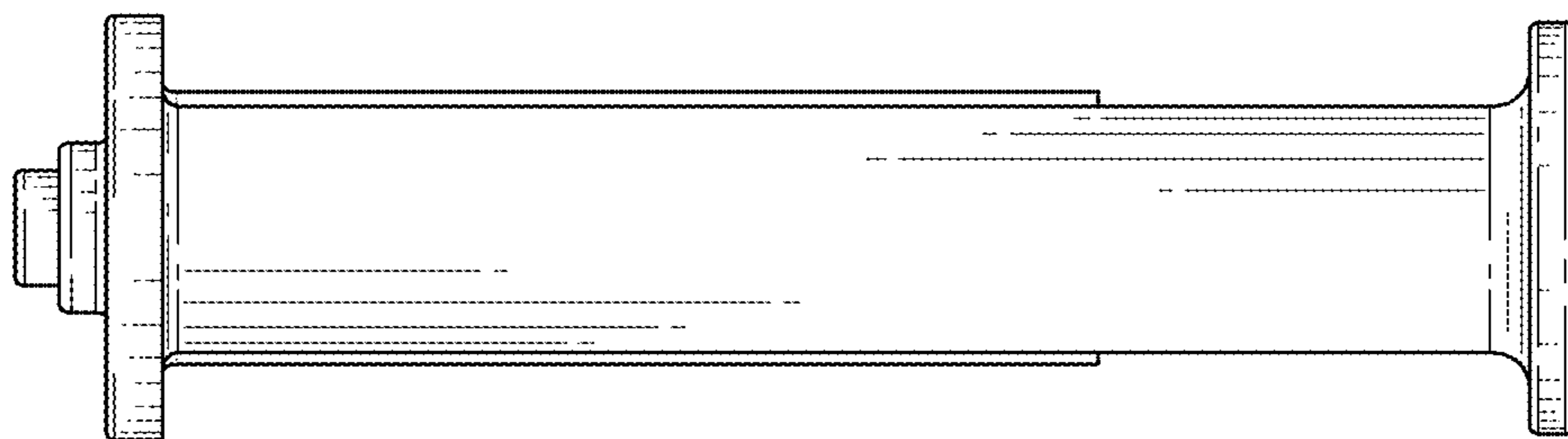


FIG. 6