



US00D871793S

(12) **United States Design Patent**
Caruso

(10) **Patent No.:** **US D871,793 S**
(45) **Date of Patent:** **** Jan. 7, 2020**

- (54) **TIERED GARDENING RACK**
- (71) Applicant: **Steven Jerome Caruso**, Antioch, IL (US)
- (72) Inventor: **Steven Jerome Caruso**, Antioch, IL (US)
- (**) Term: **15 Years**
- (21) Appl. No.: **29/601,603**
- (22) Filed: **Apr. 24, 2017**

Related U.S. Application Data

- (63) Continuation-in-part of application No. 29/572,971, filed on Aug. 1, 2016, now abandoned.
- (51) **LOC (12) Cl.** **06-02**
- (52) **U.S. Cl.**
USPC **D6/405**
- (58) **Field of Classification Search**
USPC D6/403–405, 556–559, 570;
D11/143–156, 164; D19/77, 80, 81, 84;
D25/15, 100, 105, 113; D26/9, 10, 11,
D26/16, 19; D34/1, 2, 4–6
CPC A01B 63/008; A01B 76/00; A01G 24/00;
A01G 9/02; A01G 9/023; A01G 9/029
See application file for complete search history.

(56) **References Cited**

U.S. PATENT DOCUMENTS

- 1,405,568 A * 2/1922 Conklin A47H 27/00
47/68
- D84,030 S * 4/1931 Elters D11/156
- D118,230 S * 12/1939 Fader D11/156
- 3,664,063 A * 5/1972 Ware A01G 9/022
108/23
- D225,252 S * 11/1972 Ware D11/144

- D256,683 S * 9/1980 Merritt D11/156
- D258,206 S * 2/1981 Bourke 47/39
- D307,877 S * 5/1990 White, Jr. D11/148
- D338,428 S * 8/1993 Grosfillex D11/156
- D389,091 S * 1/1998 Dickinson D11/156
- D401,720 S * 11/1998 Newquist D34/1
- D441,243 S * 5/2001 Williams D6/570
- D465,349 S * 11/2002 Sharpton, III D6/405
- D467,352 S * 12/2002 Panek D25/100
- D569,304 S * 5/2008 Kurtz D11/156
- 7,373,753 B1 * 5/2008 Caruso A01G 9/027
211/182
- D597,762 S * 8/2009 Caruso D6/405
- D614,078 S * 4/2010 DiPaolo A01G 9/124
D11/143
- D618,930 S * 7/2010 Caruso D6/405
- 7,856,756 B1 * 12/2010 Caruso A01G 9/027
211/182
- D631,677 S * 2/2011 Caruso D11/156
- D634,134 S * 3/2011 Gingrich D6/405
- D640,163 S * 6/2011 Hashimoto D11/156
- D643,647 S * 8/2011 Owen D11/156
- D645,779 S * 9/2011 Bradley D11/152
- 8,245,443 B1 * 8/2012 Caruso A01G 9/023
211/85.23
- D668,122 S * 10/2012 Caruso D6/405
- D675,127 S * 1/2013 DiMaggio D11/143
- D688,891 S * 9/2013 Caruso D11/156
- D689,302 S * 9/2013 MacKenzie D6/558
- D689,713 S * 9/2013 Elliott D6/405

(Continued)

Primary Examiner — Marissa J Cash

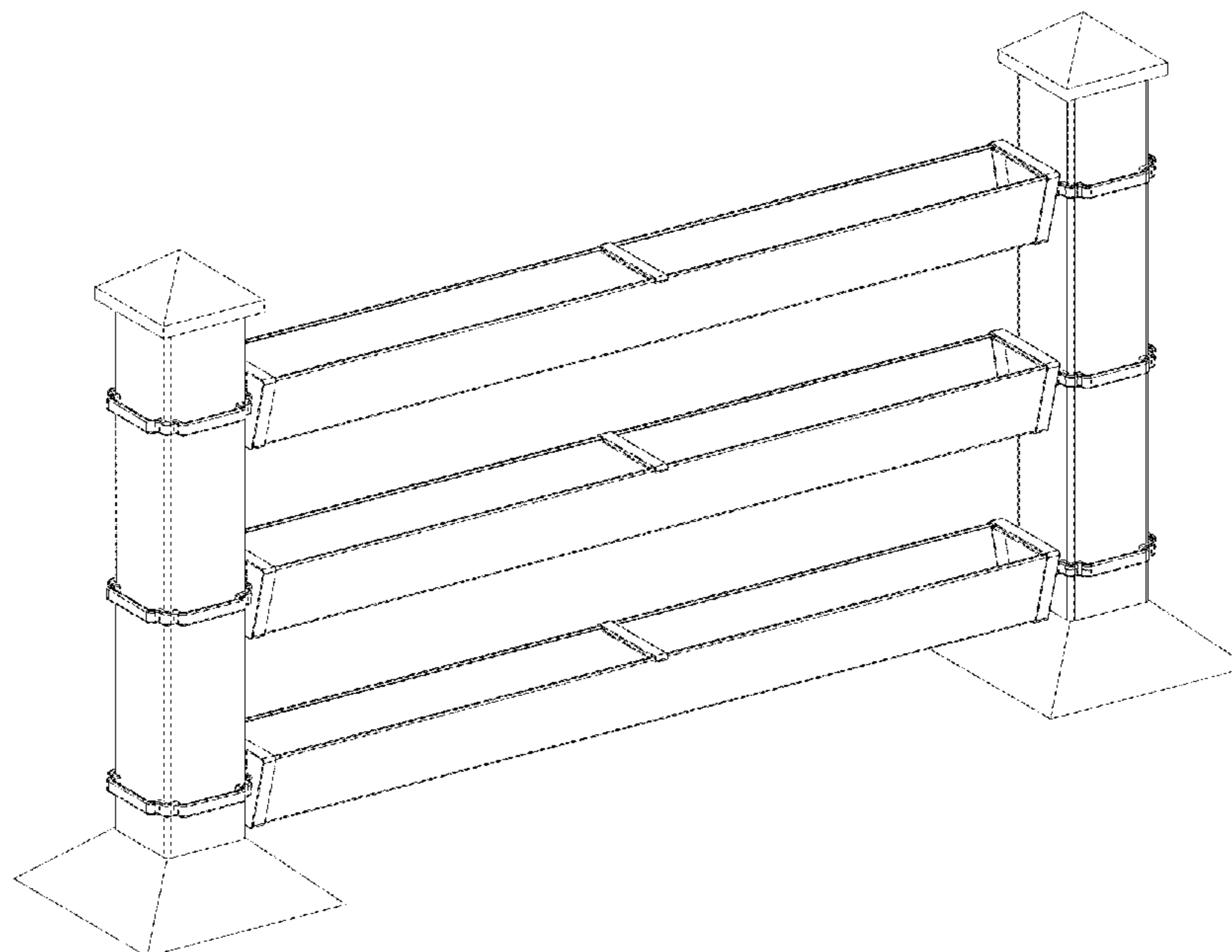
(57) **CLAIM**

The ornamental design for a tiered gardening rack, as shown and described.

DESCRIPTION

The sole FIGURE is a trimetric axonometric view of a tiered gardening rack showing the new design of the invention.

1 Claim, 1 Drawing Sheet



(56)

References Cited

U.S. PATENT DOCUMENTS

8,756,859 B2 * 6/2014 Adams A01G 9/02
47/18
D763,006 S * 8/2016 Caruso D6/405
9,850,030 B2 * 12/2017 Chan B65D 25/205
9,986,694 B2 * 6/2018 Billingsley A01G 9/023
D823,716 S * 7/2018 Lee D11/156
10,029,184 B2 * 7/2018 Lam A63G 31/00
10,225,998 B2 * 3/2019 Wang A01G 9/02
10,231,393 B2 * 3/2019 Nelson A01G 9/023
10,292,338 B2 * 5/2019 Haughton A01G 9/022
2002/0139047 A1 * 10/2002 Haddad A01G 9/02
47/66.1
2009/0183427 A1 * 7/2009 DiMaggio A47G 7/041
47/39
2011/0247268 A1 * 10/2011 Adams A01G 9/02
47/66.1

* cited by examiner

