



US00D871792S

(12) **United States Design Patent**
Citterio

(10) **Patent No.:** **US D871,792 S**
(45) **Date of Patent:** **** Jan. 7, 2020**

(54) **CHAIR**

(71) Applicant: **B&B Italia S.p.A.**, Milan (IT)

(72) Inventor: **Antonio Citterio**, Novedrate (IT)

(73) Assignee: **B&B Italia S.p.A.**, Milan (IT)

(**) Term: **15 Years**

(21) Appl. No.: **29/665,637**

(22) Filed: **Oct. 5, 2018**

(30) **Foreign Application Priority Data**

Apr. 6, 2018 (IT) 402018000002115

(51) **LOC (12) Cl.** **06-01**

(52) **U.S. Cl.**
USPC **D6/380**

(58) **Field of Classification Search**

USPC D6/334, 335, 349, 370-376, 379, 380
CPC A47C 1/00; A47C 3/00; A47C 3/04; A47C
3/12; A47C 5/04; A47C 5/14; A47C 7/02;
A47C 7/16; A47C 7/18; A47C 7/24;
A47C 7/36; A47C 7/40

See application file for complete search history.

(56) **References Cited**

U.S. PATENT DOCUMENTS

D195,256 S * 5/1963 Andersen et al. D6/374
D266,291 S * 9/1982 Leffler D6/352
D338,565 S * 8/1993 Tihany D6/334
D371,012 S * 6/1996 Klein D6/373
D408,646 S * 4/1999 Lin D6/379
D474,621 S * 5/2003 Pessa D6/379
D575,537 S * 8/2008 Petruccelli D6/334

D586,592 S * 2/2009 Petruccelli D6/716
D673,787 S * 1/2013 Bartlmae D6/380
D695,036 S * 12/2013 Pessa D6/360
D710,641 S * 8/2014 Petruccelli D6/716
D718,550 S * 12/2014 Ye D6/370
D799,848 S * 10/2017 Morrison D6/380

FOREIGN PATENT DOCUMENTS

JP 2013183847 A * 9/2013

* cited by examiner

Primary Examiner — R. Johnson

(74) *Attorney, Agent, or Firm* — Thomas|Horstemeyer,
LLP

(57) **CLAIM**

The ornamental design for a chair, as shown and described.

DESCRIPTION

FIG. 1 is a perspective view of a chair, showing my new design;

FIG. 2 is a front view thereof;

FIG. 3 is a rear view thereof;

FIG. 4 is a left side view thereof;

FIG. 5 is a right side view thereof;

FIG. 6 is a top view thereof;

FIG. 7 is a bottom view thereof;

FIG. 8 is a perspective view of a chair, showing a second embodiment of the design;

FIG. 9 is a front view thereof;

FIG. 10 is a rear view thereof;

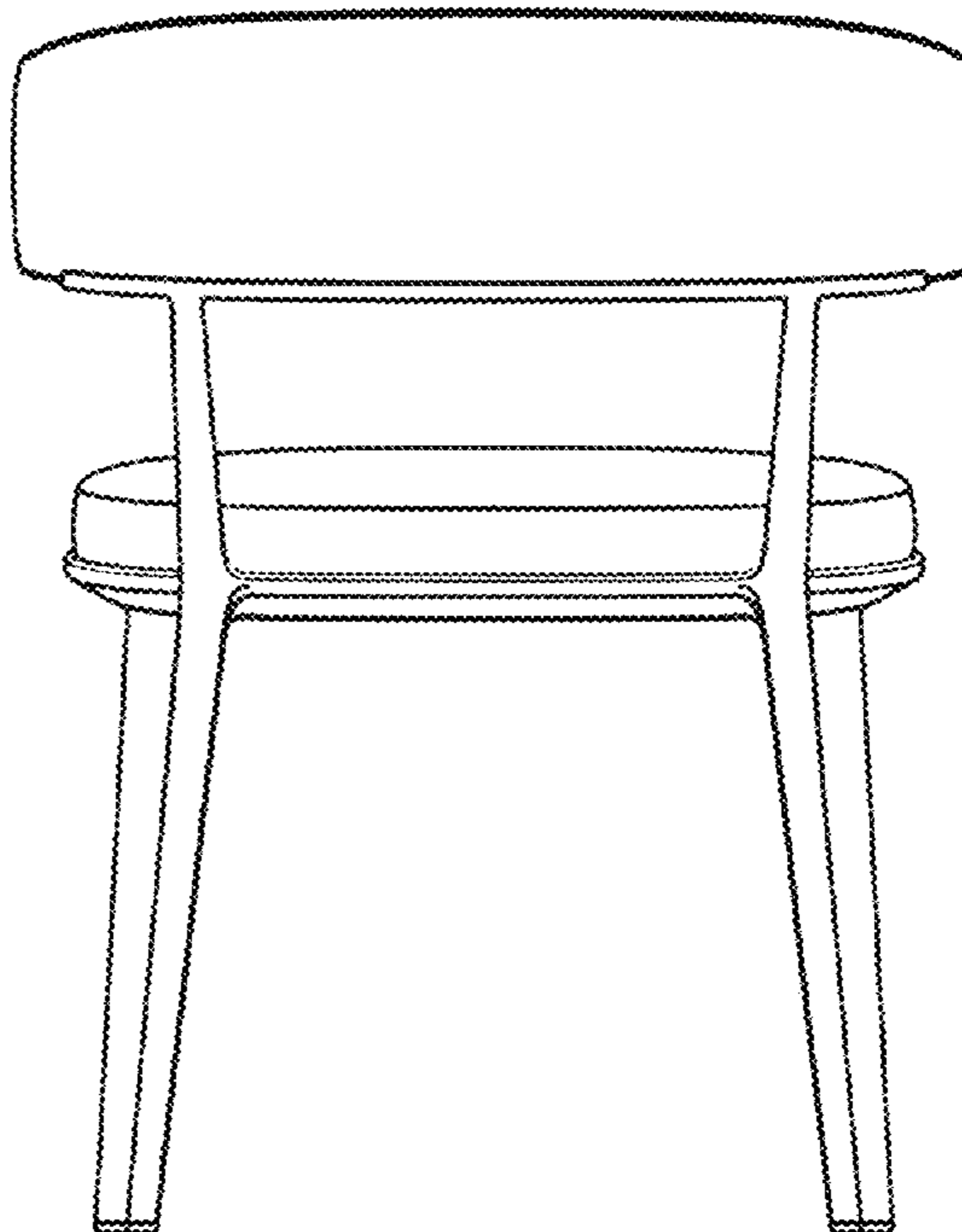
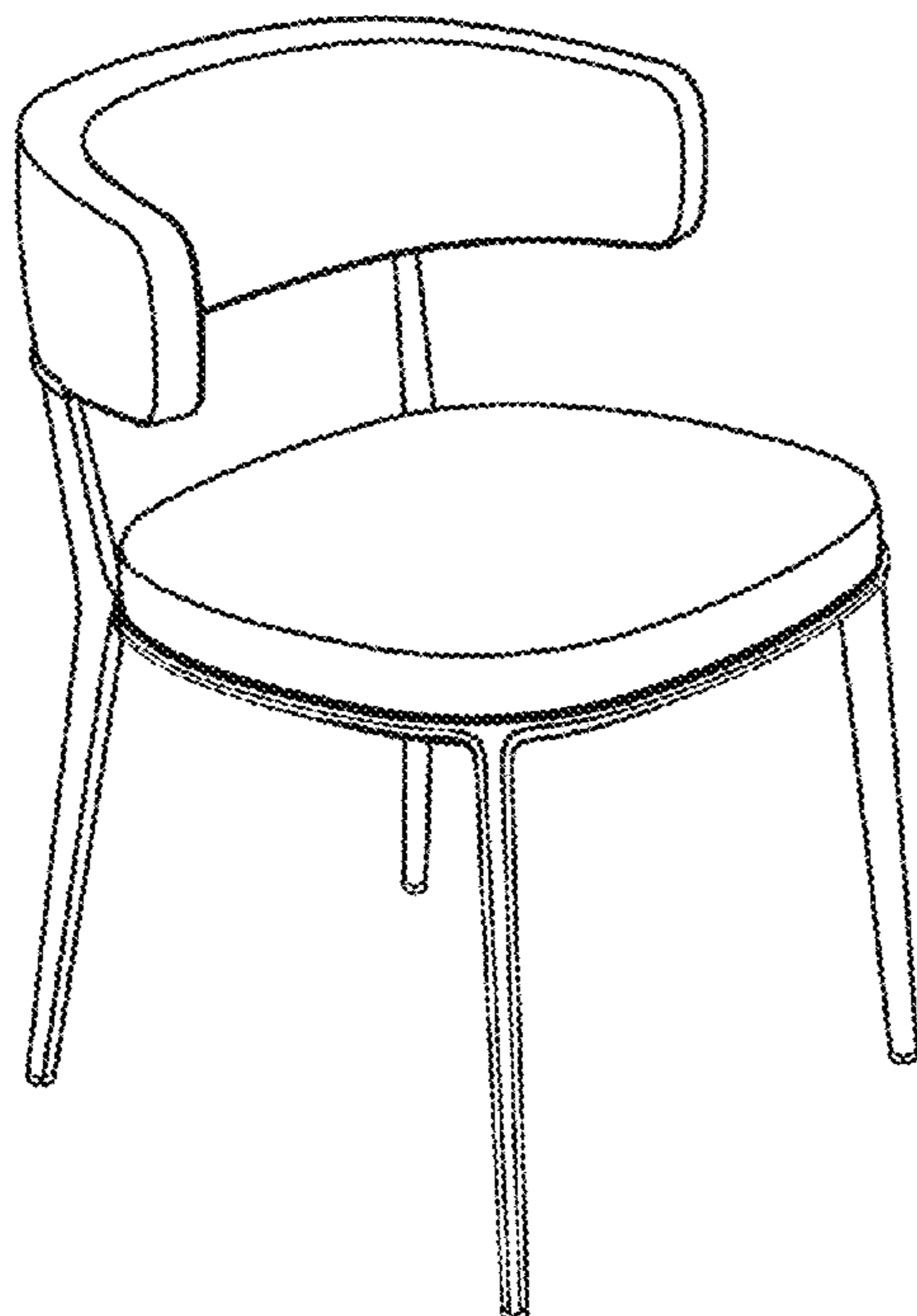
FIG. 11 is a left side view thereof;

FIG. 12 is a right side view thereof;

FIG. 13 is a top view thereof; and,

FIG. 14 is a bottom view thereof.

1 Claim, 14 Drawing Sheets



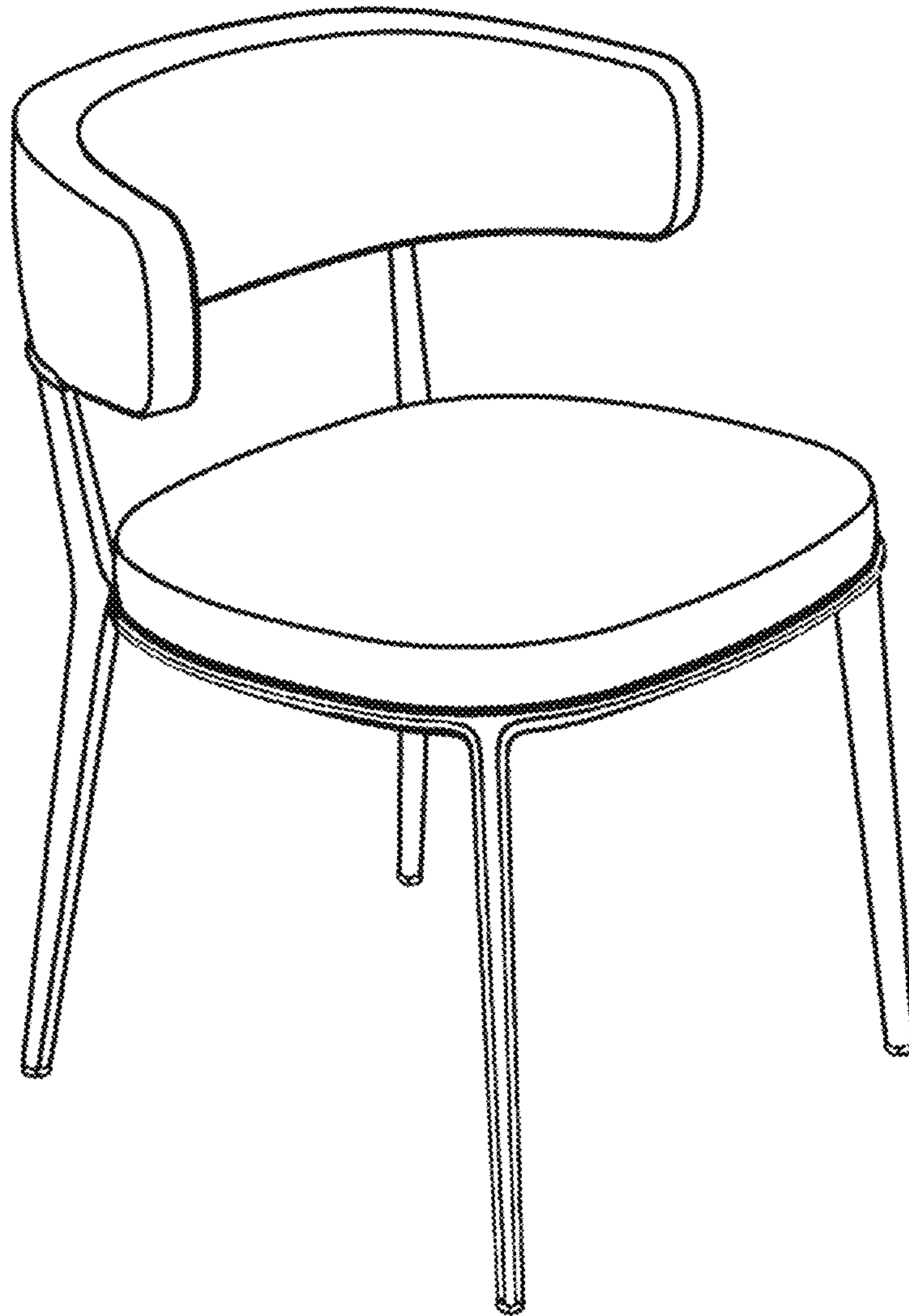


FIG. 1

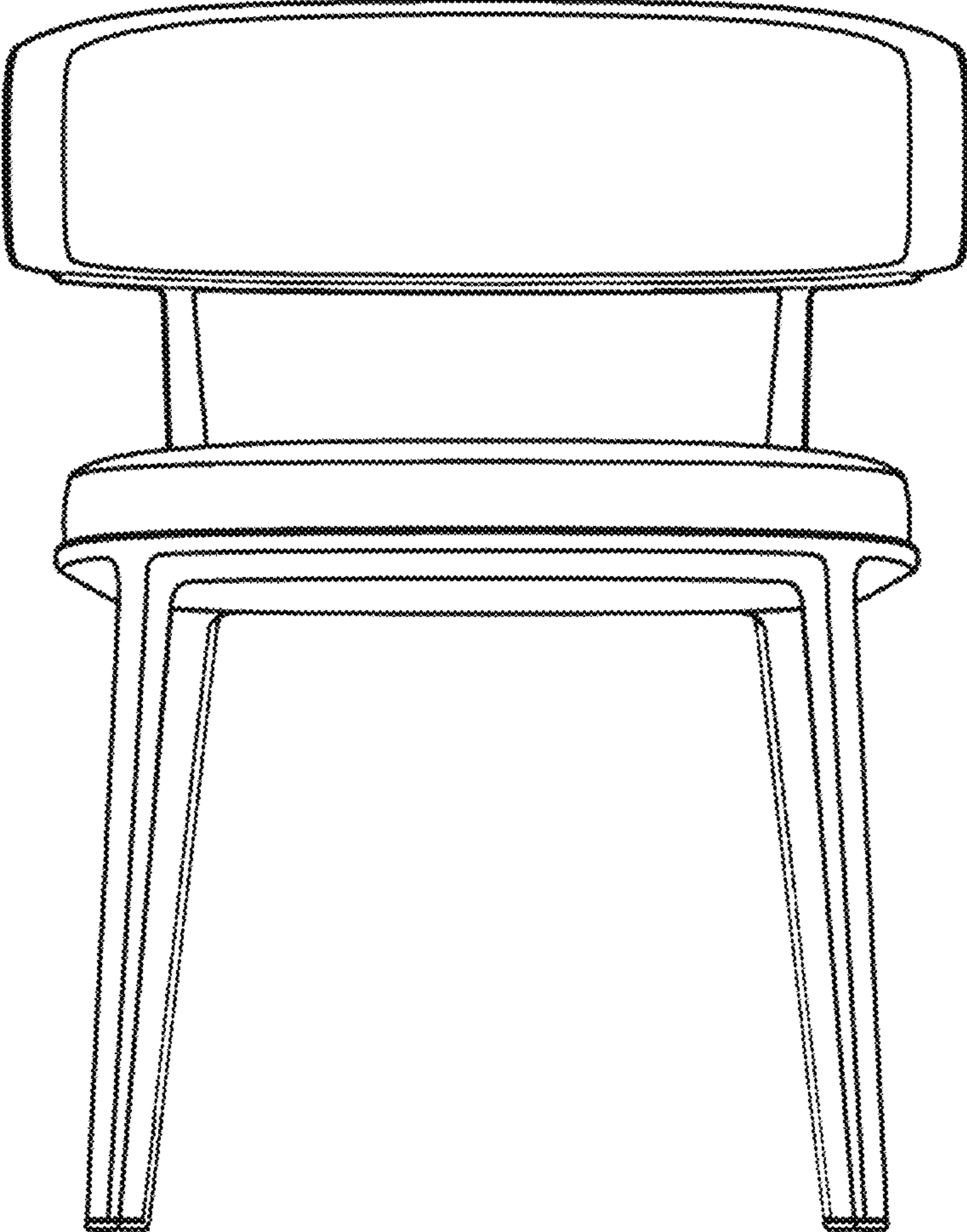


FIG. 2

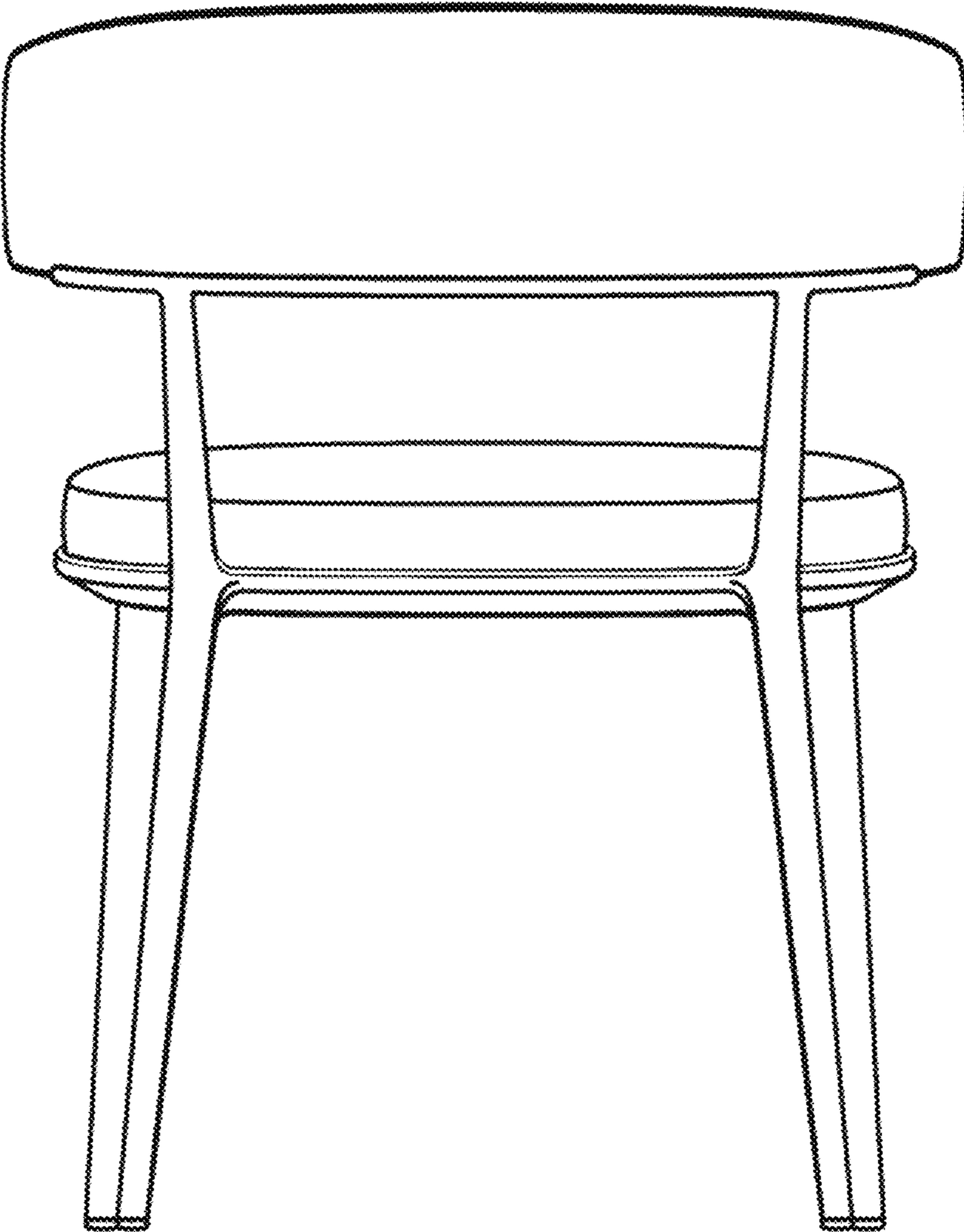


FIG. 3

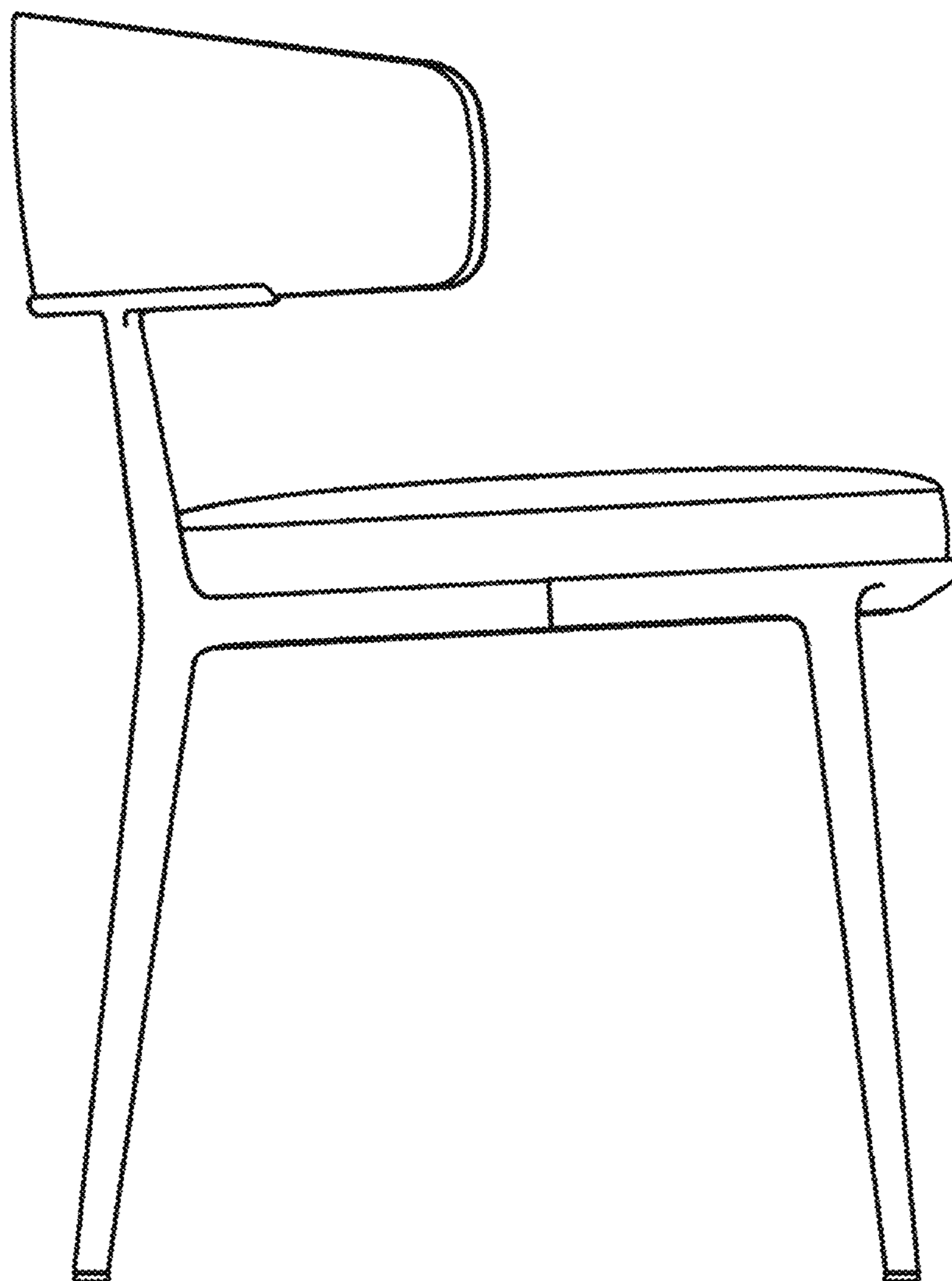


FIG. 4

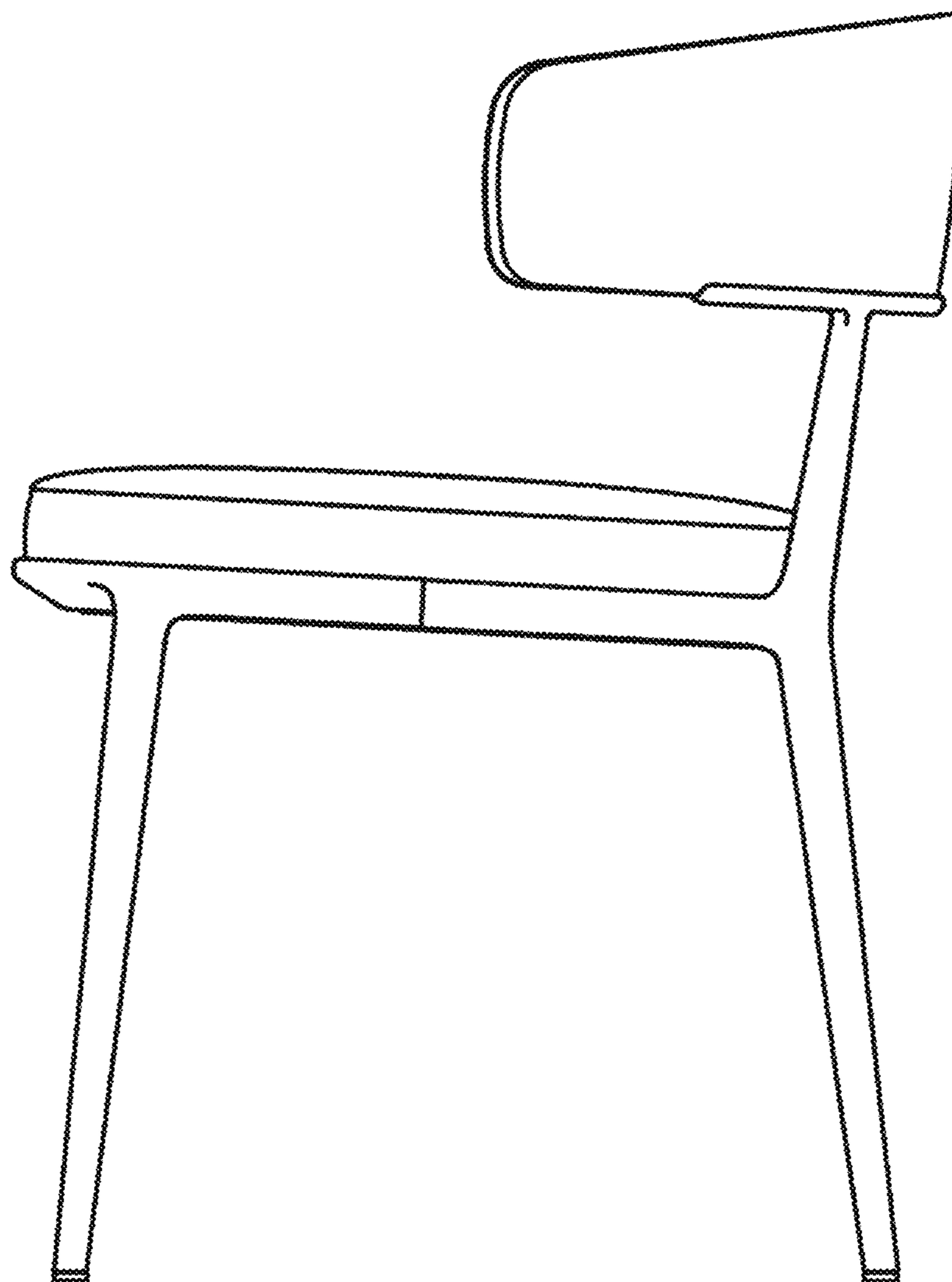


FIG. 5

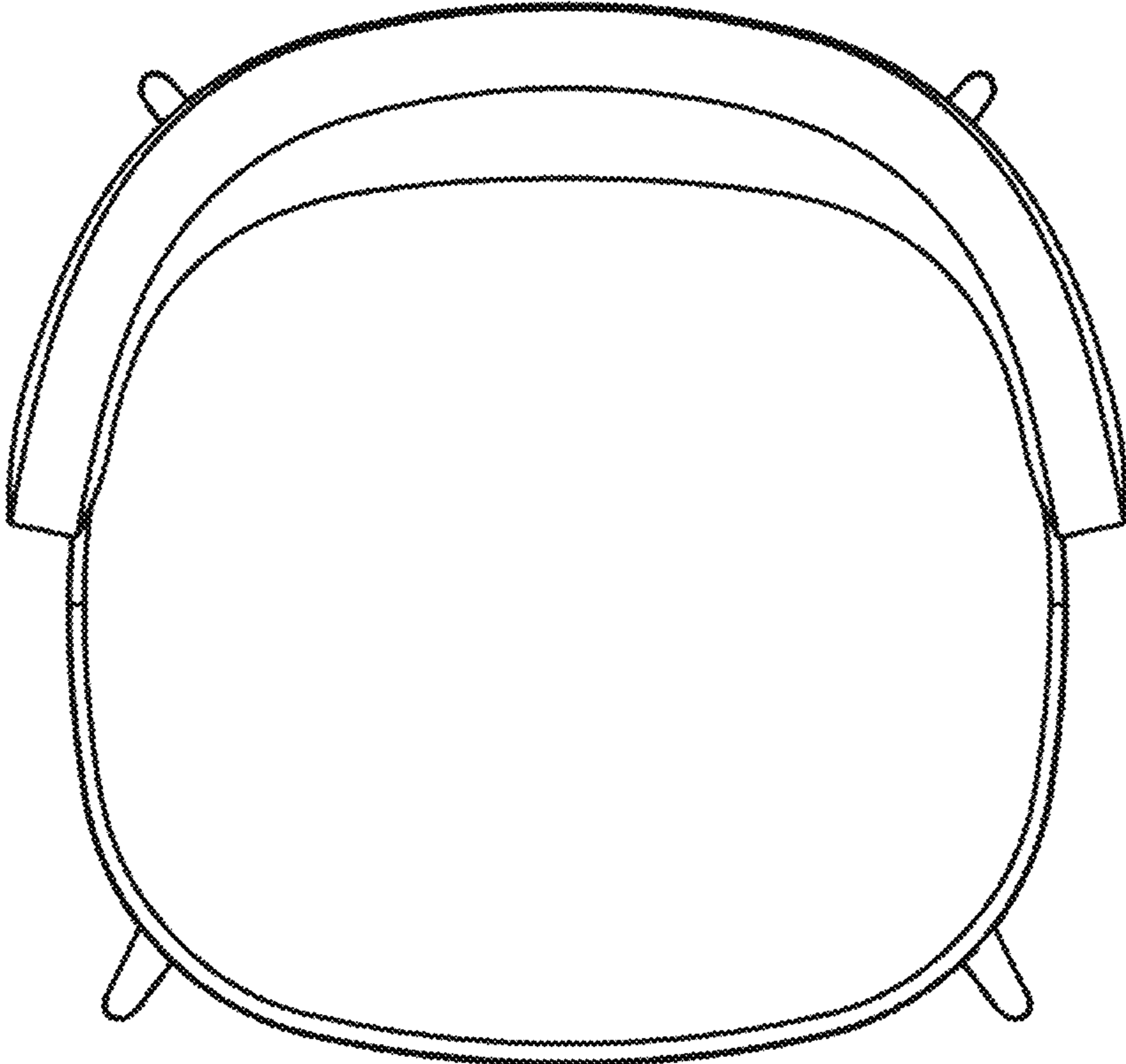


FIG. 6

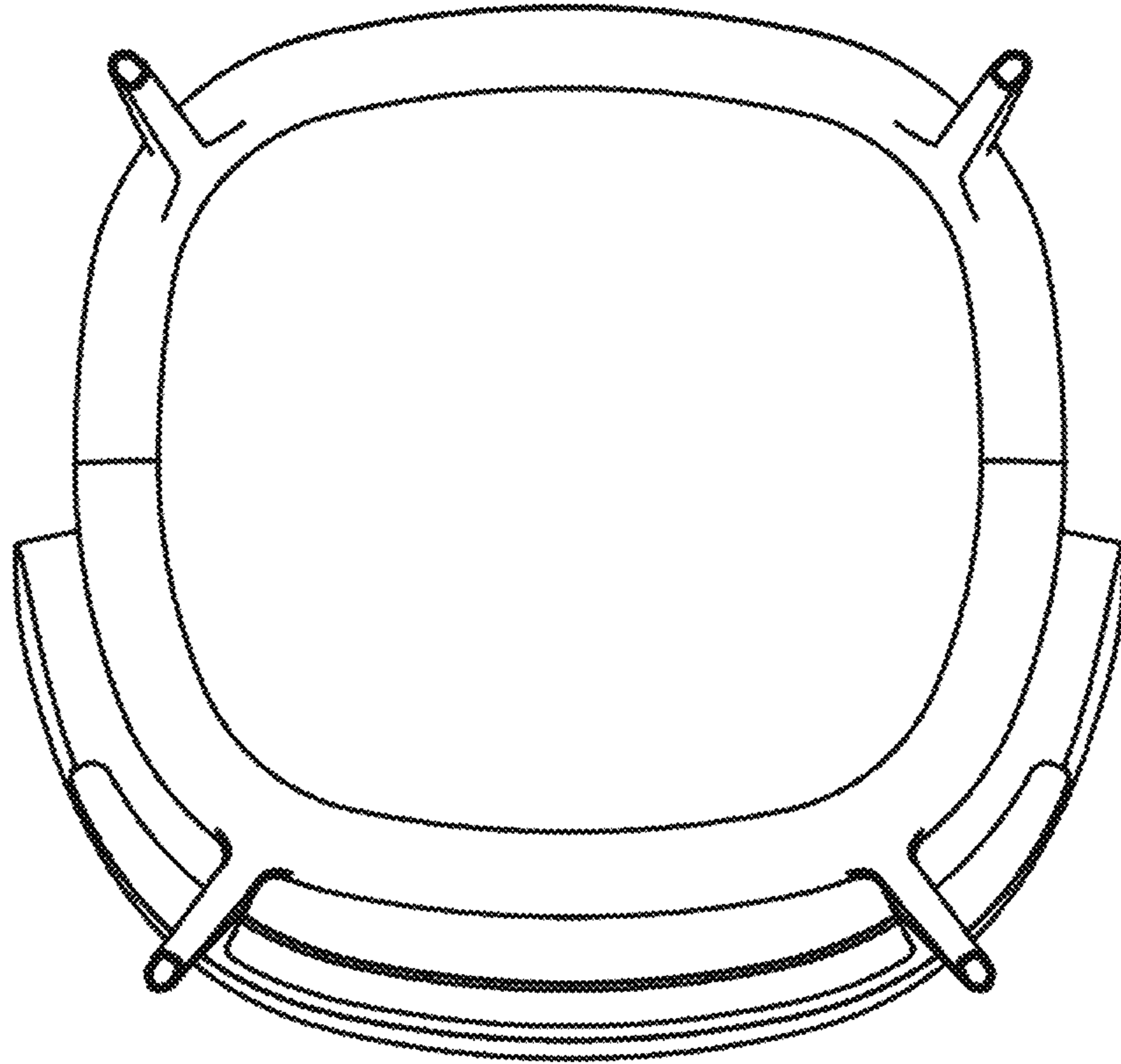


FIG. 7

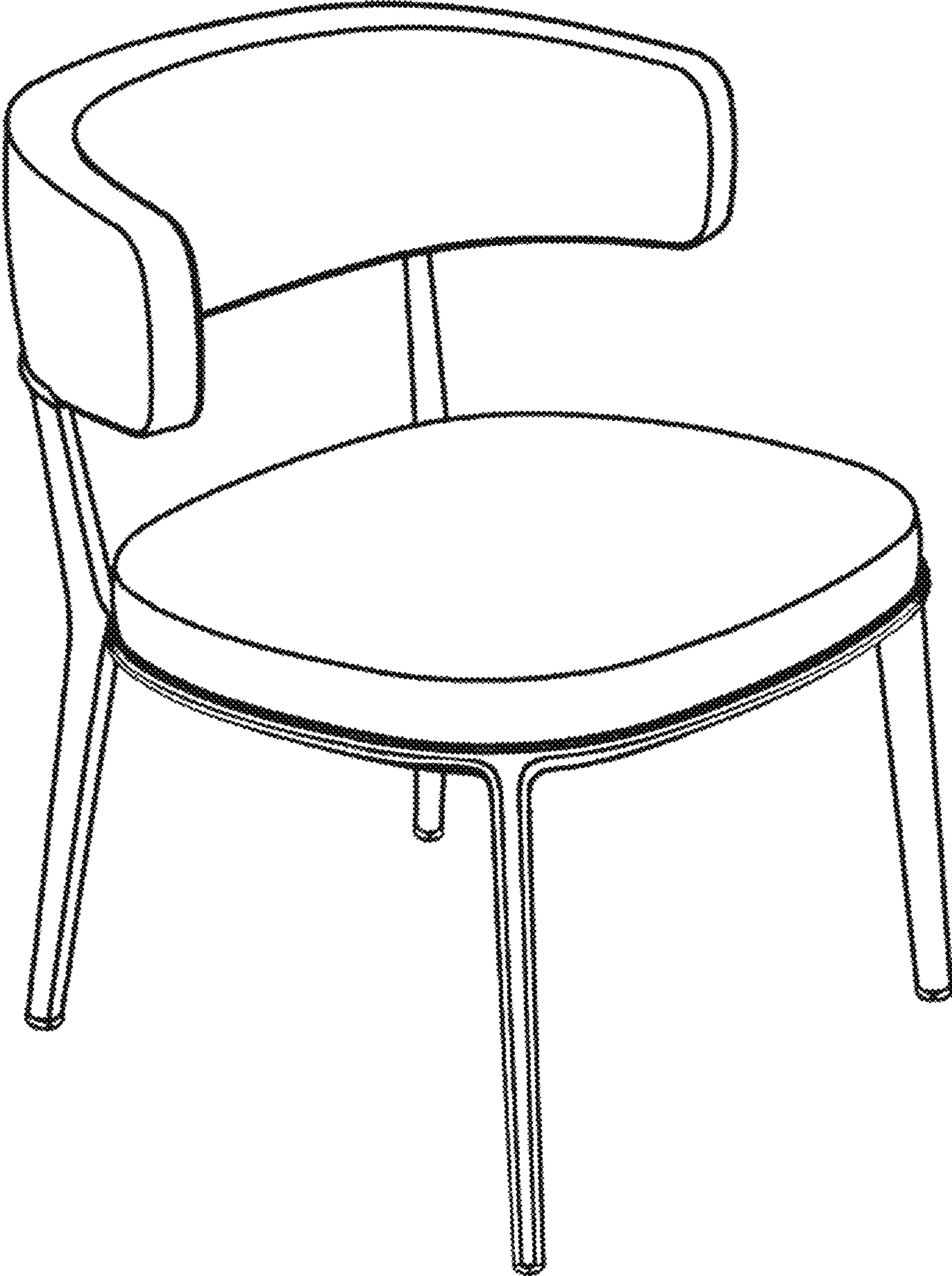


FIG. 8

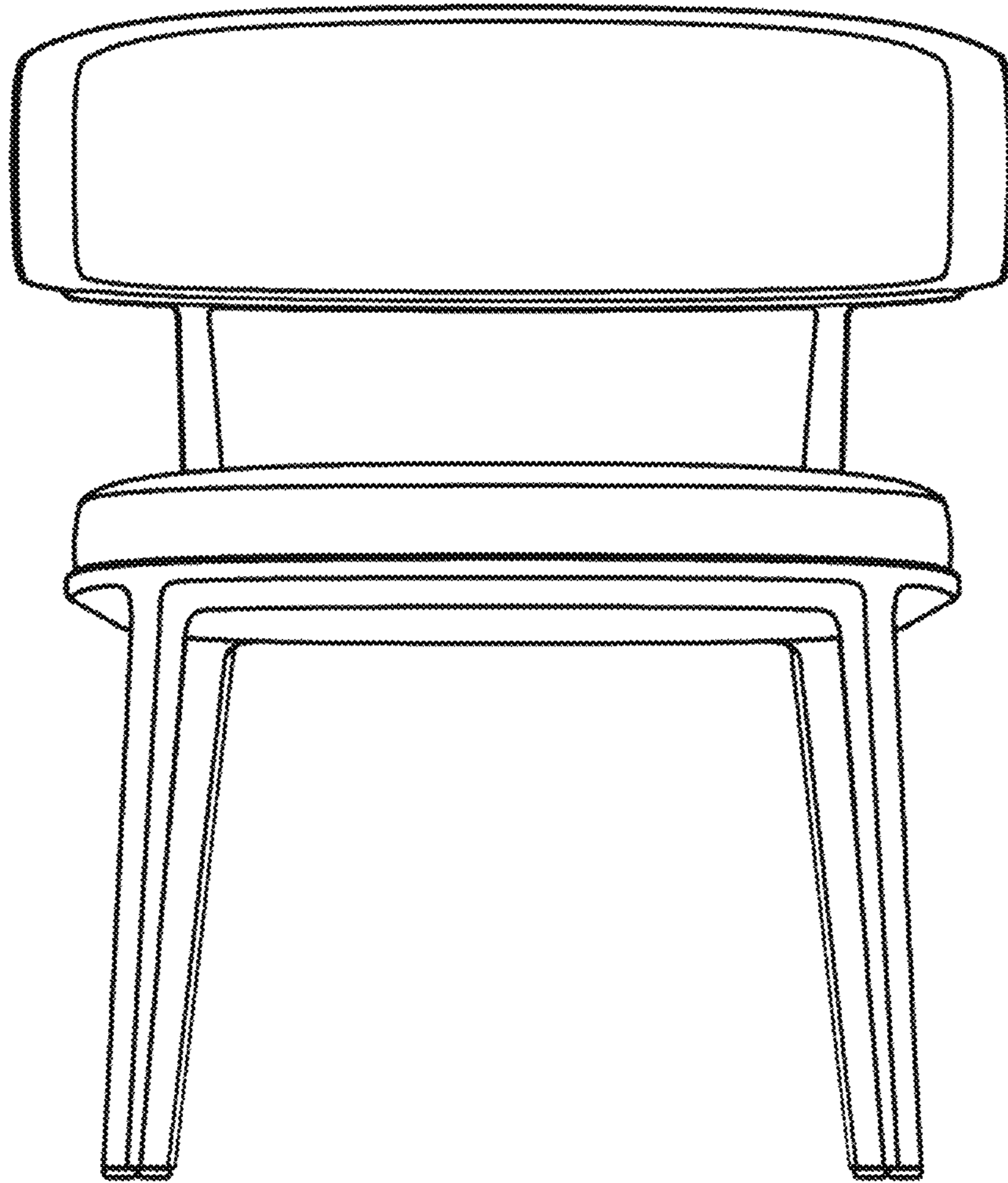


FIG. 9

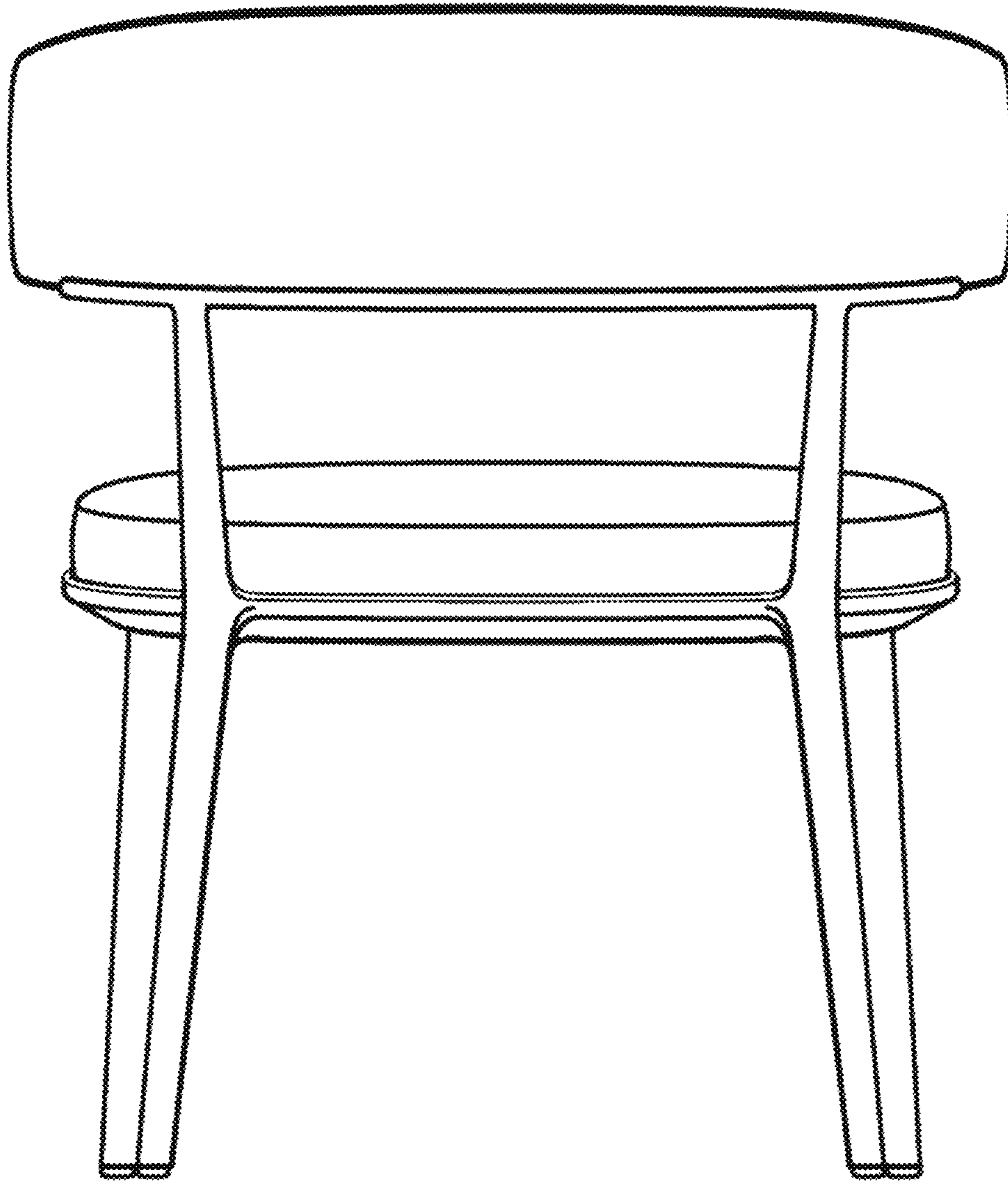


FIG. 10

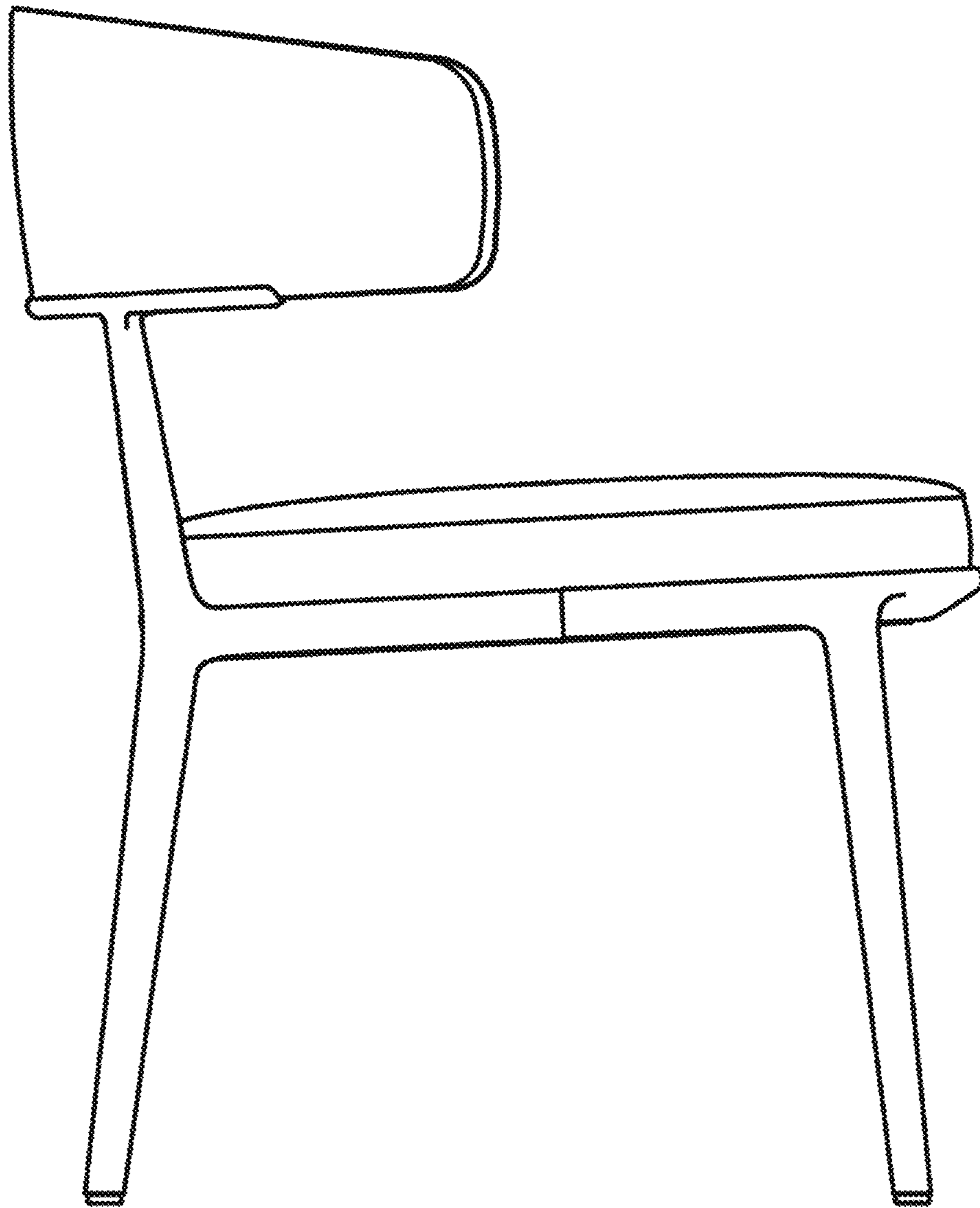


FIG. 11

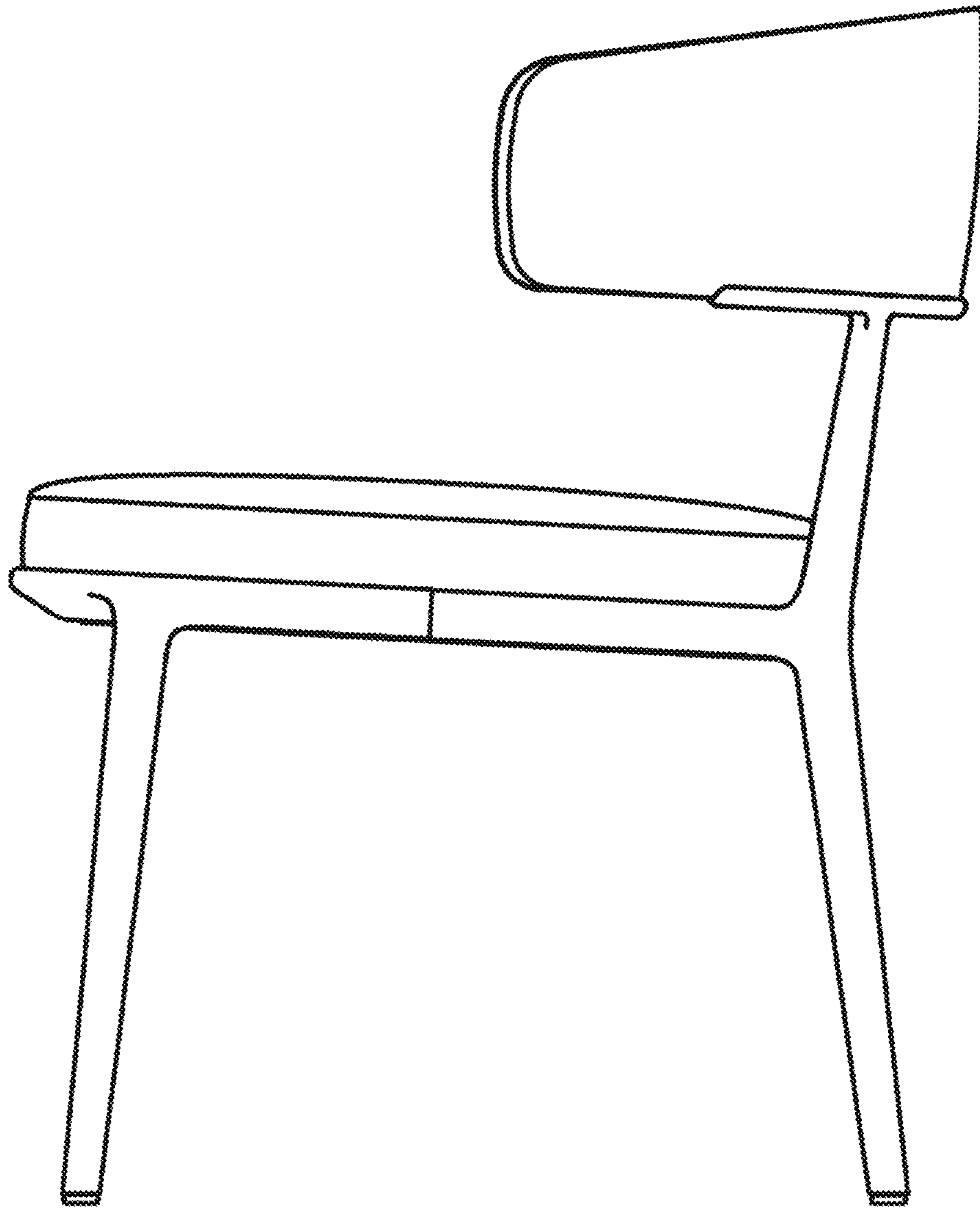


FIG. 12

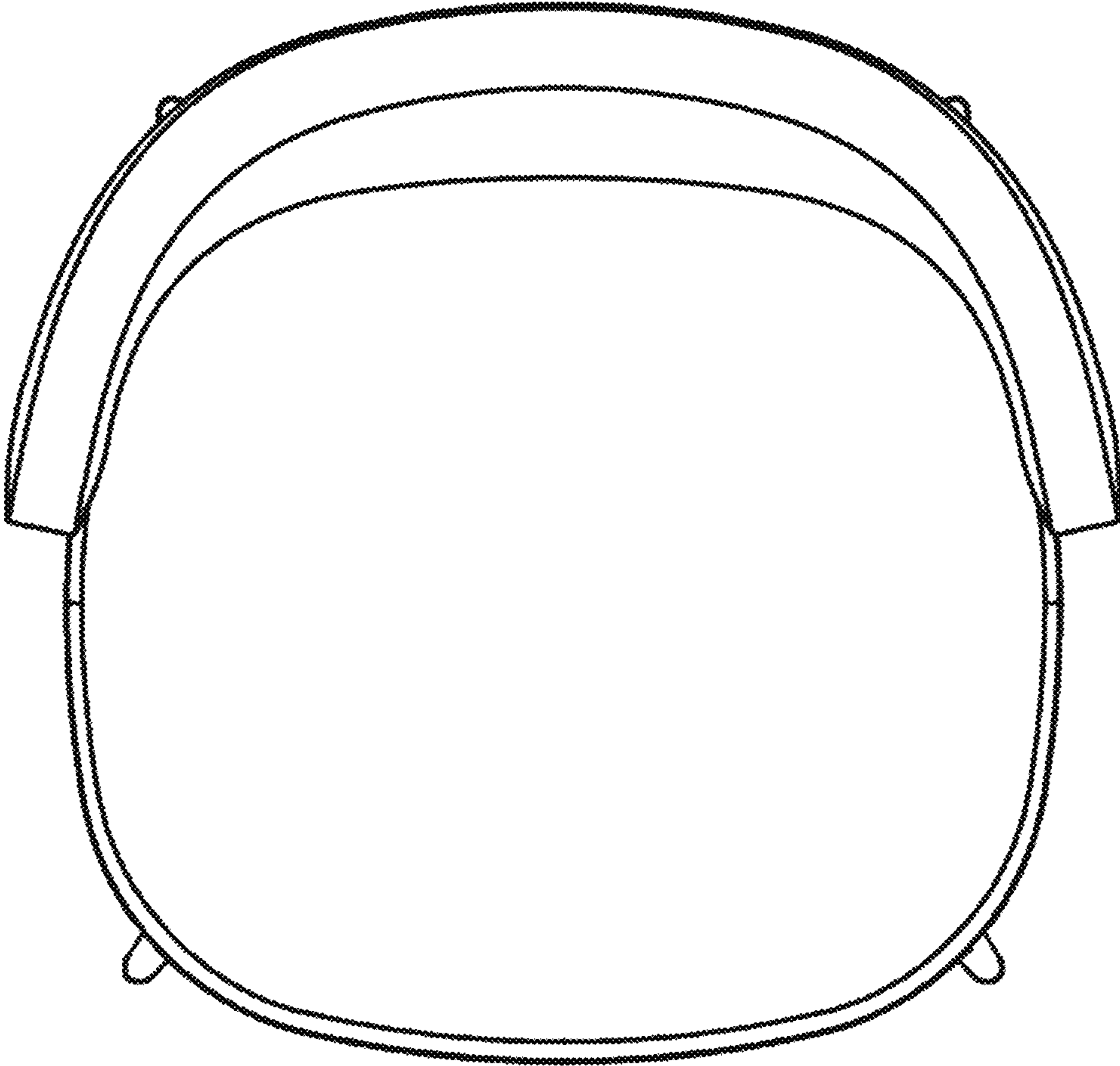


FIG. 13

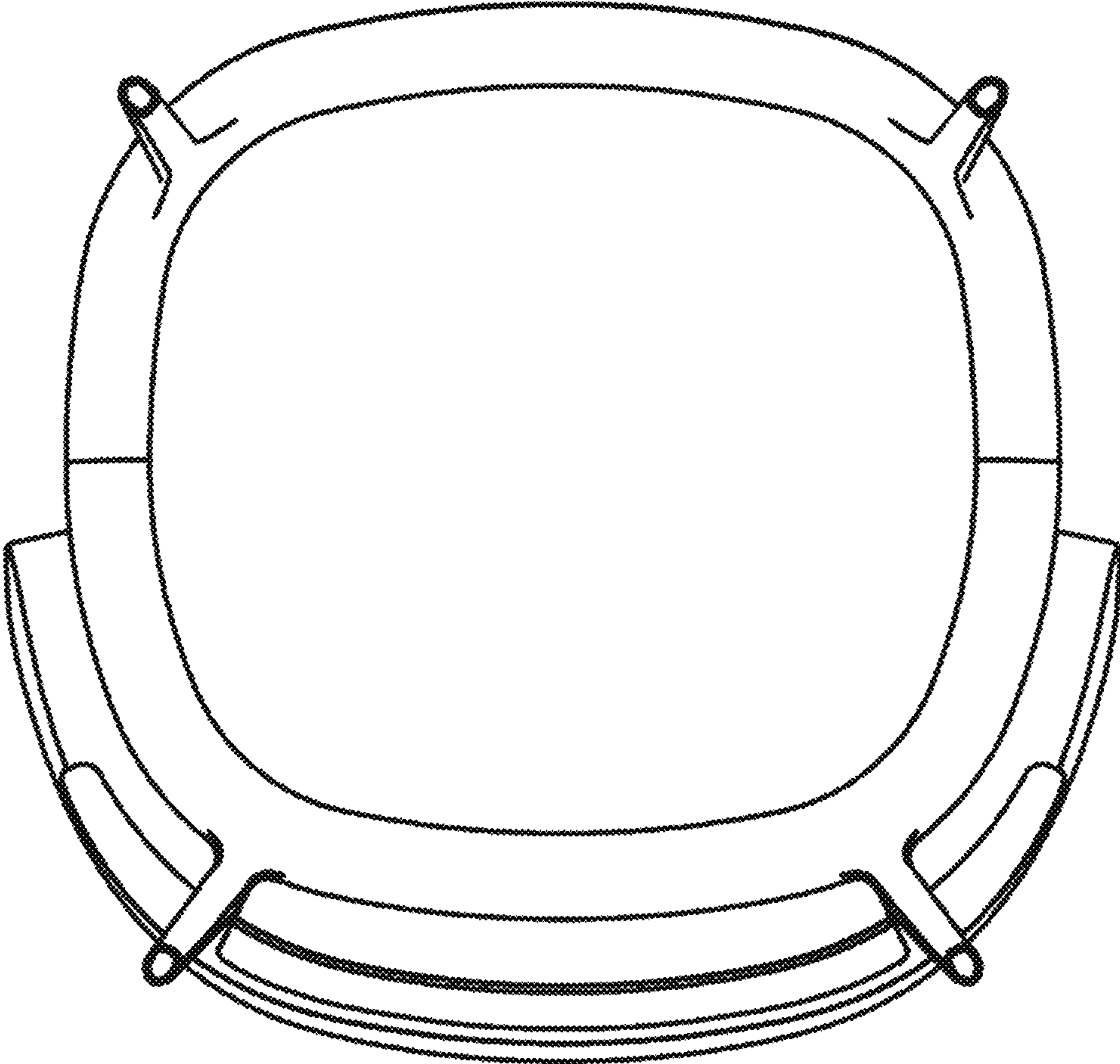


FIG. 14