



US00D871789S

(12) **United States Design Patent**  
**Zhu**

(10) **Patent No.:** **US D871,789 S**  
(45) **Date of Patent:** **\*\* Jan. 7, 2020**

- (54) **PORTABLE INFLATABLE SOFA**
- (71) Applicants: **Jing Zhu**, Shenzhen (CN); **Qiang Liao**,  
Yichun (CN)
- (72) Inventor: **Jing Zhu**, Shenzhen (CN)
- (\*\*) Term: **15 Years**
- (21) Appl. No.: **29/700,492**
- (22) Filed: **Aug. 2, 2019**
- (51) **LOC (12) Cl.** ..... **06-01**
- (52) **U.S. Cl.**  
USPC ..... **D6/361**
- (58) **Field of Classification Search**  
USPC ..... D6/334-336, 361, 371, 372, 373, 375,  
D6/377, 381, 716, 716.1, 716.4; D21/803  
CPC ... A47C 27/082; A47C 27/084; A47C 27/086;  
A47C 3/14; A47C 3/16; A47C 4/54;  
A47C 7/18; A47C 7/24  
See application file for complete search history.

D819,994 S \* 6/2018 Yang ..... D6/361  
D829,459 S \* 10/2018 Schnermann ..... D6/361  
D837,552 S \* 1/2019 Schnermann ..... D6/361

\* cited by examiner

*Primary Examiner* — Mimoso De  
(74) *Attorney, Agent, or Firm* — W&K IP

(57) **CLAIM**

The ornamental design for a portable inflatable sofa, as shown and described.

**DESCRIPTION**

FIG. 1 is a perspective view of a portable inflatable sofa;  
FIG. 2 is another perspective view thereof;  
FIG. 3 is a front elevational view thereof;  
FIG. 4 is a rear elevational view thereof;  
FIG. 5 is a left elevational view thereof;  
FIG. 6 is a right elevational view thereof;  
FIG. 7 is a top plan view thereof;  
FIG. 8 is a bottom plan view thereof;  
FIG. 9 is an enlarged view of partial detail 1 shown in FIG. 8 thereof; and,  
FIG. 10 is an enlarged view of partial detail 2 shown in FIG. 4 thereof.

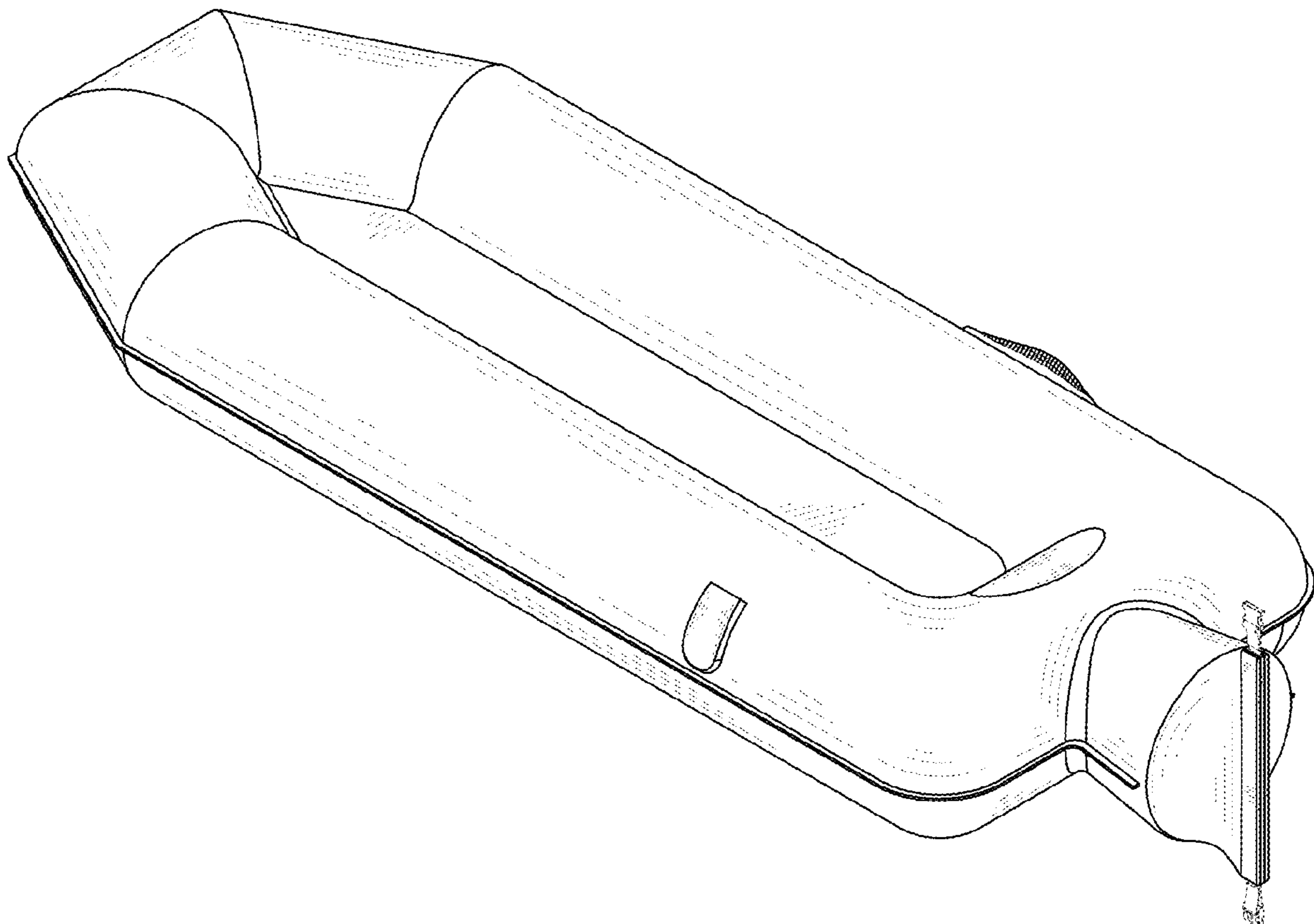
The broken lines in the drawings are for the purpose of illustrating portions of the portable inflatable sofa that form no part of the claimed design.

(56) **References Cited**

**U.S. PATENT DOCUMENTS**

D371,252 S 7/1996 Chaput  
D433,826 S 11/2000 Linder  
D819,993 S \* 6/2018 Yang ..... D6/361

**1 Claim, 10 Drawing Sheets**



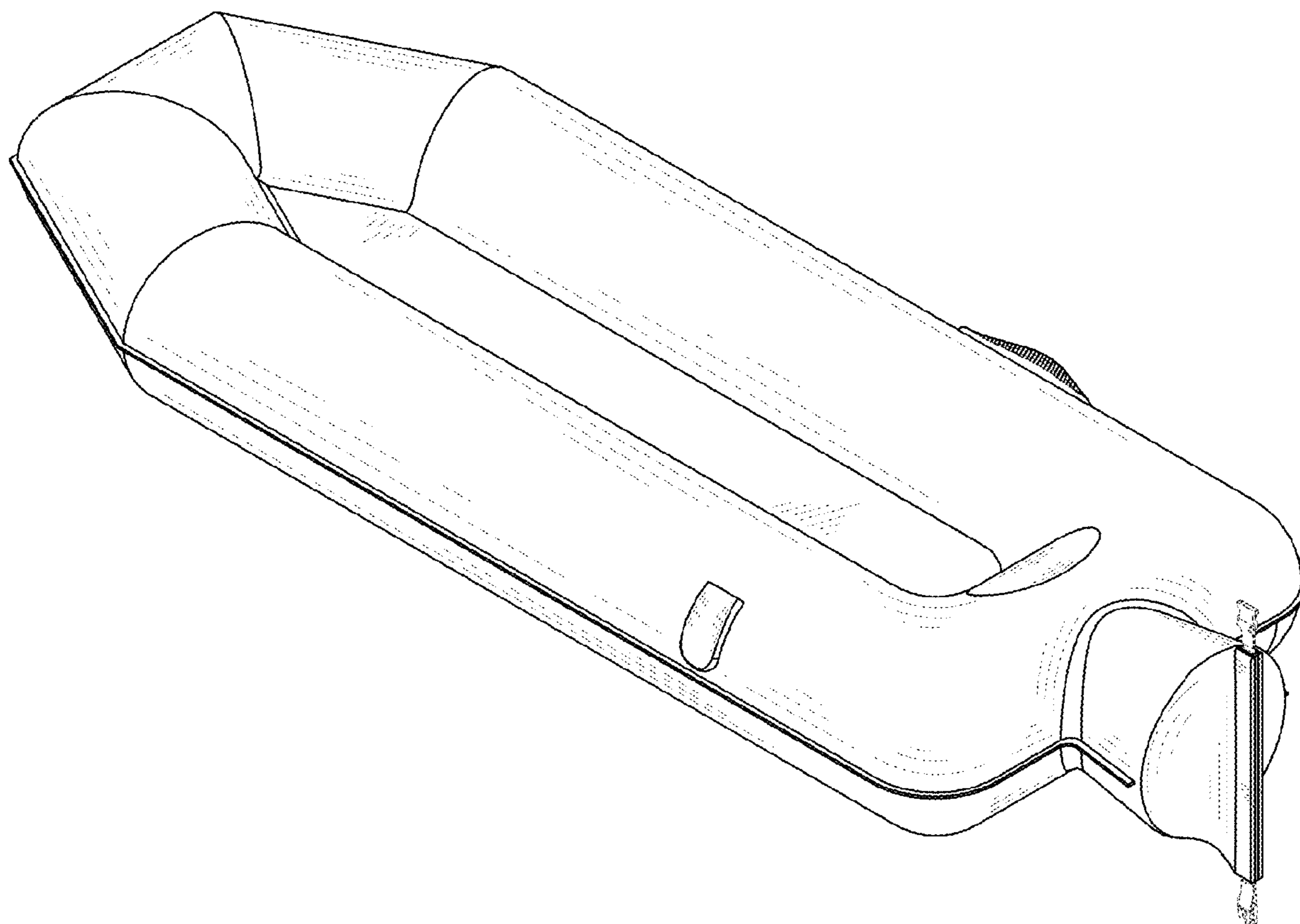


FIG.1

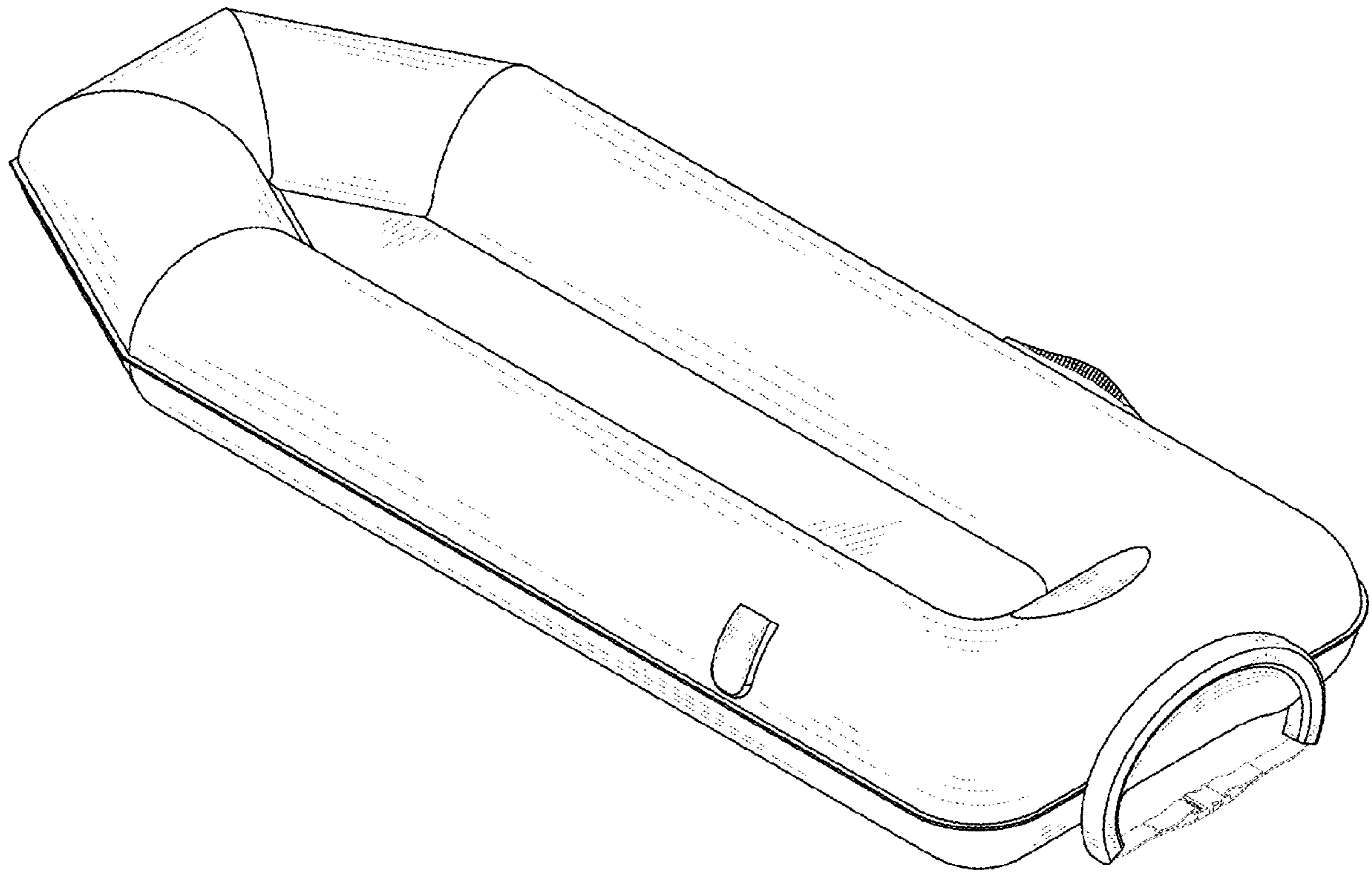


FIG. 2

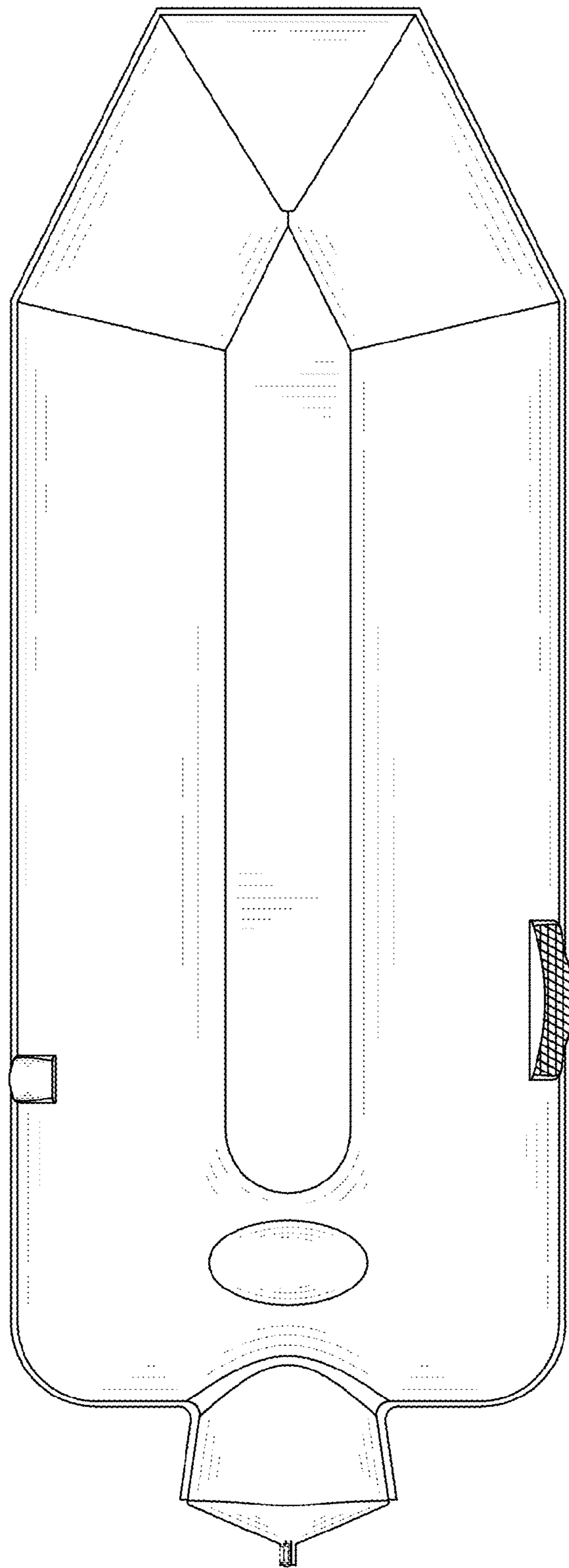


FIG. 3

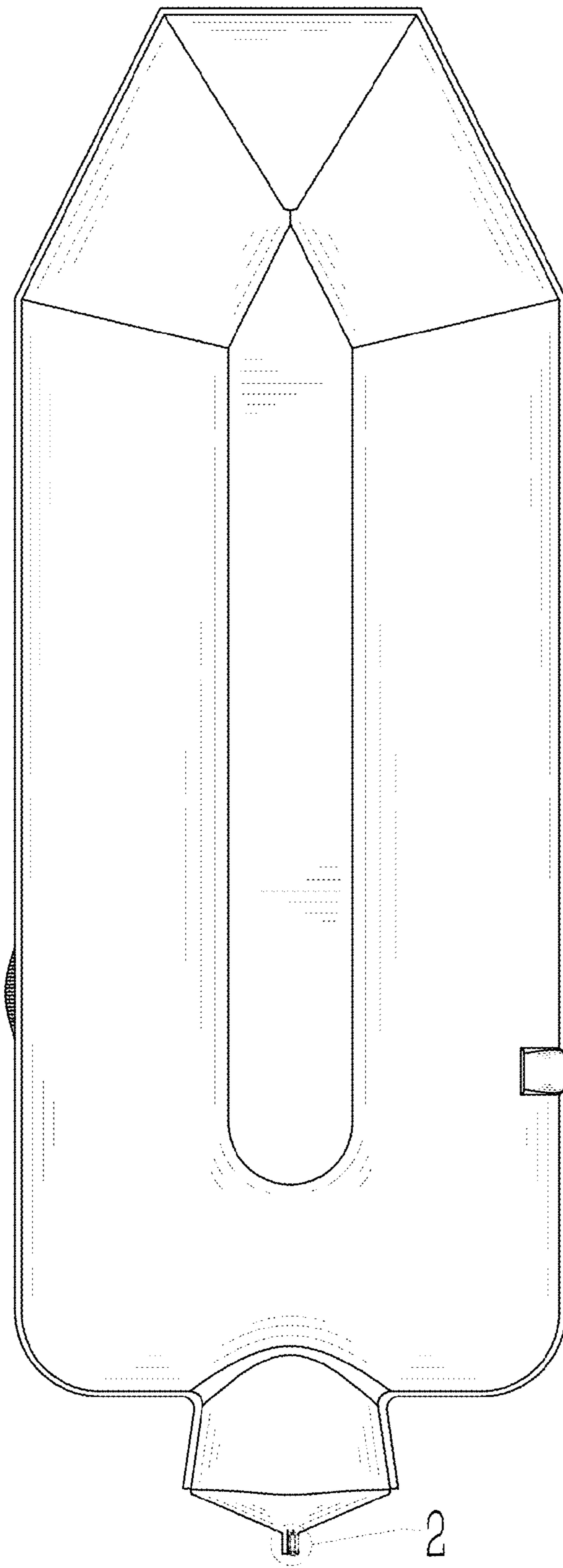


FIG. 4

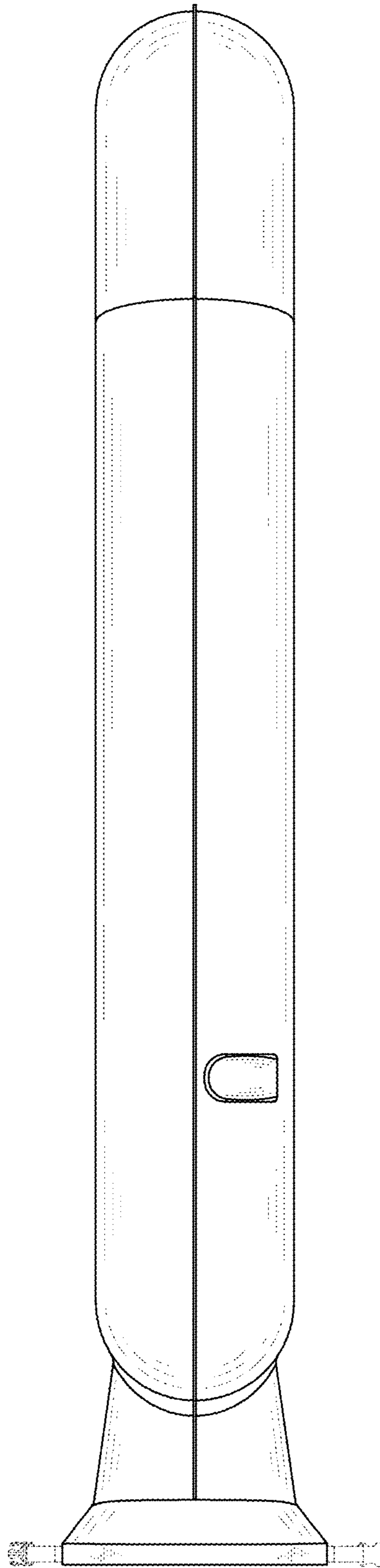


FIG. 5

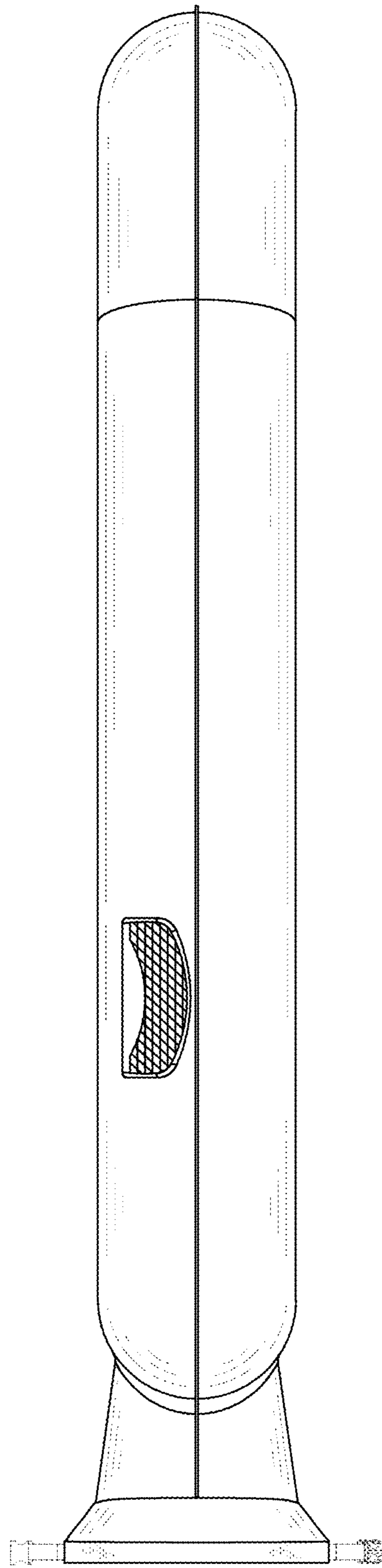


FIG. 6

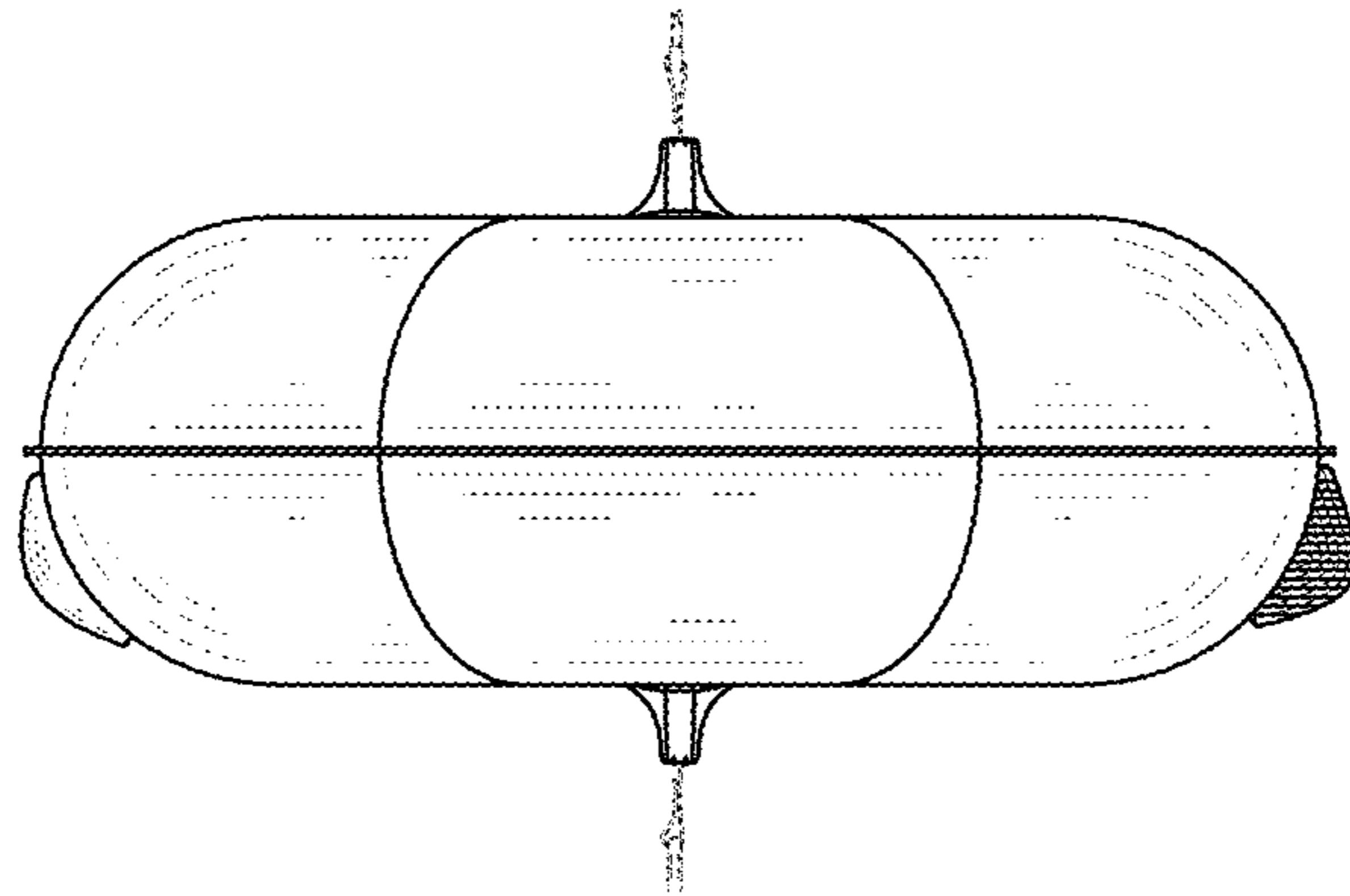


FIG. 7



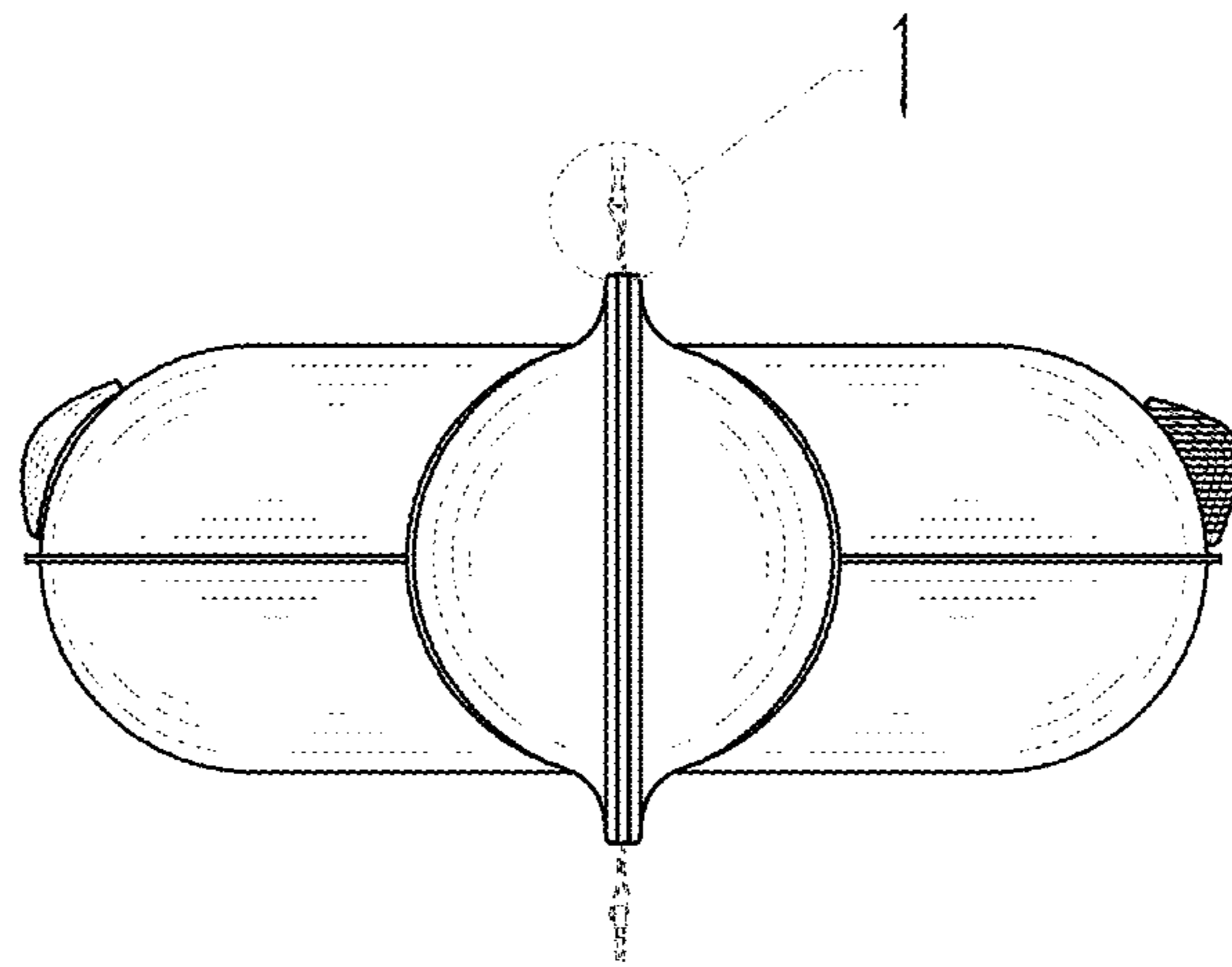


FIG. 8

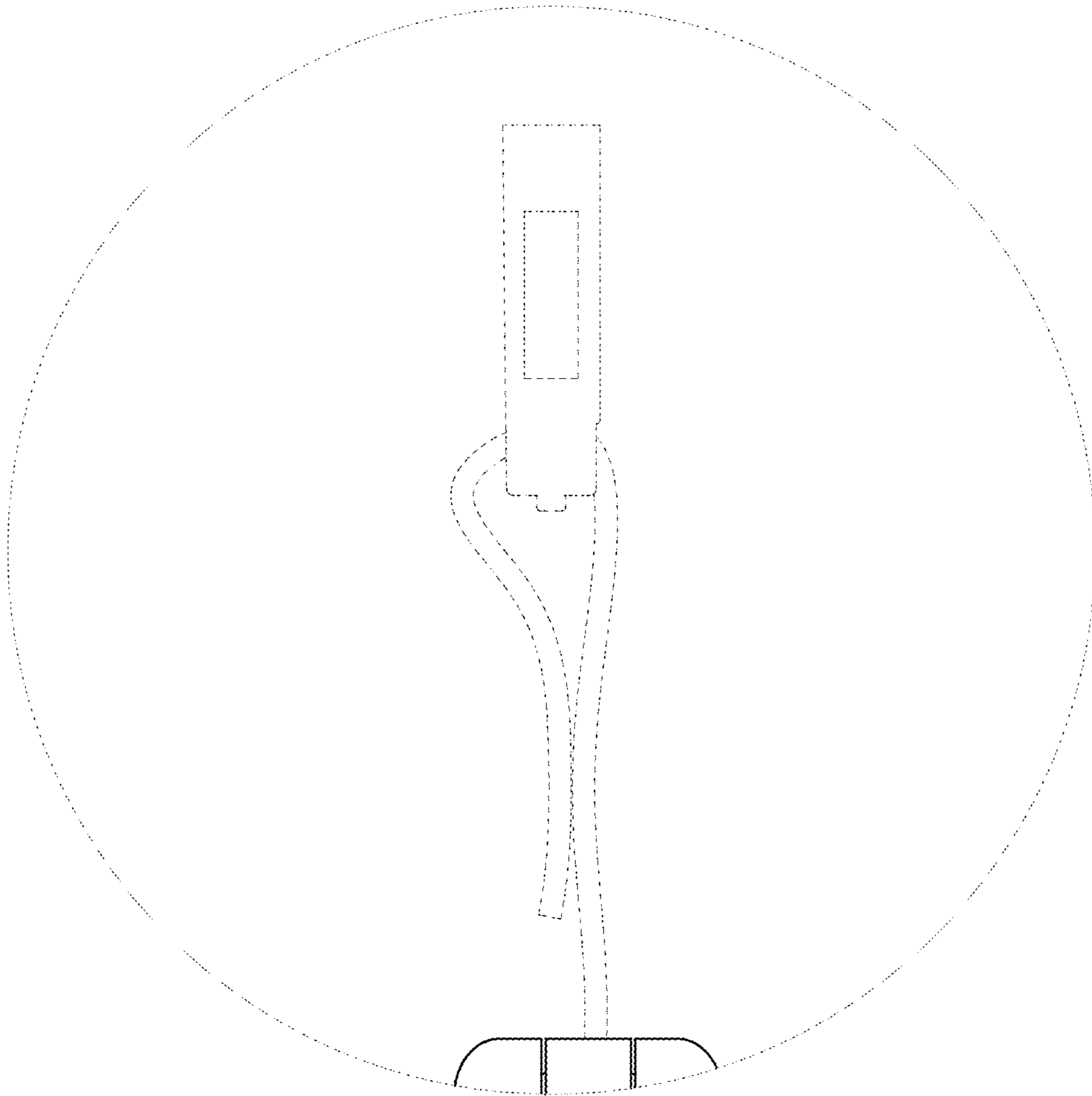


FIG. 9

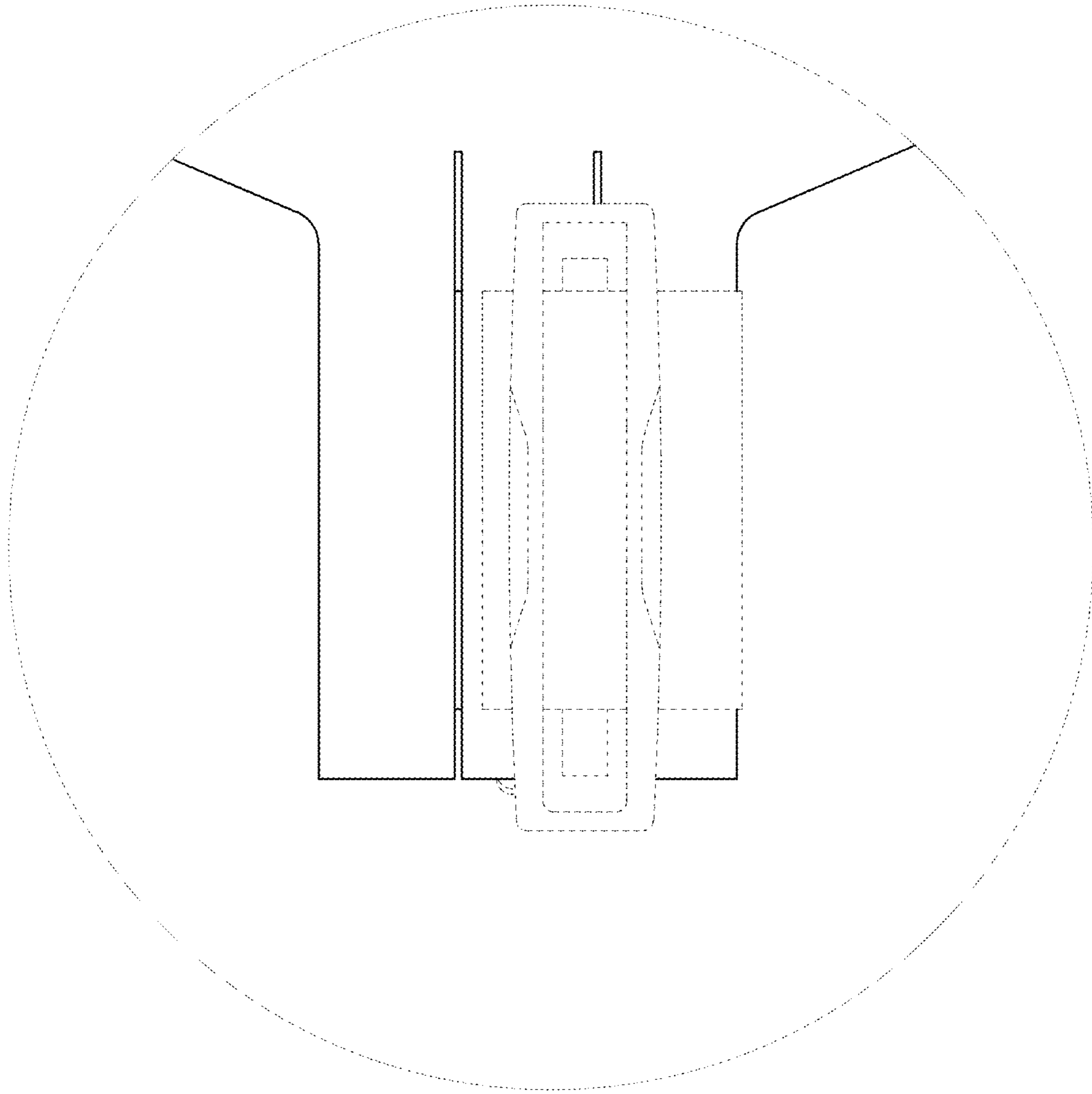


FIG.10