



US00D871787S

(12) **United States Design Patent** (10) **Patent No.:** **US D871,787 S**
Lv (45) **Date of Patent:** **** Jan. 7, 2020**

(54) **ROCKING CHAIR**
(71) Applicant: **Zhibo Weng**, Ningbo (CN)
(72) Inventor: **Zhenxiao Lv**, Ningbo (CN)
(73) Assignee: **Zhibo Weng**, Ningbo (CN)
(**) Term: **15 Years**
(21) Appl. No.: **29/632,559**
(22) Filed: **Jan. 8, 2018**

D677,914 S * 3/2013 Cardenas D6/347
D728,949 S * 5/2015 Fang D6/348
D728,950 S * 5/2015 Fang D6/348
D734,620 S * 7/2015 Fang D6/347
D734,954 S * 7/2015 Wang D6/361
D751,833 S * 3/2016 Lv D6/348
D781,060 S * 3/2017 Zhang D6/348
D799,838 S * 10/2017 Lv D6/347
D801,710 S * 11/2017 Weng D6/347
D804,836 S * 12/2017 Lieberman D6/347
D823,012 S * 7/2018 Yu D6/348
D840,183 S * 2/2019 Rideau D6/716
D843,744 S * 3/2019 Weng D6/347
D848,193 S * 5/2019 Furuland D6/718

(30) **Foreign Application Priority Data**

Sep. 21, 2017 (CN) 2017 3 0449499

(51) **LOC (12) Cl.** **06-01**
(52) **U.S. Cl.**
USPC **D6/348**

(58) **Field of Classification Search**
USPC D6/347, 348, 361, 716, 718; D12/52
CPC A45F 3/22; A45F 3/24; A45F 3/26; A47D
13/10; A47D 13/105; A47C 1/14; A47C
3/0255; A47C 3/029; A47C 3/027; A47C
3/02; A47C 3/04; A47C 3/34; A47C 4/02;
A47C 4/03; A47C 4/04; A47C 5/12;
A47C 7/52; A47C 7/506; A47C 9/007;
A47C 15/008; A47C 17/84; A47C 31/00;
A63G 9/00; A63G 9/02; Y10S 135/909;
Y10T 403/32409

See application file for complete search history.

(56) **References Cited**

U.S. PATENT DOCUMENTS

D236,046 S * 7/1975 Ginat D6/348
D241,289 S * 9/1976 Lishman D6/348
D279,050 S * 6/1985 Tietz D6/348
D335,036 S * 4/1993 Simmons 4/579
D379,270 S * 5/1997 Voyce D6/347
D548,472 S * 8/2007 Habing D6/347
D565,852 S * 4/2008 Wang D6/348

OTHER PUBLICATIONS

“Vivere Double Chaise Rocker rocking chair” Sep. 7, 2015, tuinmeubelen-expert.nl, site visited Sep. 6, 2019 <<https://www.tuinmeubelen-expert.nl/ligbed?f=MjM3OTQ3MA&sort=p>> (Year: 2015).*

* cited by examiner

Primary Examiner — Kevin K Rudzinski
Assistant Examiner — Paul D Bohannon
(74) *Attorney, Agent, or Firm* — Matthias Scholl P.C.;
Matthias Scholl

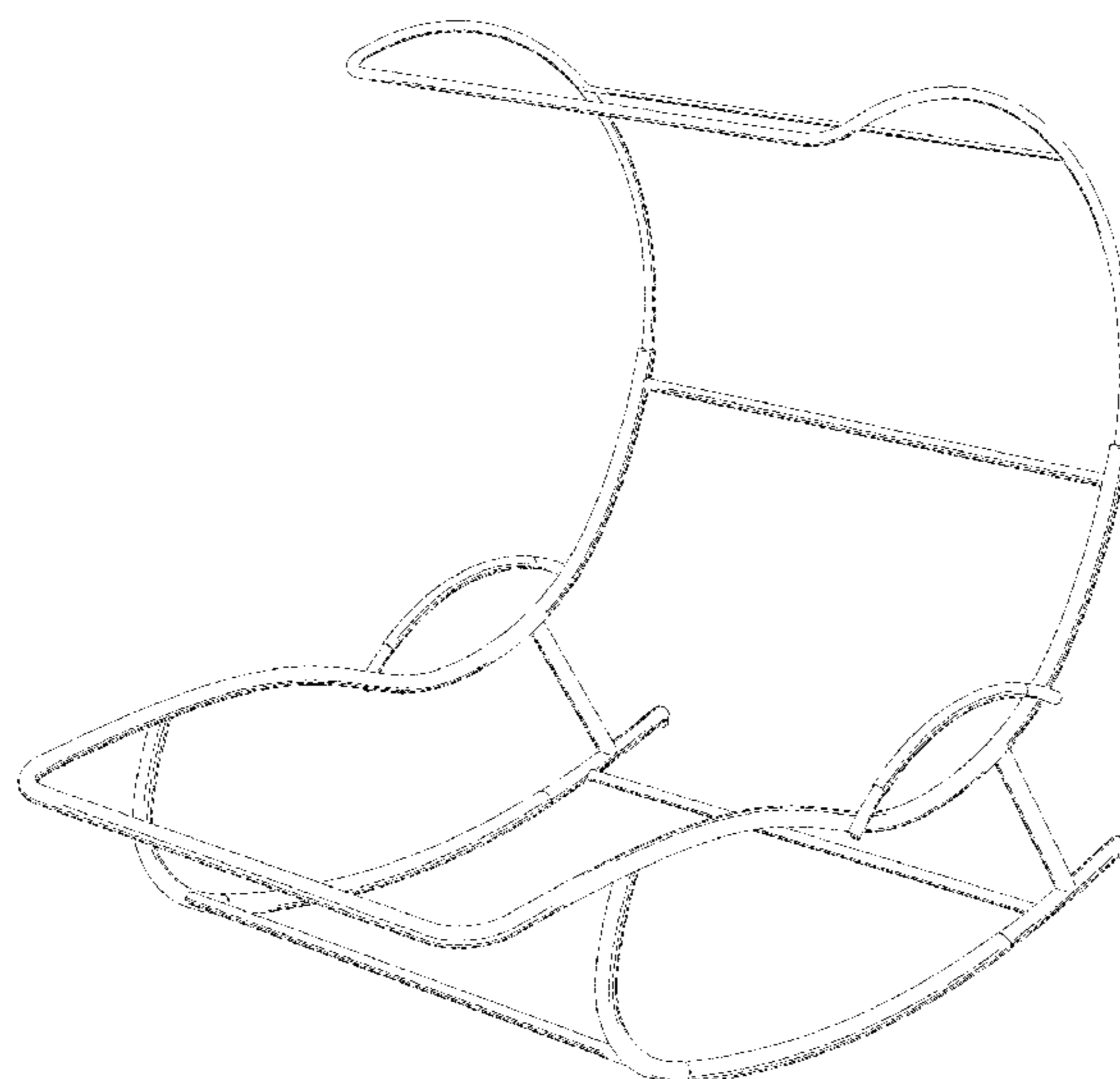
(57) **CLAIM**

The ornamental design for a rocking chair, as shown and described.

DESCRIPTION

FIG. 1 is a front elevation view of a rocking chair;
FIG. 2 is a rear elevation view thereof;
FIG. 3 is a left-side elevation view thereof;
FIG. 4 is a right-side elevation view thereof;
FIG. 5 is a top plan view thereof;
FIG. 6 is a bottom plan view thereof; and,
FIG. 7 is a perspective view thereof.

1 Claim, 7 Drawing Sheets



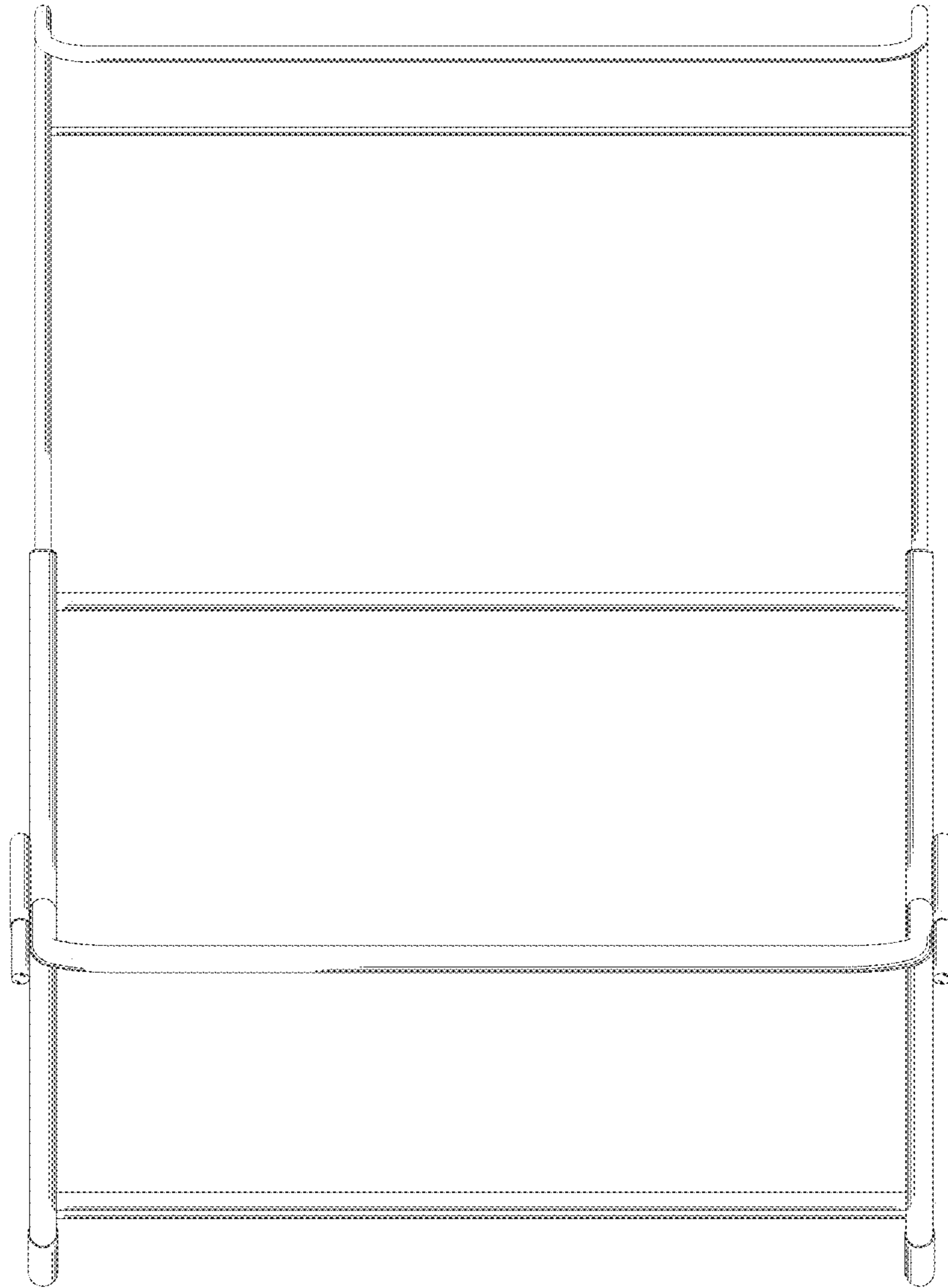


FIG. 1

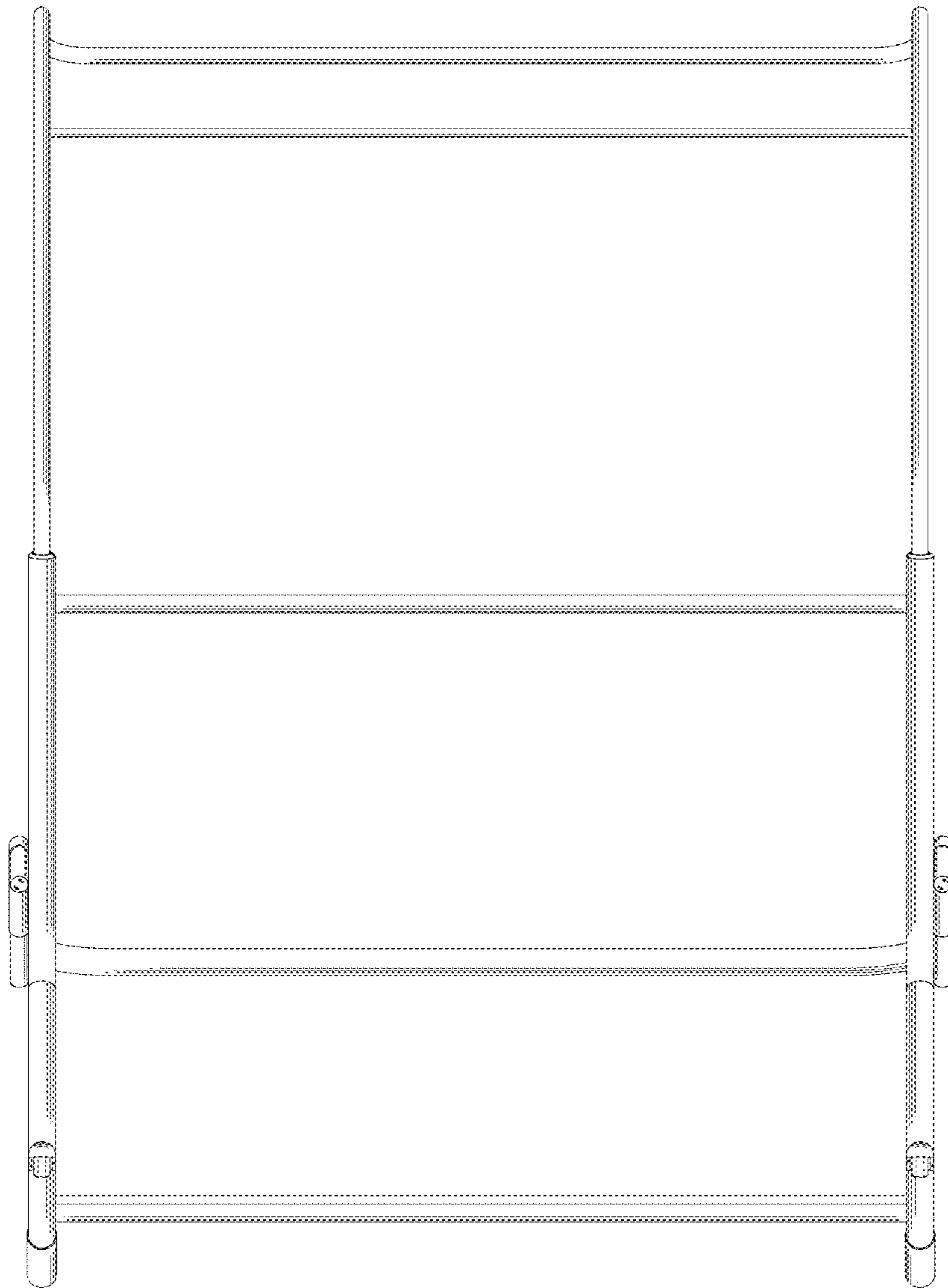


FIG. 2

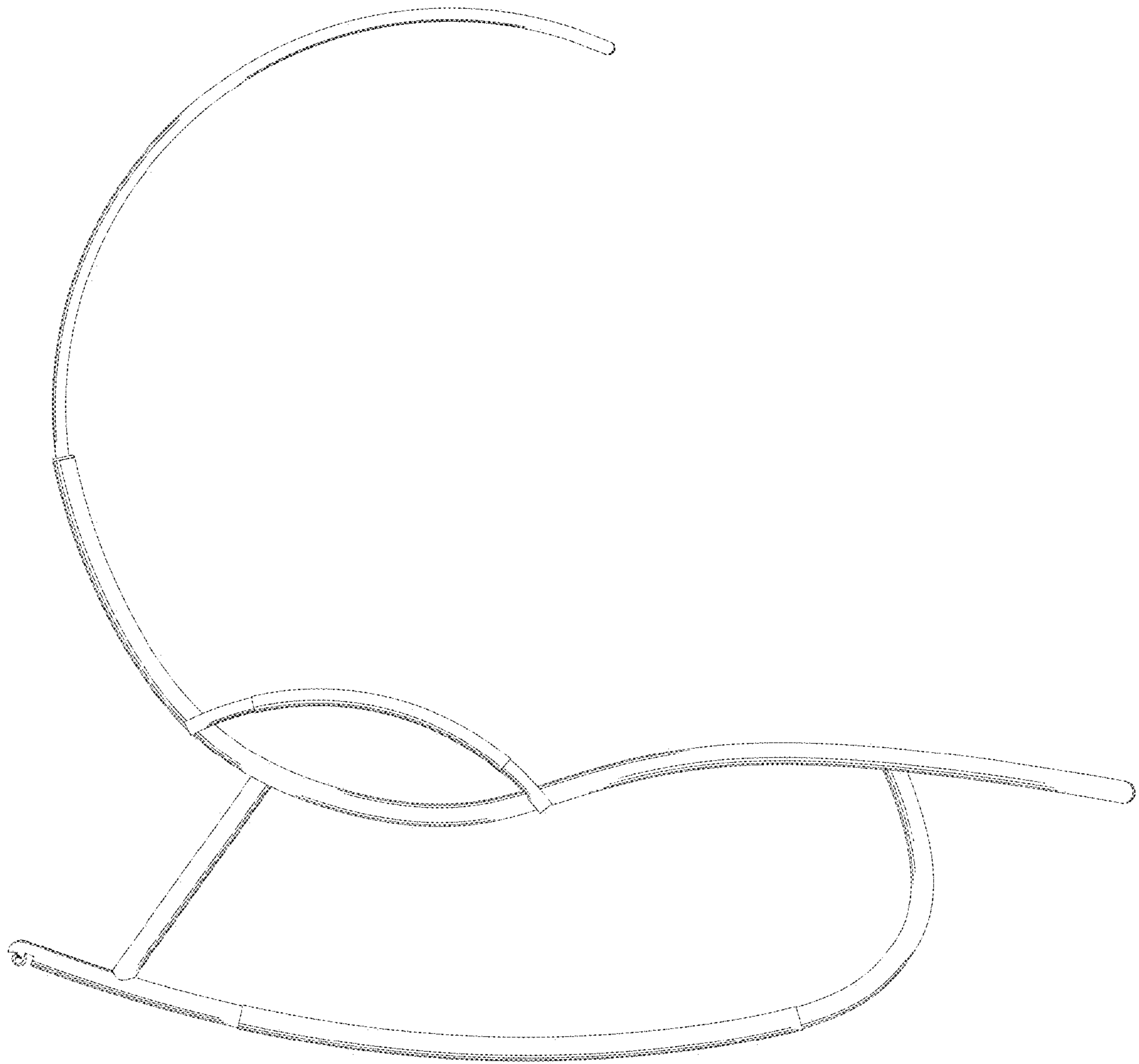


FIG. 3

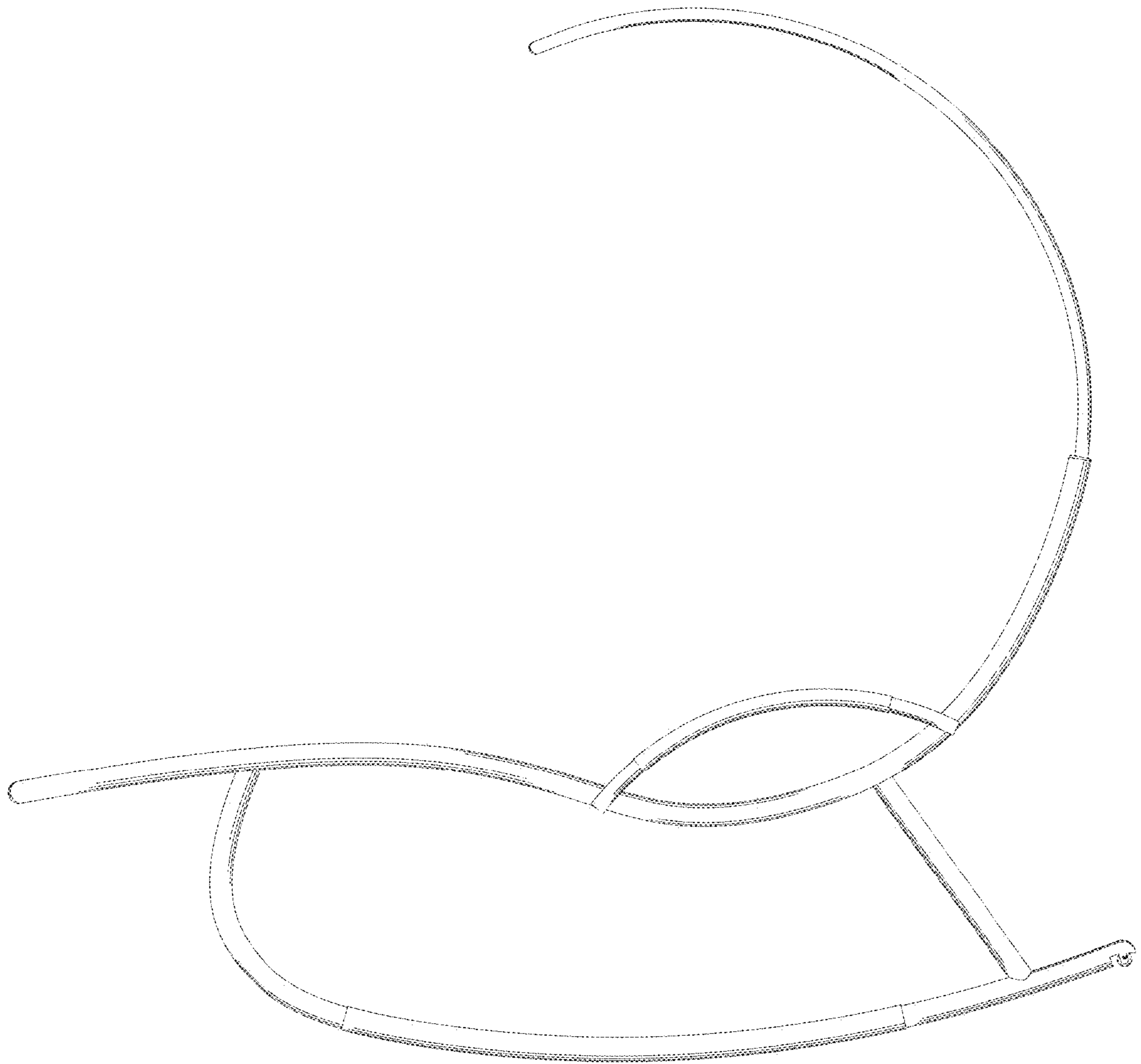


FIG. 4

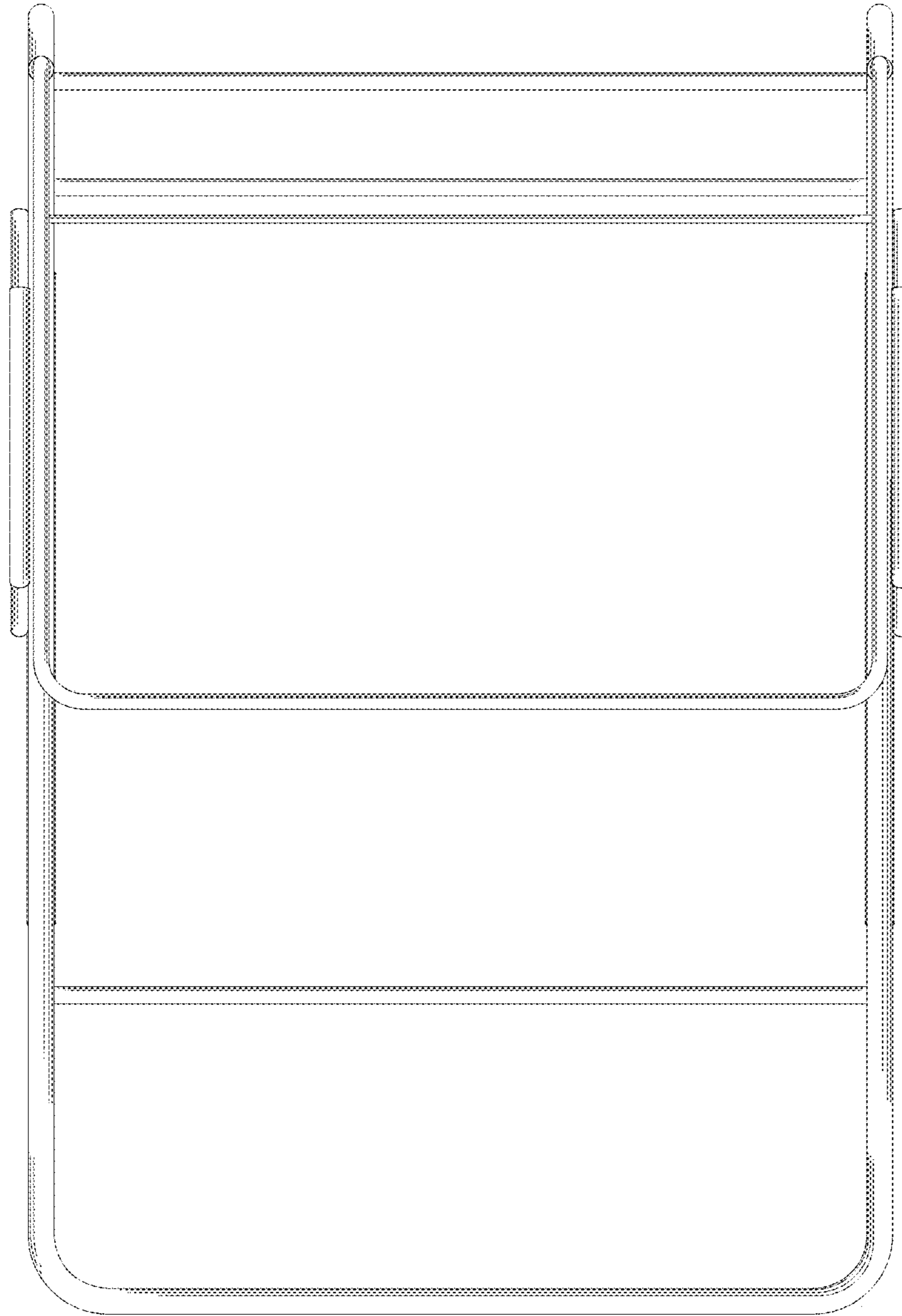


FIG. 5

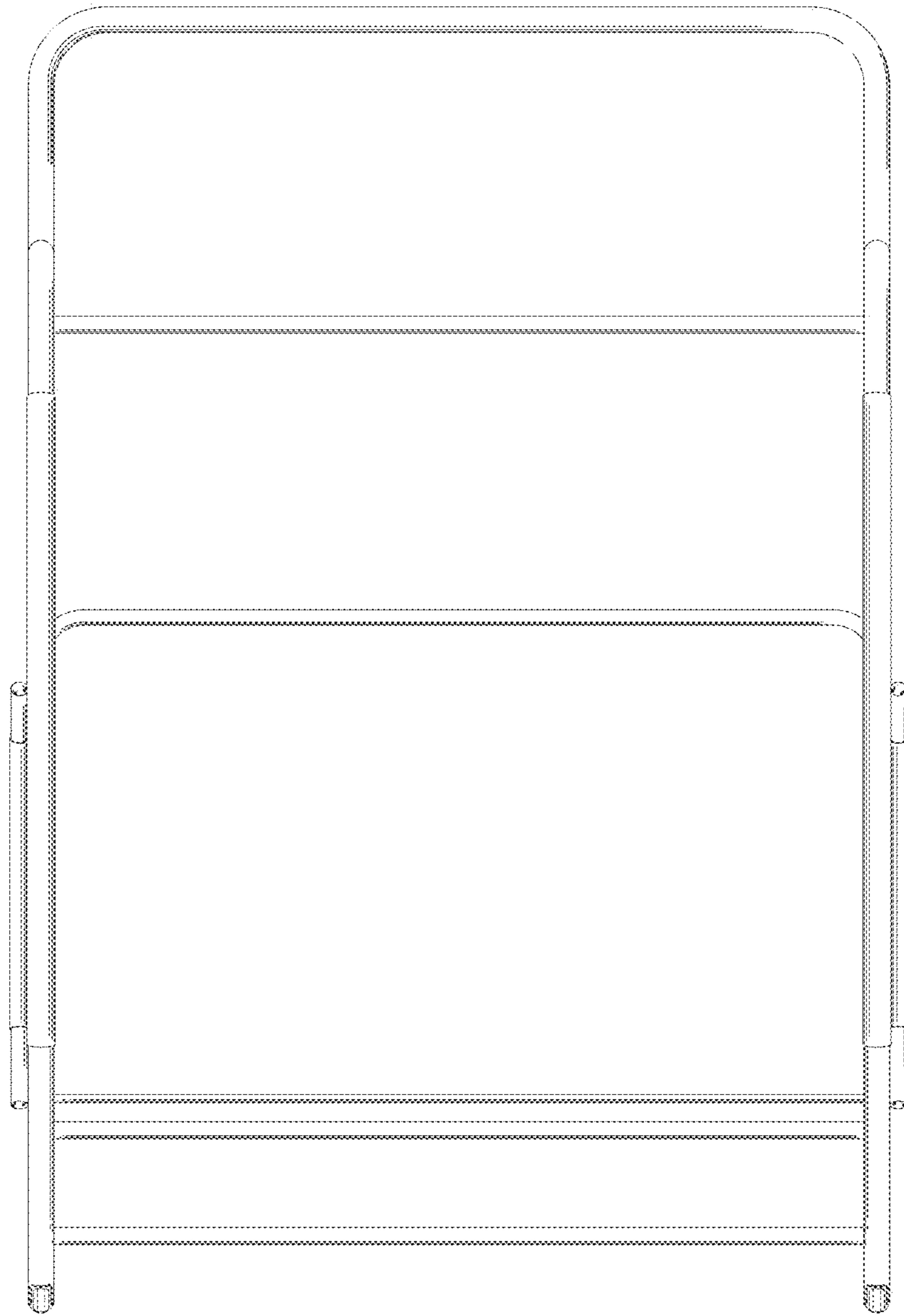


FIG. 6

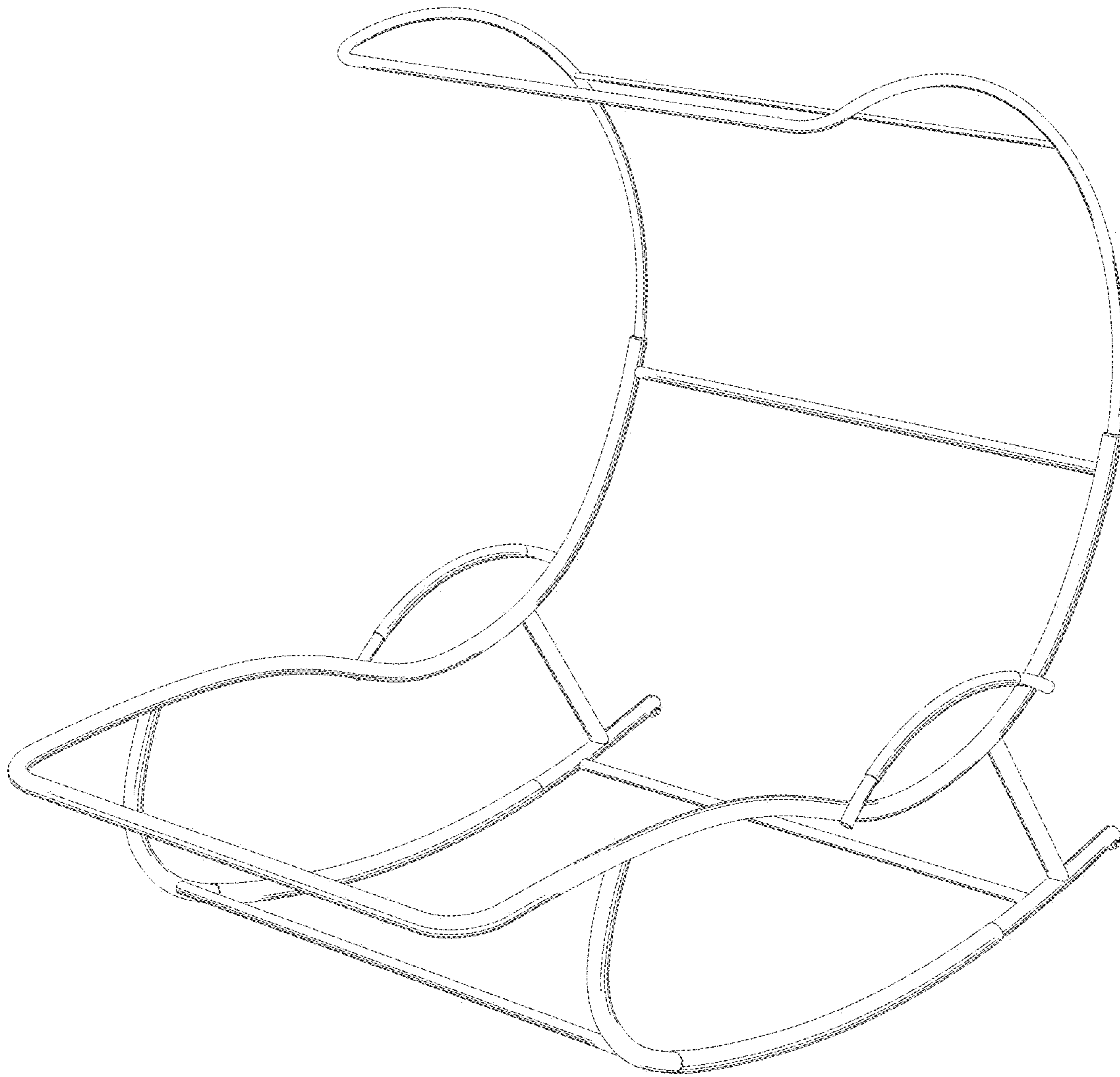


FIG. 7