



US00D871782S

(12) **United States Design Patent**  
**Simone**

(10) **Patent No.:** **US D871,782 S**  
(45) **Date of Patent:** **\*\* Jan. 7, 2020**

(54) **COMBINATION PRIVACY SHIELD AND  
DEVICE FOR DISPLAY, STORAGE, OR  
TRANSPORT OF DRAWN, WRITTEN, OR  
PRINTED MATERIAL**

(71) Applicant: **HAMLA6, LLC**, Powell, OH (US)  
(72) Inventor: **Sherry D. Simone**, Powell, OH (US)  
(73) Assignee: **HAMLA6, LLC**, Powell, OH (US)  
(\*\*) Term: **15 Years**

(21) Appl. No.: **29/627,286**

(22) Filed: **Nov. 25, 2017**

(51) **LOC (12) Cl.** ..... **06-06**

(52) **U.S. Cl.**  
USPC ..... **D6/332; D20/10**

(58) **Field of Classification Search**  
USPC ..... D6/332, 383, 672, 673, 713, 714, 301,  
D6/643; 160/351; D20/10, 21, 27, 44,  
D20/42; D19/59, 62, 64  
CPC ..... A47B 2200/12; A47B 2200/0071; A47B  
2220/13; A47B 83/001; E04B 2/7416;  
E04B 2/7427; A47G 5/00; G09F 1/04;  
G09F 1/06; G09F 1/10; G09F 5/00; G09F  
5/02; G09F 5/042; G09F 15/0056  
See application file for complete search history.

D415,619	S *	10/1999	Gandy	.....	D6/300
6,209,924	B1 *	4/2001	Pyle	.....	B42D 15/042 283/117
D451,958	S *	12/2001	Walch	.....	D19/27
7,225,573	B2 *	6/2007	Shaffer	.....	G09F 1/06 40/124.05
D557,867	S *	12/2007	Northrop	.....	D30/161
D560,072	S *	1/2008	Willis	.....	D6/332
D560,370	S *	1/2008	Schammel	.....	D6/301
D591,794	S *	5/2009	Laass	.....	D19/59
D612,631	S *	3/2010	Pazhoor	.....	D6/643
D616,667	S *	6/2010	Pazhoor	.....	D6/643
D630,443	S *	1/2011	Chandler	.....	D6/302
D653,880	S *	2/2012	Polidoros	.....	D6/713
D705,357	S *	5/2014	Markos	.....	D20/10
9,129,537	B1 *	9/2015	Lorenzini	.....	G09F 1/06
D763,605	S *	8/2016	Bridger	.....	D6/675
9,827,741	B2 *	11/2017	Glinert	.....	B32B 7/12
D817,650	S *	5/2018	Bauer	.....	D6/301
D856,417	S *	8/2019	Thomas	.....	D19/10
2003/0203340	A1 *	10/2003	Kees	.....	G09B 3/02 434/88
2005/0183639	A1 *	8/2005	O'Leary	.....	A47B 83/001 108/60
2006/0162666	A1 *	7/2006	Mitchell	.....	A01K 1/0107 119/168
2007/0011921	A1 *	1/2007	Wheeler	.....	G09F 1/06 40/124.09
2011/0239505	A1 *	10/2011	Fink	.....	G09F 15/0068 40/606.15
2012/0227299	A1 *	9/2012	Bauer	.....	A47G 1/065 40/735
2017/0301269	A1 *	10/2017	Grigsby	.....	G09F 5/02
2018/0225995	A1 *	8/2018	Dashe	.....	G09F 15/0006

(56) **References Cited**

**U.S. PATENT DOCUMENTS**

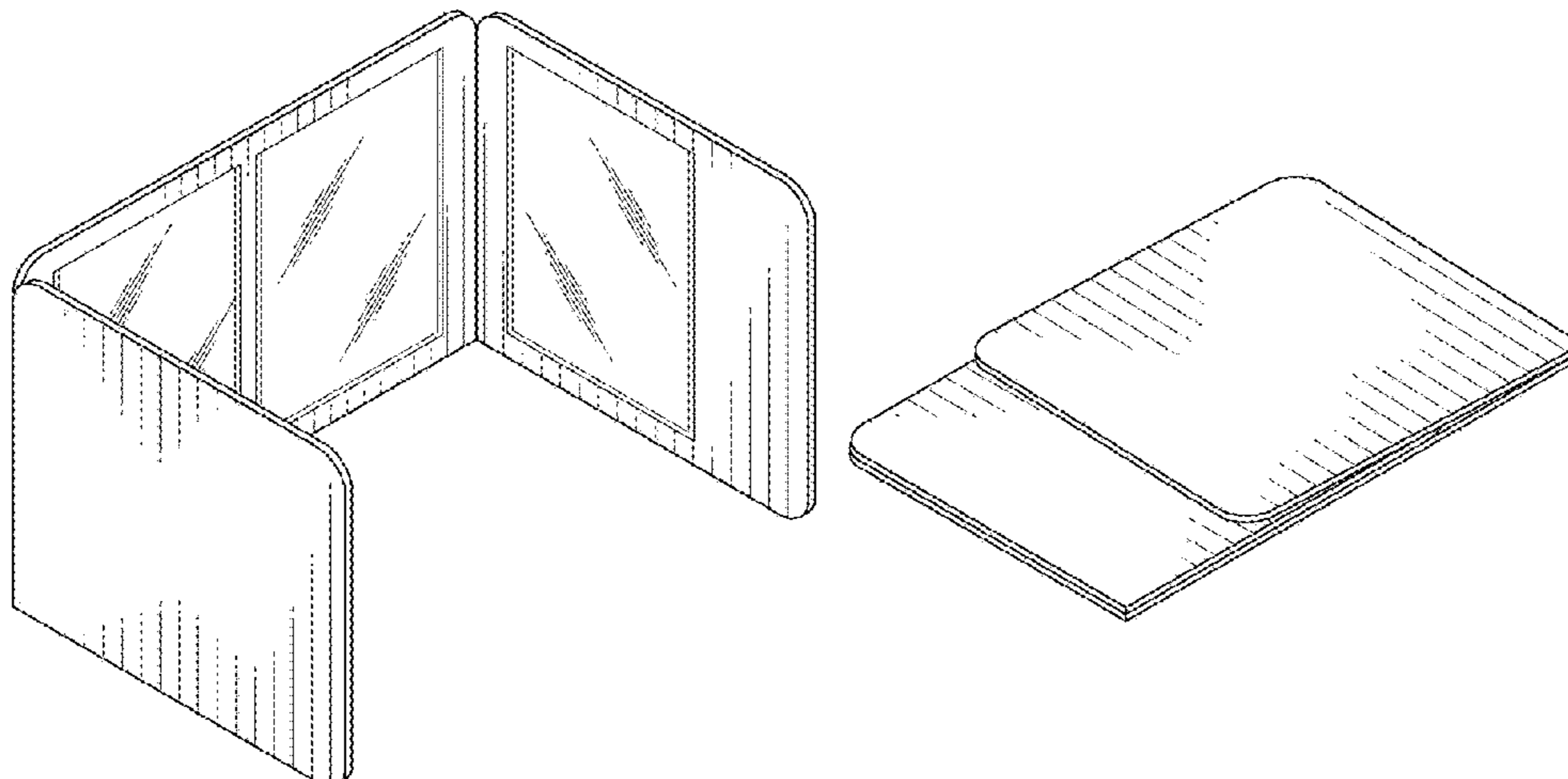
1,342,248	A *	6/1920	Bloomquist	.....	B42F 5/06 40/778
D235,954	S *	7/1975	Holland	.....	D6/643
D261,585	S *	11/1981	Smith	.....	D6/302
D261,970	S *	11/1981	Alexandris	.....	D6/302
D266,134	S *	9/1982	Smith	.....	D6/302
D352,140	S *	11/1994	Easton	.....	D23/406
D357,707	S *	4/1995	Moore	.....	D20/10
D367,964	S *	3/1996	Baker	.....	D6/302
D386,793	S *	11/1997	Haas	.....	D20/22
D394,675	S *	5/1998	Haas	.....	D20/27
5,890,782	A *	4/1999	Alberts	.....	A47B 17/00 108/27

**OTHER PUBLICATIONS**

Deluxe Privacy Shield (on-line), dated May 16, 2016. Retrieved from Internet Apr. 12, 2019, URL: <https://web.archive.org/web/20160516180545/https://www.reallygoodstuff.com/deluxe-privacy-shield/p/158073/tab/k8/> (1 page) (Year: 2016).\*

Dry Erase Magnetic Classroom Display Board (on-line), dated Aug. 18, 2017. Retrieved from Internet Apr. 12, 2019, URL: <https://web.archive.org/web/20170818201108/https://www.orientaltrading.com/dry-erase-magnetic-classroom-display-board-a2-13758195.fltr?categoryId=551443> (1 page) (Year: 2017).\*

Elmer's 36x48 Trifold Corrugate Project Display Board (on-line), dated Nov. 29, 2014. Retrieved from Internet Apr. 12, 2019, URL: <https://web.archive.org/web/20141129042440/https://www.target.com/p/elmer-s-36x48-trifold-corrugate-project-display-board/-/A-15058099> (1 page) (Year: 2014).\*



Really Good Stuff LLC; privacy shield work office: <https://www.reallygoodstuff.com/privacy-shield-work-office/p/165129/> (to inventor's knowledge Not available for purchase prior to Nov. 25, 2017). Really Good Stuff LLC; Math and Reading Center Work Office Kit; <https://www.reallygoodstuff.com/math-and-reading-center-work-office-kit-grade-1/p/165106> (to inventor's knowledge Not available for purchase prior to Nov. 25, 2017).

Simone, Sherry D., co-owned U.S. Appl. No. 16/195,789, filed Nov. 19, 2018.

Really Good Stuff LLC; desktop privacy shields (available for purchase prior to Nov. 25, 2017) <https://www.reallygoodstuff.com/really-good-stuff-privacy-shields-single-color-high-gloss/p/163235/>.

Really Good Stuff LLC; printed desktop privacy shields (available for purchase prior to Nov. 25, 2017) <https://www.reallygoodstuff.com/work-offices-for-third-grade/p/163275/>.

\* cited by examiner

*Primary Examiner* — Kevin K Rudzinski

*Assistant Examiner* — Kimberly Barnes

(74) *Attorney, Agent, or Firm* — David S. Alavi

(57) **CLAIM**

The ornamental design for a combination privacy shield and device for display, storage, or transport of drawn, written, or printed material, as shown and described.

**DESCRIPTION**

FIG. 1 is a perspective view of a combination privacy shield and device for display, storage, or transport of drawn, written, or printed material showing my new design in a position of use as a display device.

FIG. 2 is a front view thereof.

FIG. 3 is a back view thereof.

FIG. 4 is a top view thereof.

FIG. 5 is a bottom view thereof.

FIG. 6 is a left side view thereof.

FIG. 7 is a right side view thereof.

FIG. 8 is a cross-sectional view taken along line 8-8 in FIG. 2.

FIG. 9 is a cross-sectional view taken along line 9-9 in FIG. 3.

FIG. 10 is a perspective view of the combination privacy shield and device for display, storage, or transport of drawn, written, or printed material in a closed, folded arrangement.

FIG. 11 is a perspective view of the combination privacy shield and device for display, storage, or transport of drawn, written, or printed material in a position of use as a display device.

FIG. 12 is a perspective view of the combination privacy shield and device for display, storage, or transport of drawn, written, or printed material in an open, flat arrangement.

FIGS. 13 and 14 are perspective views of the combination privacy shield and device for display, storage, or transport of drawn, written, or printed material in an open, flat arrangement showing a handle. The broken lines depict portions of the combination privacy shield and device for display, storage, or transport of drawn, written, or printed material that form no part of the claimed design.

FIG. 15 is a perspective view of the combination privacy shield and device for display, storage, or transport of drawn, written, or printed material in a closed, folded arrangement showing a closure member. The broken lines depict portions of the combination privacy shield and device for display, storage, or transport of drawn, written, or printed material that form no part of the claimed design.

FIG. 16 is another cross-sectional view of FIG. 9, showing sheets displayed in display pockets. The broken lines in the drawings depicting sheets represent environmental subject matter that forms no part of the claimed design.

FIG. 17 is another front view of FIG. 2, showing sheets displayed in the display pockets. The broken lines in the drawings depicting sheets represent environmental subject matter that forms no part of the claimed design.

FIG. 18 is another cross-sectional view of FIG. 8, showing sheets displayed in the display pockets. The broken lines in the drawings depicting sheets represent environmental subject matter that forms no part of the claimed design.

FIGS. 19, 20, and 21 are front views of alternate designs of a middle panel of the design shown in FIGS. 1-12.

FIGS. 22, 23, and 24 are cross-sectional views, taken along line 8-8 in FIG. 2, of alternate designs of a right panel of the design shown in FIGS. 1-12; and,

FIGS. 25, 26, and 27 are cross-sectional views, taken along line 9-9 in FIG. 3, of alternate designs of a left panel of the design shown in FIGS. 1-12.

A first embodiment of the claimed design, or a mirror image thereof, includes the middle panel of FIG. 2, the left panel of FIG. 9, and the right panel of FIG. 8.

A second embodiment of the claimed design, or a mirror image thereof, includes the middle panel of FIG. 2, the left panel of FIG. 9, and the right panel of FIG. 22.

A third embodiment of the claimed design, or a mirror image thereof, includes the middle panel of FIG. 2, the left panel of FIG. 9, and the right panel of FIG. 23.

A fourth embodiment of the claimed design, or a mirror image thereof, includes the middle panel of FIG. 2, the left panel of FIG. 9, and the right panel of FIG. 24.

A fifth embodiment of the claimed design, or a mirror image thereof, includes the middle panel of FIG. 2, the left panel of FIG. 25, and the right panel of FIG. 8.

A sixth embodiment of the claimed design, or a mirror image thereof, includes the middle panel of FIG. 2, the left panel of FIG. 25, and the right panel of FIG. 22.

A seventh embodiment of the claimed design, or a mirror image thereof, includes the middle panel of FIG. 2, the left panel of FIG. 25, and the right panel of FIG. 23.

An eighth embodiment of the claimed design, or a mirror image thereof, includes the middle panel of FIG. 2, the left panel of FIG. 25, and the right panel of FIG. 24.

A ninth embodiment of the claimed design, or a mirror image thereof, includes the middle panel of FIG. 2, the left panel of FIG. 26, and the right panel of FIG. 8.

A tenth embodiment of the claimed design, or a mirror image thereof, includes the middle panel of FIG. 2, the left panel of FIG. 26, and the right panel of FIG. 22.

An eleventh embodiment of the claimed design, or a mirror image thereof, includes the middle panel of FIG. 2, the left panel of FIG. 26, and the right panel of FIG. 23.

A twelfth embodiment of the claimed design, or a mirror image thereof, includes the middle panel of FIG. 2, the left panel of FIG. 26, and the right panel of FIG. 24.

A thirteenth embodiment of the claimed design, or a mirror image thereof, includes the middle panel of FIG. 2, the left panel of FIG. 27, and the right panel of FIG. 8.

A fourteenth embodiment of the claimed design, or a mirror image thereof, includes the middle panel of FIG. 2, the left panel of FIG. 27, and the right panel of FIG. 22.

A fifteenth embodiment of the claimed design, or a mirror image thereof, includes the middle panel of FIG. 2, the left panel of FIG. 27, and the right panel of FIG. 23.



A fifty-eighth embodiment of the claimed design, or a mirror image thereof, includes the middle panel of FIG. 21, the left panel of FIG. 26, and the right panel of FIG. 22.

A fifty-ninth embodiment of the claimed design, or a mirror image thereof, includes the middle panel of FIG. 21, the left panel of FIG. 26, and the right panel of FIG. 23.

A sixtieth embodiment of the claimed design, or a mirror image thereof, includes the middle panel of FIG. 21, the left panel of FIG. 26, and the right panel of FIG. 24.

A sixty-first embodiment of the claimed design, or a mirror image thereof, includes the middle panel of FIG. 21, the left panel of FIG. 27, and the right panel of FIG. 8.

A sixty-second embodiment of the claimed design, or a mirror image thereof, includes the middle panel of FIG. 21, the left panel of FIG. 27, and the right panel of FIG. 22.

A sixty-third embodiment of the claimed design, or a mirror image thereof, includes the middle panel of FIG. 21, the left panel of FIG. 27, and the right panel of FIG. 23.

A sixty-fourth embodiment of the claimed design, or a mirror image thereof, includes the middle panel of FIG. 21, the left panel of FIG. 27, and the right panel of FIG. 24.

**1 Claim, 12 Drawing Sheets**

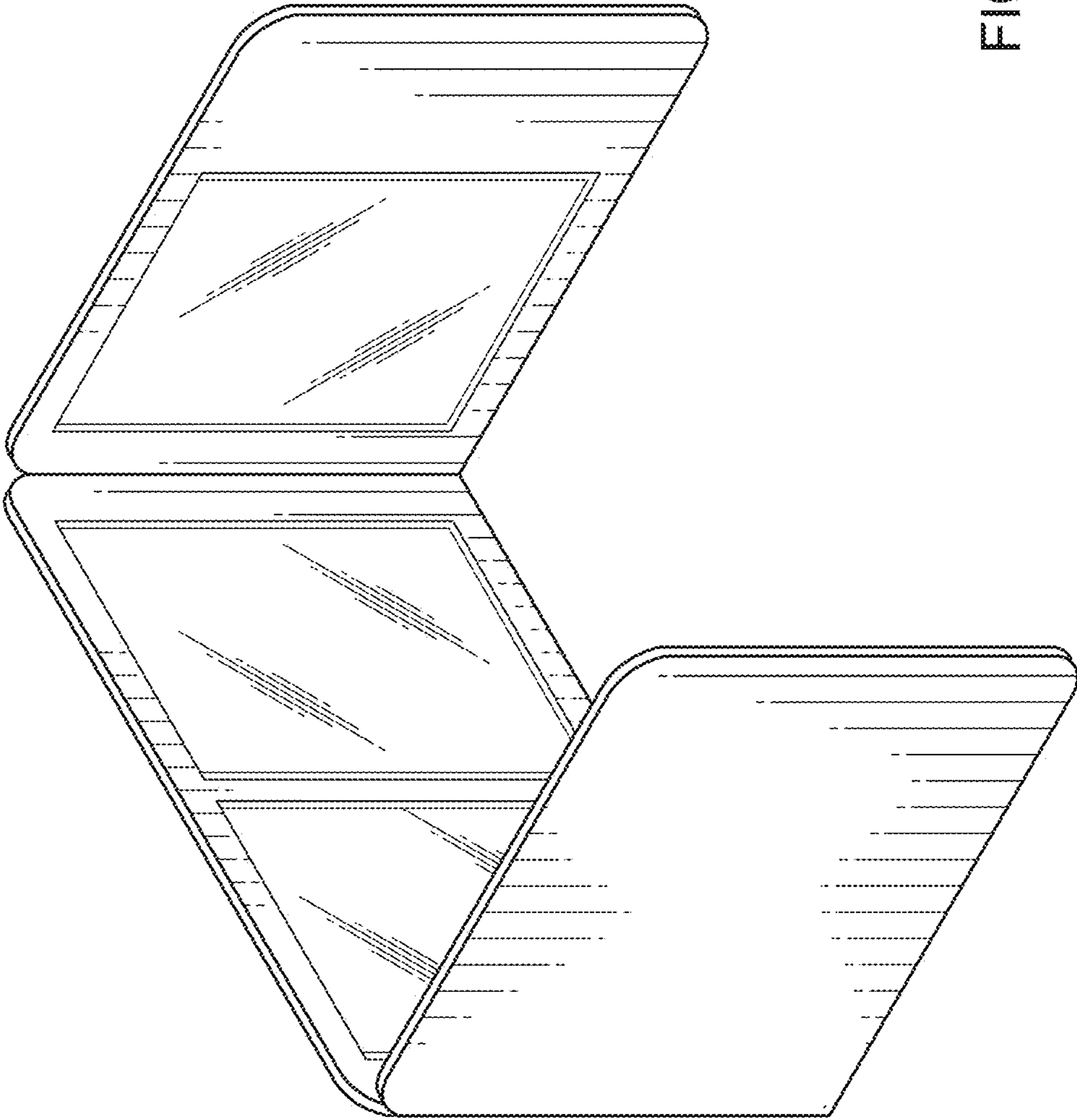
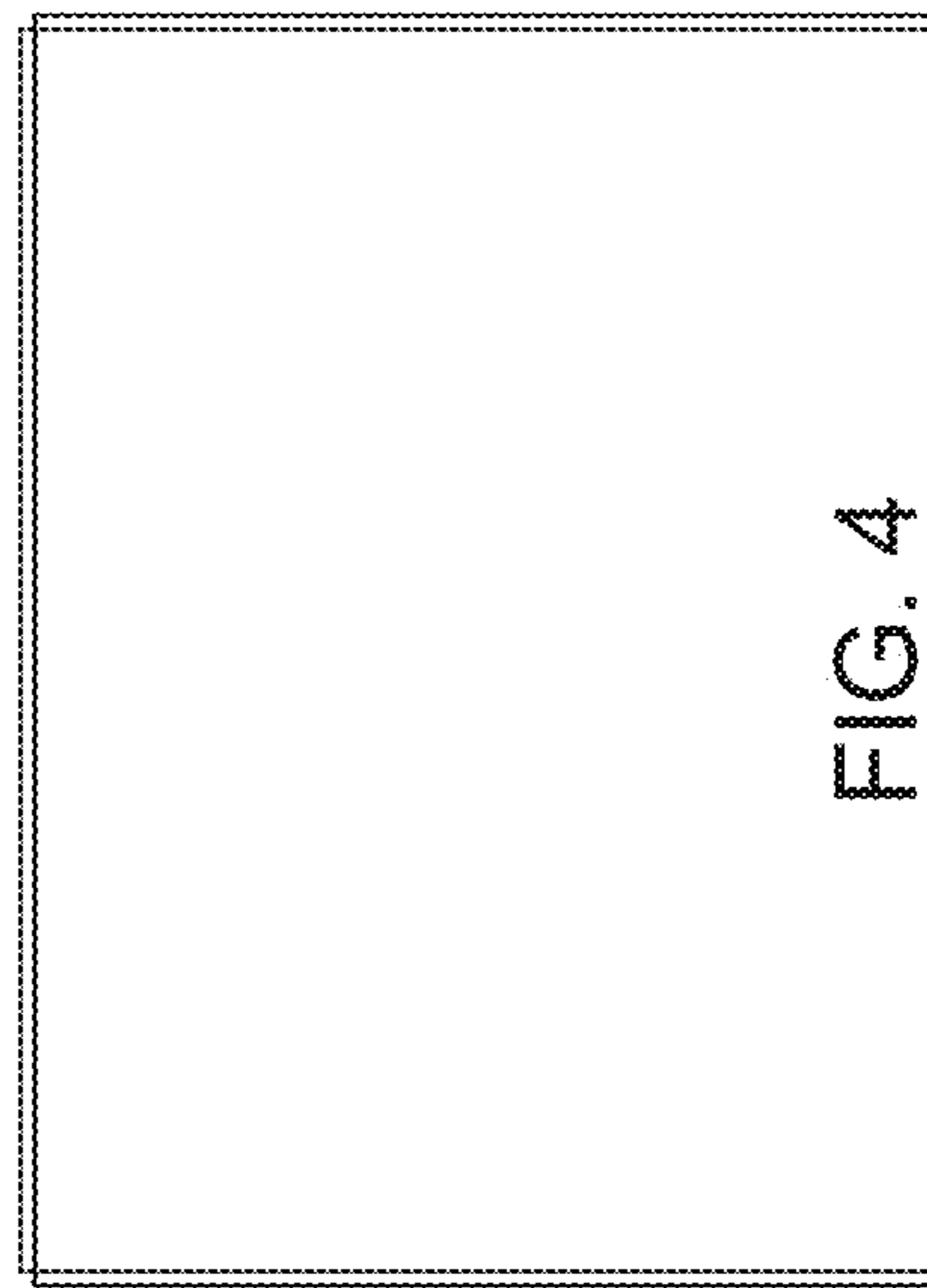
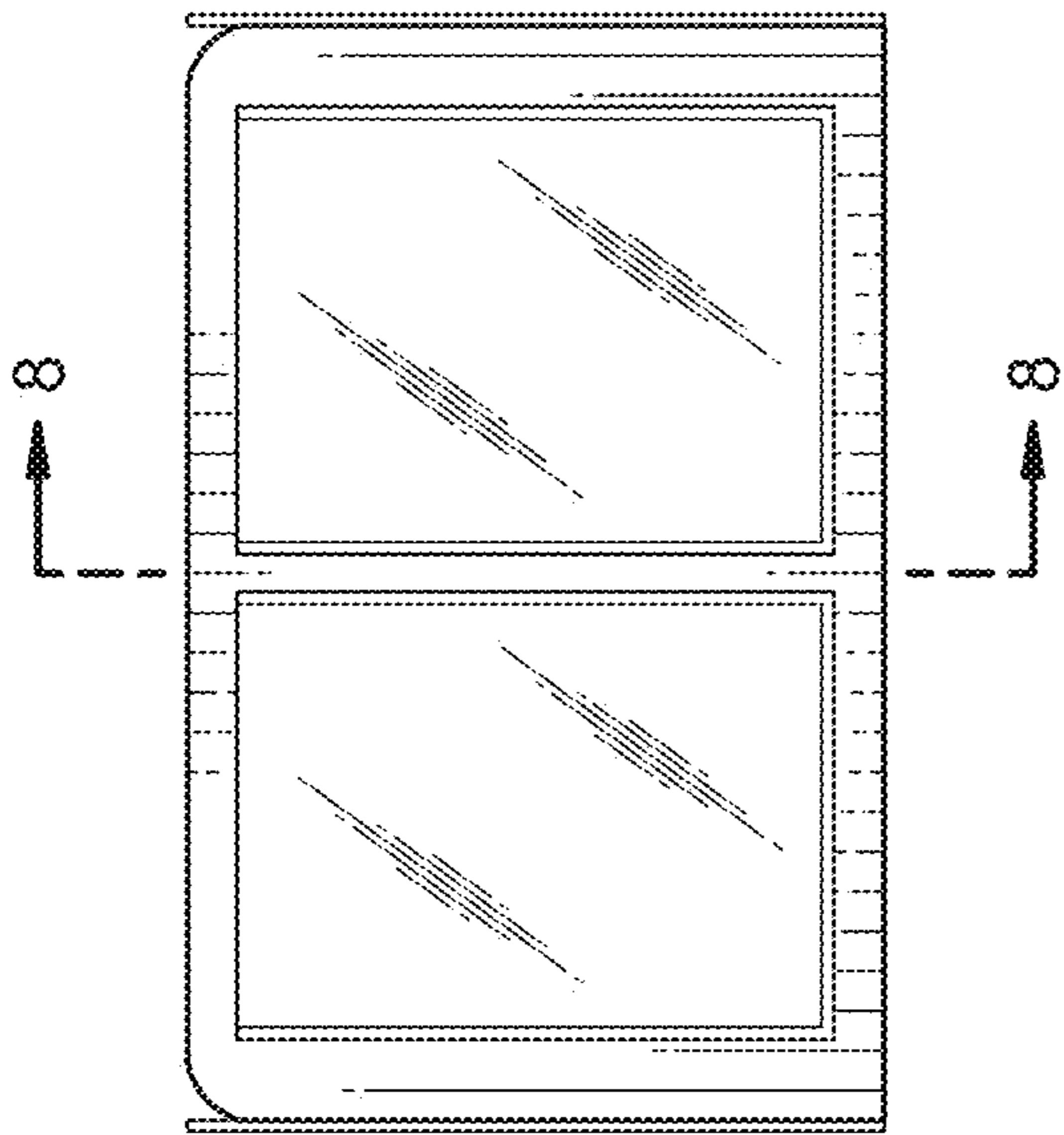
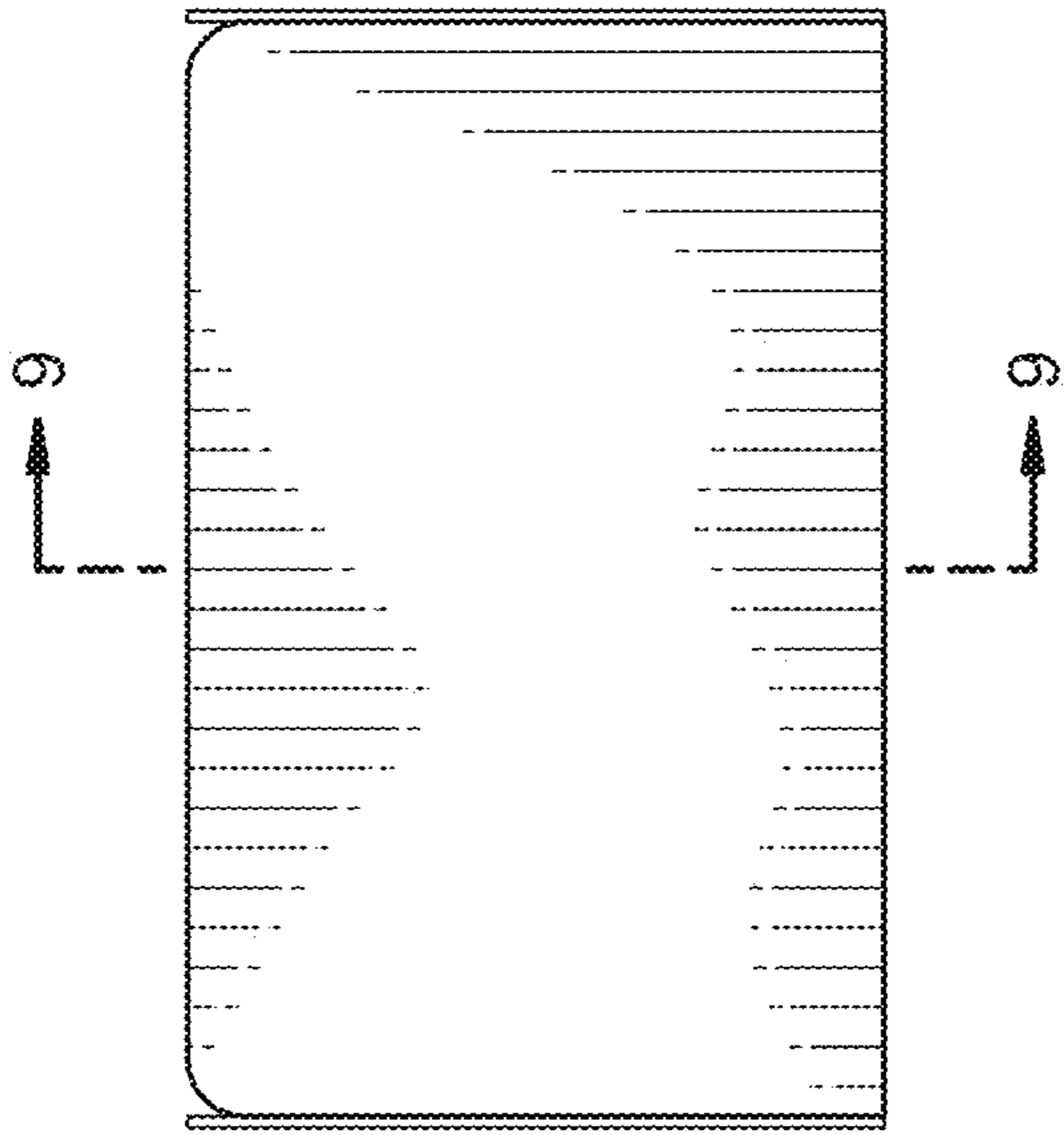


FIG. 1



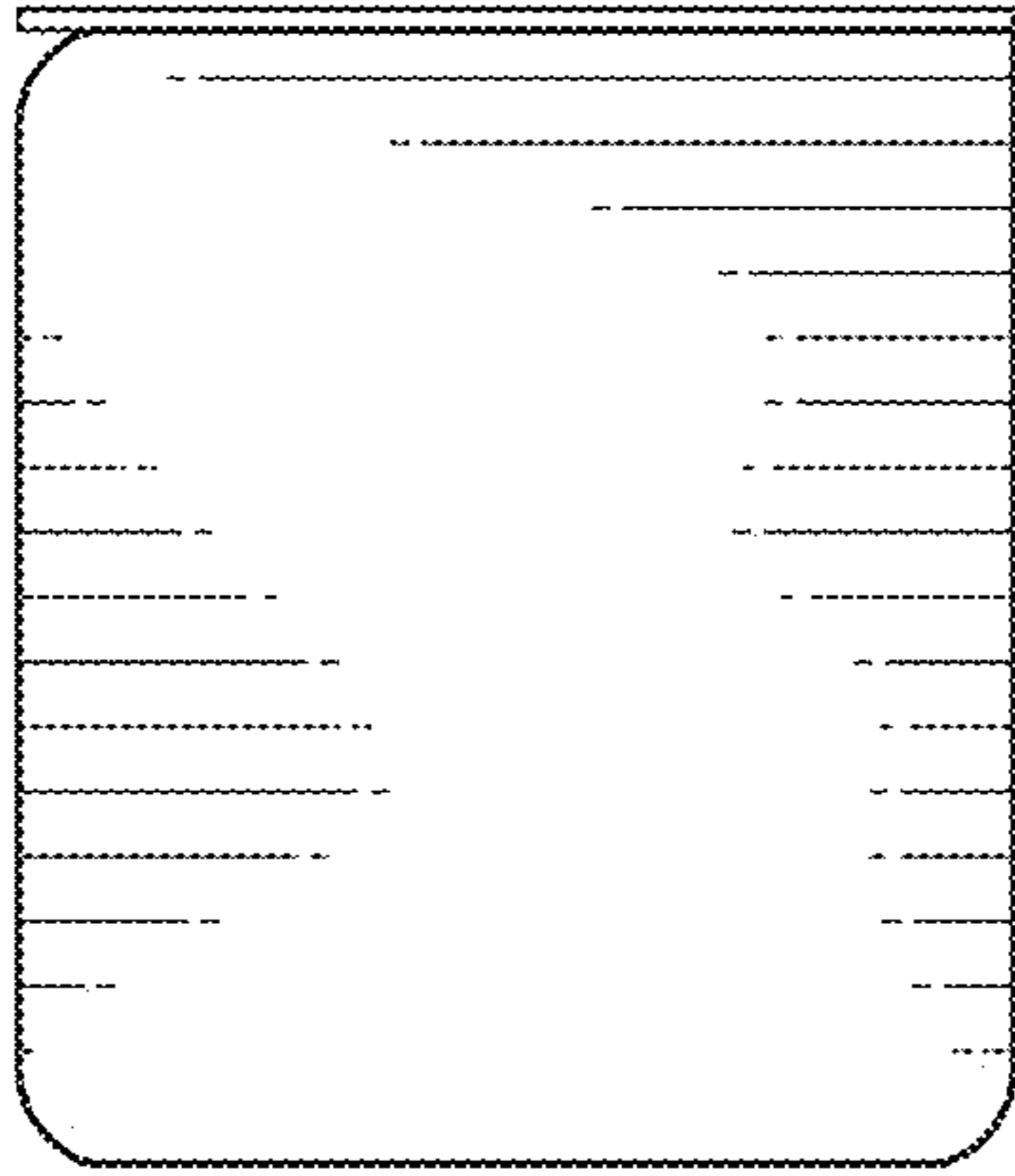


FIG. 6

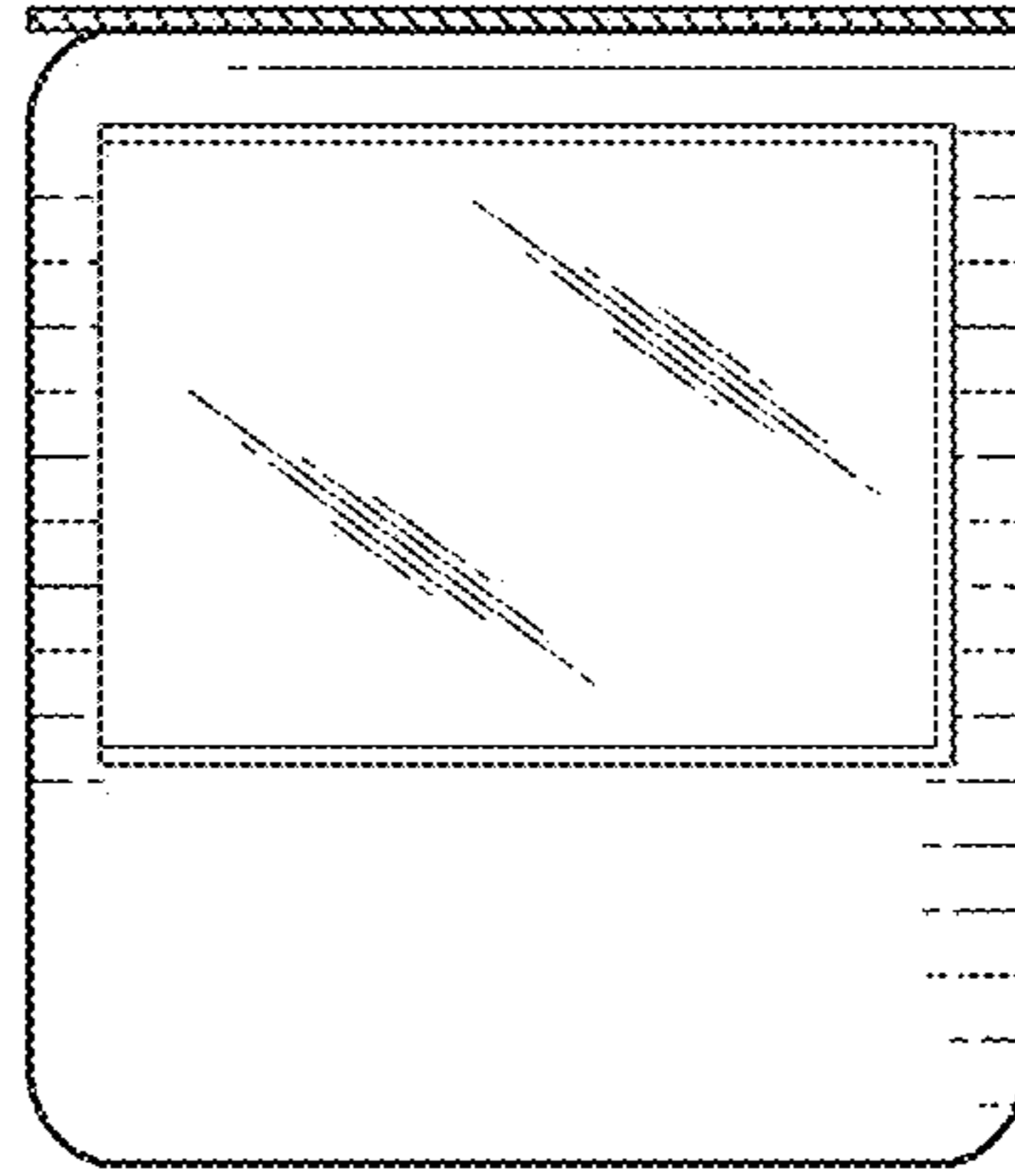


FIG. 7

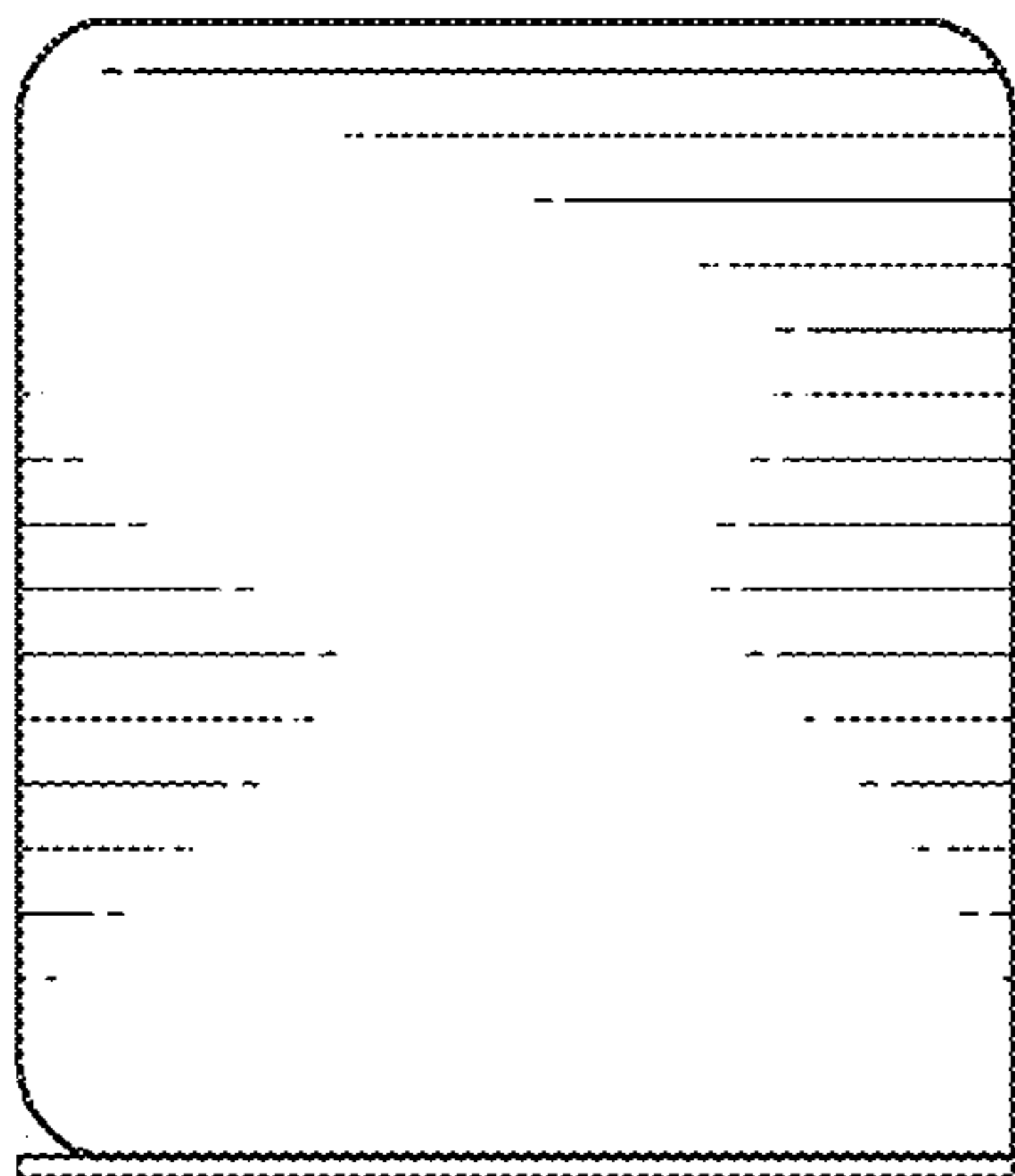


FIG. 8

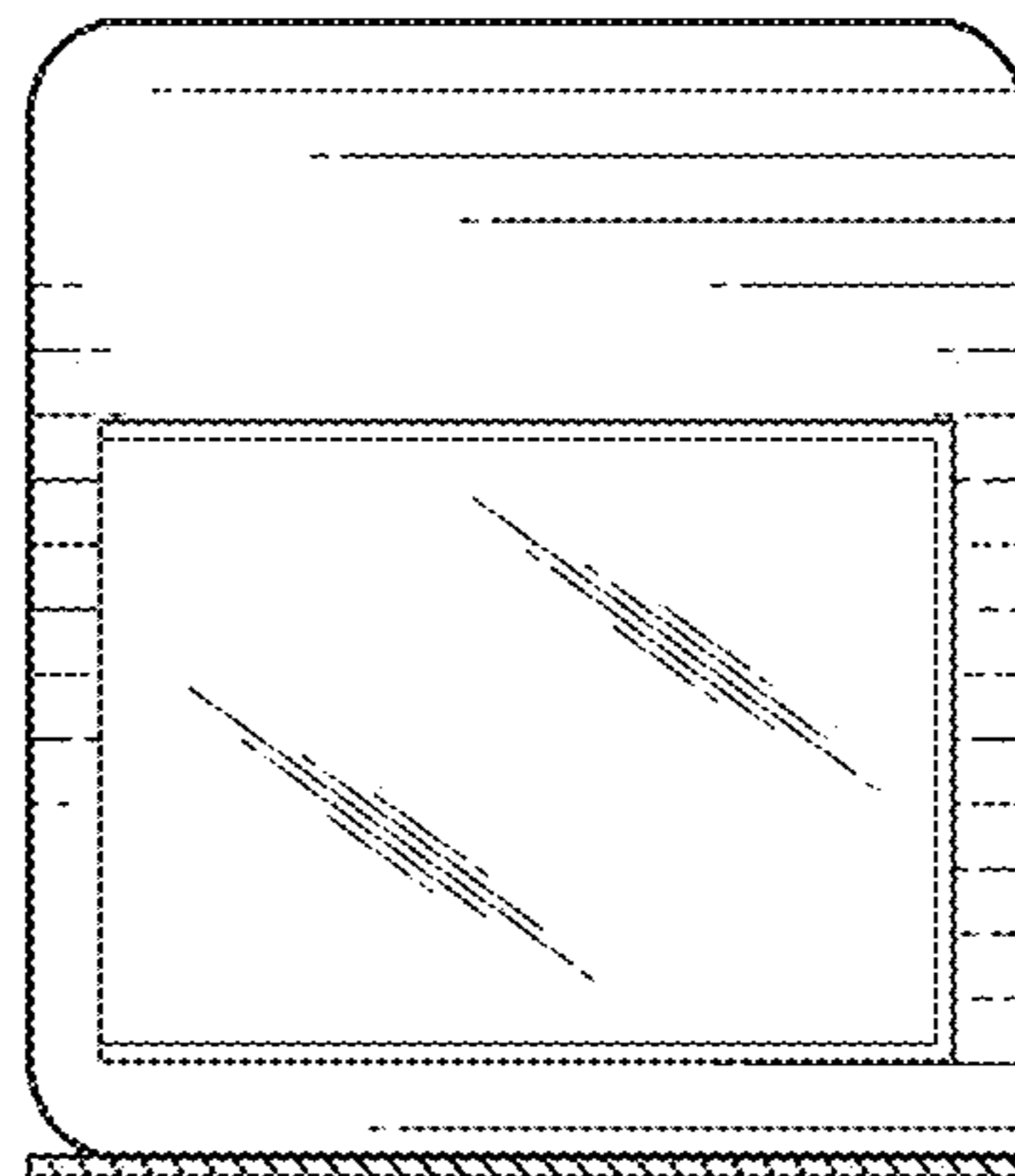


FIG. 9

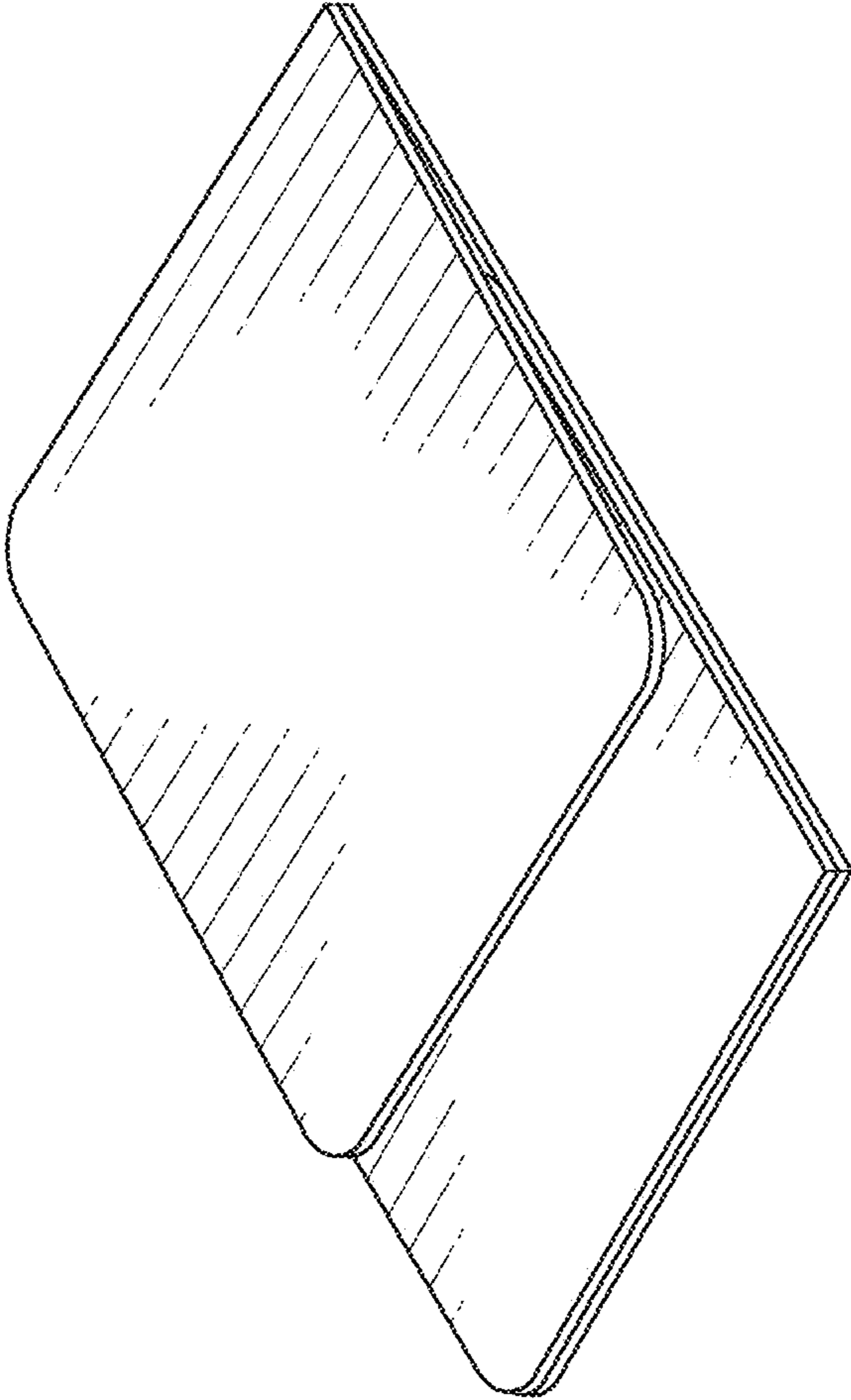


FIG. 10



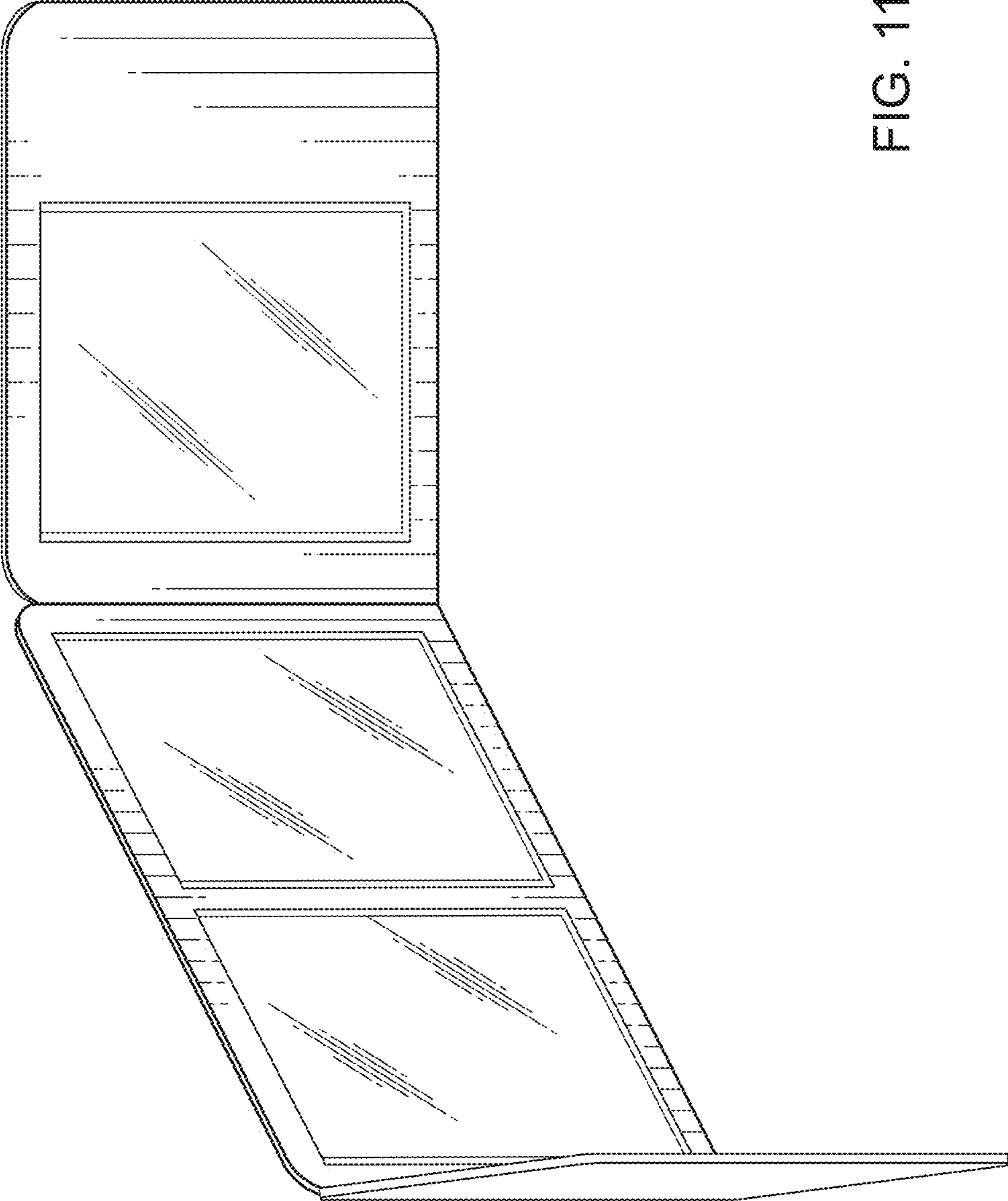


FIG. 11

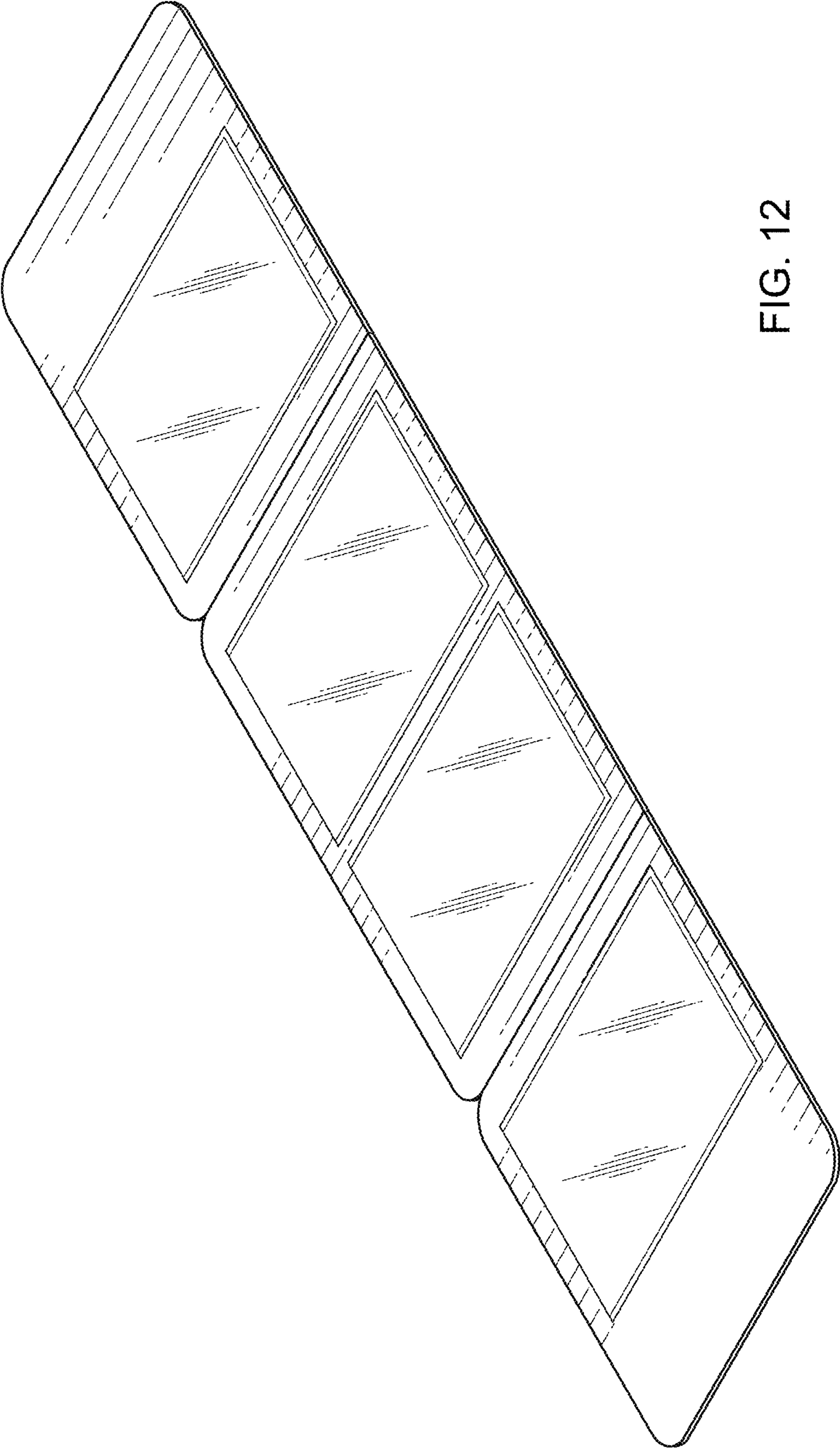


FIG. 12

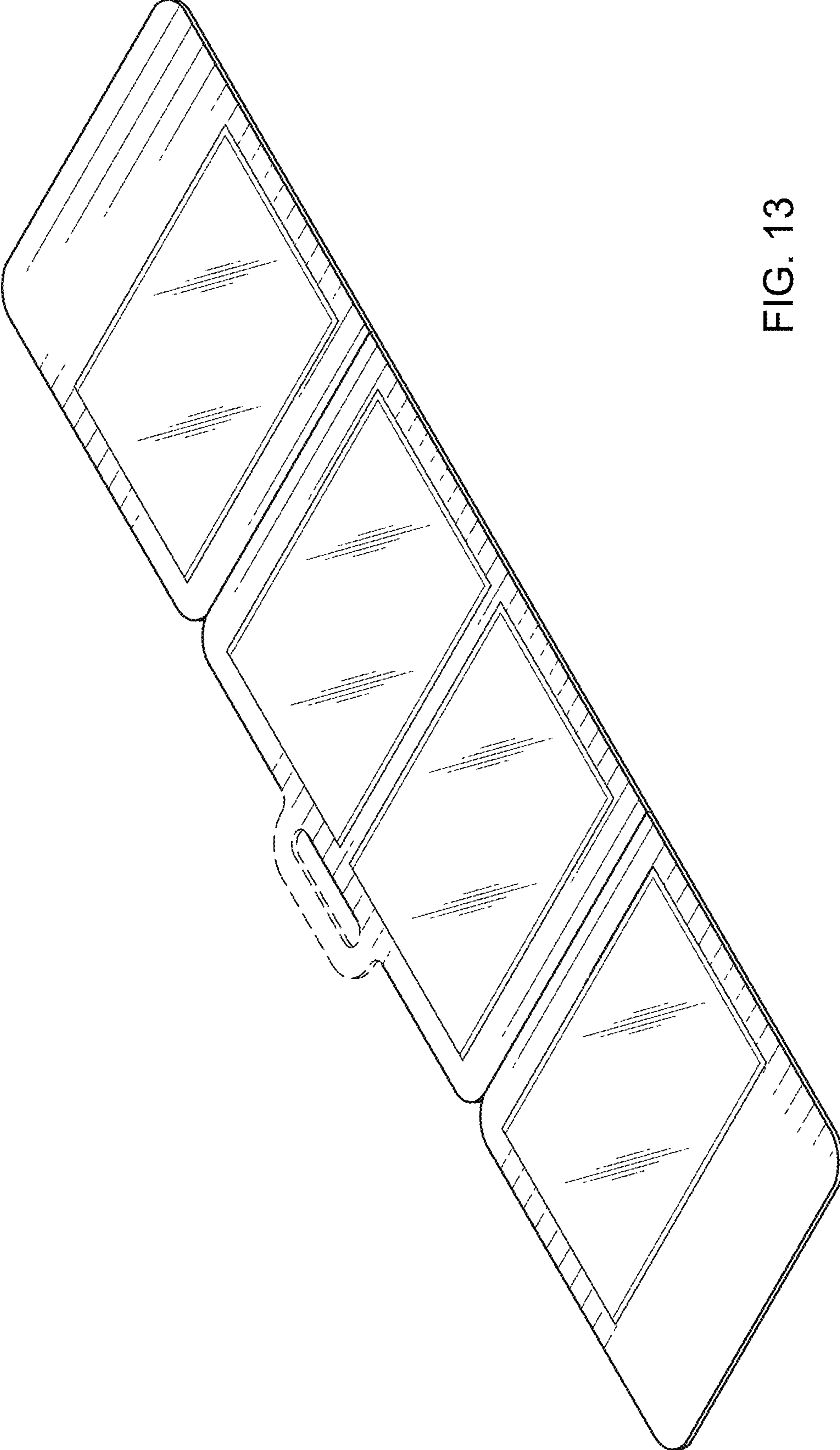


FIG. 13

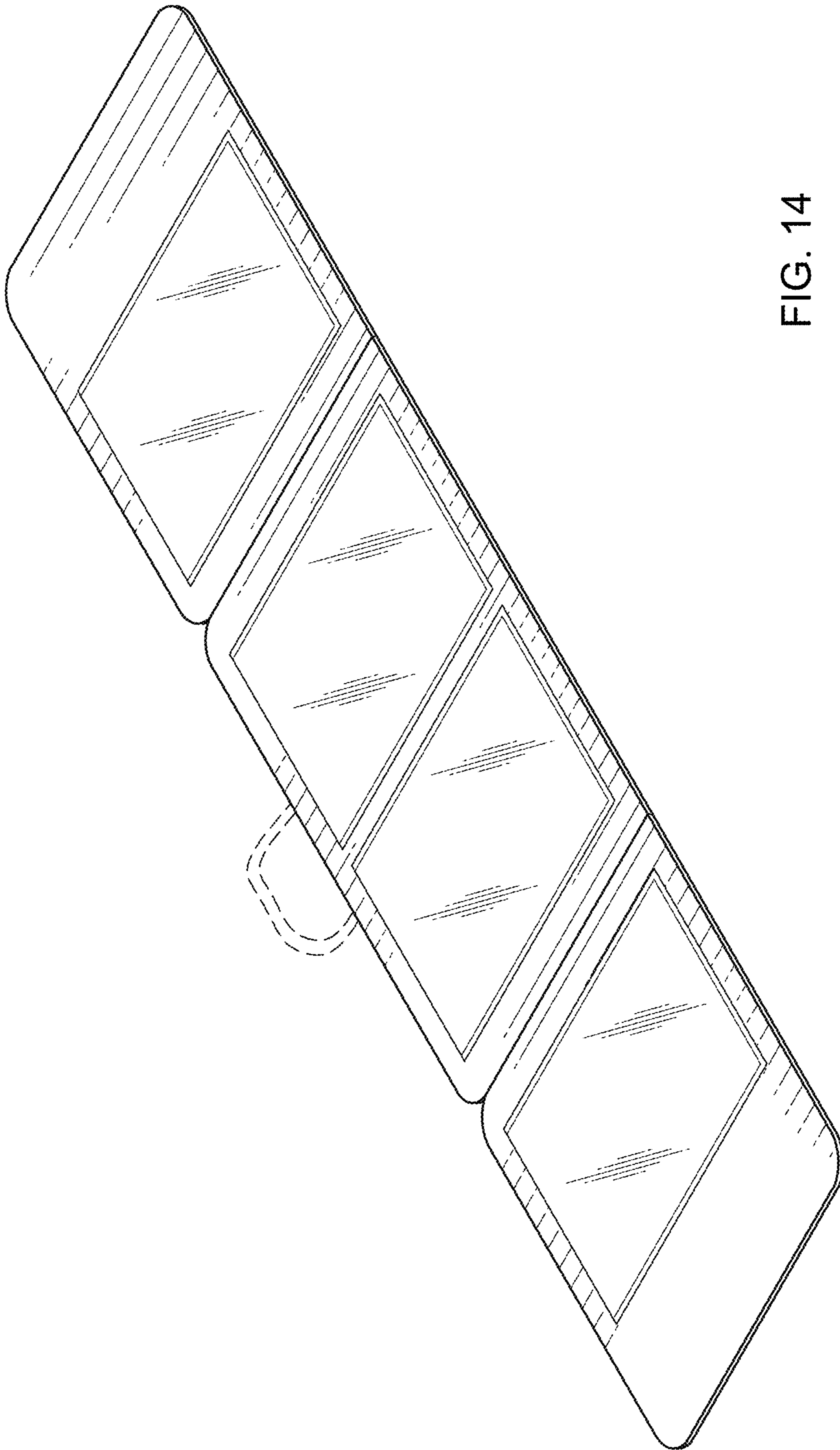


FIG. 14

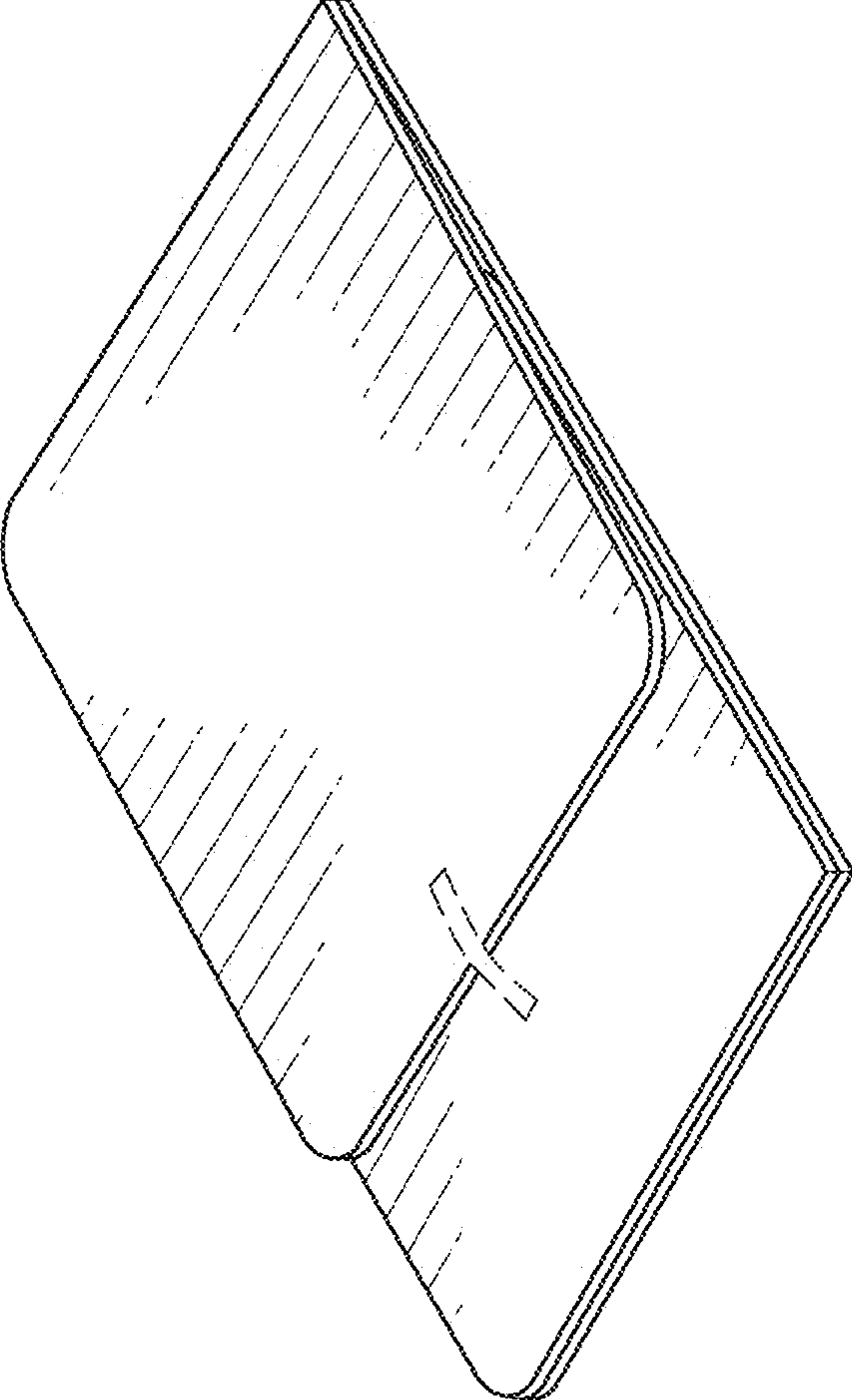


FIG. 15

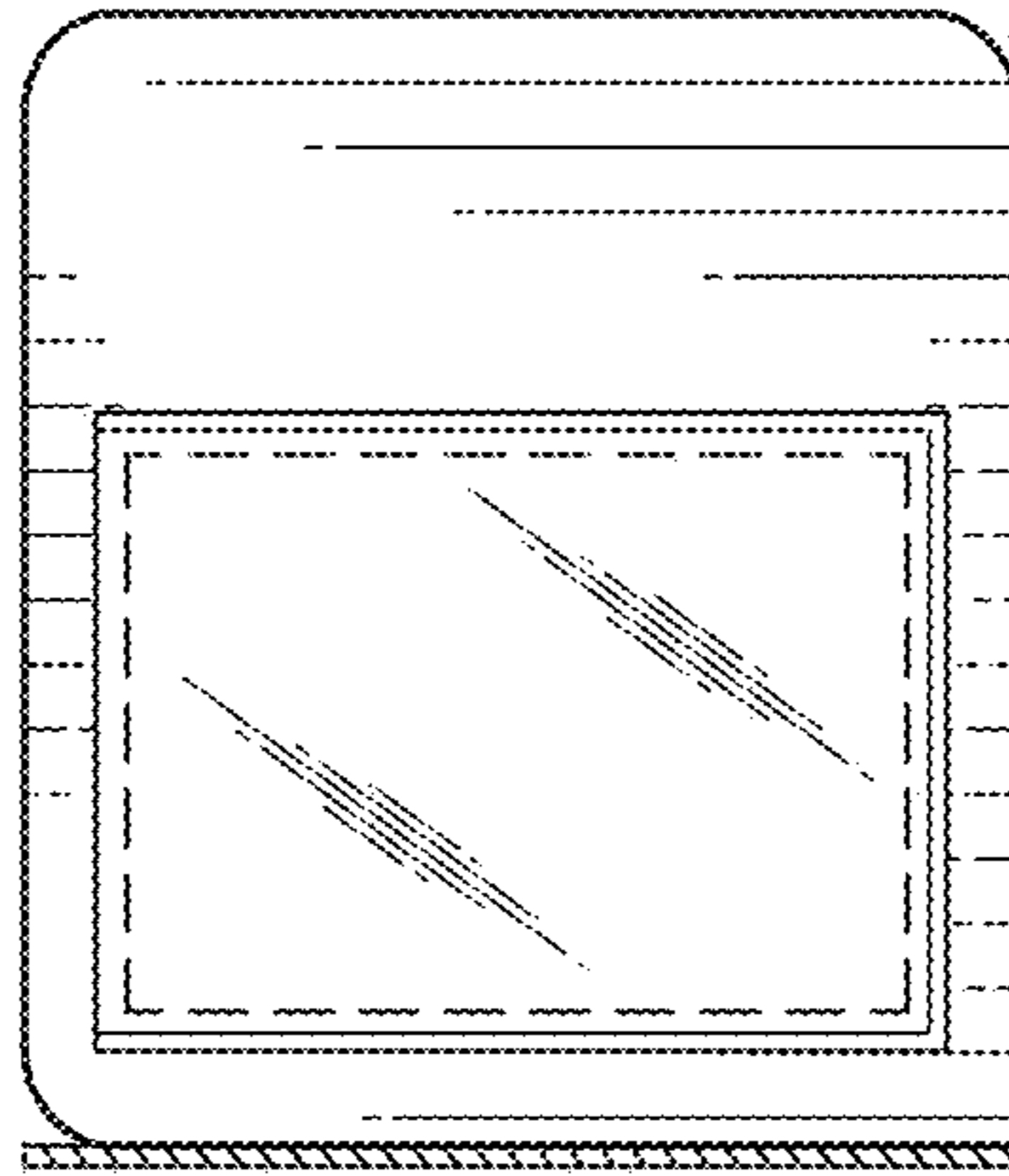


FIG. 16

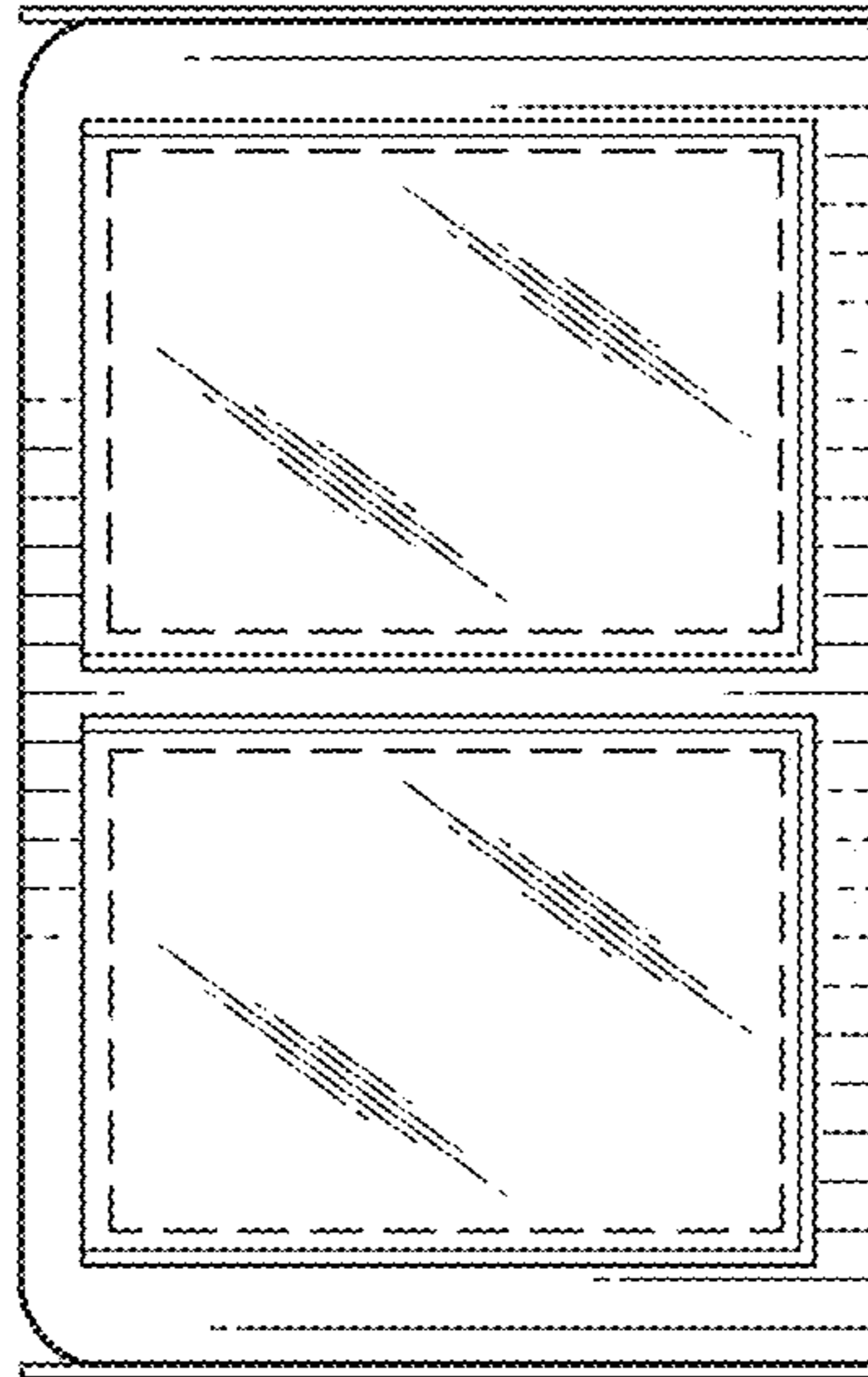


FIG. 17

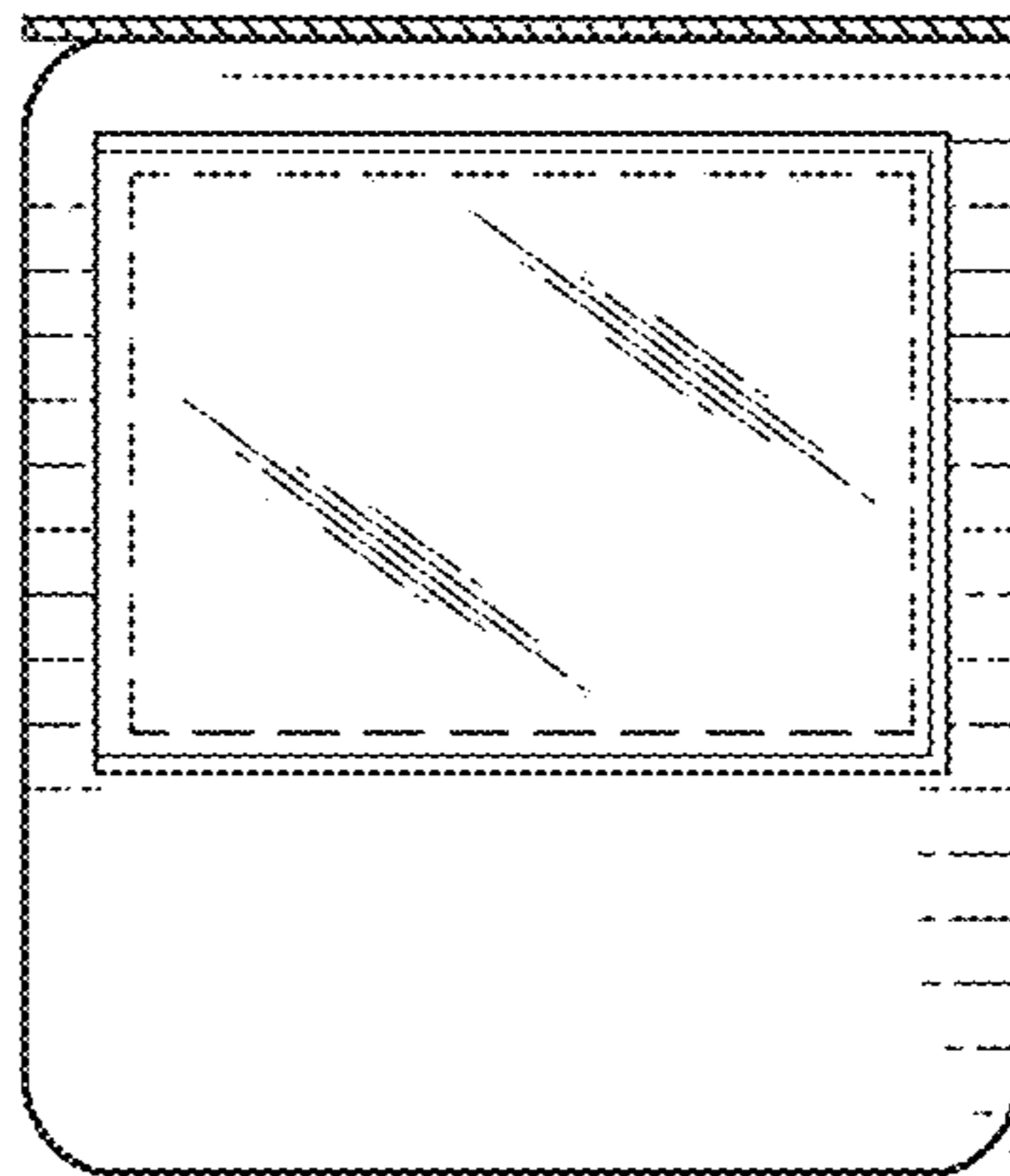


FIG. 18

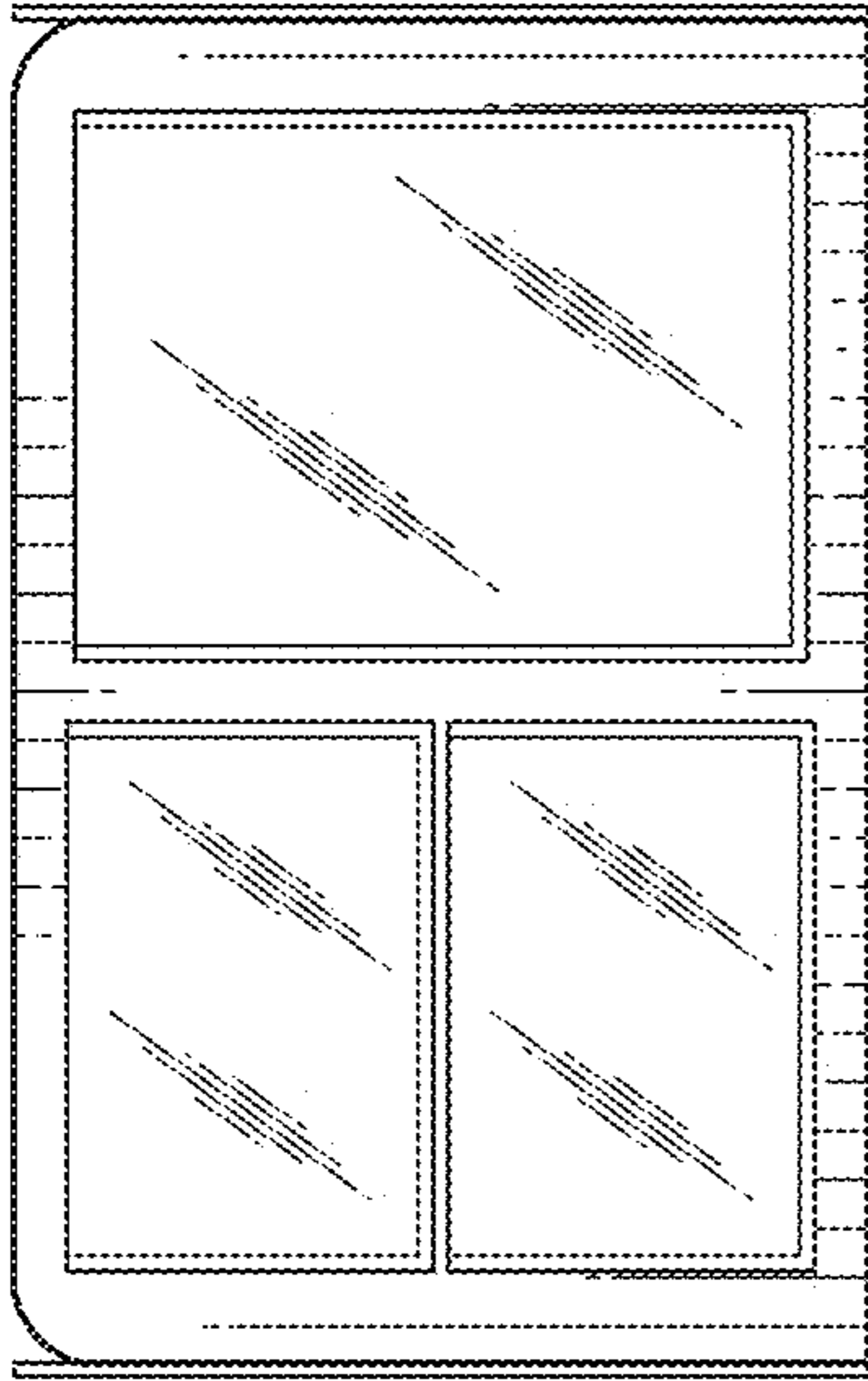


FIG. 20

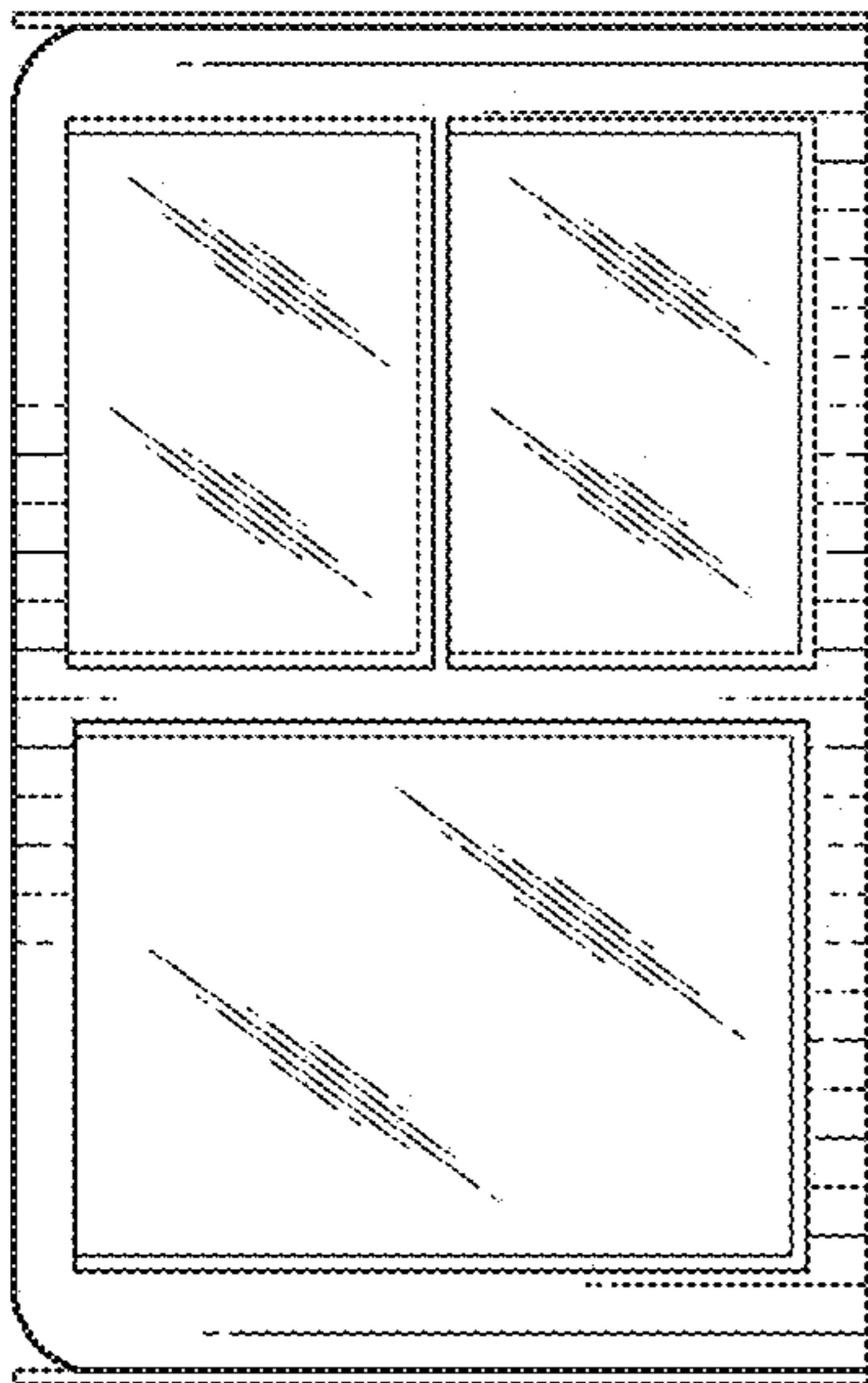


FIG. 19

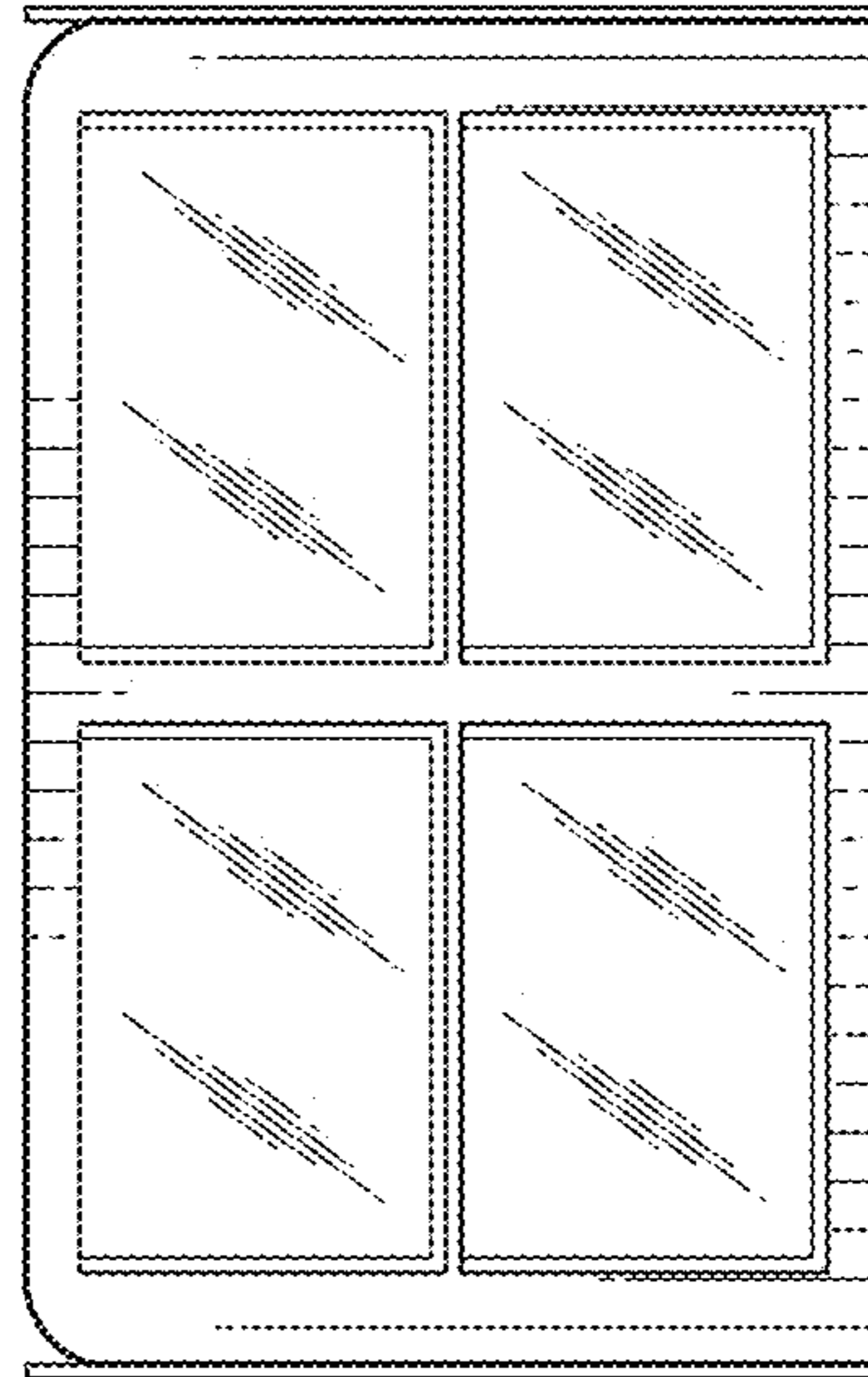


FIG. 21

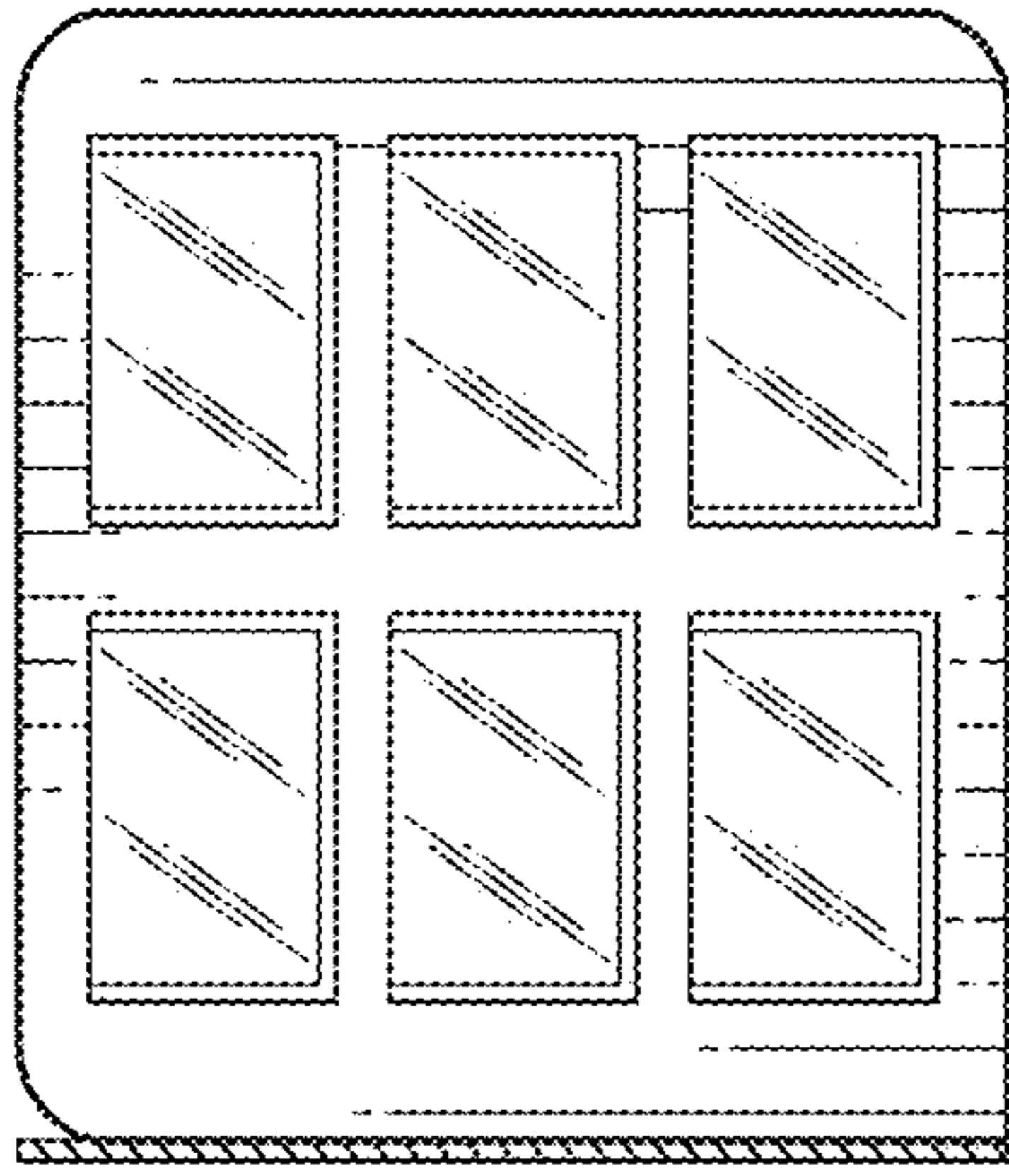


FIG. 22

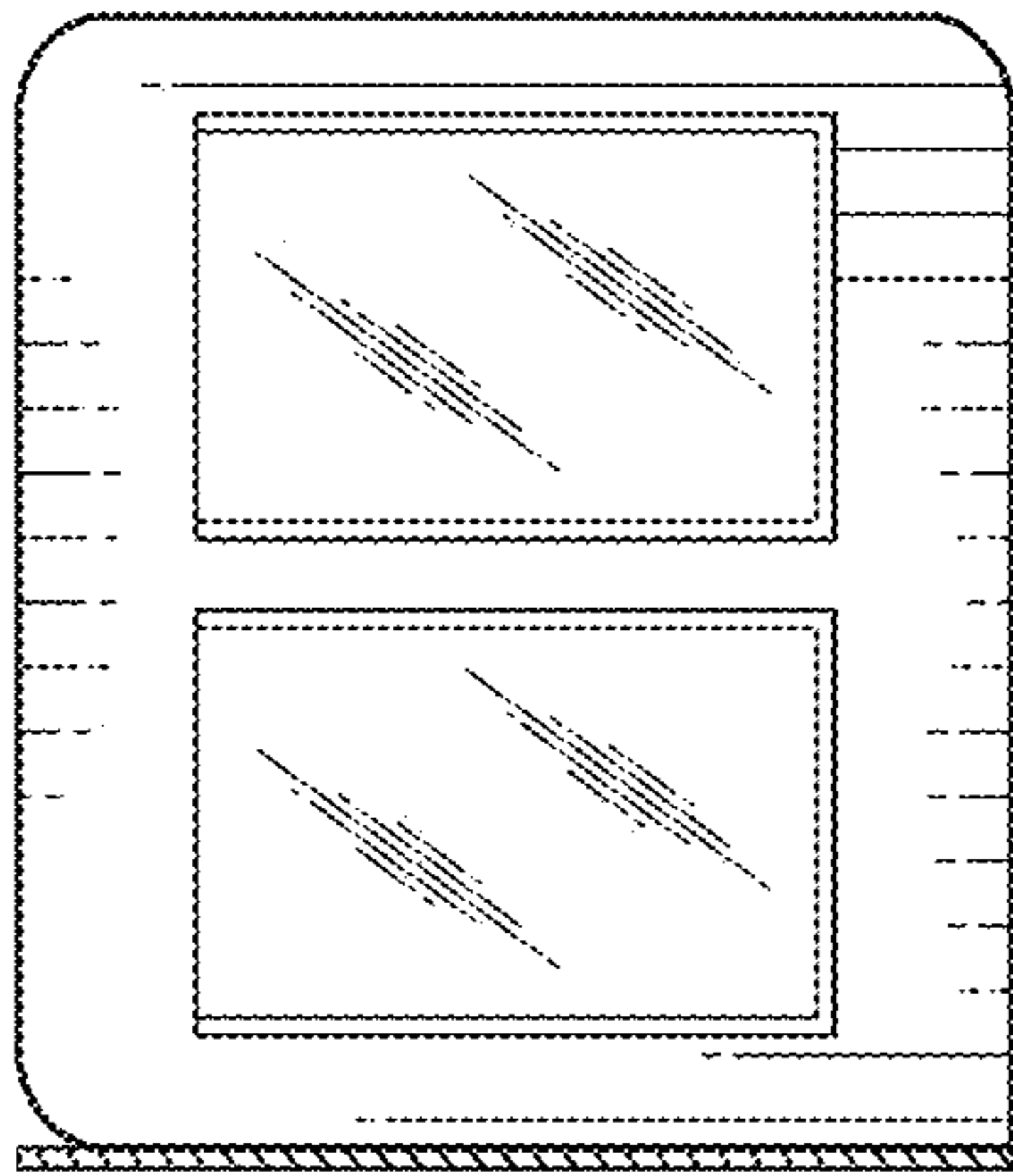


FIG. 23

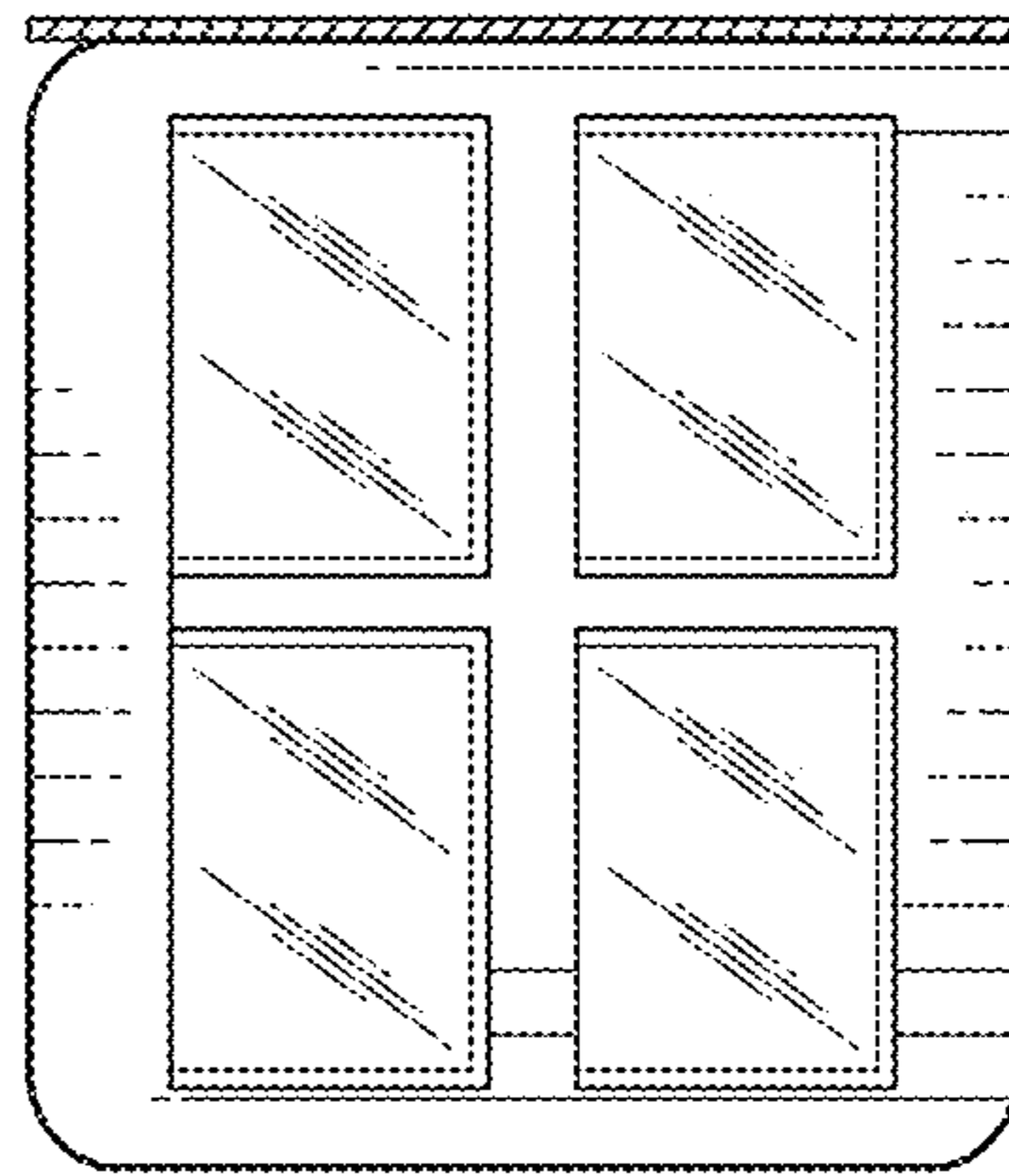


FIG. 24

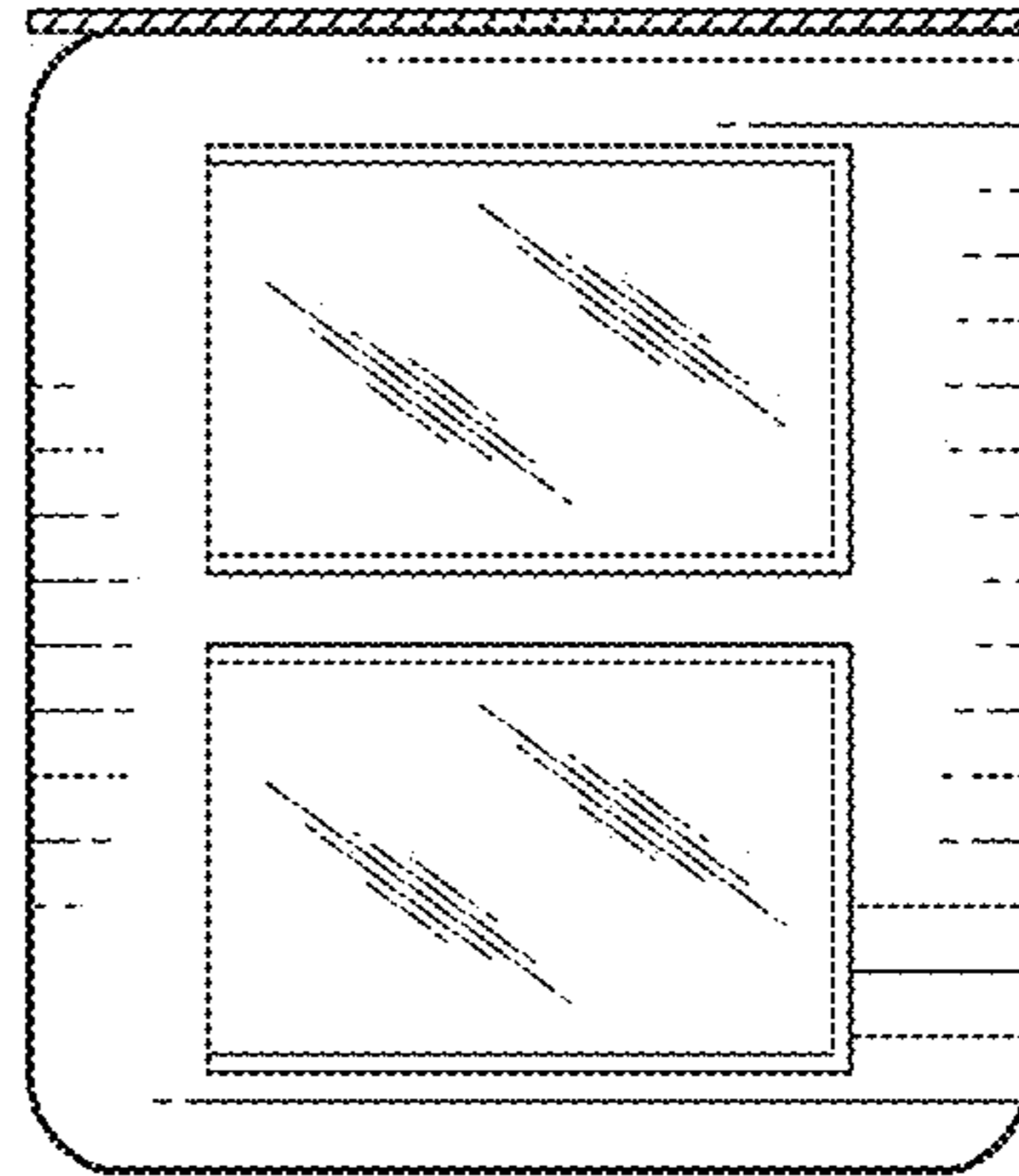


FIG. 25

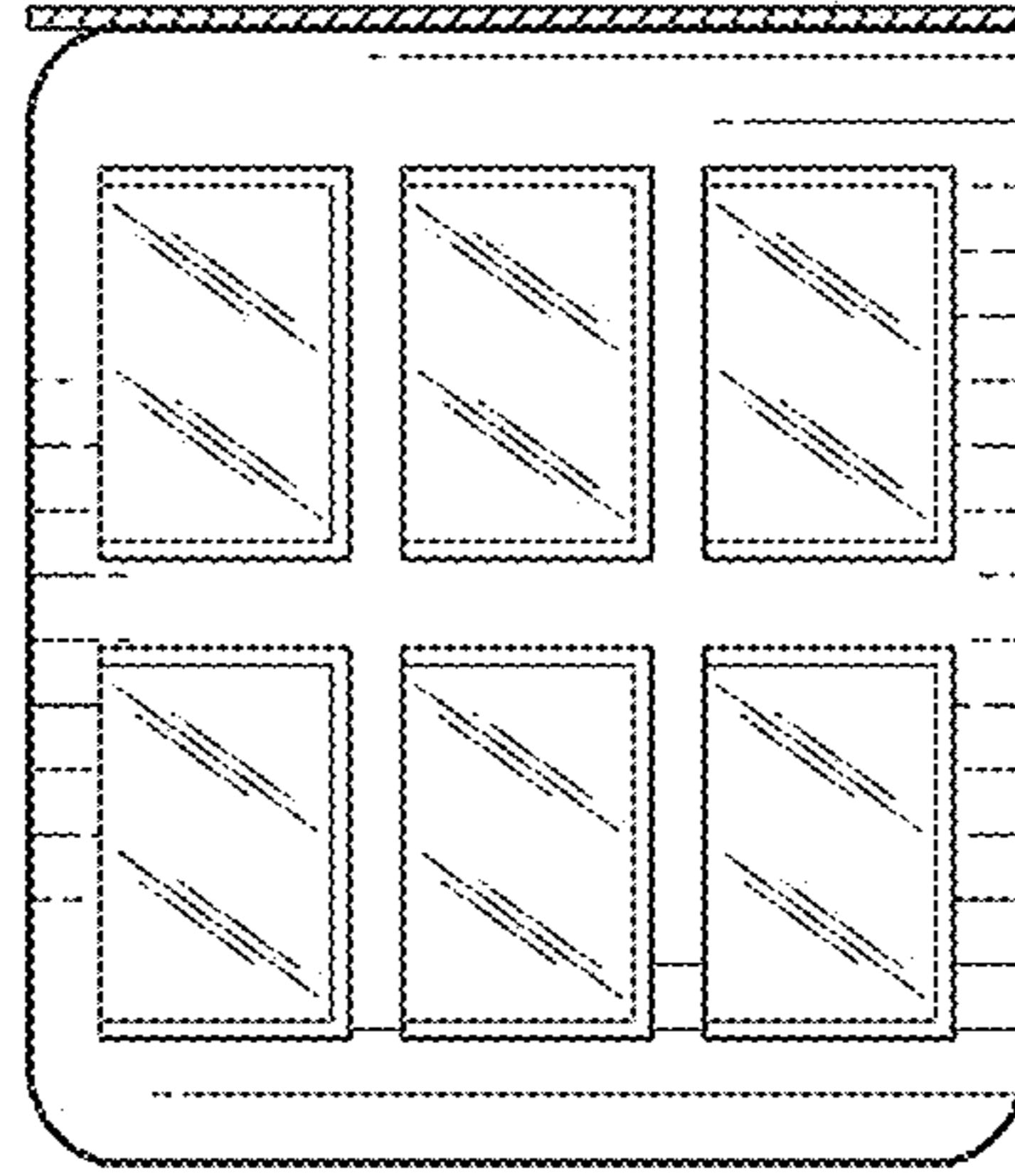


FIG. 26

FIG. 27