



US00D871774S

(12) **United States Design Patent** (10) **Patent No.:** **US D871,774 S**  
**Potut et al.** (45) **Date of Patent:** **\*\* Jan. 7, 2020**

(54) **BRUSH**

(71) Applicants: **Jean Francois Potut**, Viry (FR);  
**Sandie Potut**, Viry (FR)

(72) Inventors: **Jean Francois Potut**, Viry (FR);  
**Sandie Potut**, Viry (FR)

(\*\*) Term: **15 Years**

(21) Appl. No.: **29/651,405**

(22) Filed: **Jul. 30, 2018**

**Related U.S. Application Data**

(63) Continuation-in-part of application No. 29/620,076,  
filed on Jun. 20, 2016, now abandoned.

(51) **LOC (12) Cl.** ..... **04-01**

(52) **U.S. Cl.**  
USPC ..... **D4/124**; D4/116; D2/897; D2/898

(58) **Field of Classification Search**  
USPC ..... D4/116-119, 124, 199, 130, 132, 134,  
D4/136; D2/896-897, 916, 917, 929,  
D2/930, 939, 940; D32/42, 43  
CPC ..... A45D 24/14; A45D 24/16; A46B 3/005;  
A46B 5/00; A46B 5/02; A46B 5/021;  
A46B 9/02; A46B 9/021; A46B 9/023;  
A46B 13/001; A46B 13/008; A46B  
15/0055; A46B 15/0081; A46B 15/0087;  
A46B 17/02; A46B 2200/30; A46B  
2200/104; A46B 2200/106; A46B  
2200/202; A46B 2200/205; A46B  
2200/207; A46B 2200/304; A46B  
2200/1006; A46B 2200/1046; A46B  
2200/1053; A46B 2200/3006; A46B  
2200/3033; A46B 2200/3093

See application file for complete search history.

(56) **References Cited**

**U.S. PATENT DOCUMENTS**

599,495	A *	2/1898	Durel et al. ....	A46B 5/02 15/143.1
D107,435	S *	12/1937	Marder .....	D4/130
D132,607	S *	6/1942	Schwartz .....	D4/130
D199,177	S *	9/1964	Kennedy .....	D4/118
3,460,182	A *	8/1969	Grande, Jr. ....	A47L 13/282 15/227
4,399,580	A *	8/1983	Stark .....	A46B 5/002 15/107
D306,930	S *	4/1990	Combs .....	D2/916
D389,318	S *	1/1998	Williams .....	D4/130
D407,544	S *	4/1999	Kenser .....	D2/916
D408,149	S *	4/1999	Chen .....	D32/42
D411,240	S *	6/1999	Risko .....	D2/897
D429,890	S *	8/2000	Tennant .....	D4/130
D450,177	S *	11/2001	Boncutter .....	D2/916
D482,534	S *	11/2003	Olson .....	D4/120

(Continued)

*Primary Examiner* — Keli L Hill

(74) *Attorney, Agent, or Firm* — R. Wayne Pritchard

(57) **CLAIM**

The ornamental design for the brush, as shown.

**DESCRIPTION**

FIG. 1 is a left sided view of the brush showing the new design.

FIG. 2 is an angled top view of the brush showing the new design.

FIG. 3 is a top view of the brush showing the new design.

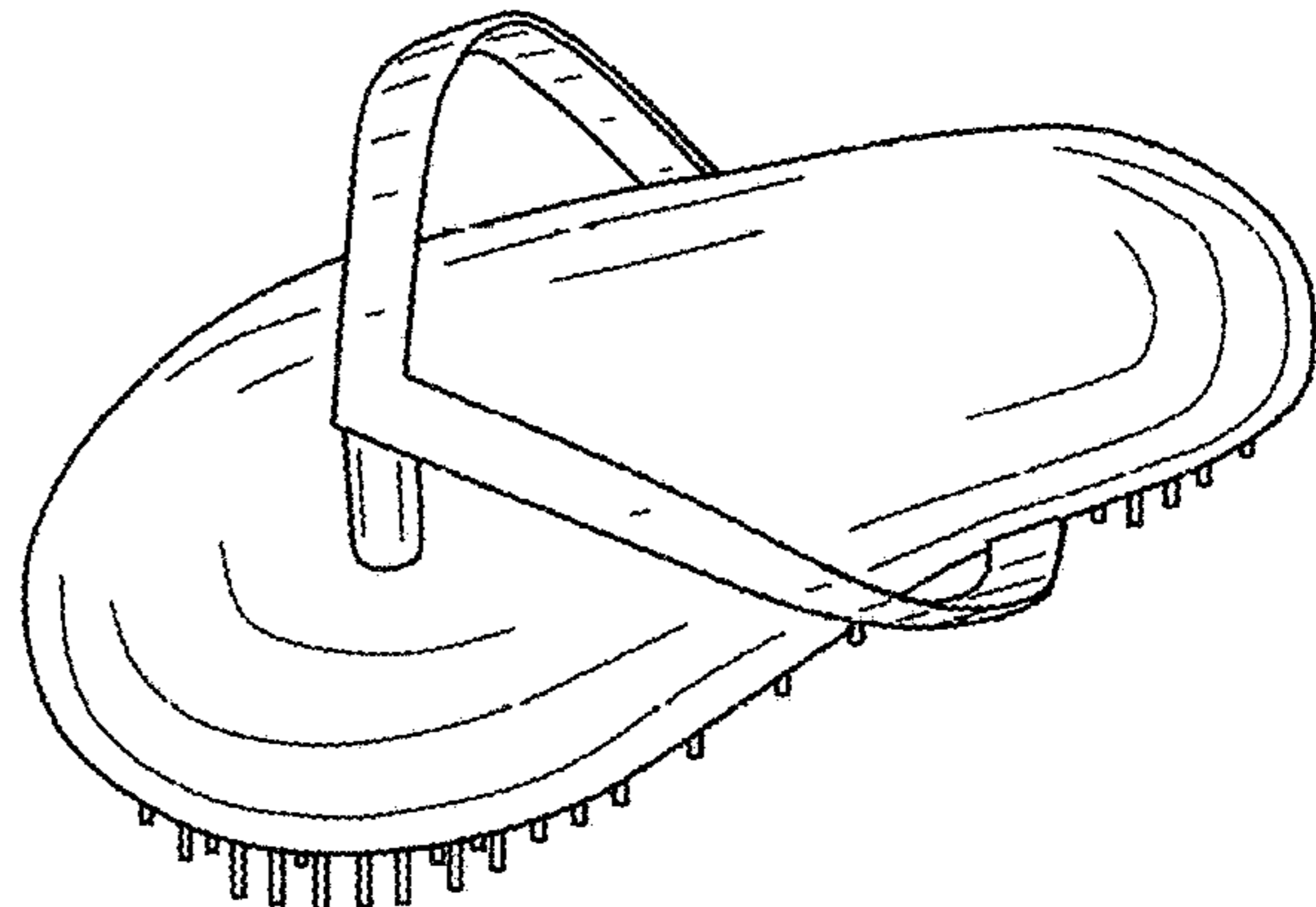
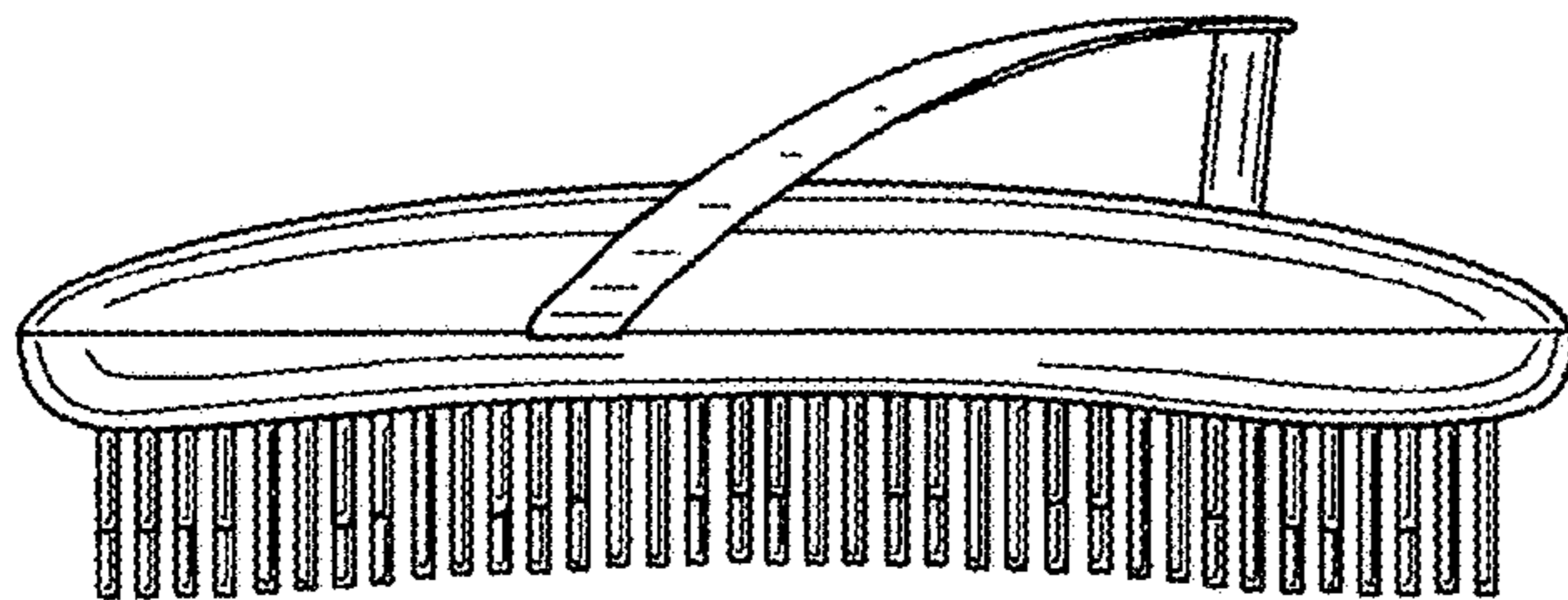
FIG. 4 is a right sided view of the brush showing the new design.

FIG. 5 is a bottom view of the brush showing the new design.

FIG. 6 is a front end view of the brush showing the new design; and,

FIG. 7 is a rear end view of the brush showing the new design.

**1 Claim, 3 Drawing Sheets**



(56)

**References Cited**

U.S. PATENT DOCUMENTS

D546,011 S *	7/2007	Favuzzi .....	D32/40
D562,006 S *	2/2008	Liu .....	D4/130
D573,797 S *	7/2008	Guillaume .....	D4/119
D583,566 S *	12/2008	Meyer .....	D4/124
D643,188 S *	8/2011	Tonkel .....	D2/897
D653,455 S *	2/2012	Cynewski .....	D2/898
D666,835 S *	9/2012	Grainger .....	D4/120
D668,055 S *	10/2012	Khubani .....	A46B 5/02 D4/130
D670,083 S *	11/2012	Treeby .....	A46B 9/023 D4/130
D765,420 S *	9/2016	Suh .....	A46B 5/002 D4/130
D844,334 S *	4/2019	Lee .....	A47L 13/282 D4/134
2010/0101594 A1 *	4/2010	Pulfrey .....	A46B 9/023 132/120

\* cited by examiner

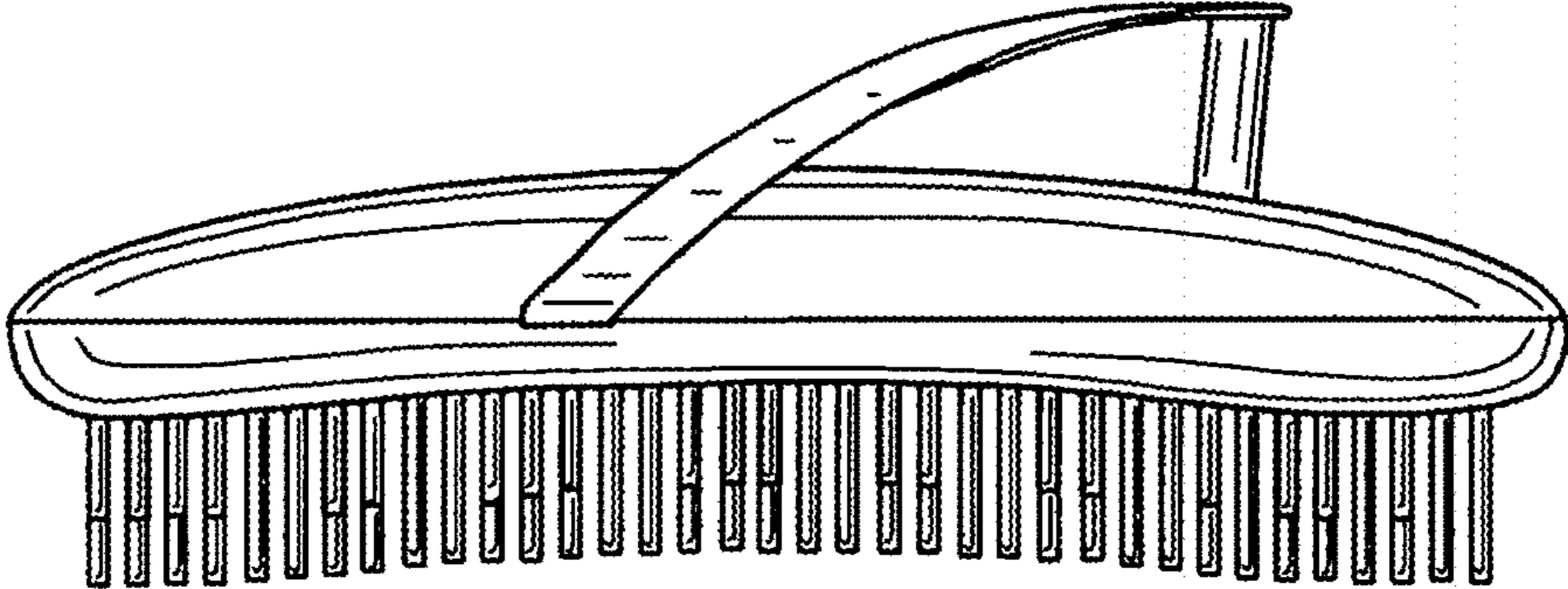


Fig. 1

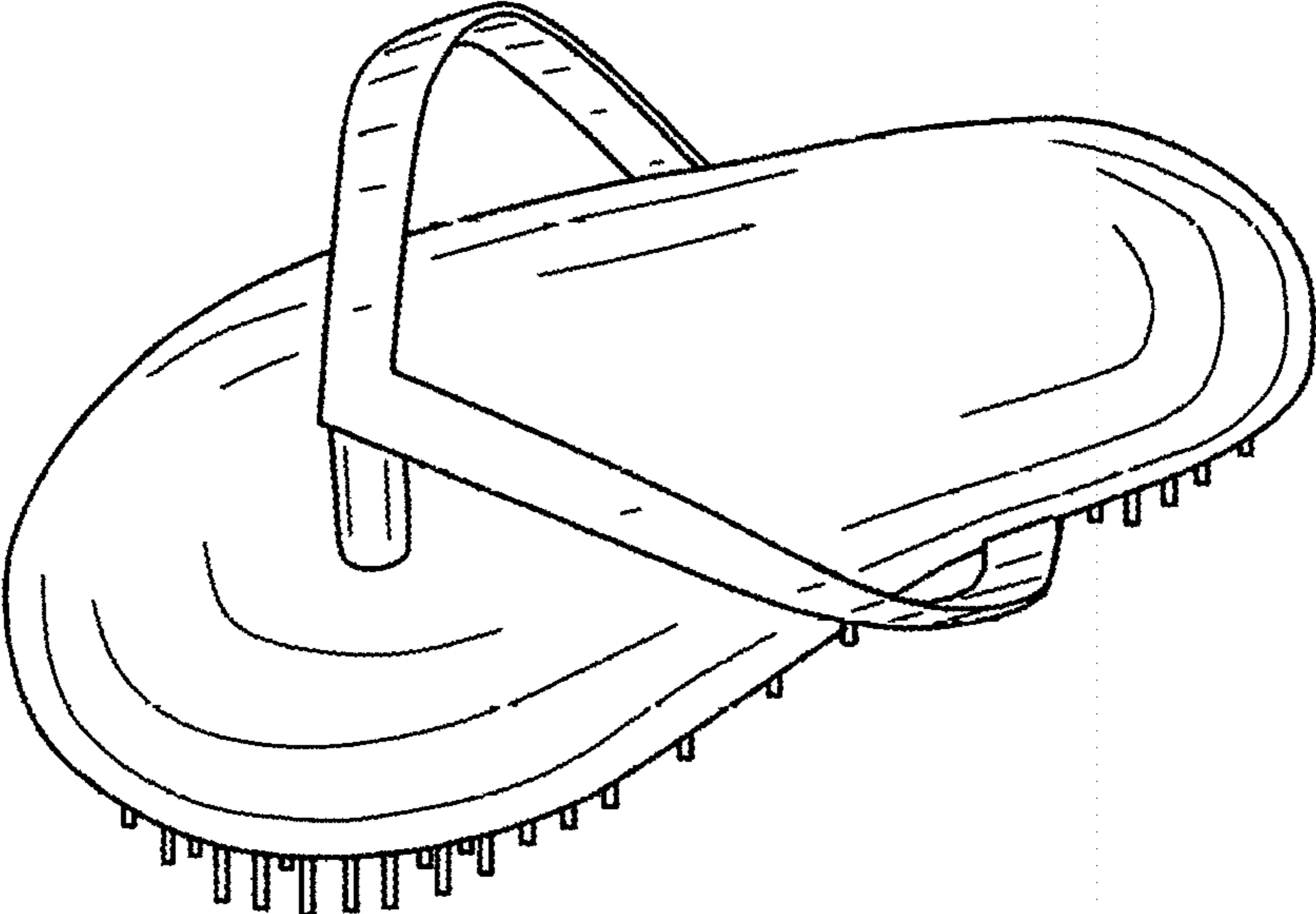
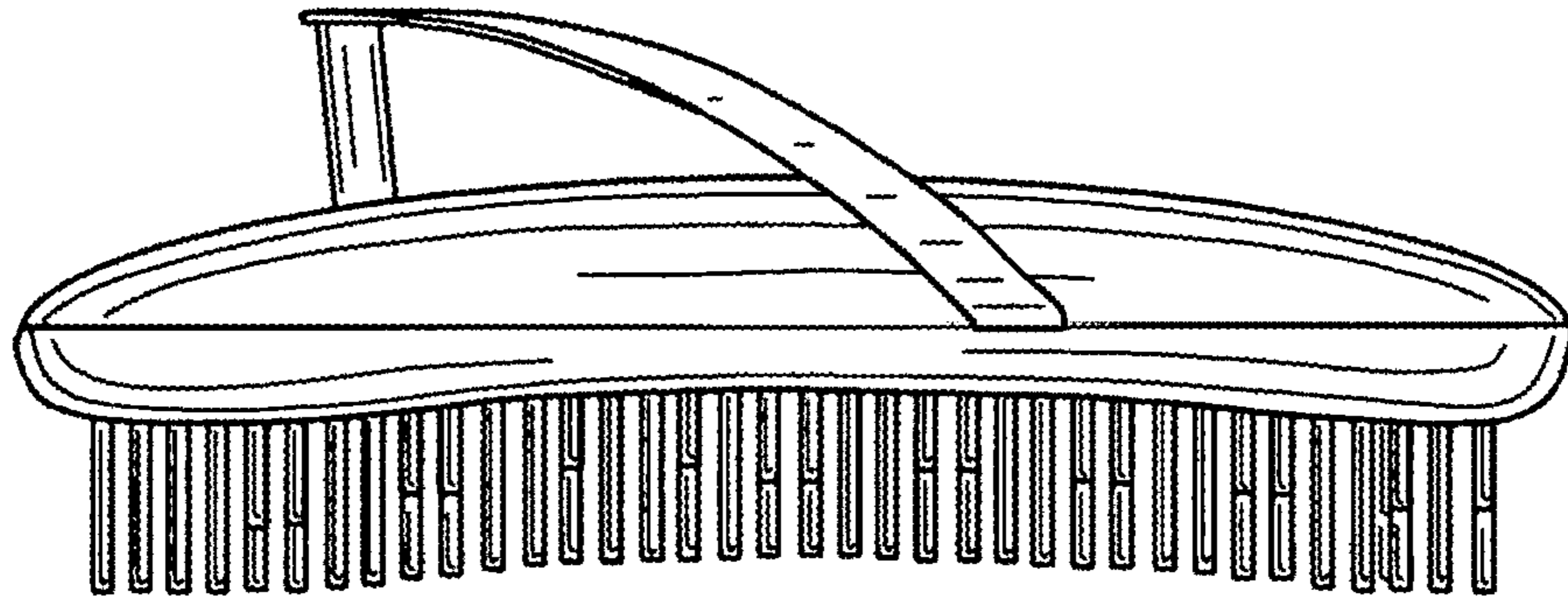
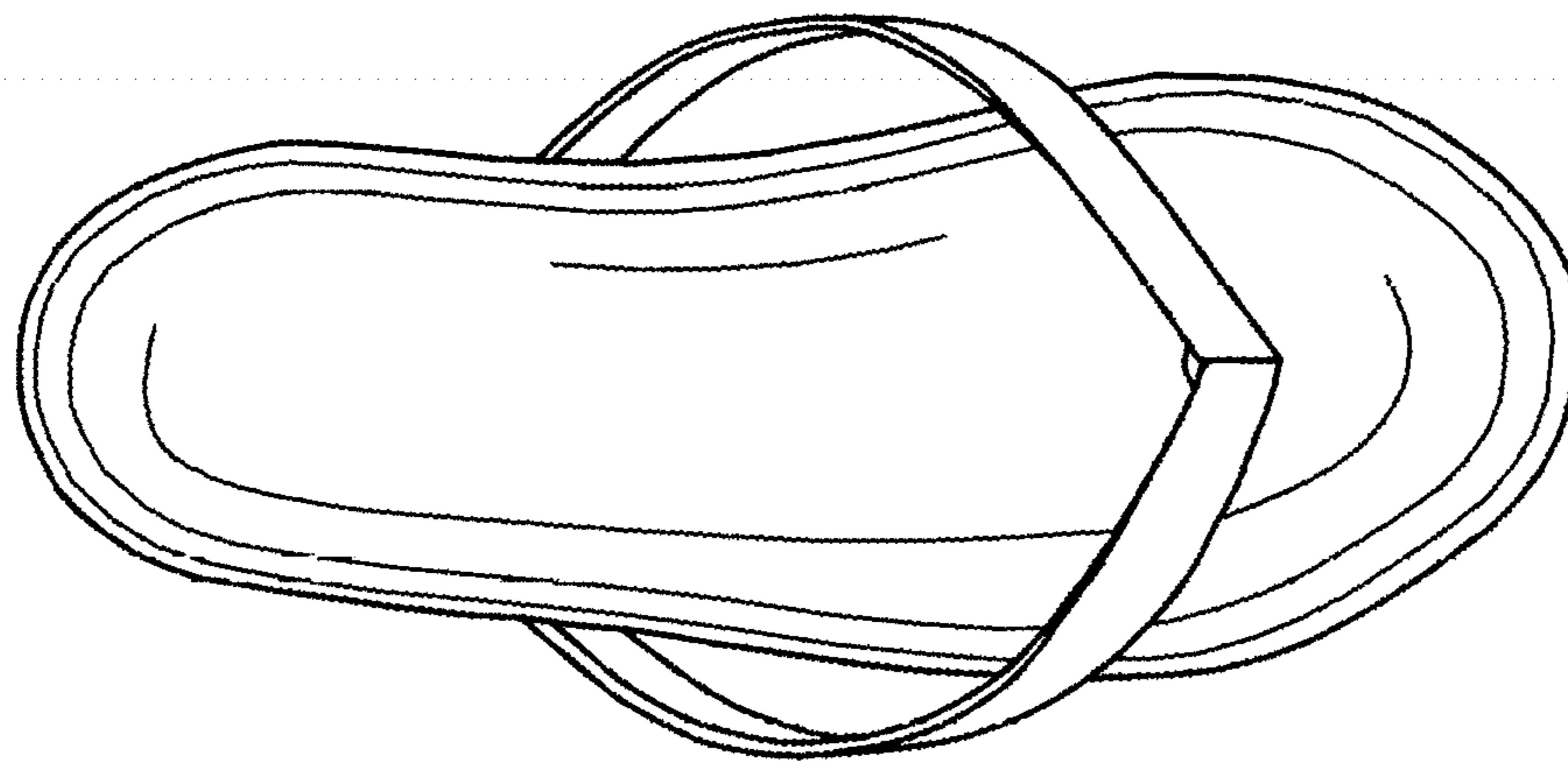


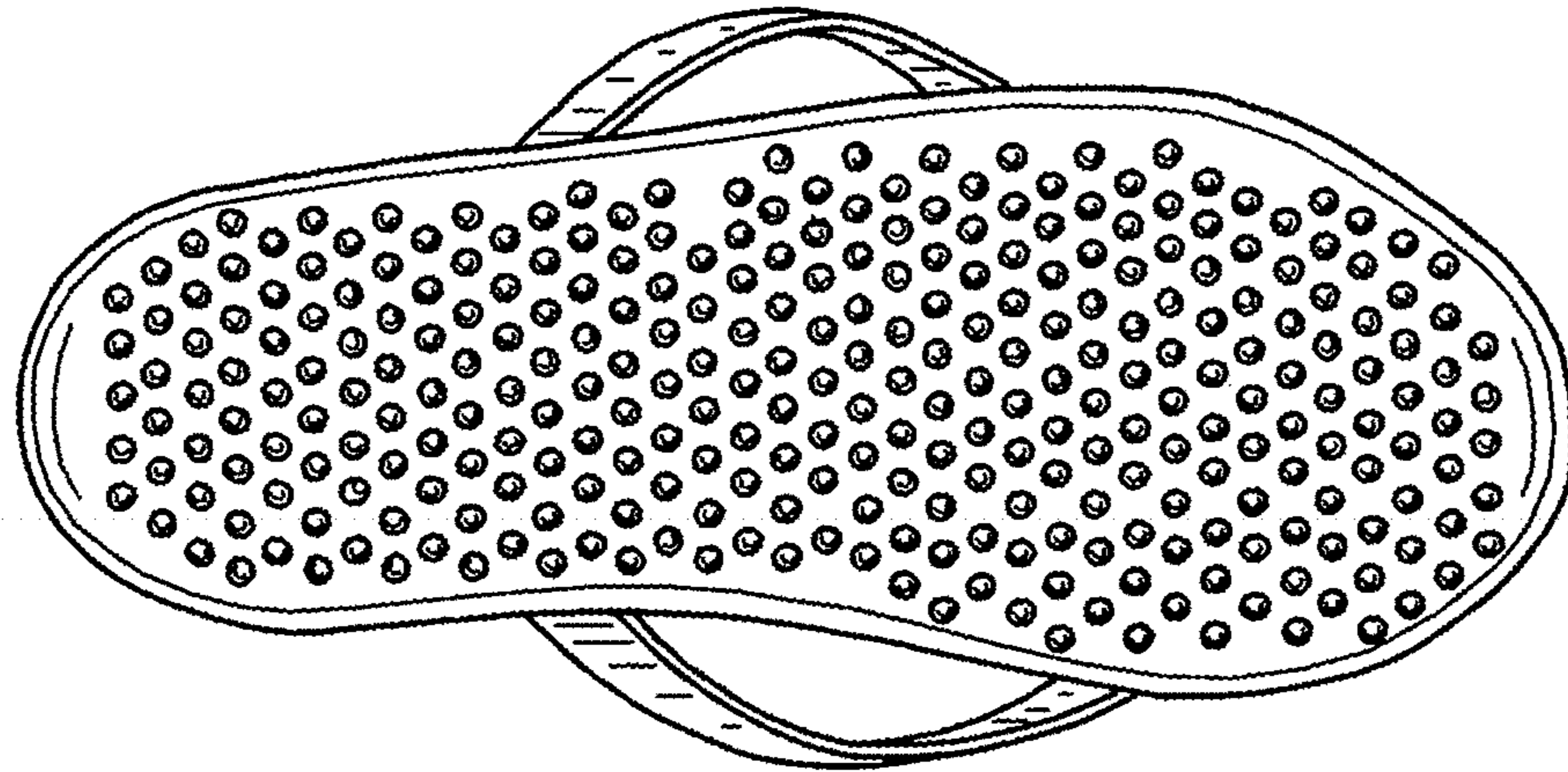
Fig. 2



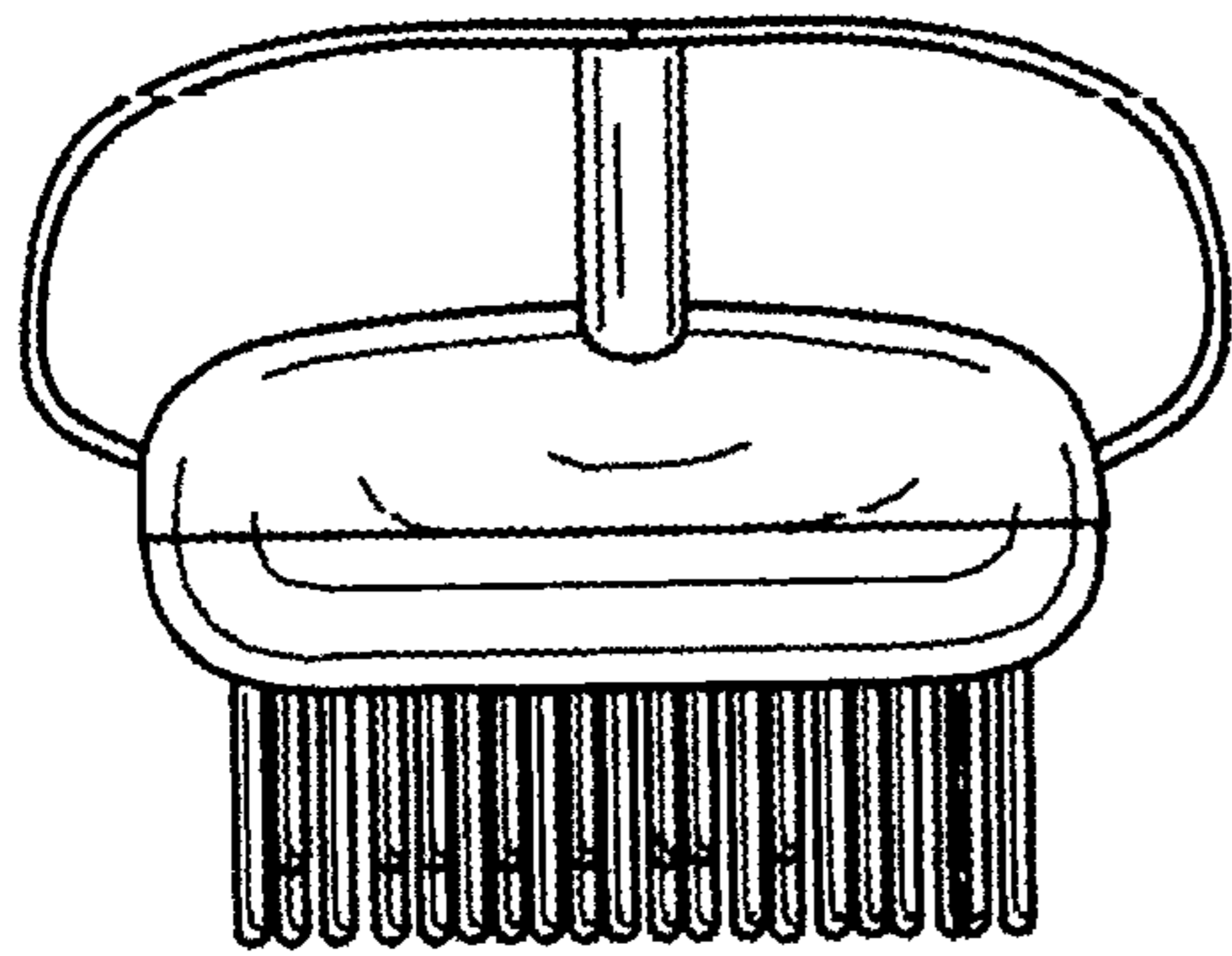
*Fig. 4*



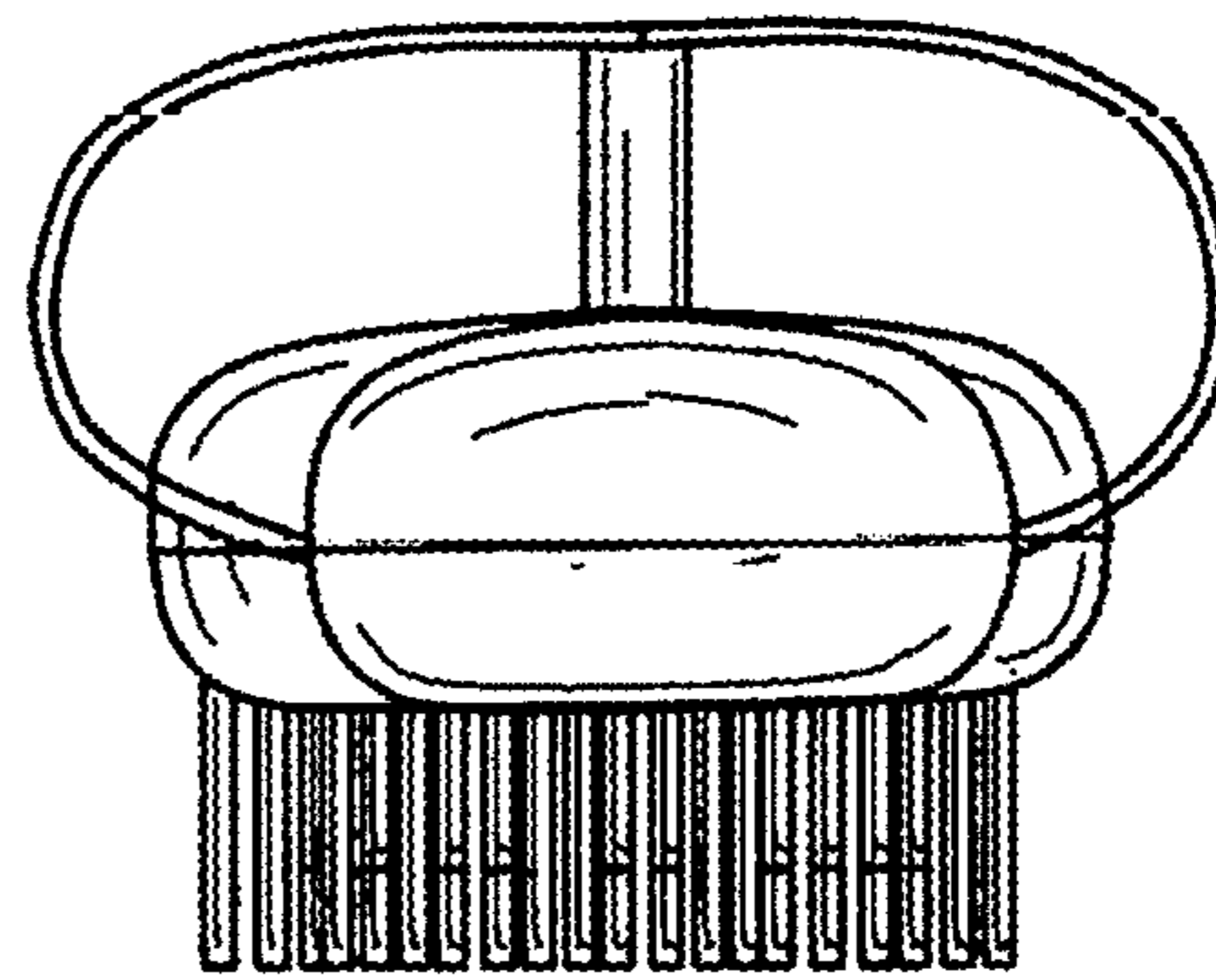
*Fig. 3*



*Fig. 5*



*Fig. 6*



*Fig. 7*