



US00D871773S

(12) **United States Design Patent**  
**Ou**

(10) **Patent No.:** **US D871,773 S**

(45) **Date of Patent:** **\*\* Jan. 7, 2020**

(54) **CLEANING BRUSH**

(71) Applicant: **Cuimei Ou**, Heyuan (CN)

(72) Inventor: **Cuimei Ou**, Heyuan (CN)

(\*\*) Term: **15 Years**

(21) Appl. No.: **29/629,379**

(22) Filed: **Dec. 13, 2017**

(51) **LOC (12) Cl.** ..... **04-01**

(52) **U.S. Cl.**

USPC ..... **D4/118; D4/134**

(58) **Field of Classification Search**

USPC ..... D4/116-119, 129-132, 138; D32/42, 46,  
D32/49, 51, 52

CPC ..... A46B 3/00; A46B 3/18; A46B 5/0004;  
A46B 5/0012; A46B 5/02; A46B 5/023;  
A46B 2200/00; A46B 2200/30; A46B  
2200/3033; A46B 2200/3093

See application file for complete search history.

(56) **References Cited**

**U.S. PATENT DOCUMENTS**

- 4,056,863 A \* 11/1977 Gunjian ..... A46B 3/18  
15/160
- D380,090 S \* 6/1997 Zemel ..... D4/115
- D459,088 S \* 6/2002 Rowe ..... A46B 3/18  
D4/118
- D459,586 S \* 7/2002 Cummings ..... A46D 1/0207  
D4/118
- D664,771 S \* 8/2012 Gunjian ..... D4/131
- D714,557 S \* 10/2014 Gonzalez ..... D4/131
- 9,101,205 B2 \* 8/2015 Gunjian ..... A46D 1/0207

- 9,210,993 B2 \* 12/2015 Gonzalez ..... A46B 3/18
- D751,297 S \* 3/2016 Borovicka ..... A46B 3/18  
D4/119
- 9,357,832 B2 \* 6/2016 Gonzalez ..... A46B 3/18
- D833,751 S \* 11/2018 Lien ..... A46B 3/18  
D4/118
- 2014/0250617 A1 \* 9/2014 Gunjian ..... A46D 1/0207  
15/207.2
- 2017/0055689 A1 \* 3/2017 Gunjian ..... A46B 3/18

\* cited by examiner

*Primary Examiner* — Keli L Hill

(74) *Attorney, Agent, or Firm* — Law Offices of Steven W. Weinrieb

(57) **CLAIM**

The ornamental design for a cleaning brush, as shown and described.

**DESCRIPTION**

FIG. 1 is a left side, rear, top perspective view of the cleaning brush showing my new design, with the cleaning brush oriented vertically;

FIG. 2 is a left side elevational view thereof;

FIG. 3 is a right side elevational view thereof;

FIG. 4 is a front elevational view thereof;

FIG. 5 is a rear elevational view thereof;

FIG. 6 is a top plan view thereof;

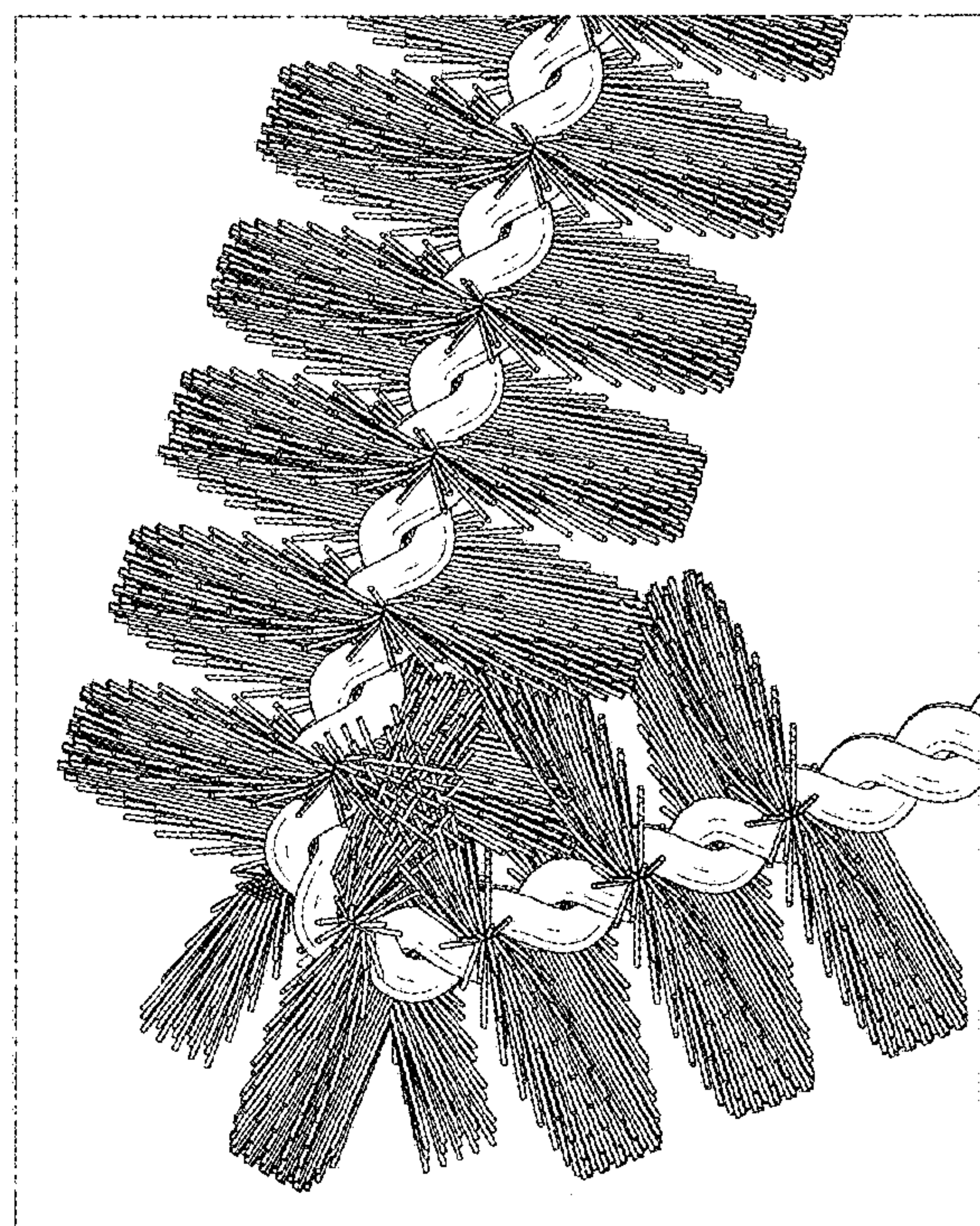
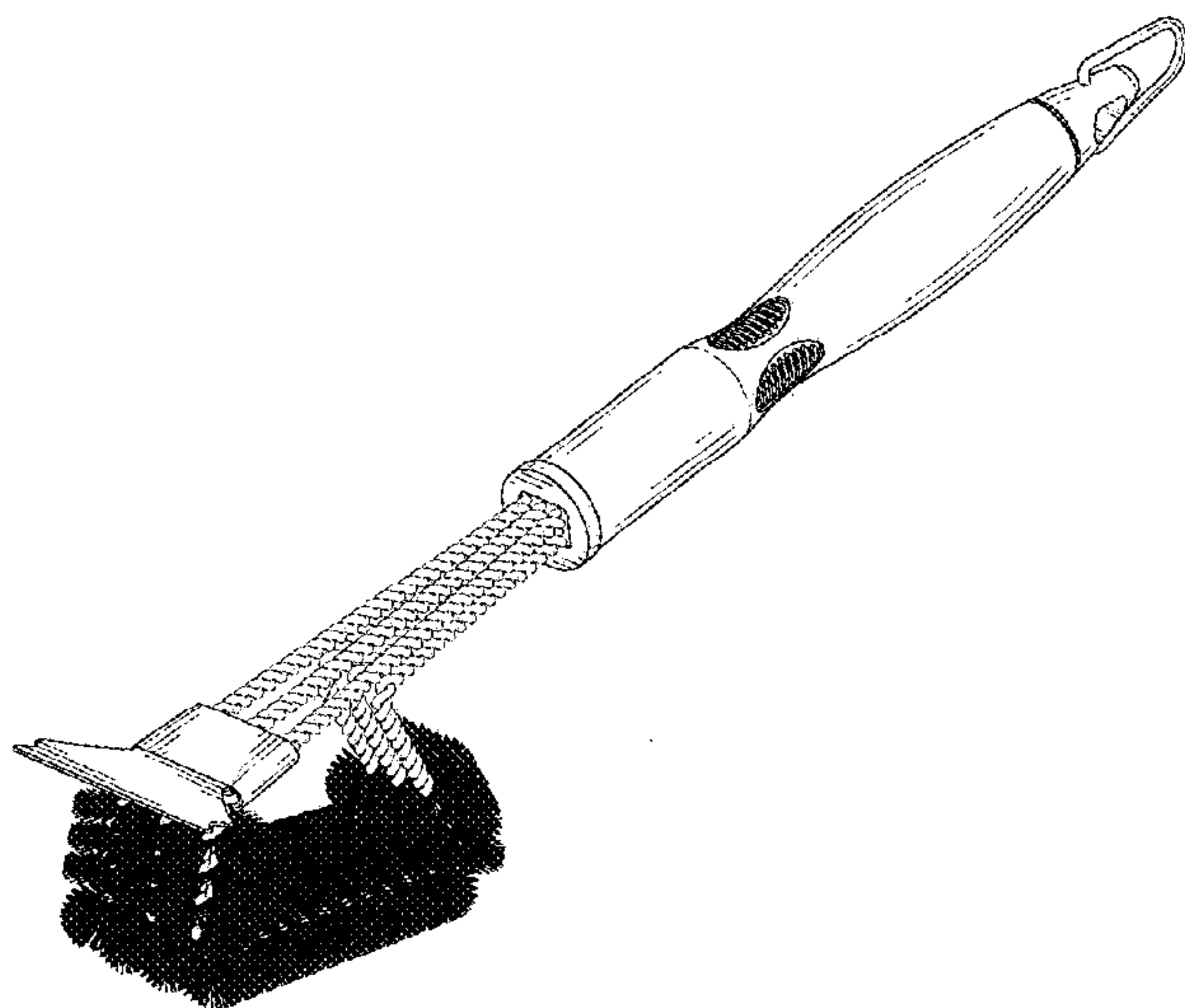
FIG. 7 is a bottom plan view thereof;

FIG. 8 is a left side, front, top perspective view thereof;

FIG. 9 is an enlarged view of the brush region circled as 9 within FIG. 1; and,

FIG. 10 is an enlarged view of the brush region disposed within the rectangular box 10 of FIG. 2.

**1 Claim, 10 Drawing Sheets**



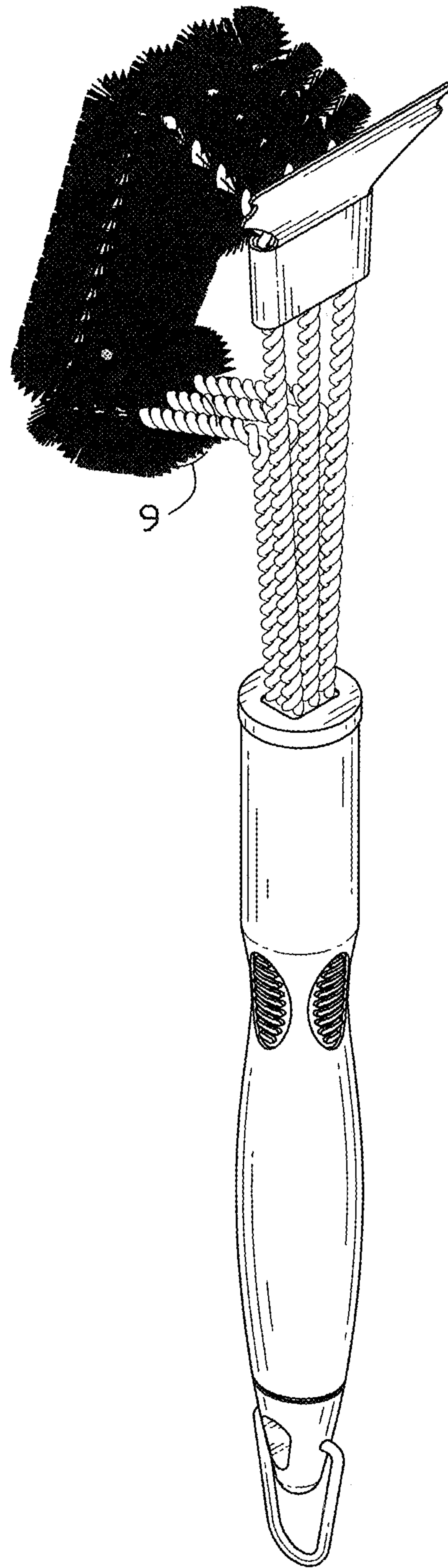


FIG. 1



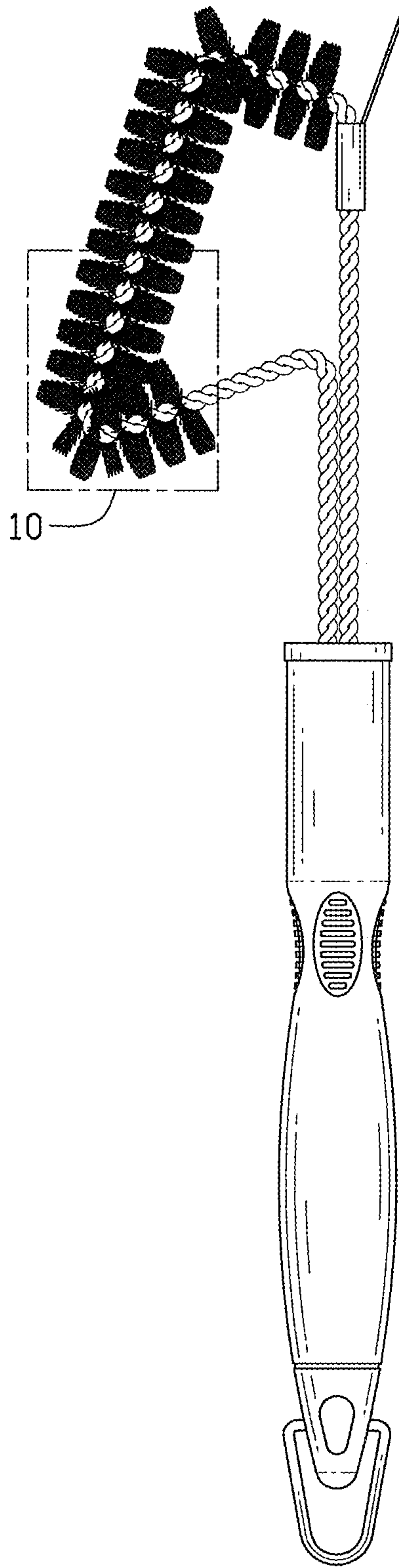


FIG. 2

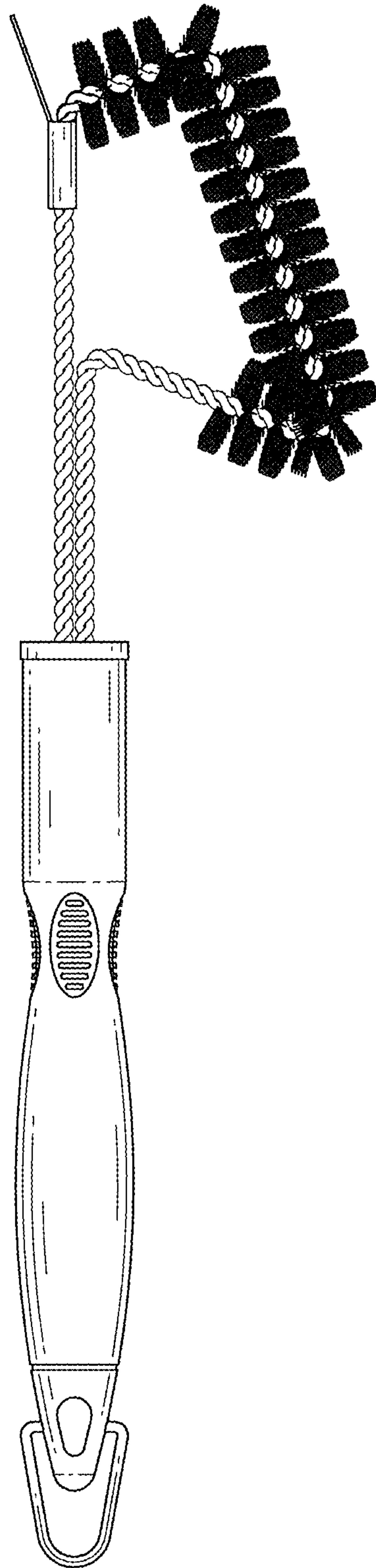


FIG. 3

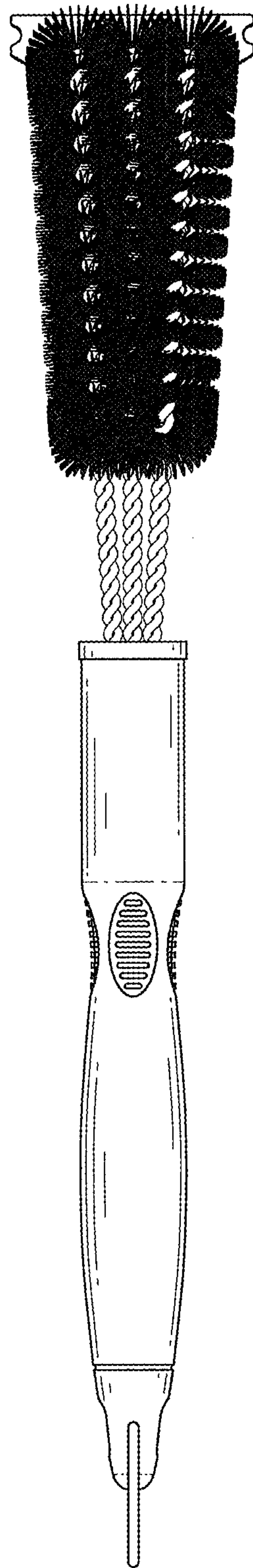


FIG. 4

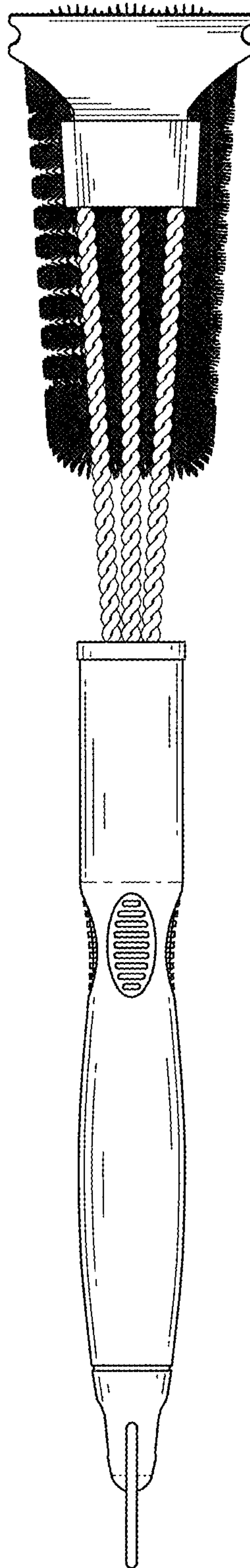


FIG. 5

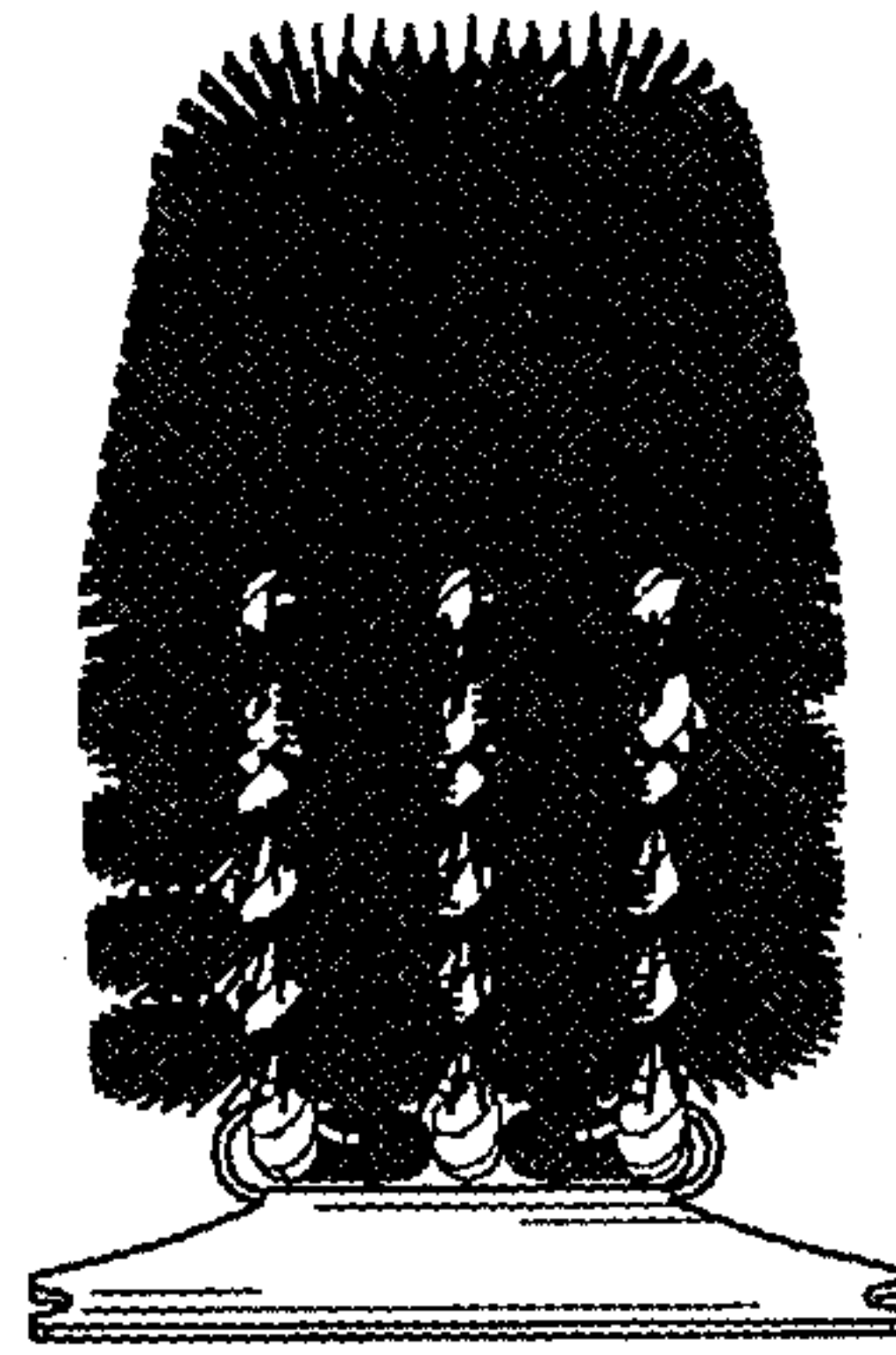


FIG. 6

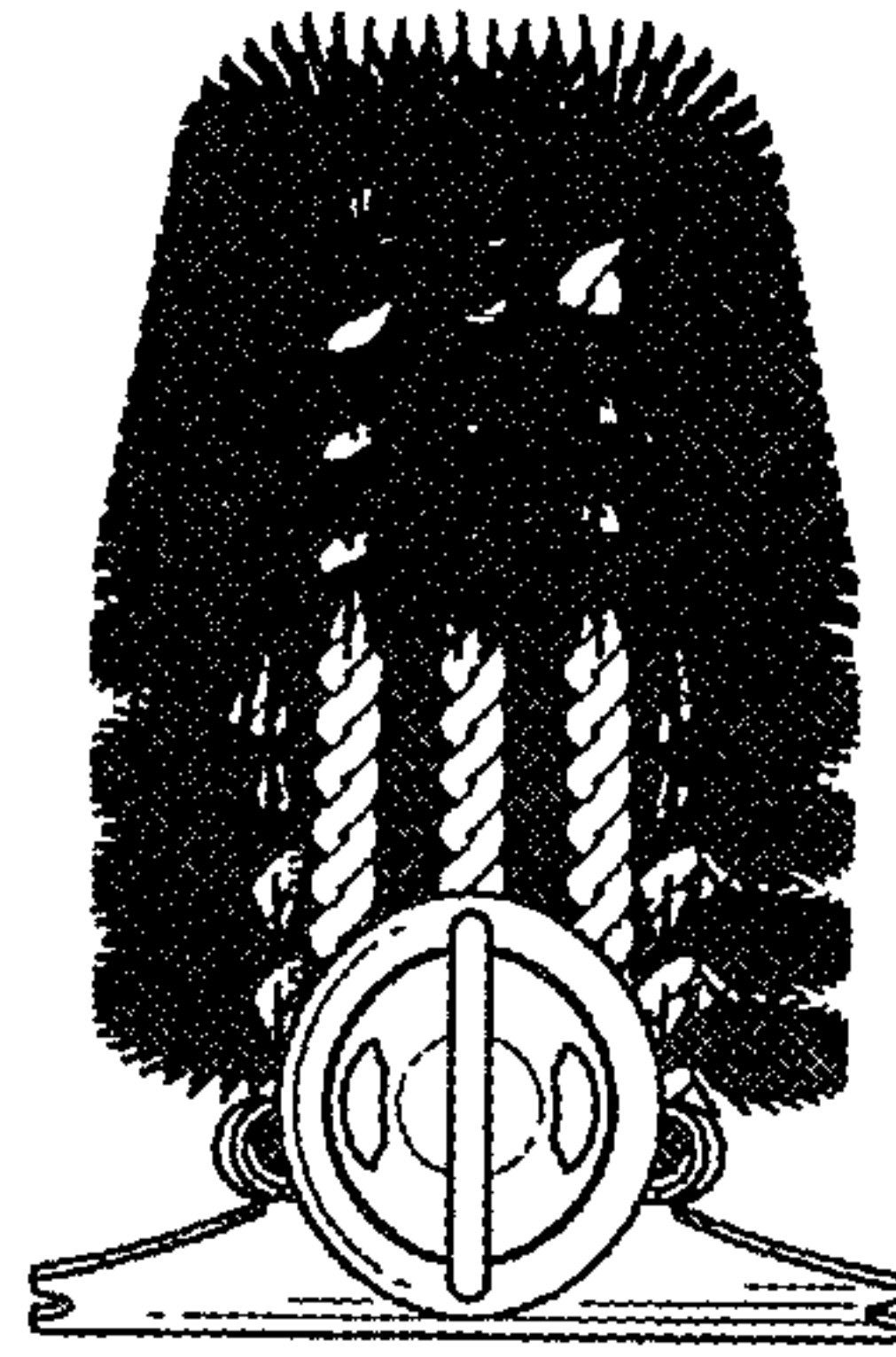


FIG. 7



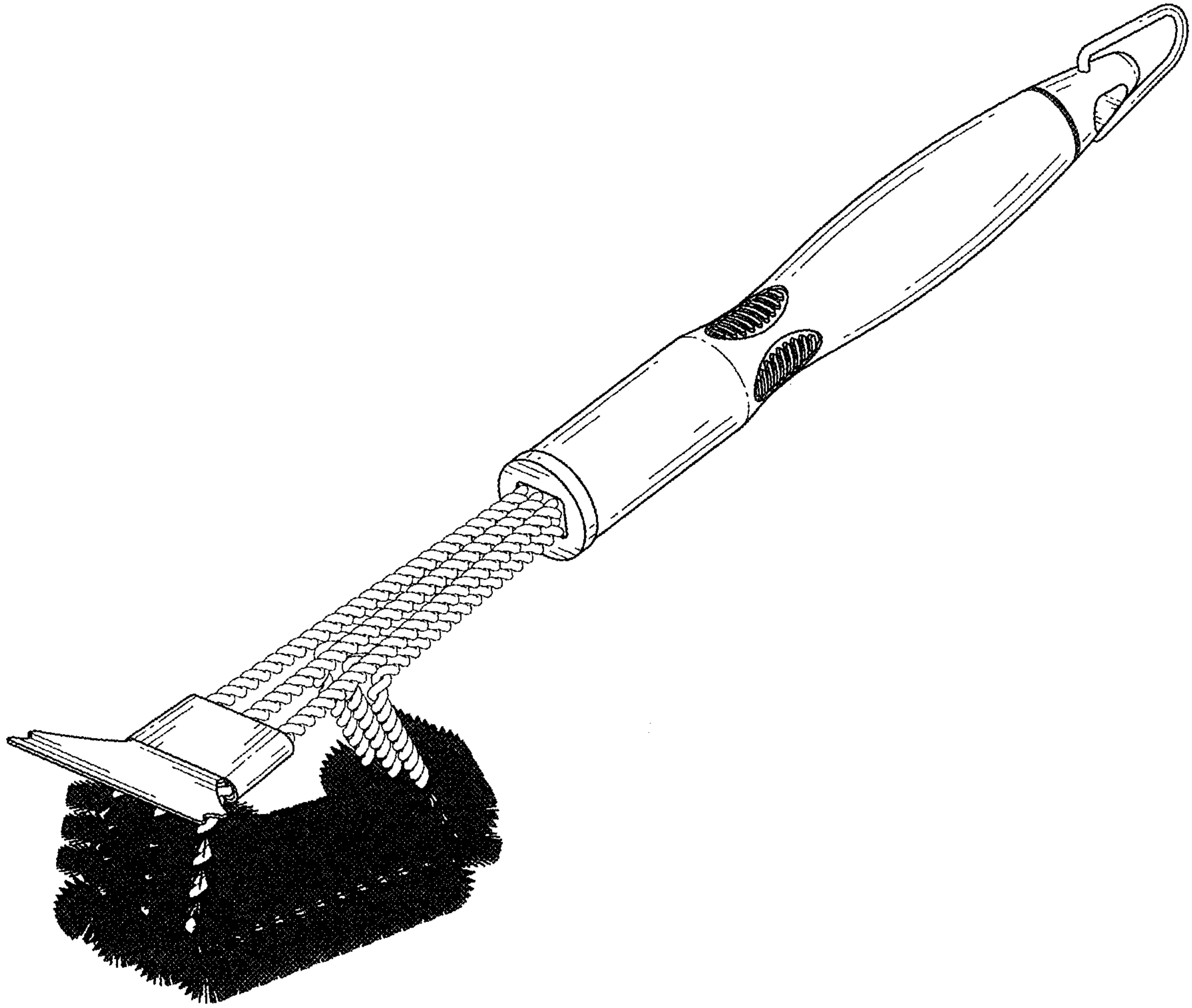


FIG. 8

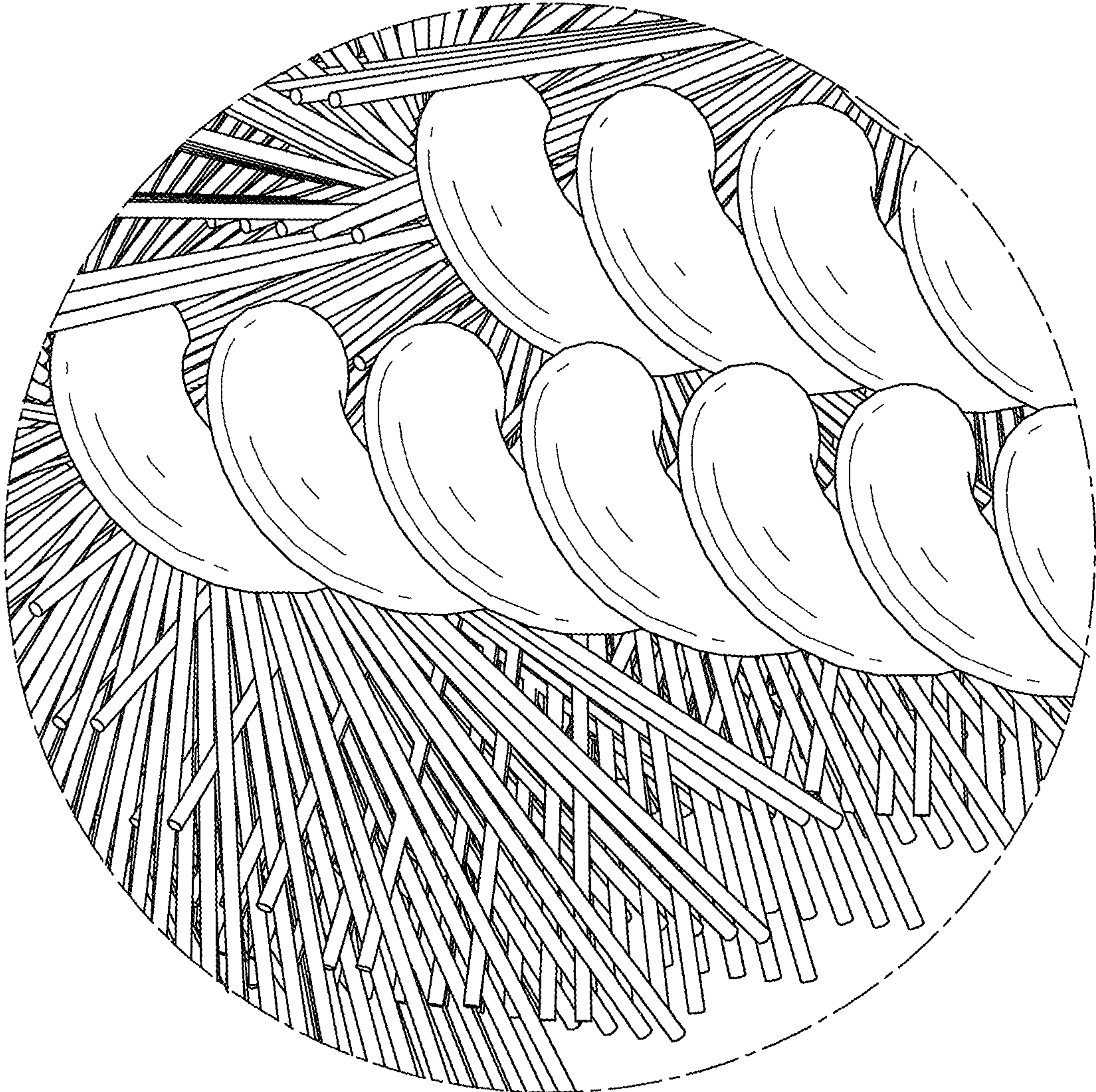


FIG. 9



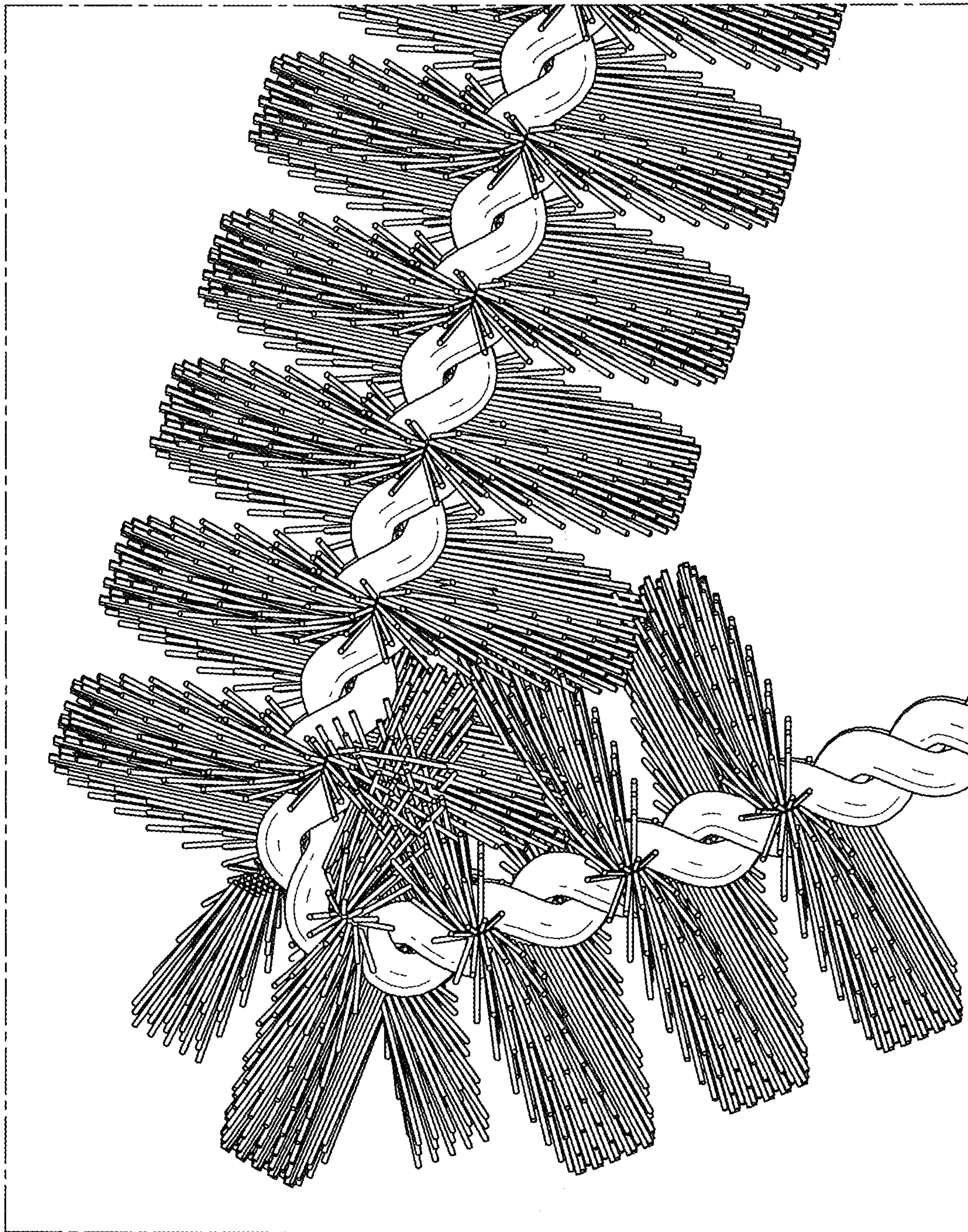


FIG. 10