



US00D871771S

(12) **United States Design Patent**  
**Diener et al.**

(10) **Patent No.:** **US D871,771 S**  
(45) **Date of Patent:** **\*\* Jan. 7, 2020**

(54) **EXFOLIATION APPLICATOR**

(71) Applicant: **L’Oreal USA Creative, Inc.**, New York, NY (US)

(72) Inventors: **Alex Diener**, Seattle, WA (US);  
**Spencer Denton**, Seattle, WA (US);  
**Aaron David Poole**, Portland, OR (US);  
**Sam B. Goldberg**, Seattle, WA (US);  
**Suk P. Wong**, Sammamish, WA (US);  
**Sabrina A. Wright**, Bellingham, WA (US);  
**Vinh Chouaychath**, Everett, WA (US);  
**Michiel Thomas Leijnse**, Mercer Island, WA (US)

(73) Assignee: **L’Oréal USA Creative, Inc.**, New York, NY (US)

(\*\*) Term: **15 Years**

(21) Appl. No.: **29/646,325**

(22) Filed: **May 3, 2018**

(51) **LOC (12) Cl.** ..... **28-03**

(52) **U.S. Cl.**  
USPC ..... **D4/102**

(58) **Field of Classification Search**  
USPC ..... D4/100, 102, 121, 127, 136; D28/7, 63,  
D28/73; D24/211, 214, 215; D32/35, 40  
CPC . A47K 7/00; A47K 7/02; A47K 7/002; A47K  
7/04; A47K 7/043; A61H 7/002; A61H  
7/003; A61H 7/005; A61H 2205/022;  
A61H 2201/1692; A46B 2200/102  
See application file for complete search history.

(56) **References Cited**

**U.S. PATENT DOCUMENTS**

D514,328 S \* 2/2006 Huang ..... D24/211  
D698,932 S \* 2/2014 Brewer ..... D24/211  
D711,656 S \* 8/2014 Brewer ..... D4/102  
D715,557 S \* 10/2014 Brewer ..... D4/102  
D715,558 S \* 10/2014 Brewer ..... D4/102

D843,003 S \* 3/2019 Huang ..... D24/215  
D844,163 S \* 3/2019 Du ..... D24/215  
D845,631 S \* 4/2019 Sedic ..... D4/100  
10,264,927 B2 \* 4/2019 Brewer ..... A46B 9/021  
2017/0119144 A1 \* 5/2017 Brewer ..... A46B 15/001  
(Continued)

**FOREIGN PATENT DOCUMENTS**

CN 302912274 \* 8/2014

**OTHER PUBLICATIONS**

Screen captures from “Clarisonic Mia Smart Sonic Cleansing System on QVC—YouTube,” [on-line]. Published Aug. 11, 2018; retrieved from the Internet May 3, 2019. URL: <https://www.youtube.com/watch?v=-6wTO68myvI>. (14 pages) (Year: 2018).\*  
(Continued)

*Primary Examiner* — Karen E Eldridge Powers  
(74) *Attorney, Agent, or Firm* — Christensen O’Connor Johnson Kindness PLLC

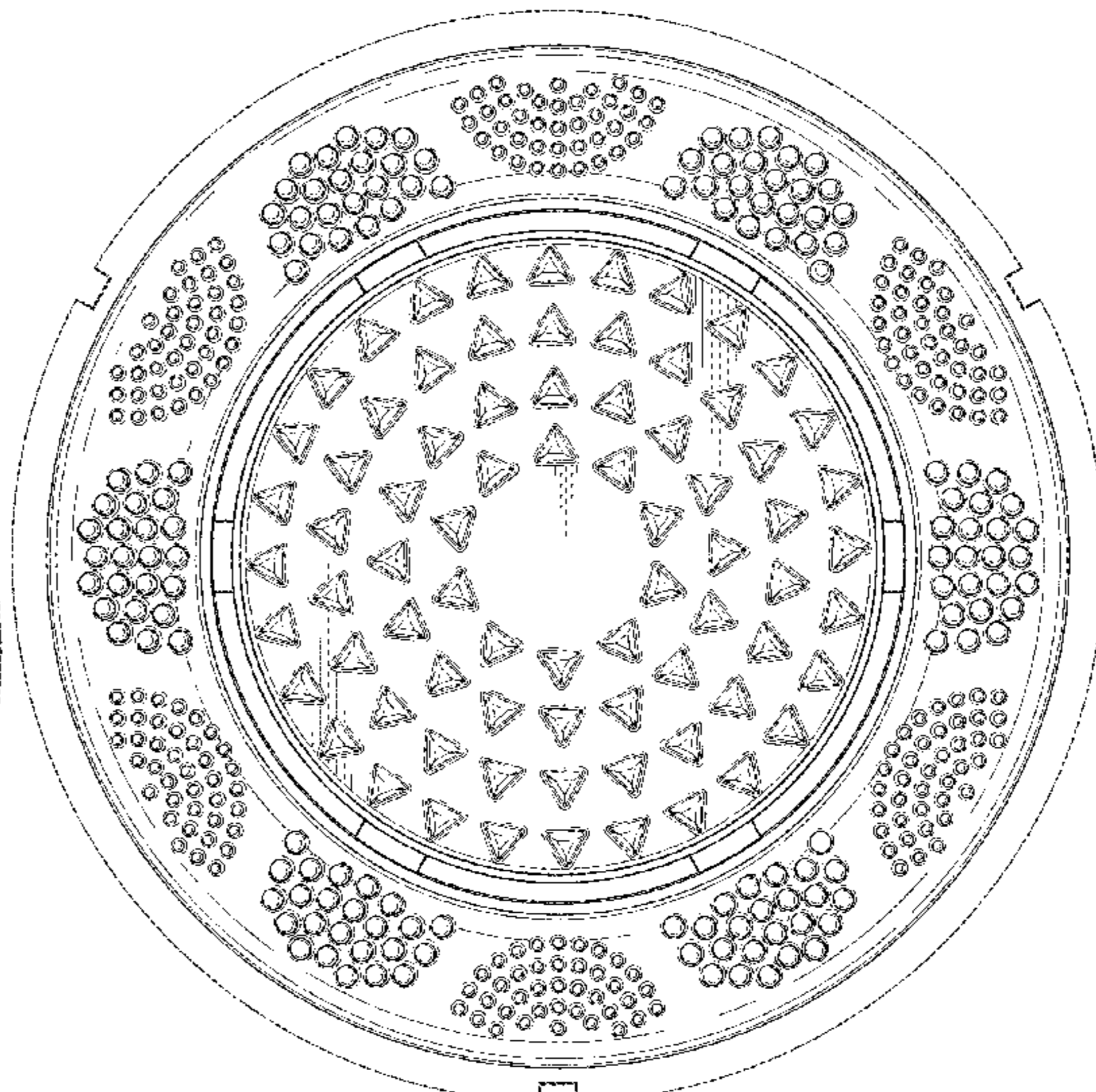
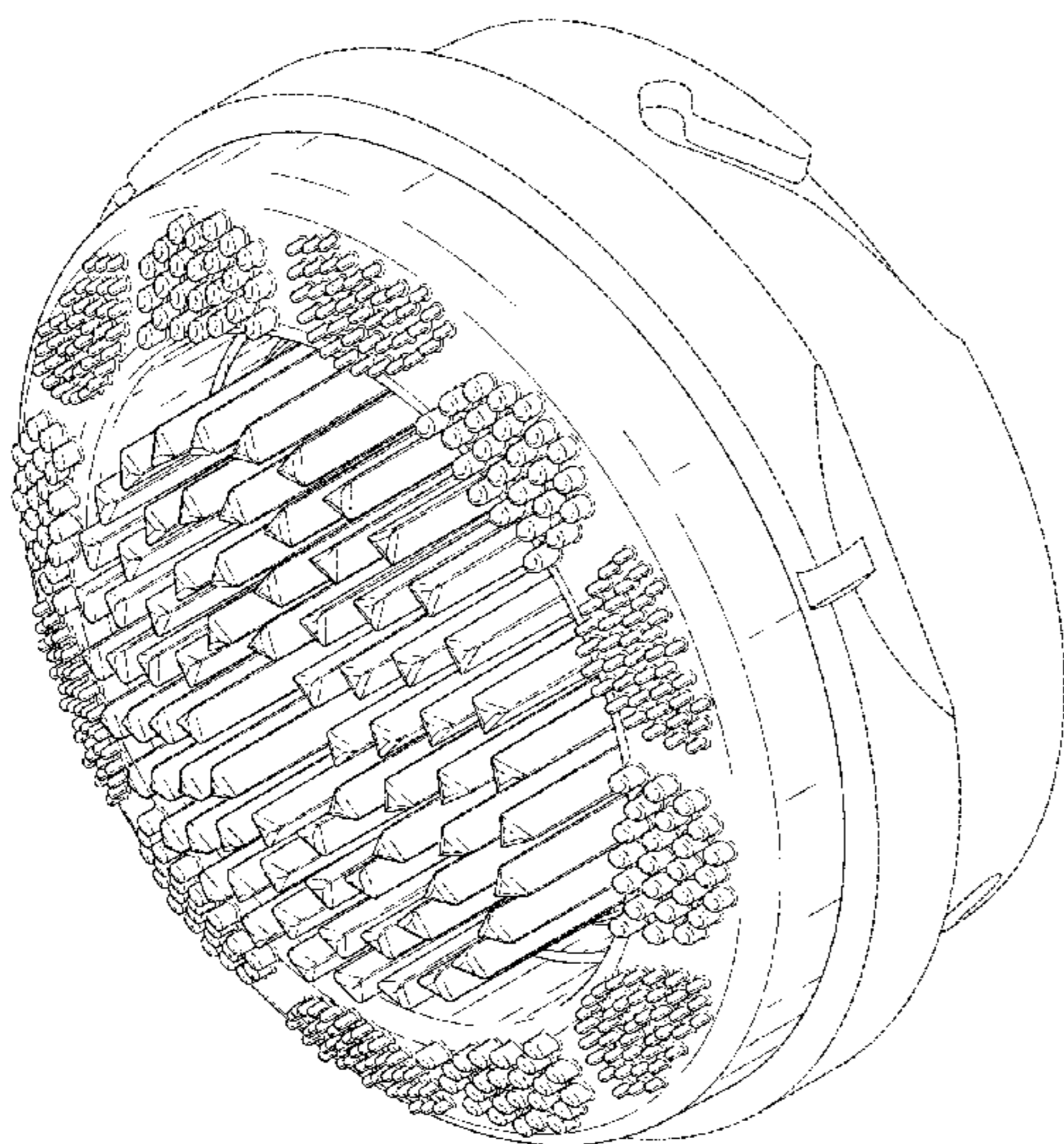
(57) **CLAIM**

The ornamental design for an exfoliation applicator, as shown and described.

**DESCRIPTION**

FIG. 1 is a top front right perspective view of an exfoliation applicator in accordance with our new design;  
FIG. 2 is a front elevation view thereof;  
FIG. 3 is a rear elevation view thereof;  
FIG. 4 is a top plan view thereof;  
FIG. 5 is a bottom plan view thereof;  
FIG. 6 is a left side elevation view thereof;  
FIG. 7 is a right side elevation view thereof; and,  
FIG. 8 is a top rear right perspective view thereof.  
The broken lines shown in the drawings illustrate portions of the exfoliation applicator that form no part of the claimed design.

**1 Claim, 7 Drawing Sheets**



(56)

**References Cited**

U.S. PATENT DOCUMENTS

2017/0150851 A1\* 6/2017 Sueyoshi ..... A46B 9/02  
2018/0098615 A1\* 4/2018 George ..... A45D 40/262  
2019/0029411 A1\* 1/2019 Brewer ..... A46B 15/001

OTHER PUBLICATIONS

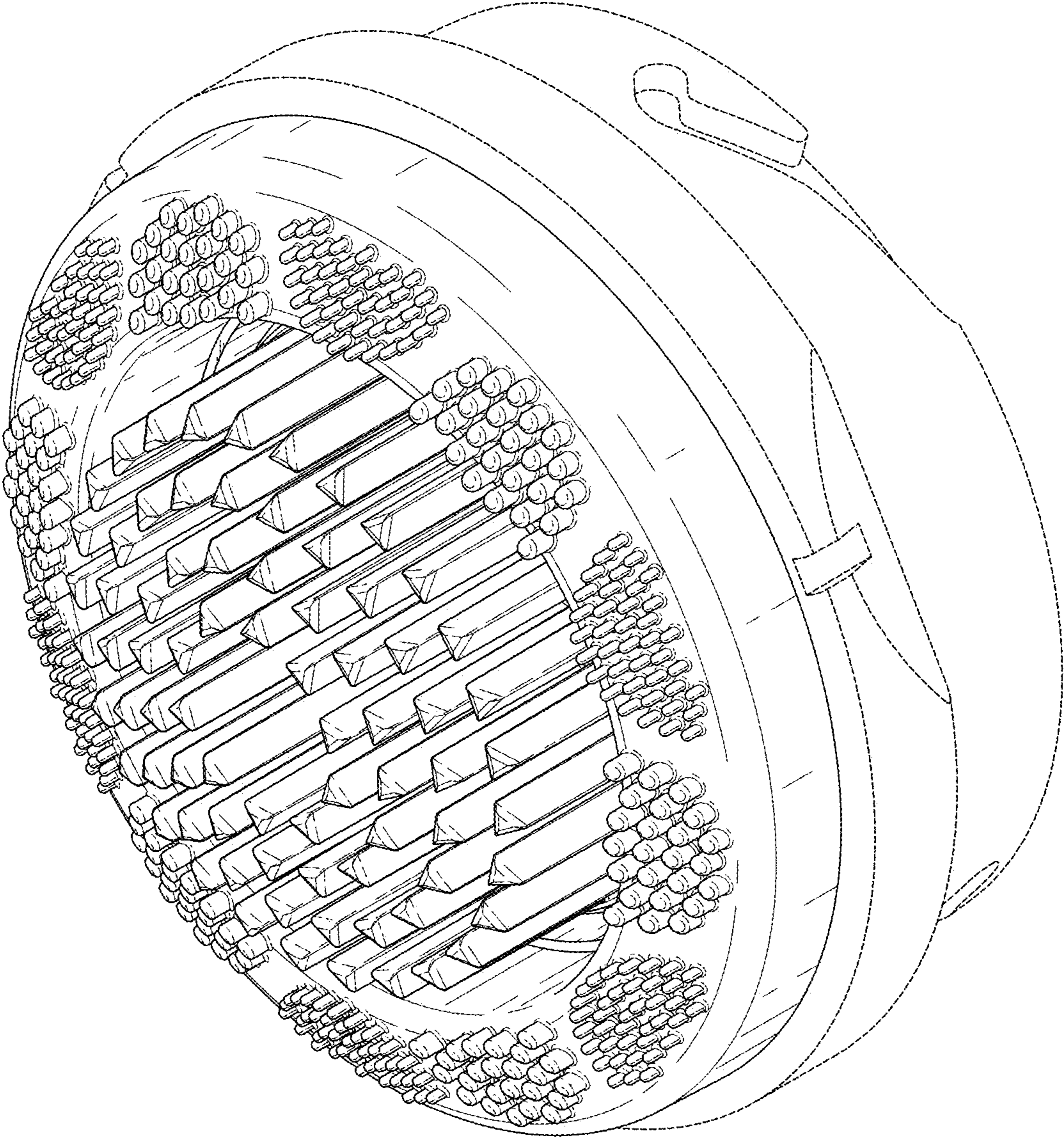
Mia Prima Sonic Facial Cleansing Brush—Clarisonic [on-line]. Available at least as early as Apr. 21, 2019; retrieved from the Internet May 3, 2019. URL: <<https://web.archive.org/web/20190421061531/https://www.clarisonic.com/face-brushes/mia-prima-sonic-facial-cleansing-brush/CL420.html>>. (7 pages) (Year: 2019).\*

Screen shots of Clarisonic facial cleansing brush in the article, “The Future of Beauty is Here—Mia Smart” [on-line]. Published Aug. 10, 2018, retrieved May 3, 2019. URL: <<https://www.youtube.com/watch?v=rQd3VwAQdT0>>. (9 pages) (Year: 2018).\*

Mia Prima facial brush detachable brush heads by Clarisonic [on-line]. Published Apr. 21, 2019; retrieved from the Internet May 3, 2019. URL: <<https://web.archive.org/web/20190421061531/https://www.clarisonic.com/face-brushes/mia-prima-sonic-facial-cleansing-brush/CL420.html>>. (Year: 2019).\*

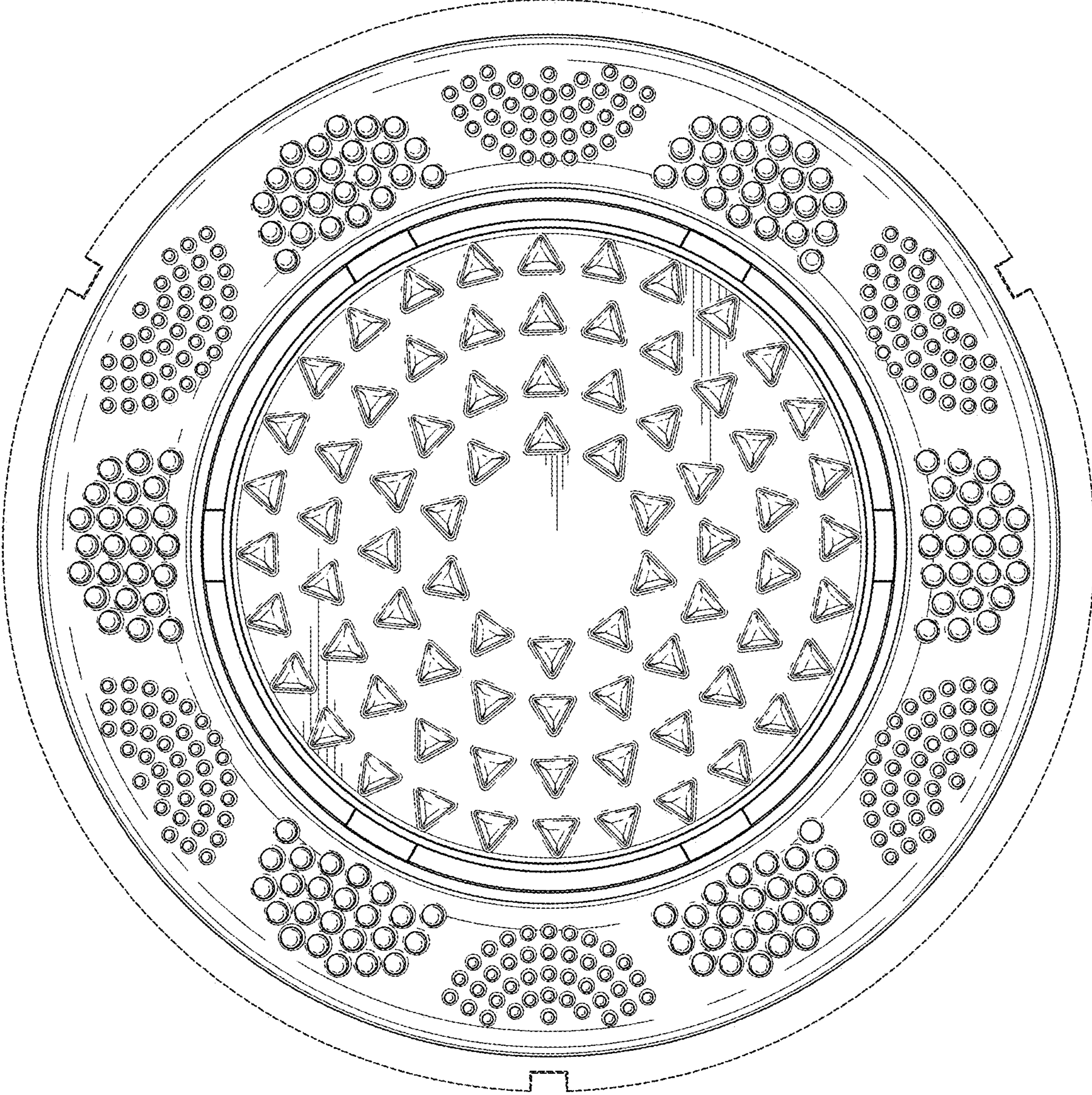
\* cited by examiner



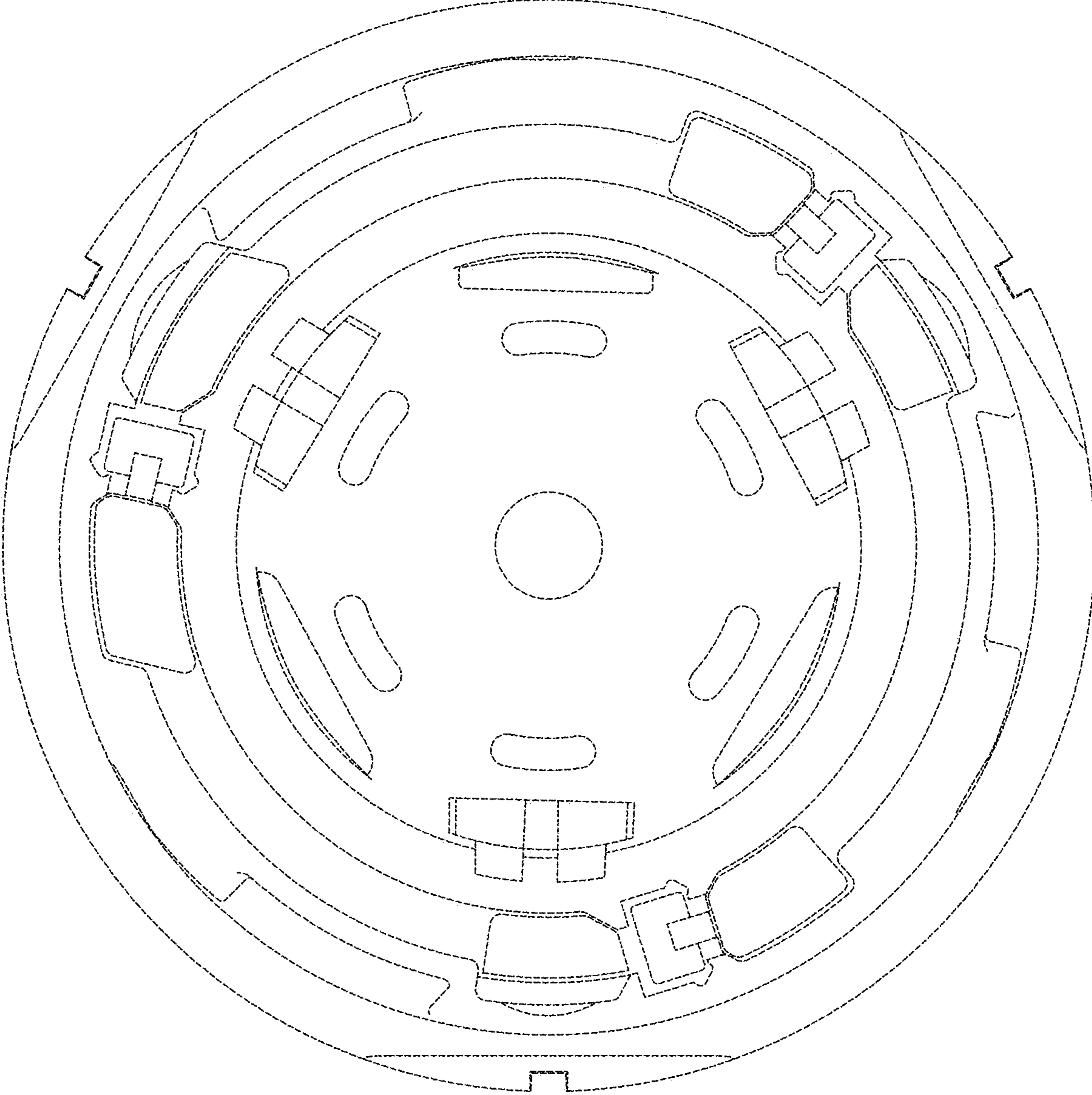


*Fig. 1.*



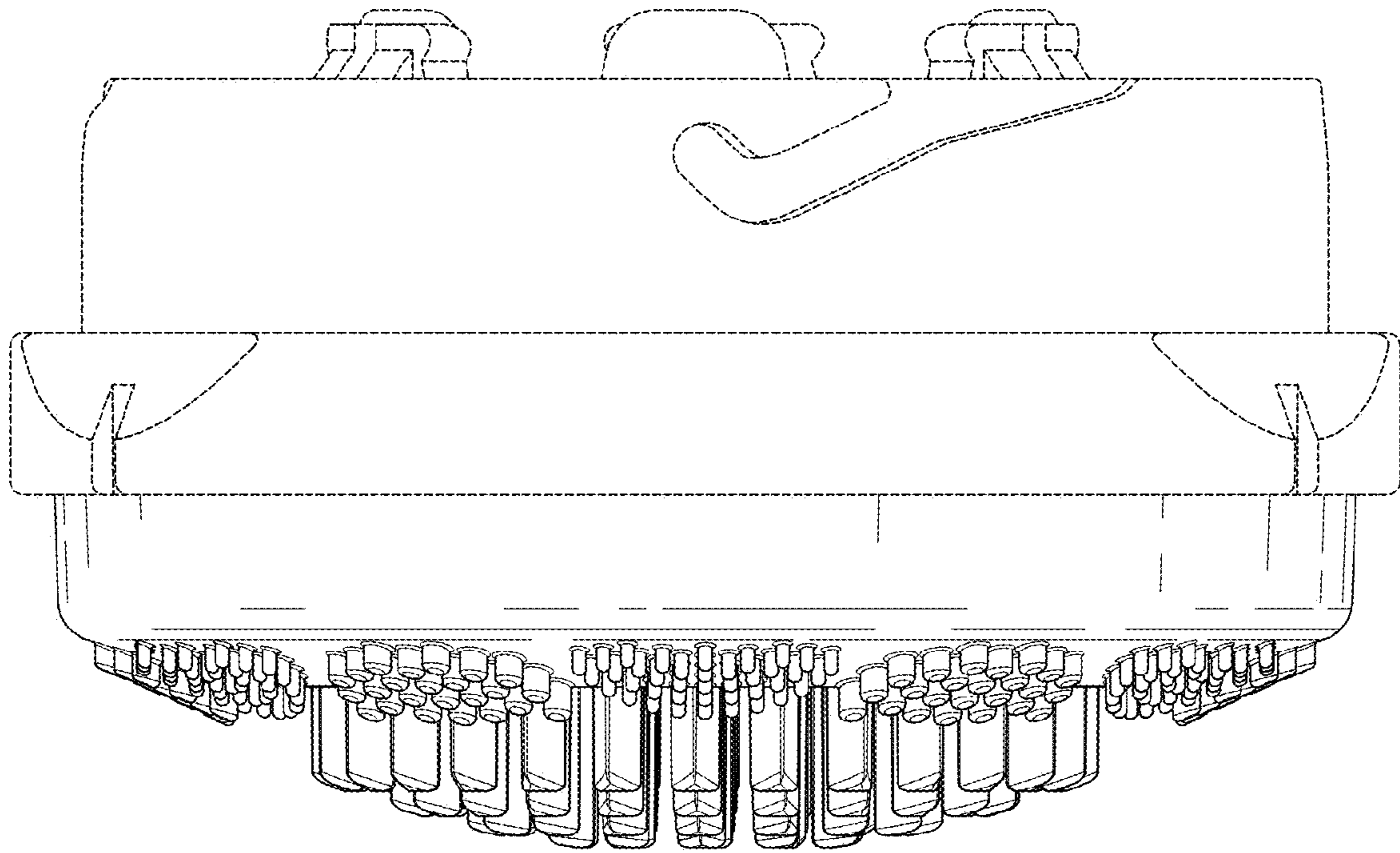


*Fig. 2.*

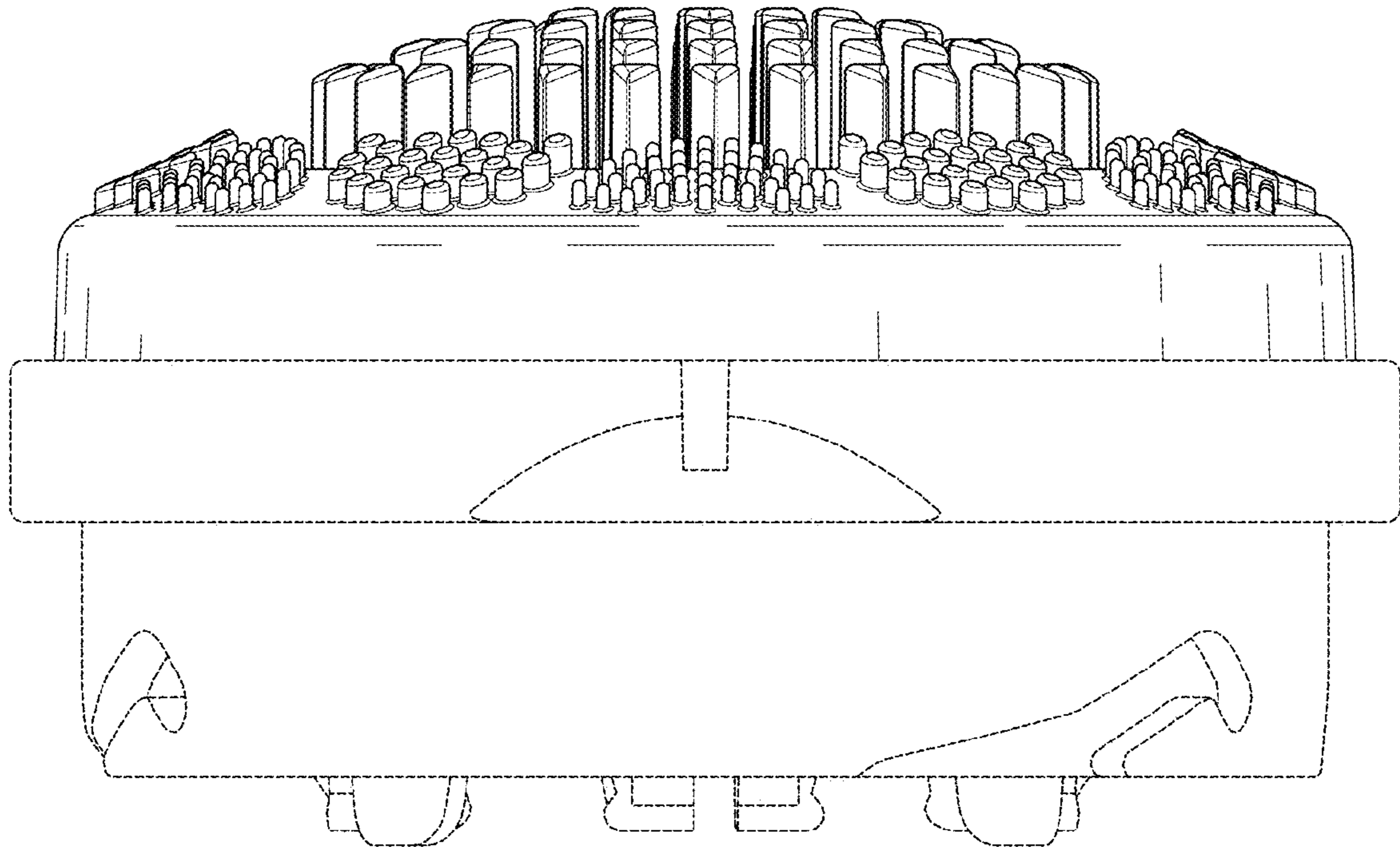


*Fig. 3.*

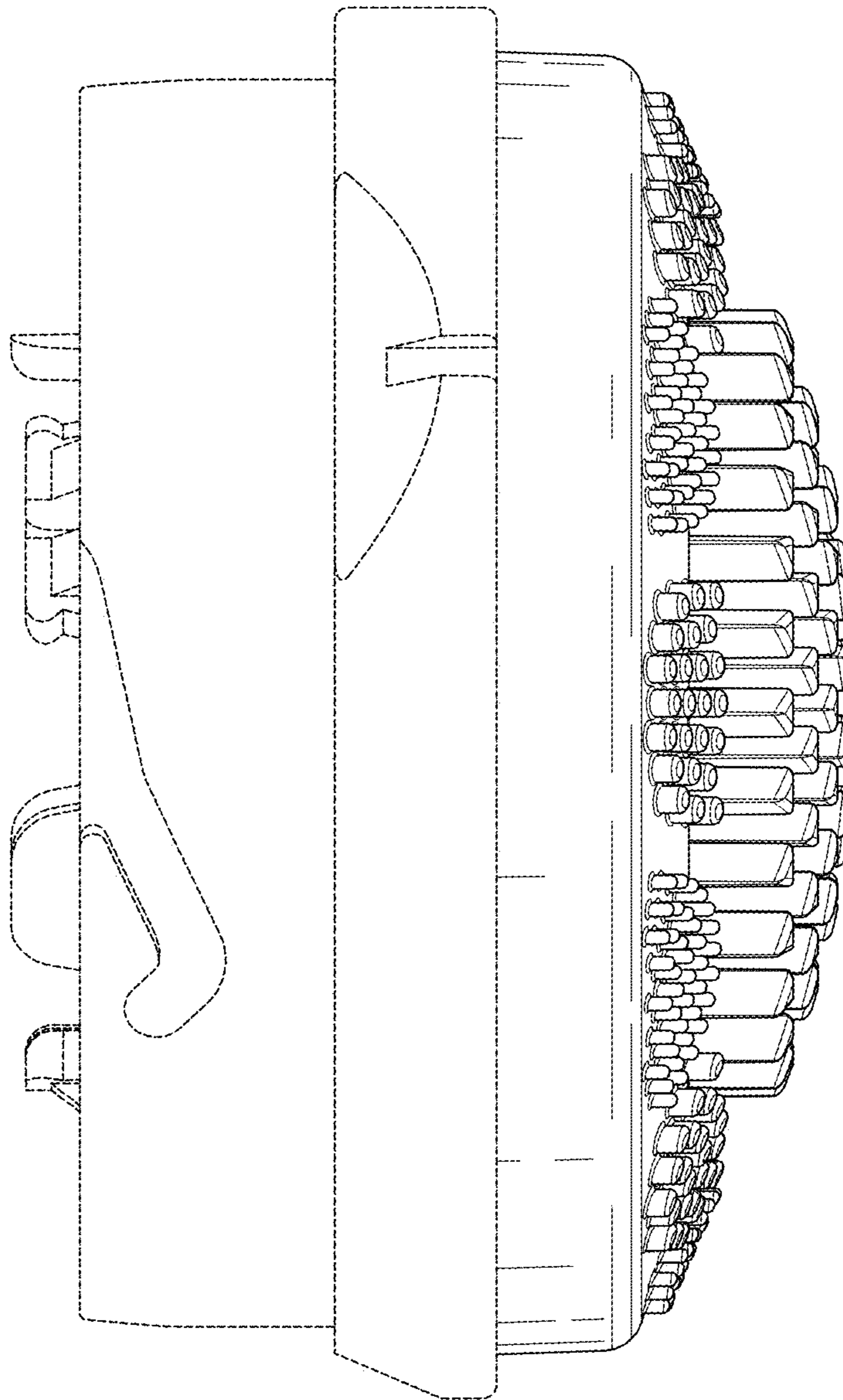




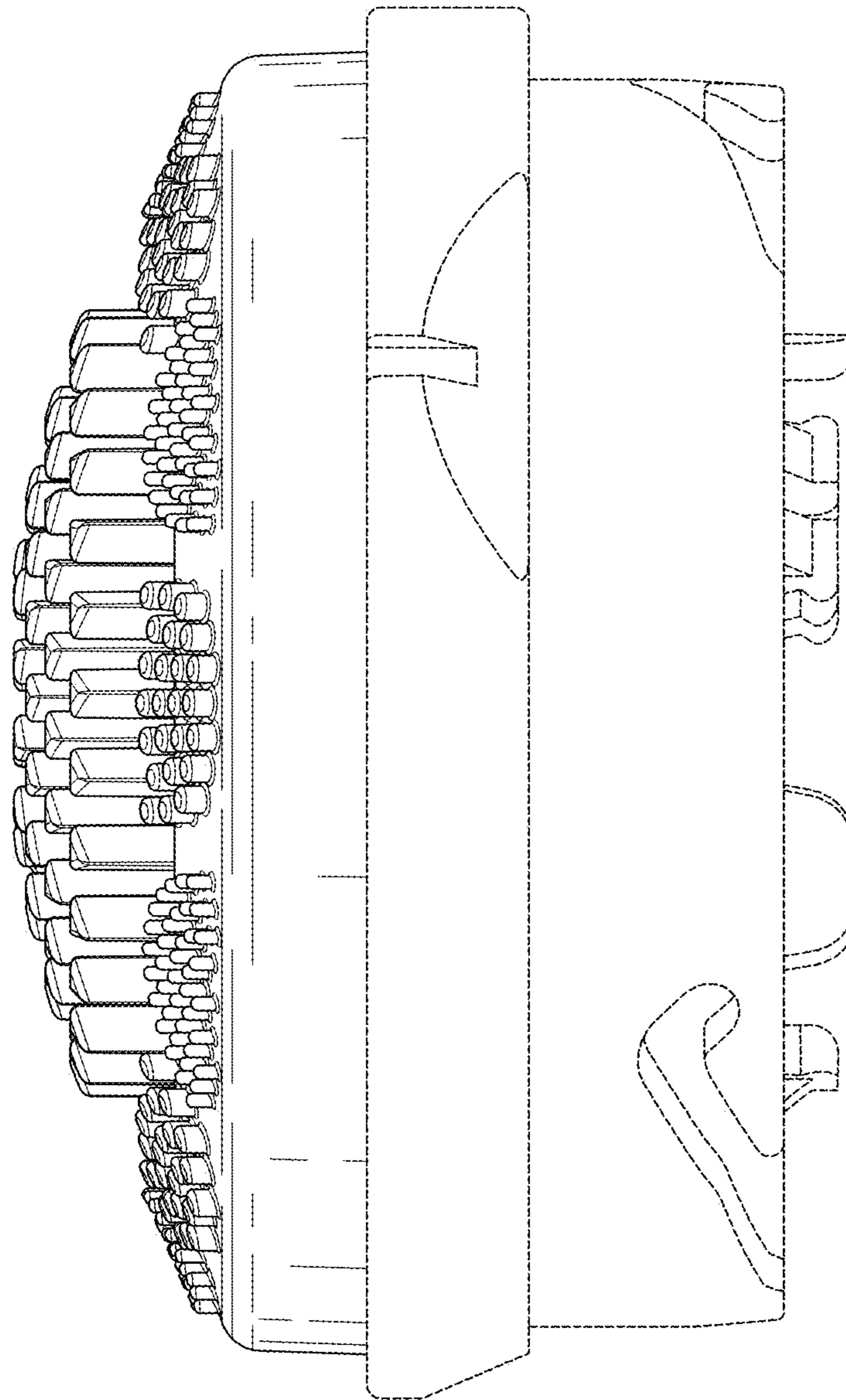
*Fig. 4.*



*Fig. 5.*

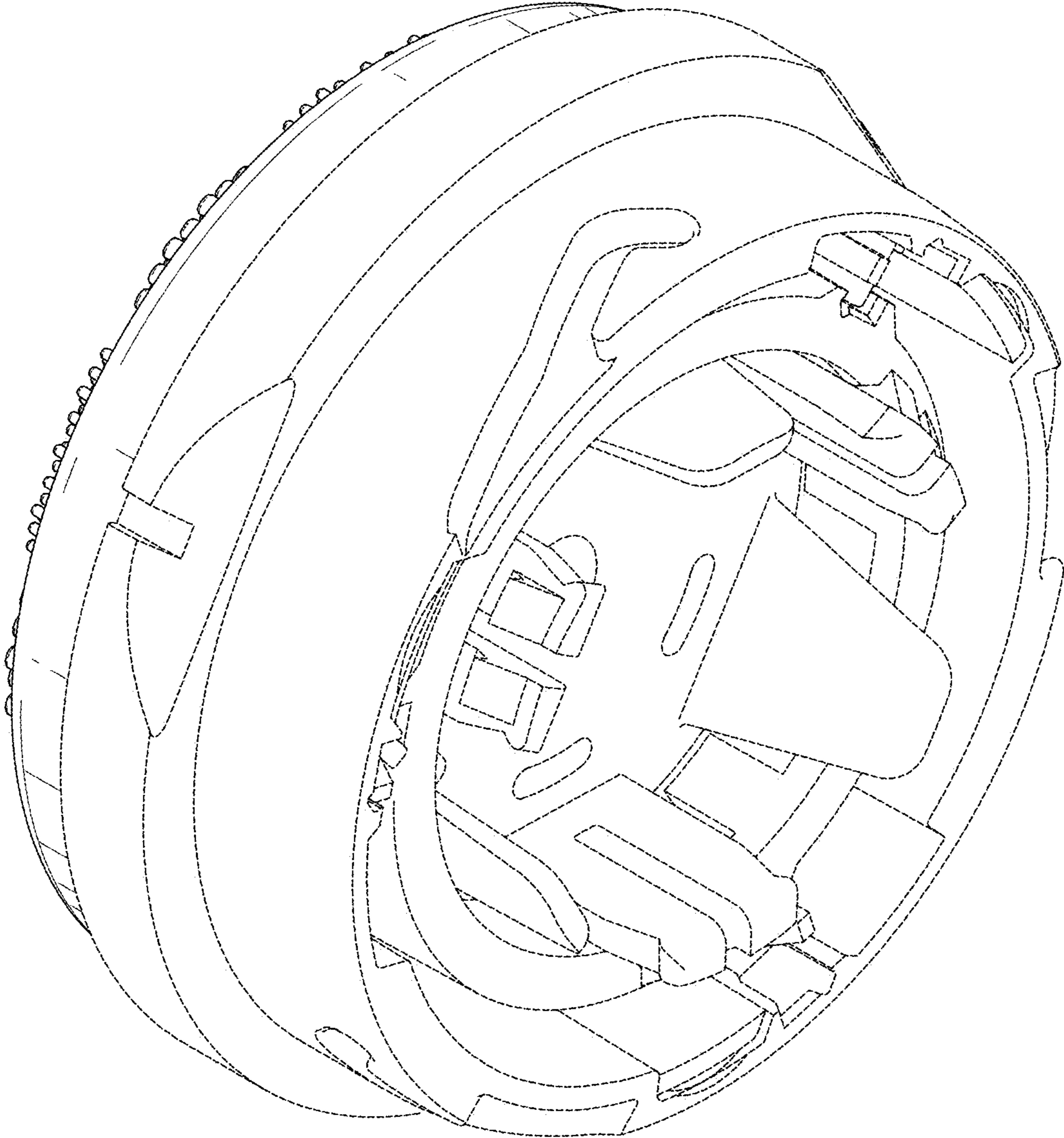


*Fig. 6.*



*Fig. 7.*





*Fig. 8.*