



US00D871768S

(12) **United States Design Patent**
Tian

(10) **Patent No.:** **US D871,768 S**

(45) **Date of Patent:** **** Jan. 7, 2020**

(54) **STRAP PAD**

D711,109 S * 8/2014 Stegmeyer D3/327
D766,579 S * 9/2016 Stegmeyer A45F 3/12
D3/327

(71) Applicant: **Ruiyang Tian**, Lebanon, NH (US)

* cited by examiner

(72) Inventor: **Ruiyang Tian**, Lebanon, NH (US)

Primary Examiner — Holly H Baynham

(**) Term: **15 Years**

(74) *Attorney, Agent, or Firm* — Yi Zhang

(21) Appl. No.: **29/668,889**

(22) Filed: **Nov. 2, 2018**

(57) **CLAIM**

Related U.S. Application Data

The ornamental design for a strap pad, as shown and described.

(63) Continuation of application No. 15/439,940, filed on Feb. 23, 2017, now Pat. No. 10,154,722.

DESCRIPTION

(51) **LOC (12) Cl.** **03-01**

FIG. 1 is a bottom perspective view of the strap pad, showing my design.

(52) **U.S. Cl.**

FIG. 2 is a top view.

USPC **D3/327**

FIG. 3 is a side view.

(58) **Field of Classification Search**

USPC D3/327

FIG. 4 is a bottom view.

CPC A45F 3/12

See application file for complete search history.

FIG. 5 is an enlarged bottom view of nodules projected from the bottom of the strap pad of FIG. 4; and,

(56) **References Cited**

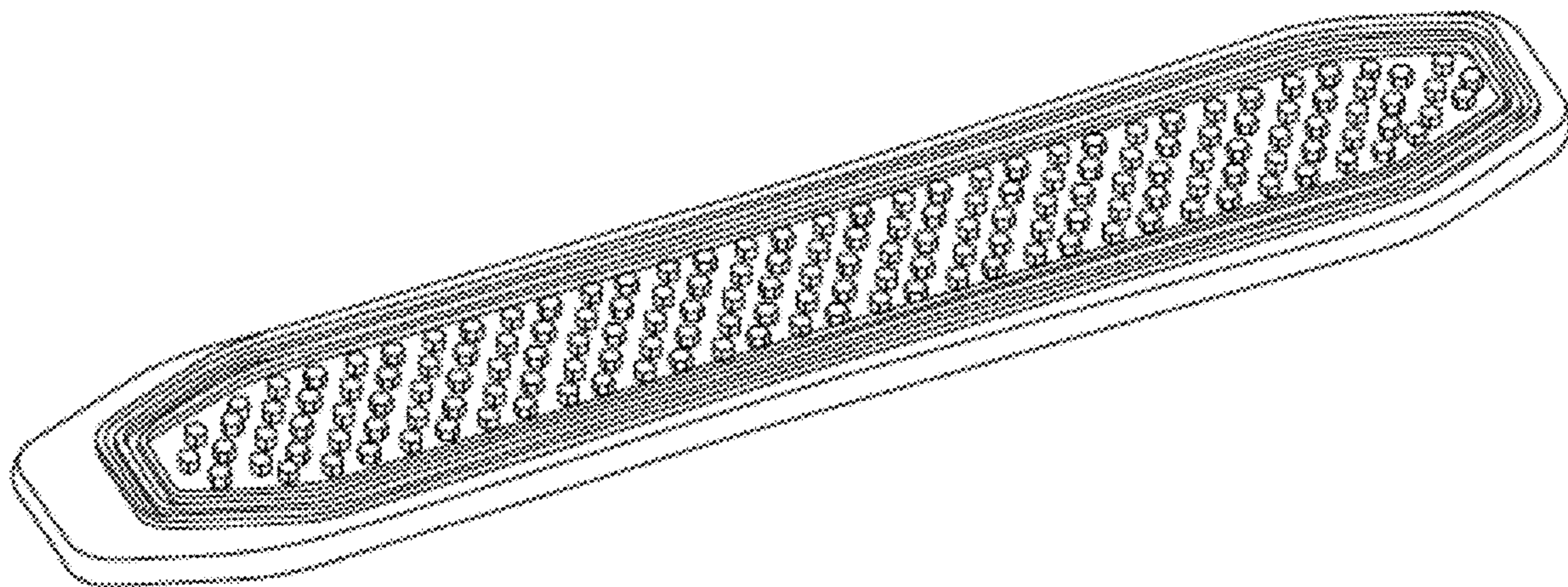
FIG. 6 is an enlarged perspective view of a nodule projected from the bottom of the strap pad of FIG. 4.

U.S. PATENT DOCUMENTS

The views of FIGS. 5-6 are shown enlarged for ease and clarity of illustration.

5,388,743 A * 2/1995 Silagy A45F 3/12
2/268

1 Claim, 4 Drawing Sheets



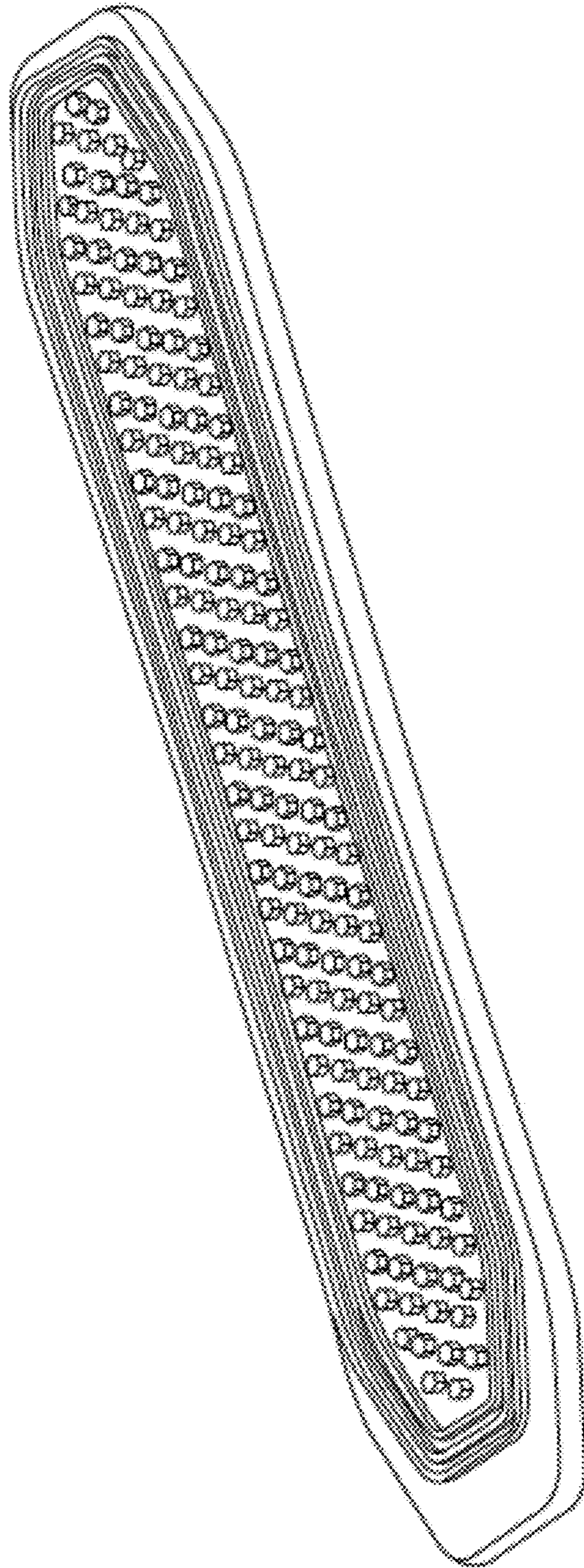


FIG. 1

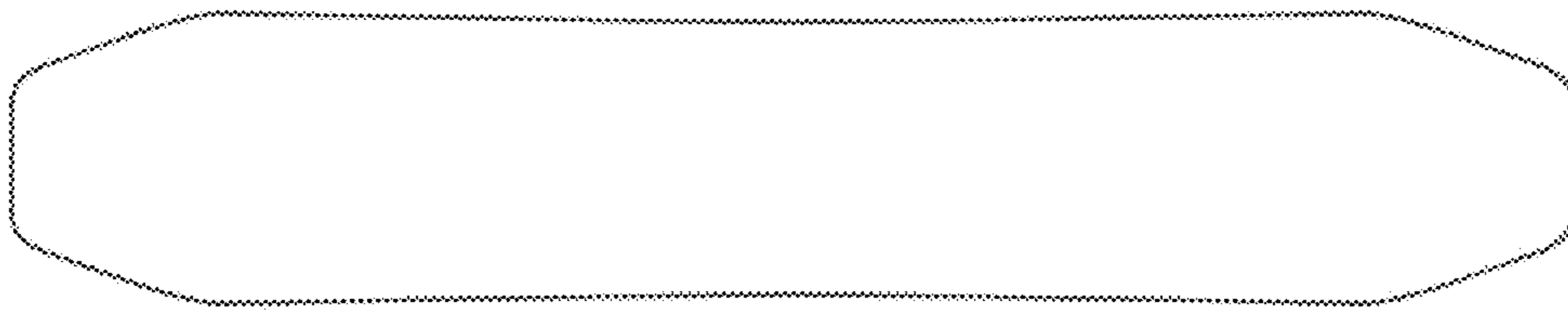


FIG. 2

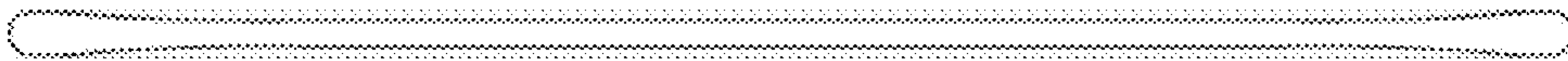


FIG. 3

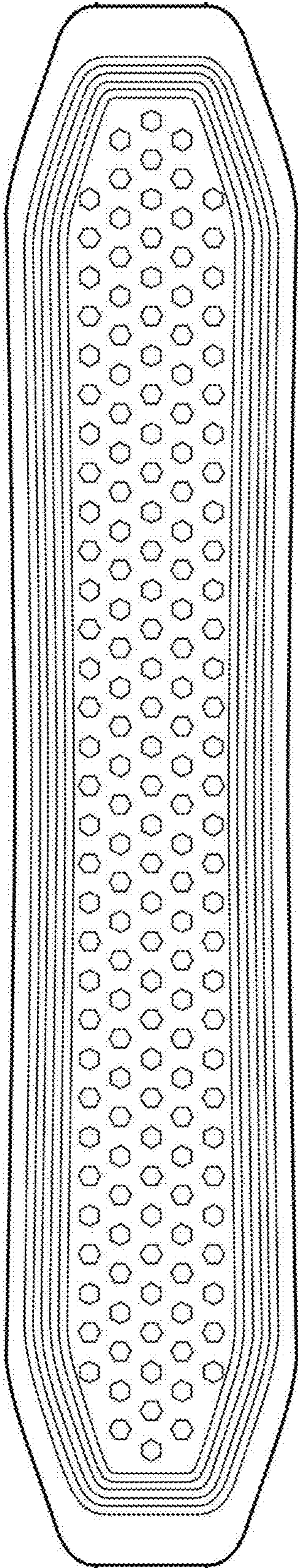


FIG. 4

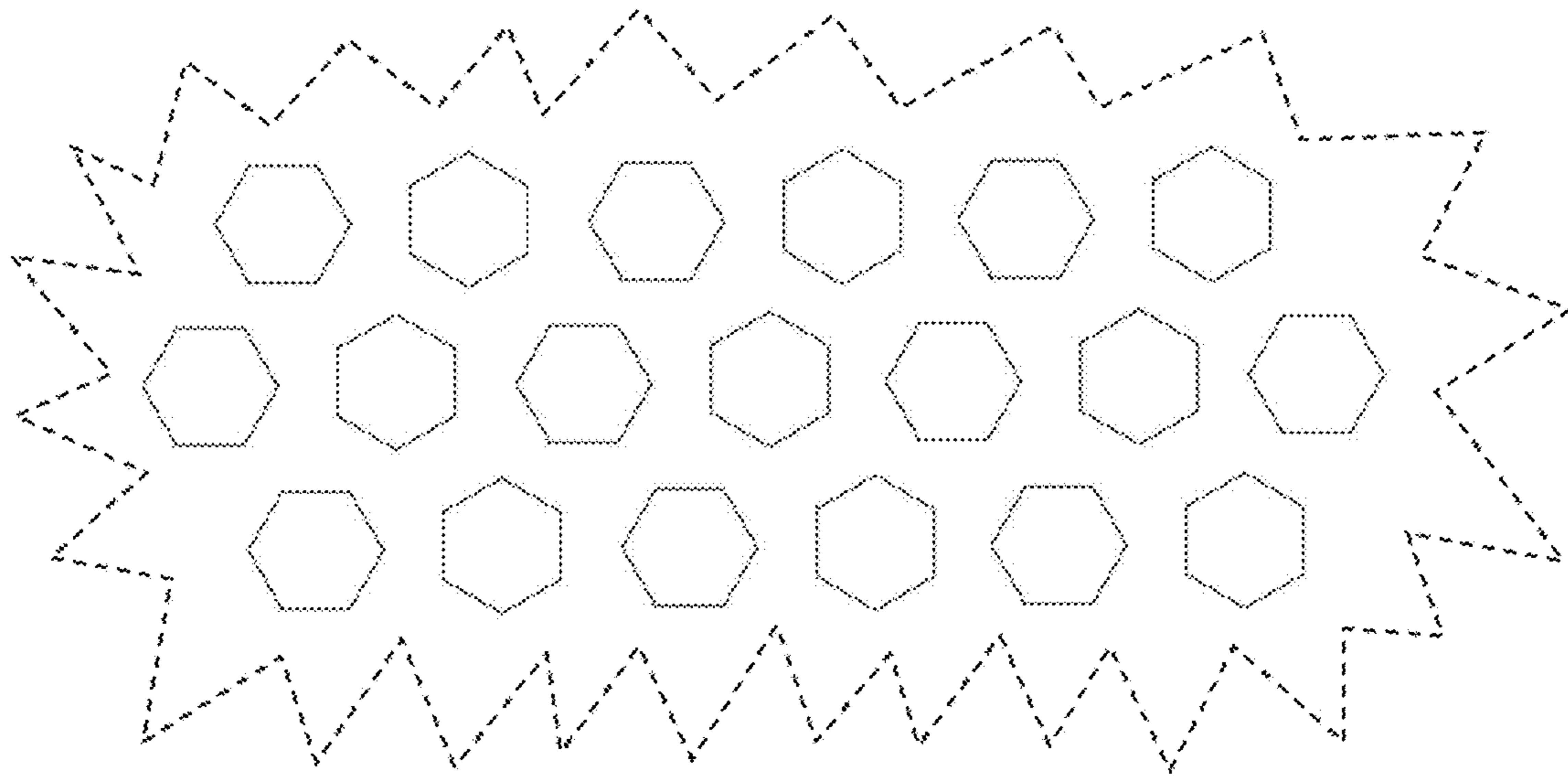


FIG. 5

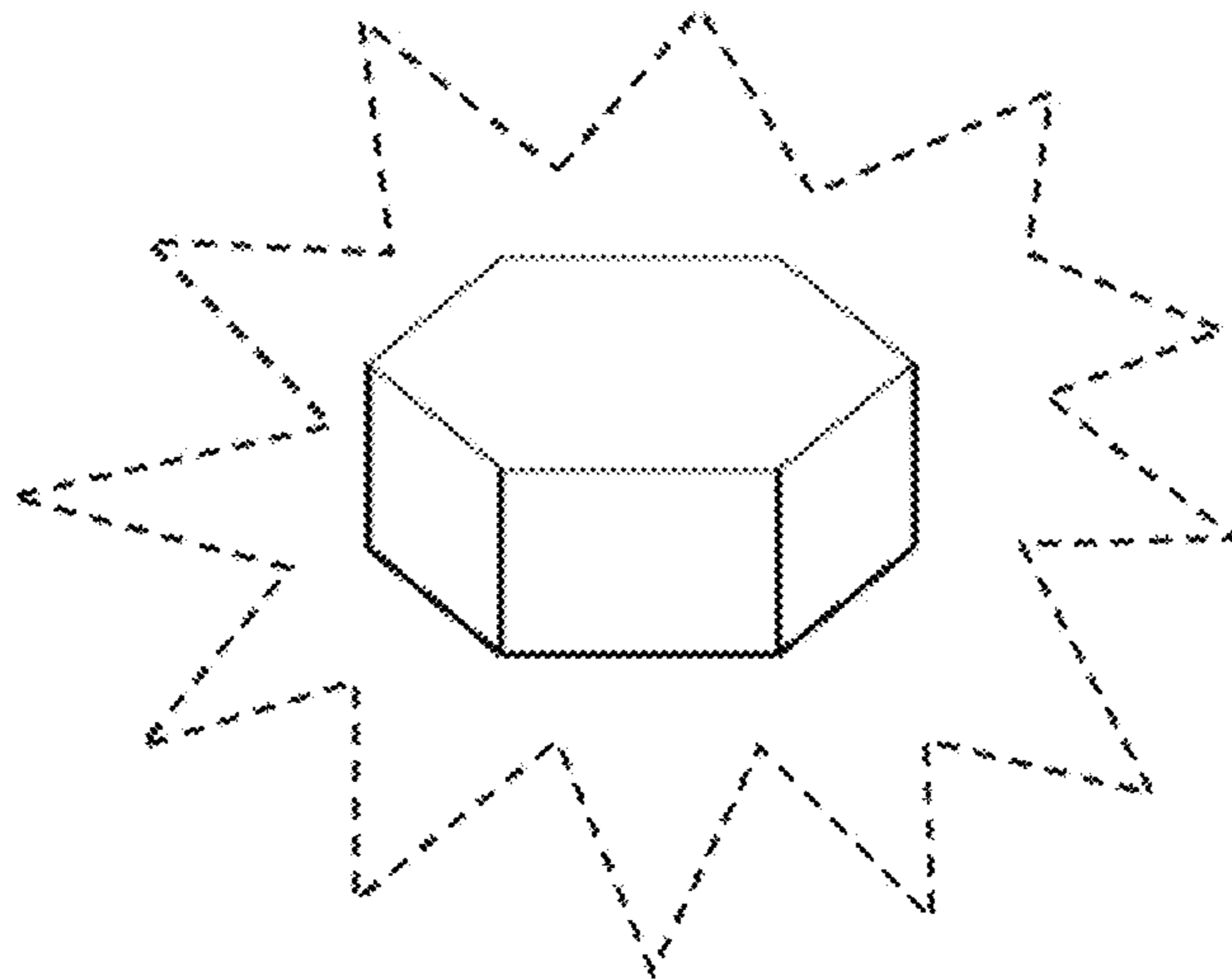


FIG. 6