



US00D871767S

(12) **United States Design Patent**  
**Harrison**

(10) **Patent No.:** **US D871,767 S**

(45) **Date of Patent:** **\*\* Jan. 7, 2020**

(54) **LUGGAGE INTERIOR HAVING  
REMOVABLE BAG**

(71) Applicant: **Renee Harrison**, Prosperity, PA (US)

(72) Inventor: **Renee Harrison**, Prosperity, PA (US)

(\*\*) Term: **15 Years**

(21) Appl. No.: **29/662,305**

(22) Filed: **Sep. 4, 2018**

(51) **LOC (12) Cl.** ..... **03-01**

(52) **U.S. Cl.**  
USPC ..... **D3/319; D3/318**

(58) **Field of Classification Search**  
USPC ..... D3/273, 279, 285, 289, 318, 319  
CPC ..... A45C 13/00; A45C 5/14; A45F 5/10  
See application file for complete search history.

(56) **References Cited**

**U.S. PATENT DOCUMENTS**

D294,757 S *	3/1988	Kahane	.....	D3/244
D338,334 S *	8/1993	Kopel	.....	D3/233
5,329,947 A *	7/1994	Shikler	.....	A45C 11/008
				132/291
D356,886 S *	4/1995	Kopel	.....	D3/233
D358,706 S *	5/1995	Kopel	.....	D3/233
6,079,528 A *	6/2000	Moor	.....	A45C 3/02
				150/128

6,347,706 B1 *	2/2002	D'Ambrosio	.....	A45C 11/20
				206/232
D522,811 S *	6/2006	Martinez	.....	D7/607
D772,569 S *	11/2016	Tappeiner	.....	D3/247

\* cited by examiner

*Primary Examiner* — Holly H Baynham

(74) *Attorney, Agent, or Firm* — Mitchell Law PLLC;  
Matthew W. Mitchell

(57) **CLAIM**

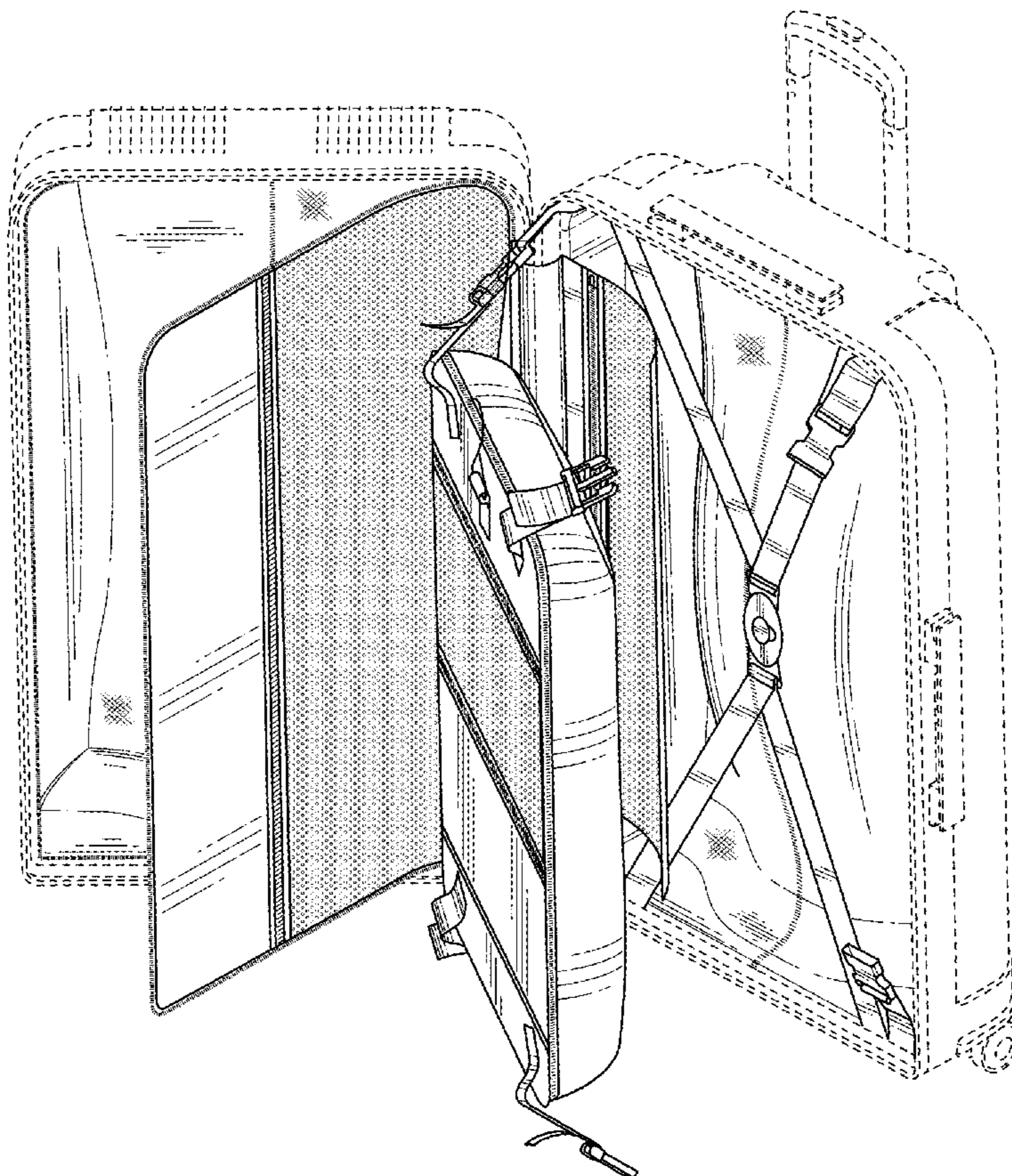
The ornamental design for a luggage interior having removable bag, as shown and described.

**DESCRIPTION**

FIG. 1 is a first isometric view of the luggage interior having removable bag of the present invention; FIG. 2 is a second isometric view thereof; FIG. 3 is a third isometric view thereof; FIG. 4 is a fourth isometric view thereof; FIG. 5 is a fifth isometric view thereof; FIG. 6 is a sixth isometric view thereof; FIG. 7 is seventh isometric view thereof; FIG. 8 is a top plan thereof; and, FIG. 9 is bottom plan view thereof.

The broken lines showing the luggage exterior illustrate portions of the article that form no part of the claimed design.

**1 Claim, 9 Drawing Sheets**





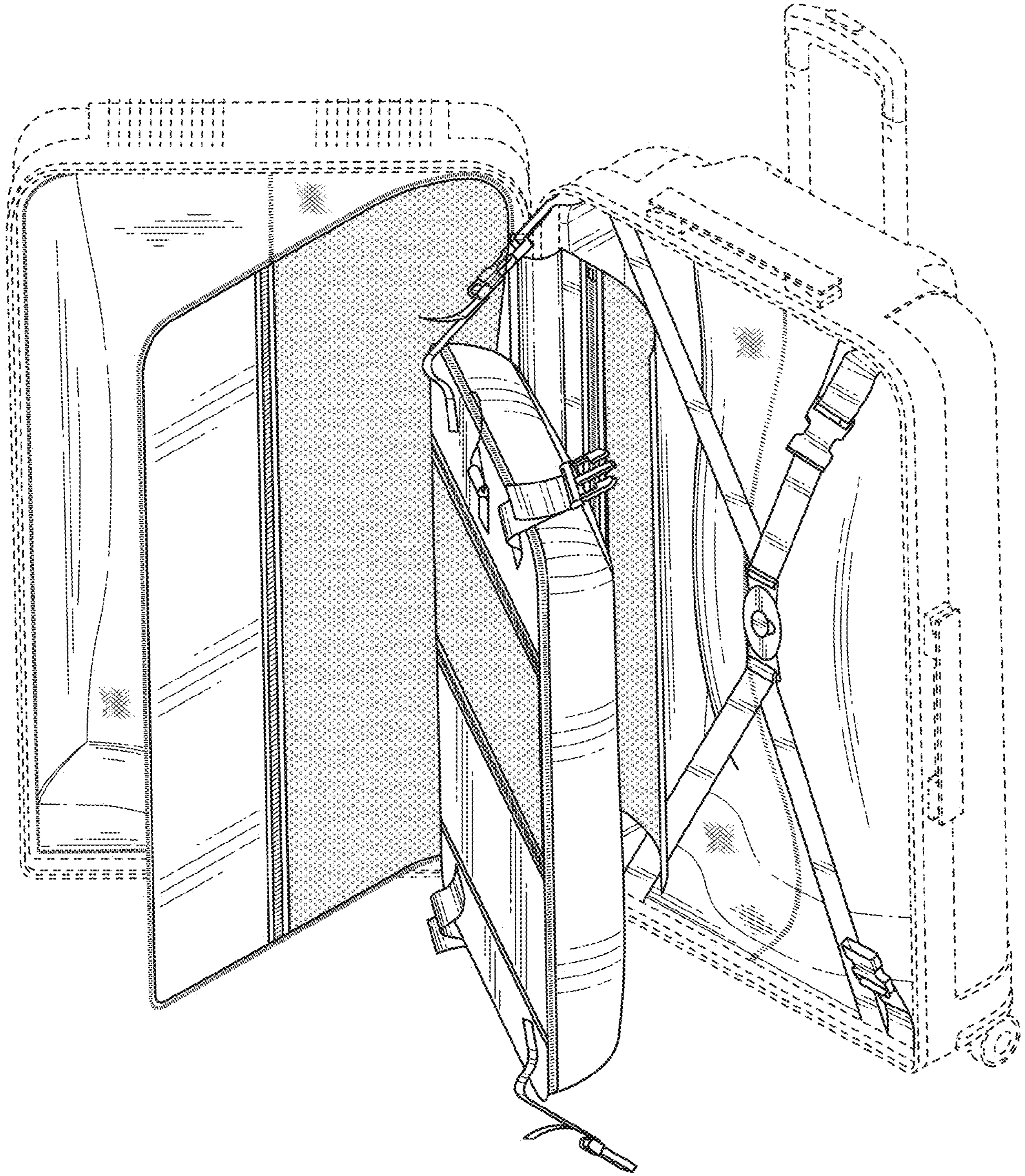


FIG. 1



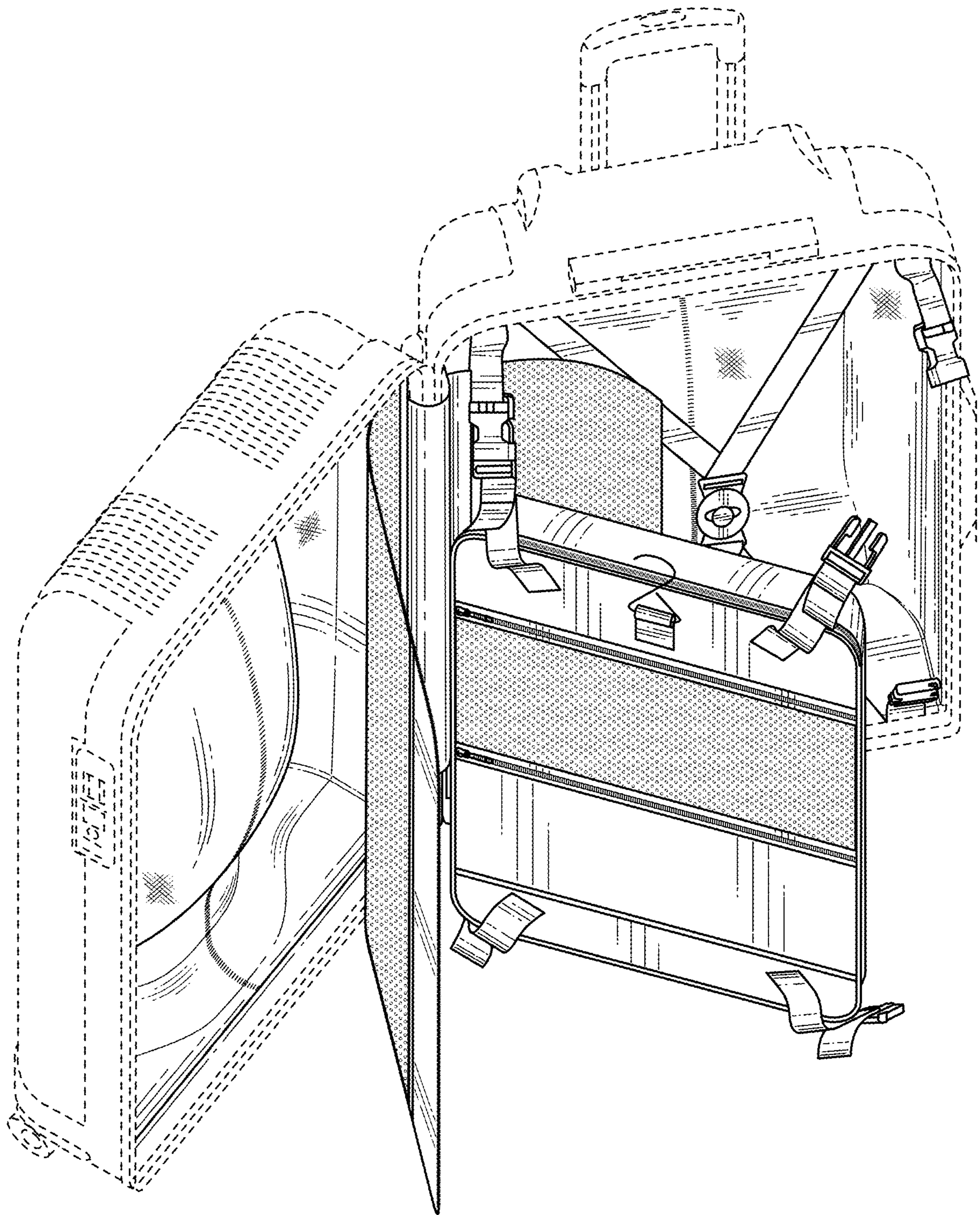


FIG. 2

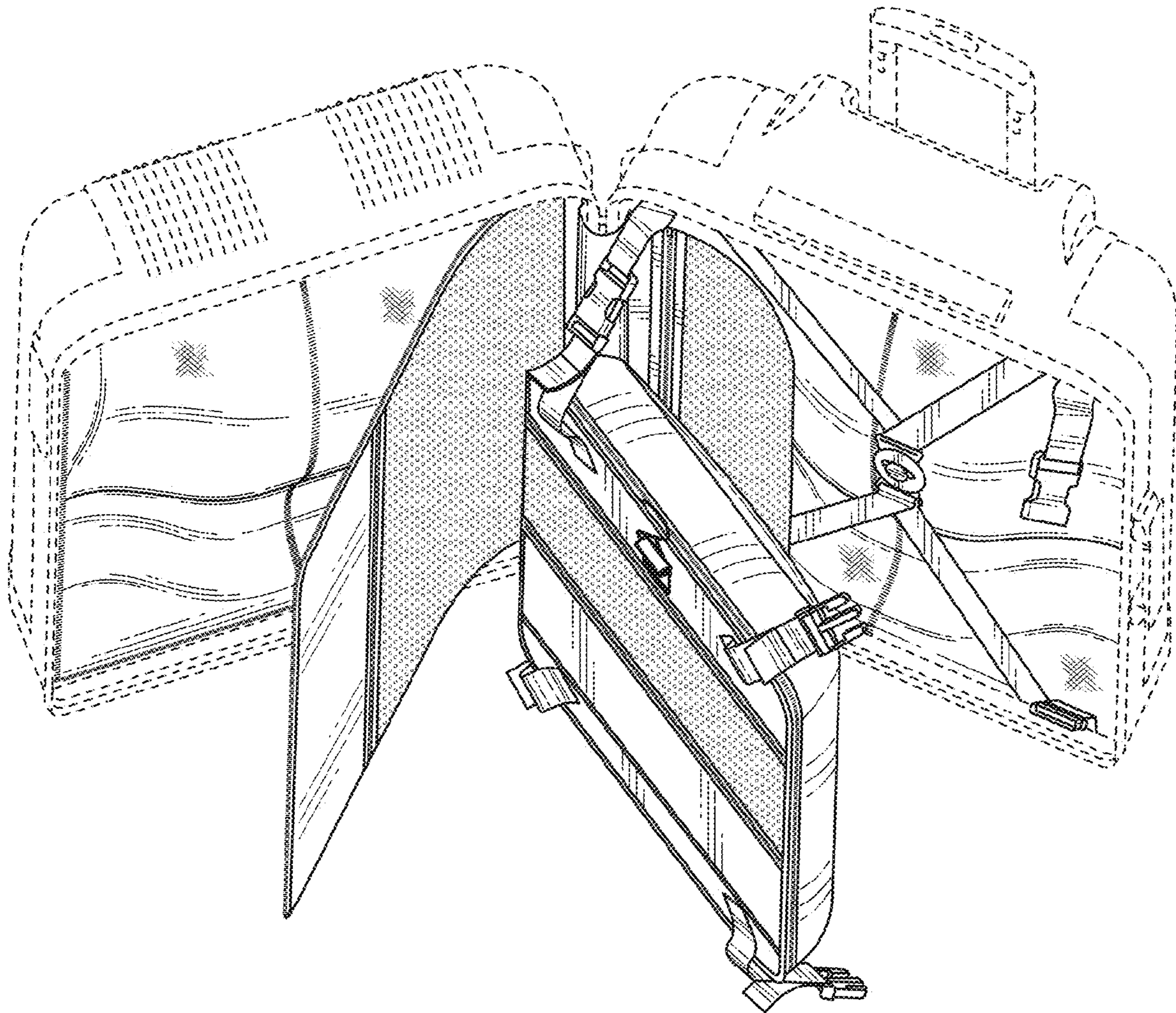


FIG. 3



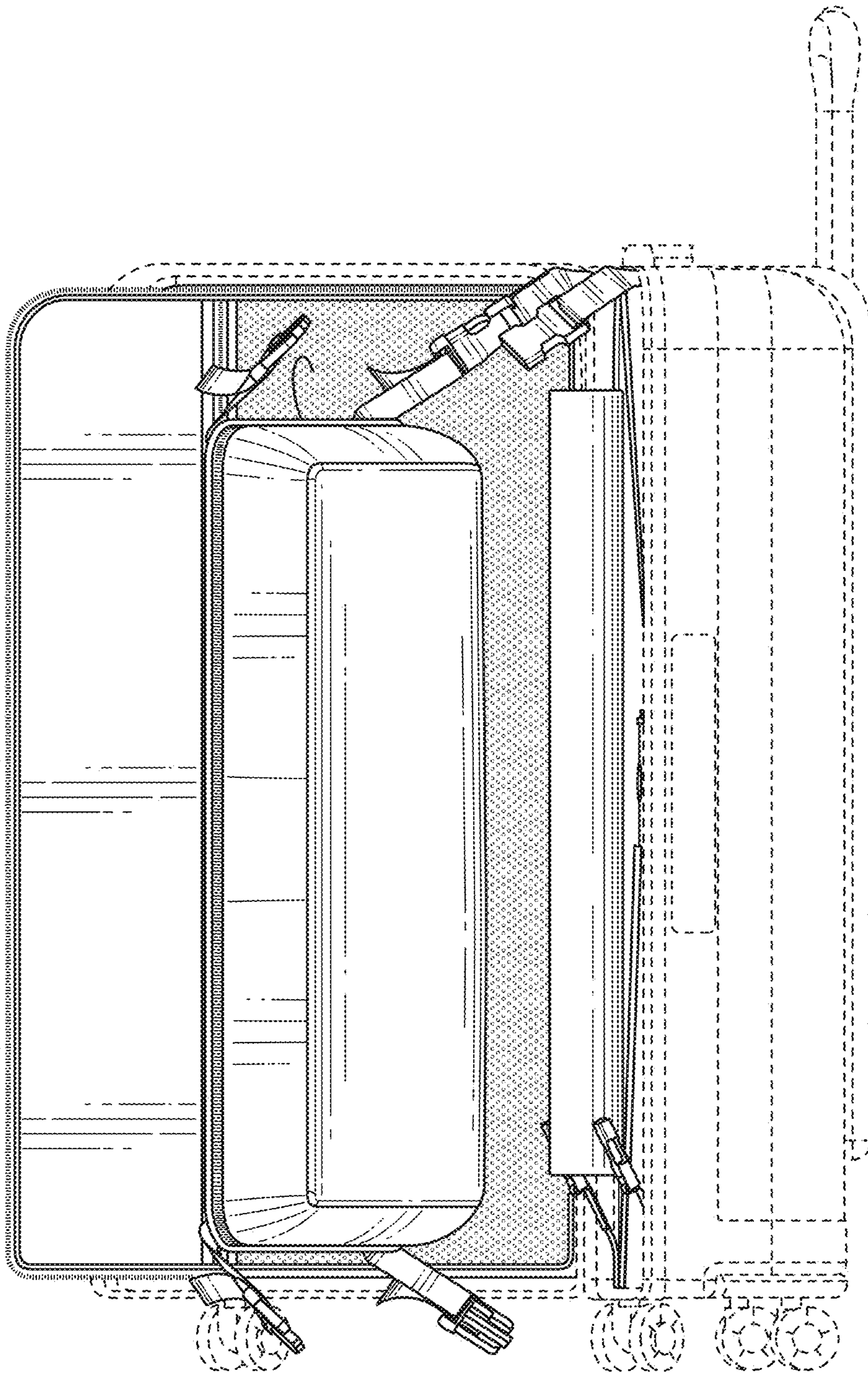


FIG. 4



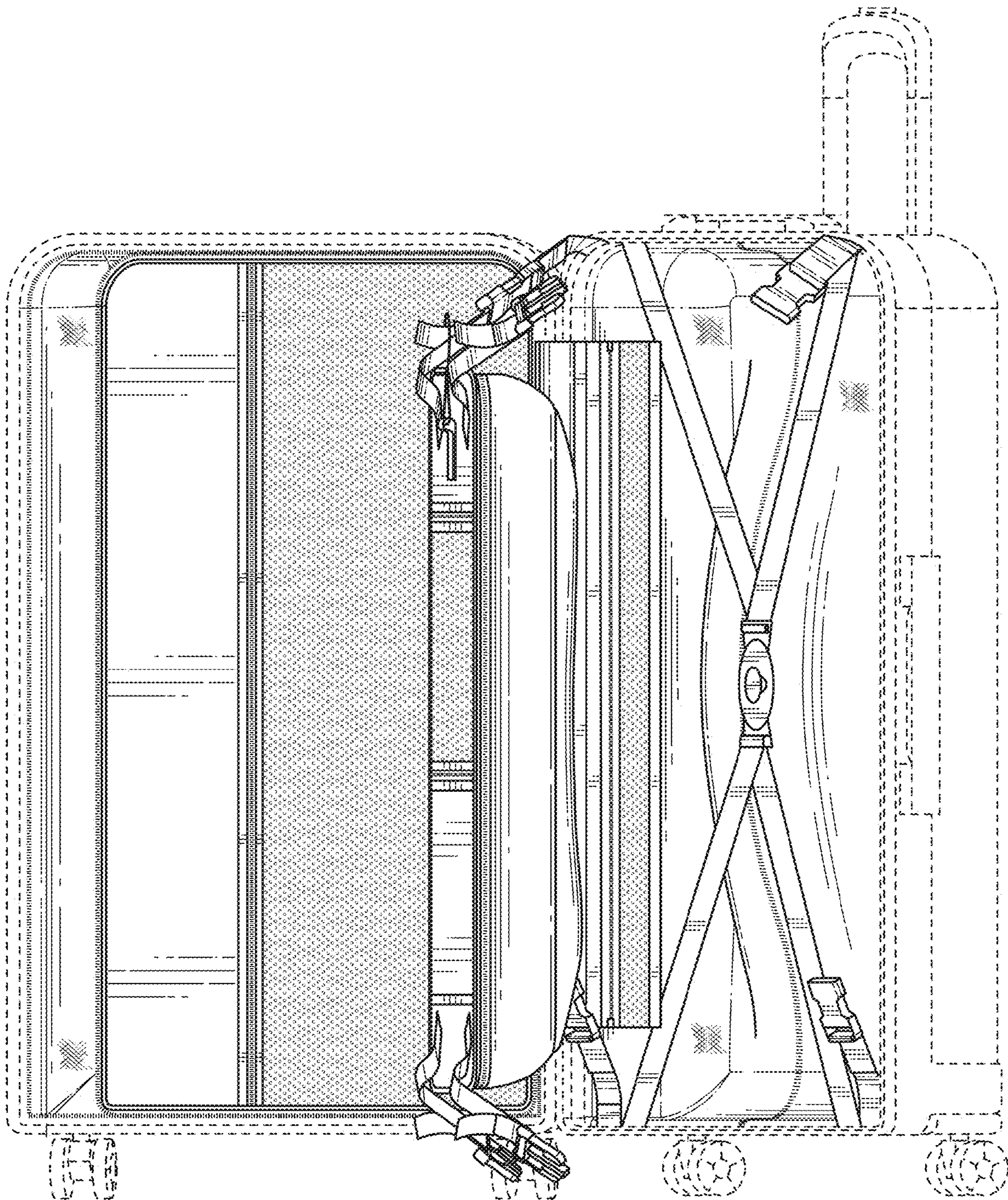


FIG. 5



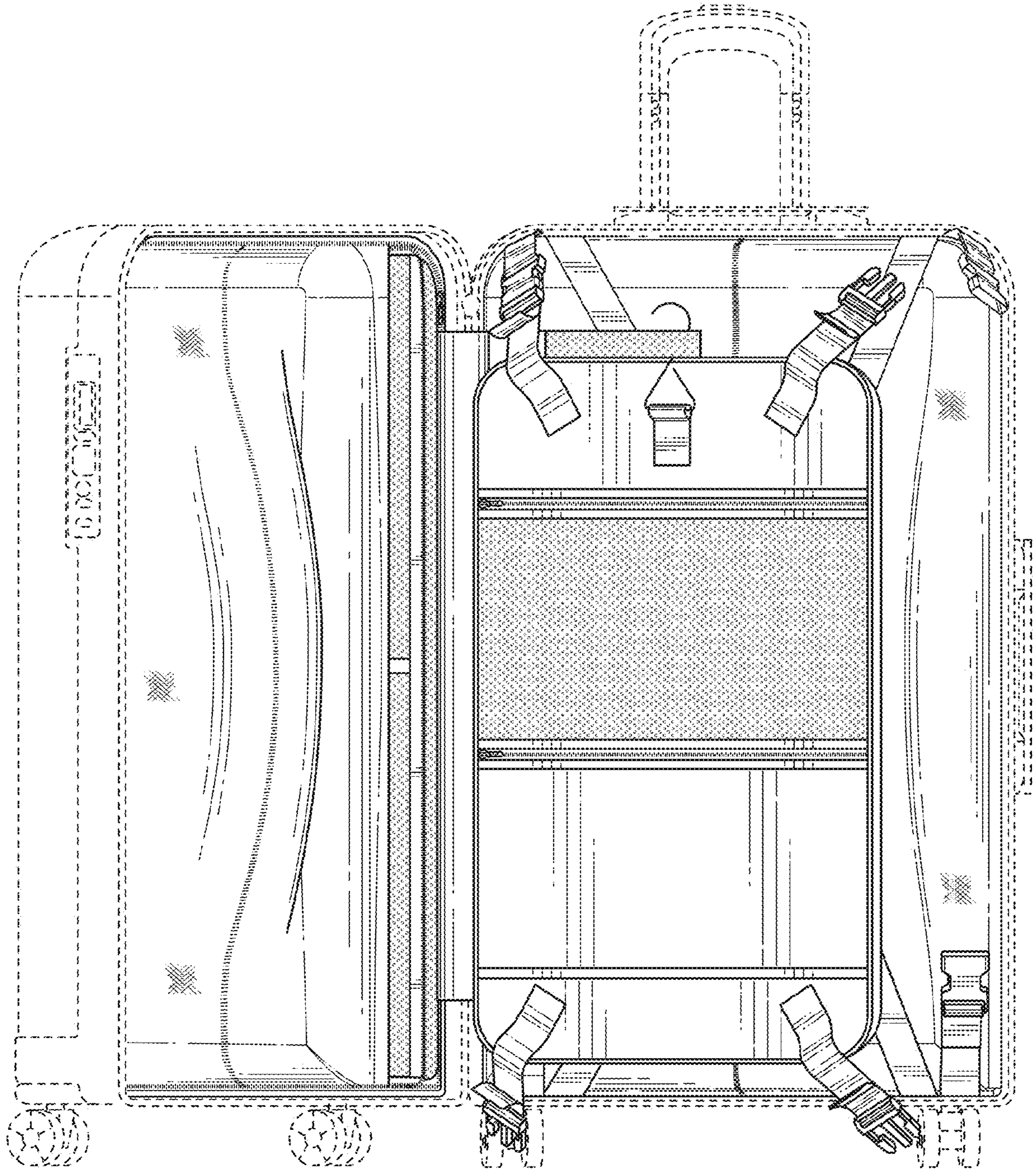


FIG. 6



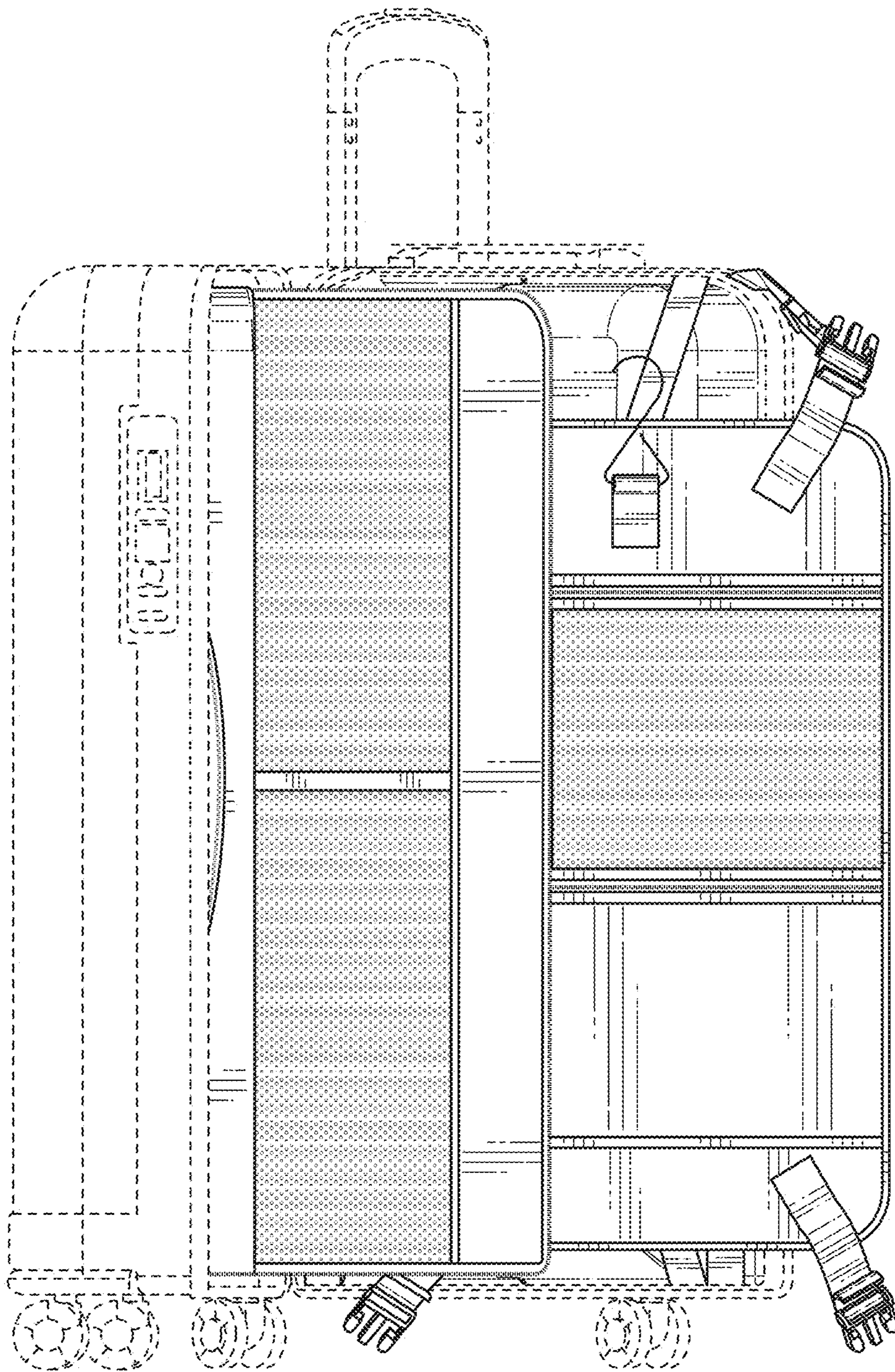


FIG. 7



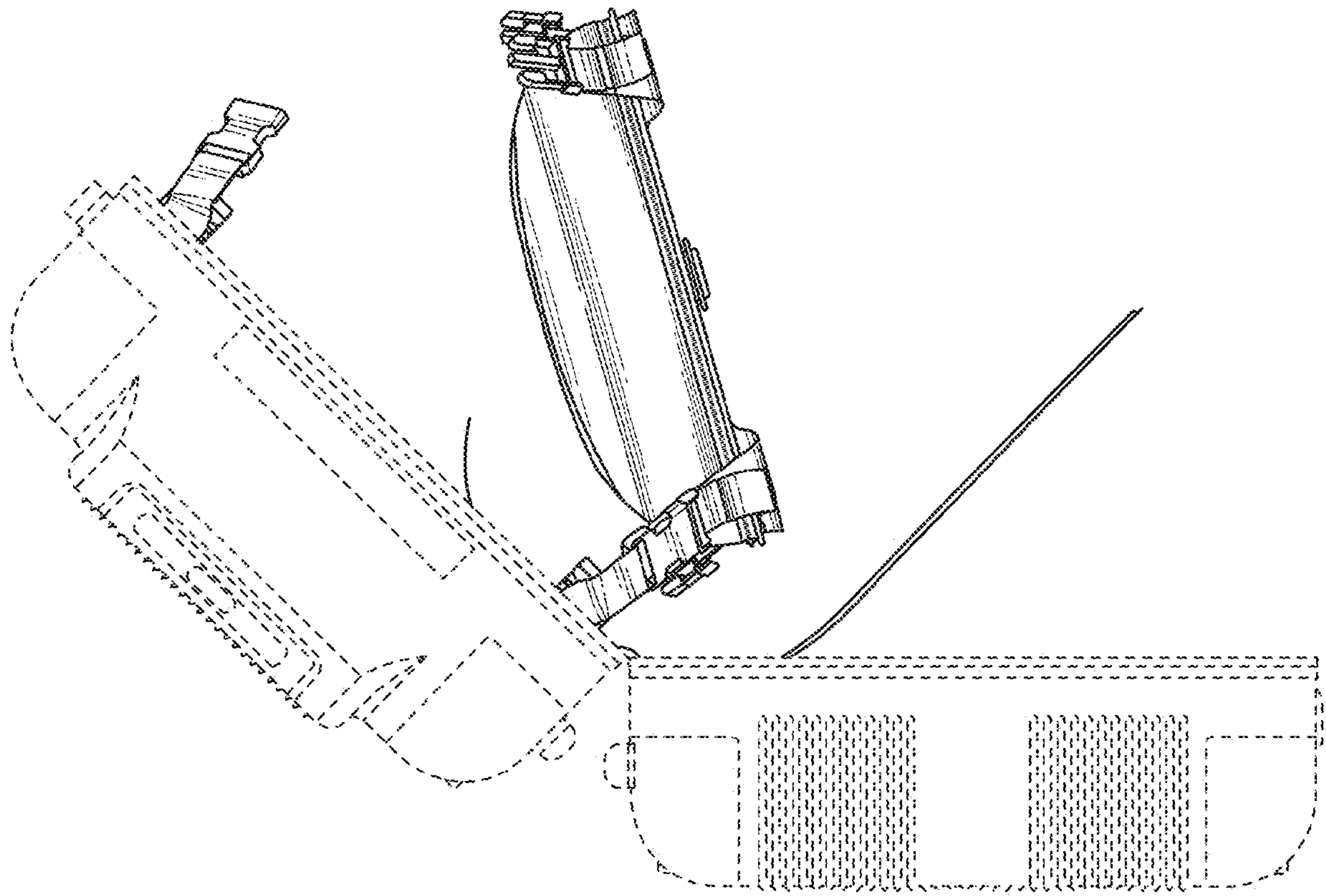


FIG. 8



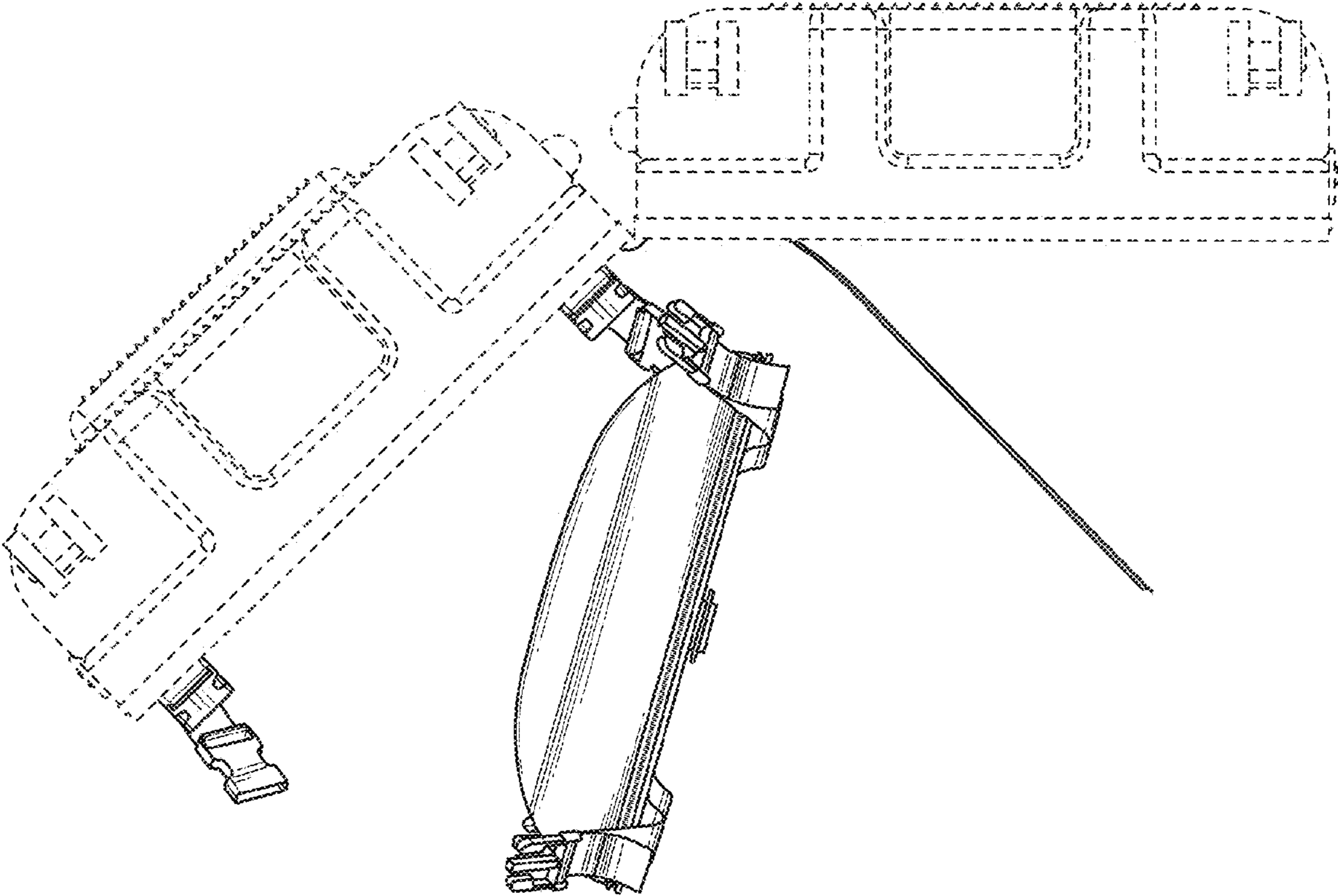


FIG. 9