



US00D871765S

(12) **United States Design Patent** (10) **Patent No.:** **US D871,765 S**
Seiders et al. (45) **Date of Patent:** **** Jan. 7, 2020**

(54) **INSULATING DEVICE**
(71) Applicant: **YETI Coolers, LLC**, Austin, TX (US)
(72) Inventors: **Roy Joseph Seiders**, Austin, TX (US);
Christopher M. Keller, Austin, TX (US)
(73) Assignee: **YETI Coolers, LLC**, Austin, TX (US)
(**) Term: **15 Years**
(21) Appl. No.: **29/675,775**
(22) Filed: **Jan. 4, 2019**

Related U.S. Application Data

(63) Continuation of application No. 29/617,966, filed on Sep. 18, 2017, which is a continuation of application (Continued)
(51) **LOC (12) Cl.** **03-01**
(52) **U.S. Cl.**
USPC **D3/318**
(58) **Field of Classification Search**
USPC D7/387, 605, 705; D3/245, 246, 318, D3/276, 283, 216, 217, 221, 226, 232, D3/233, 267, 268, 273, 315, 327
CPC .. A45C 3/10; A45C 5/08; A45C 11/00; A45C 11/20; A45C 11/22; A45C 13/008; A45C 13/10; A45C 2013/1007; A45C 2013/1015; A45C 2013/30; A45C 2200/00; A45C 2200/20; A63B 29/02; A63B 29/08; A63B 29/028; A45F 3/00; A45F 3/02; A45F 3/14; A45F 2003/142; A45F 5/10; A45F 2005/1013; A45F 2005/108; B65D 33/00; B65D 33/105
See application file for complete search history.

(56) **References Cited**
U.S. PATENT DOCUMENTS

210,994 A 12/1878 Carnagy
1,587,655 A 6/1926 Kidwell
(Continued)

FOREIGN PATENT DOCUMENTS

BE 1015808 A6 9/2005
CA 2243820 A1 1/2000
(Continued)

OTHER PUBLICATIONS

Stopper Dry Bag, <http://www.seatosummit.com/products/display/181>, published date unknown, but prior to the filing date of the present application, Sea to Summit, United States.
(Continued)

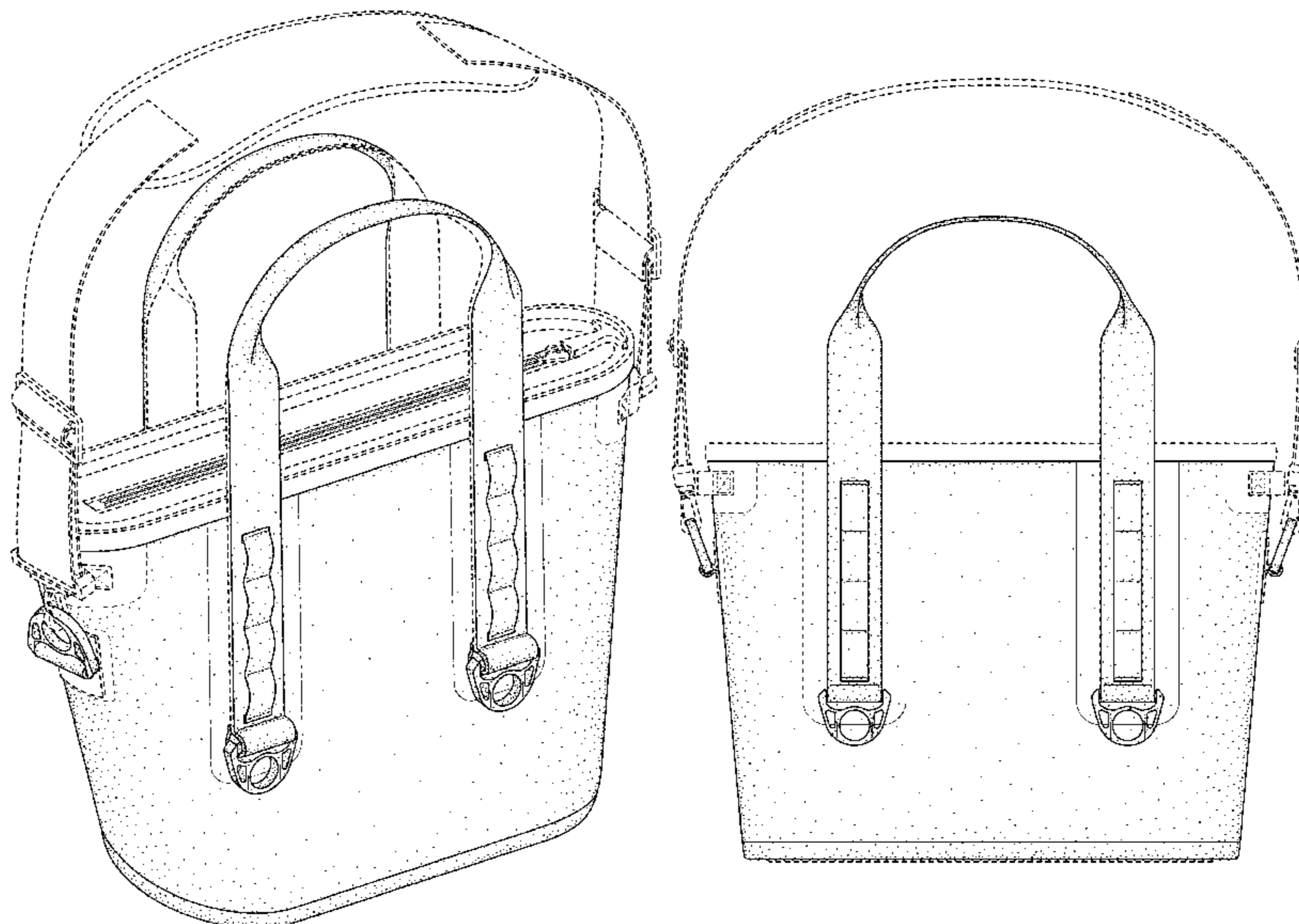
Primary Examiner — Rosemary K Tarcza
Assistant Examiner — Christy M Nemeth
(74) *Attorney, Agent, or Firm* — Banner & Witcoff, Ltd.

(57) **CLAIM**
The ornamental design for an insulating device, as shown and described.

DESCRIPTION

FIG. 1 is a top, front, right perspective view of an insulating device showing our new design;
FIG. 2 is a front view thereof;
FIG. 3 is a rear view thereof;
FIG. 4 is a right side view thereof;
FIG. 5 is a left side view thereof;
FIG. 6 is a top view thereof; and,
FIG. 7 is a bottom view thereof.
The broken lines immediately adjacent to the shaded areas illustrate a boundary and form no part of the claimed design. The broken lines showing the remainder of the insulating device illustrate subject matter that forms no part of the claimed design.

1 Claim, 6 Drawing Sheets



Related U.S. Application Data

No. 29/544,617, filed on Nov. 4, 2015, now Pat. No. Des. 797,454, which is a continuation of application No. 29/503,060, filed on Sep. 23, 2014, now Pat. No. Des. 787,187.

(56)

References Cited

U.S. PATENT DOCUMENTS

1,949,677 A 3/1934 Crawford
 2,119,621 A 6/1938 Ferrone
 2,253,598 A 8/1941 Africa
 2,289,254 A 7/1942 Eagles
 2,522,381 A 9/1950 Kramer
 2,575,191 A 11/1951 Seipp
 2,575,893 A 11/1951 Seaman
 2,633,223 A 3/1953 Zeamer
 2,651,485 A 9/1953 Schutz
 2,661,785 A 12/1953 Daust
 2,685,385 A 8/1954 Kuss
 2,808,093 A 10/1957 Gilman
 2,954,891 A 10/1960 Imber
 2,960,136 A 11/1960 Ziff
 3,066,846 A 12/1962 Domigan
 3,454,197 A 7/1969 Thompson
 3,801,425 A 4/1974 Cook
 3,814,288 A 6/1974 Westrich
 3,905,511 A 9/1975 Groendal
 4,125,212 A 11/1978 Courchesne
 4,127,155 A 11/1978 Hydrom
 4,143,695 A 3/1979 Hoehn
 4,194,627 A 3/1980 Christensen
 4,196,817 A 4/1980 Moser
 4,197,890 A 4/1980 Simko
 4,210,186 A 7/1980 Belenson
 4,211,091 A 7/1980 Campbell
 4,211,267 A 7/1980 Skovgaard
 4,248,366 A 2/1981 Christiansen
 D265,948 S 8/1982 Stark
 4,344,303 A 8/1982 Kelly, Jr.
 4,372,453 A 2/1983 Branscum
 4,375,828 A 3/1983 Biddison
 D268,879 S 5/1983 Outcalt
 4,399,668 A 8/1983 Williamson
 4,468,933 A 9/1984 Christopher
 4,513,895 A 4/1985 Leslie
 4,521,910 A 6/1985 Keppel et al.
 4,537,313 A 8/1985 Workman
 4,541,540 A 9/1985 Gretz et al.
 D281,122 S 10/1985 Bomes et al.
 D281,546 S 12/1985 Bradshaw
 D281,646 S 12/1985 Bomes et al.
 D282,602 S 2/1986 Allen
 4,571,338 A 2/1986 Okonogi et al.
 4,595,101 A 6/1986 Rivera
 4,596,370 A 6/1986 Adkins
 4,598,746 A 7/1986 Rabinowitz
 4,637,063 A 1/1987 Sullivan et al.
 D289,128 S 4/1987 Bradshaw
 4,673,117 A 6/1987 Calton
 4,679,242 A 7/1987 Brockhaus
 4,708,254 A 11/1987 Byrns
 4,746,028 A 5/1988 Bagg
 4,759,077 A 7/1988 Leslie
 4,765,476 A 8/1988 Lee
 4,796,937 A 1/1989 Andrea
 4,802,344 A 2/1989 Livingston et al.
 4,802,602 A 2/1989 Evans et al.
 4,805,776 A 2/1989 Namgyal et al.
 4,812,054 A 3/1989 Kirkendall
 4,826,060 A 5/1989 Hollingsworth
 4,858,444 A 8/1989 Scott
 4,867,214 A 9/1989 Fuller
 4,871,069 A 10/1989 Guimont
 4,886,183 A 12/1989 Fleming
 4,941,603 A 7/1990 Creamer et al.

4,984,906 A 1/1991 Little
 4,986,089 A 1/1991 Raab
 4,989,418 A 2/1991 Hewlett
 5,004,091 A 4/1991 Natho et al.
 5,005,679 A 4/1991 Hjelle
 5,042,664 A 8/1991 Shyr et al.
 5,048,734 A 9/1991 Long
 5,062,557 A 11/1991 Mahvi et al.
 5,190,376 A 3/1993 Book
 5,216,900 A 6/1993 Jones
 5,221,016 A 6/1993 Karpal
 5,237,838 A 8/1993 Merritt-Munson
 5,244,136 A 9/1993 Collaso
 D339,979 S 10/1993 Wehrley
 D340,387 S 10/1993 Melk
 D340,621 S 10/1993 Melk
 D340,840 S 11/1993 Melk
 5,269,368 A 12/1993 Schneider et al.
 D343,992 S 2/1994 Melk
 5,297,870 A 3/1994 Weldon
 5,313,807 A 5/1994 Owen
 5,325,991 A 7/1994 Williams
 5,354,131 A 10/1994 Mogil
 5,355,684 A 10/1994 Guice
 5,398,848 A 3/1995 Padamsee
 5,400,610 A 3/1995 Macedo
 5,403,095 A 4/1995 Melk
 5,421,172 A 6/1995 Jones
 5,447,764 A 9/1995 Langford
 5,472,279 A 12/1995 Lin
 5,490,396 A 2/1996 Morris
 D370,599 S 6/1996 Christopher et al.
 D371,052 S 6/1996 Melk
 5,529,217 A 6/1996 Siegel
 D373,515 S 9/1996 Melk
 5,562,228 A 10/1996 Ericson
 5,564,568 A 10/1996 Rankin, Sr.
 5,569,401 A 10/1996 Gilliland et al.
 5,595,320 A 1/1997 Aghassipour
 D382,771 S 8/1997 Mogil
 D383,360 S 9/1997 Melk
 5,680,944 A 10/1997 Rueter
 5,680,958 A 10/1997 Mann et al.
 D386,310 S 11/1997 Smith
 5,687,874 A 11/1997 Omori et al.
 D387,249 S 12/1997 Mogil
 5,706,969 A 1/1998 Yamada et al.
 D394,553 S 5/1998 Lin
 D395,555 S 6/1998 Ursitti
 5,758,513 A 6/1998 Smith
 5,779,089 A 7/1998 West
 D397,273 S 8/1998 Collie
 5,816,709 A 10/1998 Demus
 D401,063 S 11/1998 Yamamoto et al.
 5,842,571 A 12/1998 Rausch
 5,845,514 A 12/1998 Clarke et al.
 5,848,734 A 12/1998 Melk
 5,857,778 A 1/1999 Ells
 5,909,821 A 6/1999 Guridi
 5,913,448 A 6/1999 Mann et al.
 5,915,580 A 6/1999 Melk
 5,931,583 A 8/1999 Collie
 D414,379 S 9/1999 Haberkom
 5,988,468 A 11/1999 Murdoch et al.
 5,988,879 A 11/1999 Bredderman et al.
 6,019,245 A 2/2000 Foster et al.
 6,027,249 A 2/2000 Bielinski
 6,029,847 A 2/2000 Mahoney, Jr. et al.
 6,048,099 A 4/2000 Muffett et al.
 D424,417 S 5/2000 Axelsson
 6,059,140 A 5/2000 Hicks
 6,065,873 A 5/2000 Fowler
 6,068,402 A 5/2000 Freese et al.
 6,073,796 A 6/2000 Mogil
 6,082,589 A 7/2000 Ash et al.
 6,082,896 A 7/2000 Pulli
 6,089,038 A 7/2000 Tattam
 6,092,266 A 7/2000 Lee
 6,092,661 A 7/2000 Mogil

(56)

References Cited

U.S. PATENT DOCUMENTS

6,116,045	A	9/2000	Hodosh et al.	D539,033	S	3/2007	Cassegrain
6,128,915	A	10/2000	Wagner	7,201,285	B2	4/2007	Beggins
6,139,188	A	10/2000	Marzano	7,207,716	B2	4/2007	Buchanan et al.
6,145,715	A	11/2000	Slonim	7,219,814	B2	5/2007	Lown et al.
6,149,305	A	11/2000	Fier	7,240,513	B1	7/2007	Conforti
6,193,034	B1	2/2001	Fournier	D548,459	S	8/2007	Harvey
6,209,343	B1	4/2001	Owen	D550,448	S	9/2007	Boje et al.
6,220,473	B1	4/2001	Lehman et al.	7,264,134	B2	9/2007	Tulp
6,234,677	B1	5/2001	Mogil	D557,667	S	12/2007	Kawamura et al.
6,237,776	B1	5/2001	Mogil	7,302,810	B2	12/2007	McCroy
6,247,328	B1	6/2001	Mogil	D560,102	S	1/2008	Sumter
6,253,570	B1	7/2001	Lustig	7,313,927	B2	1/2008	Barker
6,276,579	B1	8/2001	DeLoach	7,344,028	B2	3/2008	Hanson
D447,632	S	9/2001	Gisser	7,353,952	B2	4/2008	Swartz et al.
D447,667	S	9/2001	Schneider et al.	D570,603	S	6/2008	Wu et al.
6,286,709	B1	9/2001	Hudson	D573,422	S	7/2008	Tagliati et al.
6,296,134	B1	10/2001	Cardinale	D574,667	S	8/2008	Grabijas, III et al.
6,296,165	B1	10/2001	Mears	D578,401	S	10/2008	Perry et al.
6,298,993	B1	10/2001	Kalozdi	D582,151	S	12/2008	Gonzalez
6,336,577	B1	1/2002	Harris et al.	7,481,065	B2	1/2009	Krieger
6,353,215	B1	3/2002	Revels et al.	D598,194	S	8/2009	Turvey et al.
D455,934	S	4/2002	Culp et al.	7,597,478	B2	10/2009	Pruchnicki et al.
6,363,739	B1	4/2002	Hodosh et al.	D603,606	S	11/2009	Wang
6,409,066	B1	6/2002	Schneider et al.	7,634,919	B2	12/2009	Bernhard, Jr. et al.
6,422,032	B1	7/2002	Greene	D607,697	S	1/2010	Whitlock et al.
6,439,389	B1	8/2002	Mogil	D608,096	S	1/2010	Noble
D464,235	S	10/2002	Jeong	D608,159	S	1/2010	Whitlock et al.
D465,134	S	11/2002	Joss	D610,795	S	3/2010	Dejadon
6,481,239	B2	11/2002	Hodosh et al.	D611,706	S	3/2010	Angles et al.
D466,291	S	12/2002	Ng	7,669,436	B2	3/2010	Mogil et al.
6,495,194	B2	12/2002	Sato et al.	7,682,080	B2	3/2010	Mogil
6,505,479	B2	1/2003	Defelice et al.	D617,560	S	6/2010	Wu
6,511,695	B1	1/2003	Paquin et al.	7,730,739	B2	6/2010	Fuchs
6,513,661	B1	2/2003	Mogil	D618,966	S	7/2010	Koehler et al.
D472,431	S	4/2003	Spence, Jr.	D619,423	S	7/2010	Koehler et al.
6,554,155	B1	4/2003	Beggins	D619,854	S	7/2010	Koehler et al.
D474,649	S	5/2003	Spence, Jr.	D619,855	S	7/2010	Koehler D7/607
6,582,124	B2	6/2003	Mogil	7,757,878	B2	7/2010	Mogil et al.
D476,481	S	7/2003	Gilbert	D620,707	S	8/2010	Mogil
6,595,687	B2	7/2003	Godshaw et al.	D620,708	S	8/2010	Sanz
D478,782	S	8/2003	Li	7,775,388	B2	8/2010	Murrer, III
6,604,649	B1	8/2003	Campi	7,784,759	B2	8/2010	Farrell
6,605,311	B2	8/2003	Villagran et al.	7,791,003	B2	9/2010	Lockhart et al.
6,619,447	B1	9/2003	Garcia, III et al.	7,811,620	B2	10/2010	Merrill et al.
6,629,430	B2	10/2003	Mills et al.	7,815,069	B1	10/2010	Bellofatto et al.
D482,241	S	11/2003	Tyler	D626,329	S	11/2010	Chapelier
6,652,933	B2	11/2003	Hall	D627,199	S	11/2010	Pruchnicki A45C 7/0077 D7/607
6,655,543	B2	12/2003	Beuke	7,841,207	B2	11/2010	Mogil et al.
D485,131	S	1/2004	Lanman et al.	D629,612	S	12/2010	Weldon
D485,732	S	1/2004	Lanman et al.	7,874,177	B2	1/2011	Azamy
D486,038	S	2/2004	Lanman et al.	7,900,816	B2	3/2011	Kastanek et al.
6,688,470	B2	2/2004	Dege et al.	D638,220	S	5/2011	Chu et al.
6,729,758	B1	5/2004	Carter	D642,870	S	8/2011	Whitlock et al.
D492,160	S	6/2004	Lanman et al.	7,988,006	B2	8/2011	Mogil et al.
D497,518	S	10/2004	Bellofatto, Jr. et al.	D645,662	S	9/2011	Perez
6,799,693	B2	10/2004	Meza	8,016,090	B2	9/2011	McCoy et al.
D498,924	S	11/2004	Karl	8,043,004	B2	10/2011	Mogil
D501,600	S	2/2005	Guyon	D648,532	S	11/2011	Sosnovsky
D502,599	S	3/2005	Cabana et al.	8,061,159	B2	11/2011	Mogil et al.
D503,279	S	3/2005	Smith	D650,169	S	12/2011	Klifa
6,874,356	B2	4/2005	Kornfeldt et al.	8,096,442	B2	1/2012	Ramundi
D506,645	S	6/2005	Bellofatto, Jr. et al.	8,191,747	B2	6/2012	Pruchnicki
D512,274	S	12/2005	Cabey	D664,261	S	7/2012	Kravitz et al.
D515,362	S	2/2006	Chan	8,209,995	B2	7/2012	Kieling et al.
D516,099	S	2/2006	Maruyama	D666,896	S	9/2012	Pinholster, Jr. et al.
D517,801	S	3/2006	Woo	D667,043	S	9/2012	Couch, III
D520,306	S	5/2006	Peterson	8,281,950	B2	10/2012	Potts et al.
D523,243	S	6/2006	Nashmy	8,302,749	B2	11/2012	Melmon et al.
D527,226	S	8/2006	Maldonado	D673,363	S	1/2013	Crandall
D530,089	S	10/2006	Silverman	D674,664	S	1/2013	Collie
7,153,025	B1	12/2006	Jackson et al.	8,424,713	B2	4/2013	Bolland
D534,352	S	1/2007	Delafontaine	D682,635	S	5/2013	Boroski
D534,771	S	1/2007	Zorn	8,453,899	B1	6/2013	Calkin
D535,820	S	1/2007	Kamiya	D686,412	S	7/2013	Guichot
7,162,890	B2	1/2007	Mogil et al.	8,474,640	B2	7/2013	Armstrong
				8,516,848	B2	8/2013	White et al.
				8,544,678	B1	10/2013	Hughes
				8,573,002	B2	11/2013	Ledoux et al.

(56)

References Cited

U.S. PATENT DOCUMENTS

D695,568 S *	12/2013	Hayes	D3/233	D797,455 S *	9/2017	Seiders	D3/318
8,622,235 B2	1/2014	Suchecky		D798,670 S	10/2017	Seiders et al.	
D699,940 S	2/2014	Robert		D799,276 S	10/2017	Seiders et al.	
D699,941 S	2/2014	Robert		D799,277 S	10/2017	Seiders et al.	
D703,946 S	5/2014	Tweedie		D799,905 S	10/2017	Seiders et al.	
8,720,739 B2	5/2014	Bollis		D800,443 S	10/2017	Burton et al.	
8,777,045 B2	7/2014	Mitchell et al.		D800,444 S	10/2017	Burton et al.	
D710,085 S	8/2014	Szewczyk		D801,123 S	10/2017	Seiders et al.	
D711,096 S	8/2014	Hanna		D802,028 S	11/2017	Li	
D712,555 S	9/2014	Berg		D802,029 S	11/2017	Li	
8,827,109 B1	9/2014	Sheehan		D802,373 S	11/2017	Seiders et al.	
8,844,756 B2	9/2014	Beyburg		D802,630 S	11/2017	Li et al.	
D715,544 S	10/2014	Levine		D805,851 S *	12/2017	Sullivan	D7/607
8,857,654 B2	10/2014	Mogil et al.		D808,173 S *	1/2018	Seiders	D3/318
D717,041 S	11/2014	Pulliam		D808,175 S *	1/2018	Seiders	D3/318
D718,931 S	12/2014	Brundl		D808,655 S *	1/2018	Seiders	D3/318
D719,303 S	12/2014	Anderson		D808,730 S *	1/2018	Sullivan	D7/607
8,899,071 B2	12/2014	Mogil et al.		D809,869 S	2/2018	Seiders et al.	
D725,908 S	4/2015	Zwetzig		D811,082 S	2/2018	Lehan	
D728,942 S	5/2015	Byham		D811,746 S *	3/2018	Seiders	D3/318
D732,295 S *	6/2015	Aafjes	D3/318	D813,539 S	3/2018	Van Assche	
D732,348 S *	6/2015	Seiders	D3/246	D814,879 S	4/2018	Larson et al.	
D732,349 S *	6/2015	Seiders	D3/246	D817,106 S	5/2018	Larson et al.	
D732,350 S *	6/2015	Seiders	D3/246	D817,107 S	5/2018	Larson et al.	
D732,899 S *	6/2015	Seiders	D3/246	D819,966 S	6/2018	Yu	
D734,643 S	7/2015	Boroski		D819,967 S *	6/2018	Carter	D3/246
D734,992 S	7/2015	Boroski		D821,825 S *	7/2018	Sullivan	D7/607
9,084,463 B2	7/2015	Merrill		D822,987 S *	7/2018	Seiders	D3/246
D738,108 S	9/2015	Adler et al.		D822,997 S *	7/2018	Seiders	D3/318
D739,654 S	9/2015	Brouard		D823,601 S	7/2018	Seiders et al.	
9,139,352 B2	9/2015	Seiders et al.		D823,602 S *	7/2018	Seiders	D3/318
9,146,051 B2	9/2015	Kamin et al.		D824,666 S *	8/2018	Carter	D3/245
D747,104 S	1/2016	Ford		D824,671 S	8/2018	Pennington	
9,226,558 B2	1/2016	Armstrong		D824,731 S *	8/2018	Sullivan	D7/607
D749,653 S	2/2016	Carnes		D827,299 S *	9/2018	Vickery	D3/246
D750,140 S	2/2016	Cross		D828,112 S *	9/2018	Furneaux	D7/607
9,254,022 B2	2/2016	Meldeau et al.		D829,244 S	9/2018	Sullivan et al.	
9,254,023 B2	2/2016	Su et al.		D830,048 S *	10/2018	McQueeney	D3/201
9,265,318 B1	2/2016	Williams et al.		D830,132 S *	10/2018	Sullivan	D7/607
D752,347 S *	3/2016	Seiders	D3/318	D830,133 S *	10/2018	Sullivan	D7/607
9,271,553 B2	3/2016	Ponx		D830,134 S *	10/2018	Sullivan	D7/607
9,272,475 B2	3/2016	Ranade et al.		D832,653 S *	11/2018	Waskow	D7/607
9,290,313 B2	3/2016	De Lesseux et al.		D834,817 S	12/2018	Hoppe et al.	
D752,860 S	4/2016	Barilaro et al.		D834,895 S *	12/2018	Triska	D7/607
D756,109 S	5/2016	Hayashi		D835,473 S *	12/2018	Jacobsen	D7/607
D756,638 S	5/2016	Frisoni		D835,949 S	12/2018	Triska et al.	
9,366,467 B2	6/2016	Kiedaisch et al.		D836,996 S *	1/2019	Jacobsen	D7/607
9,375,061 B2	6/2016	Mosee		D836,997 S *	1/2019	Jacobsen	D7/607
D760,494 S	7/2016	Harvey-Pankey		D836,998 S *	1/2019	Jacobsen	D7/607
D761,561 S	7/2016	Cheng		D836,999 S *	1/2019	Jacobsen	D7/607
D763,570 S	8/2016	Potts		D837,000 S *	1/2019	Jacobsen	D7/607
D764,791 S	8/2016	Patel		D837,001 S *	1/2019	Jacobsen	D7/607
D764,873 S	8/2016	Collie		D839,682 S *	2/2019	Jacobsen	D7/607
9,408,445 B2	8/2016	Mogil et al.		D841,325 S *	2/2019	Buynar	D3/246
D765,395 S	9/2016	Sanz		D844,992 S *	4/2019	Seiders	D3/318
D768,987 S	10/2016	Blumenfeld		D845,625 S *	4/2019	Barlier	D3/283
D770,761 S	11/2016	Deioma et al.		D846,275 S *	4/2019	Barlier	D3/245
D770,763 S	11/2016	Joo et al.		D847,500 S *	5/2019	Lagerfeld	D3/245
D771,372 S	11/2016	Kelly et al.		D848,219 S *	5/2019	Munie	D7/607
D772,562 S *	11/2016	Petre	D3/216	D848,220 S *	5/2019	Munie	D7/607
D778,045 S	2/2017	Ruddis		D848,221 S *	5/2019	Munie	D7/607
D782,820 S	4/2017	Thompson		D848,222 S *	5/2019	Munie	D7/607
D784,010 S	4/2017	Dumas		D848,798 S *	5/2019	Munie	D7/607
D785,325 S	5/2017	Samrelius et al.		2002/0197369 A1	12/2002	Modler	
D786,559 S *	5/2017	Seiders	D3/318	2003/0070447 A1	4/2003	Tanaka	
D786,560 S *	5/2017	Seiders	D3/318	2003/0080133 A1	5/2003	Butler	
D786,561 S *	5/2017	Seiders	D3/318	2003/0106895 A1	6/2003	Kalal	
D786,562 S *	5/2017	Seiders	D3/318	2003/0136702 A1	7/2003	Redzisz et al.	
D787,187 S *	5/2017	Seiders	D3/318	2003/0175394 A1	9/2003	Modler	
D789,080 S	6/2017	Caffagni		2004/0004111 A1	1/2004	Cardinale	
D792,167 S	7/2017	Bradley		2004/0028296 A1	2/2004	Meli	
D792,486 S	7/2017	Li et al.		2004/0035143 A1	2/2004	Mogil	
D793,089 S	8/2017	Jackson		2004/0074936 A1	4/2004	McDonald	
D796,185 S	9/2017	Masten		2004/0094589 A1	5/2004	Fricano	
D797,454 S *	9/2017	Seiders	D3/318	2004/0136621 A1	7/2004	Mogil	
				2004/0144783 A1	7/2004	Anderson et al.	
				2004/0149600 A1	8/2004	Wolter et al.	
				2004/0164084 A1	8/2004	Cooper	
				2004/0237266 A1	12/2004	Wang	

(56)

References Cited

U.S. PATENT DOCUMENTS

2005/0016895 A1 1/2005 Glenn
 2005/0034947 A1 2/2005 Nykoluk
 2005/0045520 A1 3/2005 Johnson
 2005/0045521 A1 3/2005 Johnson et al.
 2005/0056669 A1 3/2005 Lavelle
 2005/0072181 A1 4/2005 Mogil et al.
 2005/0133399 A1 6/2005 Fidrych
 2005/0183446 A1 8/2005 Fuchs
 2005/0196510 A1 9/2005 Walters
 2005/0262871 A1 12/2005 Bailey-Weston
 2005/0263528 A1 12/2005 Maldonado et al.
 2005/0279124 A1 12/2005 Maldonado
 2006/0007266 A1 1/2006 Silverbrook
 2006/0102497 A1 5/2006 Wulf
 2006/0151533 A1 7/2006 Simunovic et al.
 2006/0201979 A1 9/2006 Achilles
 2006/0239593 A1 10/2006 Fidrych
 2006/0240159 A1 10/2006 Cash et al.
 2006/0248902 A1 11/2006 Hunnell
 2007/0012593 A1 1/2007 Kitchens et al.
 2007/0148305 A1 6/2007 Sherwood et al.
 2007/0148307 A1 6/2007 Sherwood et al.
 2007/0164063 A1 7/2007 Concepcion
 2007/0217187 A1 9/2007 Blakely et al.
 2007/0221693 A1 9/2007 Moore
 2007/0237432 A1 10/2007 Mogil
 2007/0261977 A1 11/2007 Sakai
 2007/0274613 A1 11/2007 Pruchnicki et al.
 2007/0290816 A1 12/2007 Bedard
 2008/0038424 A1 2/2008 Krusemann
 2008/0073364 A1 3/2008 Simmons
 2008/0105282 A1 5/2008 Fernholz et al.
 2008/0128421 A1 6/2008 Ulbrand et al.
 2008/0160149 A1 7/2008 Nasrallah et al.
 2008/0164265 A1 7/2008 Conforti
 2008/0178865 A1 7/2008 Retterer
 2008/0245096 A1 10/2008 Hanson et al.
 2008/0260303 A1 10/2008 De Lesseux et al.
 2008/0264925 A1 10/2008 Lockhart et al.
 2008/0305235 A1 12/2008 Gao et al.
 2009/0052809 A1 2/2009 Sampson
 2009/0080808 A1 3/2009 Hagen
 2009/0095757 A1 4/2009 Ramundi
 2009/0280229 A1 11/2009 Constantine et al.
 2009/0311378 A1 12/2009 Wilaschin et al.
 2009/0317514 A1 12/2009 Sizer
 2010/0047423 A1 2/2010 Kruesemann et al.
 2010/0059199 A1 3/2010 Court
 2010/0075006 A1 3/2010 Semenza
 2010/0108694 A1 5/2010 Sedlbauer et al.
 2010/0136203 A1 6/2010 Sakata et al.
 2010/0143567 A1 6/2010 Ye et al.
 2010/0224660 A1 9/2010 Gleason
 2010/0284631 A1 11/2010 Lee
 2011/0003975 A1 1/2011 Arase et al.
 2011/0005739 A1 1/2011 Finney et al.
 2011/0030415 A1 2/2011 Breyburg et al.
 2011/0097442 A1 4/2011 Harju et al.
 2011/0108562 A1 5/2011 Lyons
 2011/0167863 A1 7/2011 Herrbold
 2011/0182532 A1 7/2011 Baltus
 2011/0191933 A1 8/2011 Gregory et al.
 2011/0284601 A1 11/2011 Pullin
 2011/0311166 A1 12/2011 Pascua
 2012/0106130 A1 5/2012 Beaudette
 2012/0137637 A1 6/2012 Gillis
 2012/0180184 A1 7/2012 Crye
 2012/0181211 A1 7/2012 Charlebois
 2012/0187138 A1 7/2012 Vasquez et al.
 2012/0294550 A1 11/2012 Hassman et al.
 2012/0311828 A1 12/2012 Nir
 2013/0014355 A1 1/2013 Lee
 2013/0043285 A1 2/2013 Cordray
 2013/0174600 A1 7/2013 Sarcinella
 2013/0216158 A1 8/2013 Meldeau et al.

2013/0264350 A1 10/2013 Handlon et al.
 2013/0294712 A1 11/2013 Seuk
 2013/0341338 A1 12/2013 Mitchell et al.
 2014/0023295 A1 1/2014 Wagner
 2014/0034543 A1 2/2014 Grubstein
 2014/0151172 A1 6/2014 Diaz
 2014/0226920 A1 8/2014 Passavia
 2014/0248003 A1* 9/2014 Mogil A45C 3/001
 383/3
 2014/0254956 A1 9/2014 Buell, III
 2014/0270590 A1 9/2014 Ostroy
 2014/0366336 A1 12/2014 Chung
 2015/0008242 A1 1/2015 Kpabar, Jr.
 2015/0114024 A1 4/2015 Grepper
 2015/0136796 A1 5/2015 Muehlhauser
 2015/0175338 A1 6/2015 Culp et al.
 2015/0225164 A1* 8/2015 Seiders B65D 81/3858
 220/592.25
 2015/0335202 A1 11/2015 Wisner et al.
 2015/0353263 A1 12/2015 Seiders et al.
 2016/0066817 A1 3/2016 Hannes
 2016/0100661 A1 4/2016 Redzisz et al.
 2016/0101924 A1 4/2016 Mitchell et al.
 2016/0107816 A1 4/2016 Larpenteur et al.
 2016/0236849 A1 8/2016 Seiders et al.
 2016/0255943 A1 9/2016 Houston et al.
 2016/0257479 A1* 9/2016 Seiders B65D 81/389
 2016/0338462 A1 11/2016 Hayashi
 2016/0338908 A1 11/2016 Rice et al.
 2017/0036844 A1* 2/2017 Seiders B65D 81/3897
 2017/0071304 A1 3/2017 Wang
 2017/0071305 A1 3/2017 Wang
 2017/0099920 A1 4/2017 Bailey
 2017/0210542 A1* 7/2017 Seiders A45C 11/20
 2018/0016084 A1 1/2018 Xia et al.
 2018/0162626 A1* 6/2018 Munie B65D 25/18
 2018/0242701 A1* 8/2018 Seiders A45C 3/001
 2018/0263346 A1 9/2018 Stephens
 2018/0279733 A1 10/2018 Young et al.
 2018/0317620 A1* 11/2018 Larson A44B 19/32
 2019/0170422 A1* 6/2019 Dexter F25D 3/08

FOREIGN PATENT DOCUMENTS

CA 2300014 A1 8/2001
 CA 2327764 A1 6/2002
 CA 2433251 A1 12/2004
 CA 2483802 A1 4/2006
 CA 2498796 A1 9/2006
 CA 2499291 A1 9/2006
 CA 2503473 A1 10/2006
 CA 2548064 A1 11/2007
 CA 2549327 A1 11/2007
 CA 2633223 A1 12/2009
 CA 2782668 A1 12/2013
 CN 2125339 U 12/1992
 CN 2188899 Y 2/1995
 CN 201062136 Y 5/2008
 CN 102717977 A 10/2012
 CN 202619972 U 12/2012
 CN 202959175 U 6/2013
 CN 103385657 A 11/2013
 CN 302623771 11/2013
 CN 302623775 11/2013
 CN 302769710 3/2014
 CN 302956550 10/2014
 CN 303100086 2/2015
 CN 303342902 8/2015
 DE 3539626 A1 5/1987
 DE 20002689 U1 8/2000
 DE 202011050174 U1 7/2011
 DE 202013101115 U1 3/2013
 EP 0037545 A2 10/1981
 EP 0082131 A2 6/1983
 EP 85534 A1 8/1983
 EP 0158634 A1 10/1985
 EP 0174159 A2 3/1986
 EP 0238932 A1 9/1987
 FR 1269009 A 8/1961

(56)

References Cited

FOREIGN PATENT DOCUMENTS

FR	2440886	A1	6/1980
GB	1600133	A	10/1981
GB	2249717	A	5/1992
GB	2335972	A	10/1999
GB	3004135		9/2002
GB	3006367		10/2002
JP	11051532		2/1999
JP	3275477	B2	4/2002
JP	D1160335		12/2002
JP	2003026258	A	1/2003
JP	D1213384		8/2004
JP	D1242111		6/2005
JP	2010023926	A	2/2010
JP	D1445624		7/2012
KR	20020027739	A	4/2002
KR	20040092730	A	11/2004
KR	300778570.0000		1/2015
KR	300808669.0000		8/2015
KR	300835242.0000		1/2016
KR	300853718.0000		5/2016
WO	9524146	A2	9/1995
WO	9812954	A1	4/1998
WO	02058500	A1	8/2002
WO	2006007266	A2	1/2006
WO	2006058538	A1	6/2006
WO	2007016092	A2	2/2007
WO	2010106296	A2	9/2010
WO	2010120199	A1	10/2010
WO	2012003543	A1	1/2012
WO	2014033450	A1	3/2014
WO	2014066026	A1	5/2014
WO	2016066817	A1	5/2016
WO	2017136754	A1	8/2017

OTHER PUBLICATIONS

Icemule Classic Cooler—Large (20L), <http://www.icemulecooler.com/icemule-classic-cooler-large-20l/>, published date unknown, but prior to the filing date of the present application, Icemule, United States.

Devonbuy.com: Thule Gauntlet 13" MacBook Pro Attaché. Published on Jul. 28, 2014. Retrieved from the internet at <<http://www.devonbuy.com/thule-gauntlet-13-macbook-pro-attache/>>, Feb. 24, 2016. 9 pages.

United States District Court for the Western District of Texas, Austin Division, "Defendants' Answer and Counterclaims to YETI's Complaint," *YETI Coolers, LLC*, vs. *RTIC Soft Sided Coolers, LLC*, *RTIC Coolers, LLC*, *RTIC Web Services, LLC*, and *Corporate Support and Fulfillment, LLC*, Case 1:16-cv-00909-RP, Document 11, Filed Aug. 18, 2016, 44 pages.

United States District Court Western District of Texas, Austin Division, "Complaint," *YETI Coolers, LLC*, v. *RTIC Soft Bide Coolers, RTIC Coolers, LLC, RTIC Web Services, LLC, and Corporate Support and Fulfillment, LLC*, Case 1:16;cv-00909, Document 1, Filed Jul. 27, 2016, 66 pages.

United States District Court Western District of Texas, Austin Division, "Complaint for Damages and Injunctive Relief," *YETI Coolers, LLC* v. *Jennifer Leverne Bootz Evans d/b/a Bling and Burlap Buy In's and Blanks*, Case 1:15-cv-00995, Document 1, Filed Nov. 2, 2015, 128 pages.

United States District Court Western District of Texas, Austin Division, "Order," *YETI Coolers, LLC* v. *Jennifer Leverne Bootz Evans d/b/a Bling and Burlap Buy In's and Blank*, Case 1:15-cv-00995-RP, Document 18, Filed Apr. 18, 2016, 1 page.

United States District Court Western District of Texas, Austin Division, "Defendant's Reply in Support of Their Rule 12(B)(6) Motion to Dismiss for Failure to State a Claim" *YETI Coolers, LLC* v. *RTIC Soft Sided Coolers, LLC, RTIC Coolers, LLC, RTIC Web Services, LLC, and Corporate Support and Fulfillment, LLC*, Case 1:16-cv-00909-RP, Document 15, Filed Sep. 8, 2016, 13 pages.

United States District Court Western District of Texas, Austin Division, "YETI's Answer to RTIC's Counterclaims," *YETI Coolers, LLC* v. *RTIC Soft Sided Coolers, LLC, RTIC Coolers, LLC, RTIC Web Services, LLC, and Corporate Support and Fulfillment, LLC*, Case 1:16-cv-00909-RP, Document 14, Filed Sep. 2, 2016, 16 pages.

United States District Court Western District of Texas, Austin Division, "YETI's Opposition to RTIC's Motion to Dismiss," *YETI Coolers, LLC* v. *RTIC Soft Sided Coolers, LLC, RTIC Coolers, LLC, RTIC Web Services, LLC, and Corporate Support and Fulfillment, LLC*, Case 1:16-cv-00909-RP, Document 13, Filed Sep. 1, 2016, 17 pages.

United States District Court for the Western District of Texas, Austin Division, "Defendants' Rule 12(B)(6) Motion to Dismiss for Failure to State a Claim," *YETI Coolers, LLC*, vs. *RTIC Soft Sided Coolers, LLC, RTIC Coolers, LLC, RTIC Web Services, LLC, and Corporate Support and Fulfillment, LLC*, Case 1:16-cv-00909-RP, Document 10, Filed Aug. 18, 2016, 12 pages.

United States District Court for the Western District of Texas, Austin Division, "Joint Rule 26(f) Report and Discovery Plan," *YETI Coolers, LLC*, vs. *RTIC Soft Sided Coolers, LLC, RTIC Coolers, LLC, RTIC Web Services, LLC, and Corporate Support and Fulfillment, LLC*, Case 1:16-cv-00909-RP, Document 19, Filed Oct. 11, 2016, 9 pages.

Petition for Inter Partes Review of U.S. Pat. No. 9,139,352, filed on Dec. 13, 2016, 1616 pages.

TheGadgeteer.com: Tom Bihn Camera I-O Bag Review. Published Jul. 9, 2012. Retrieved from the internet at <<http://the-gadgeteer.com/2012/07/09/tom-bihn-camera-i-o-bag-review/>>, Jan. 11, 2016. 7 pages.

YouTube-com: Patagonia Black Hole Duffel 60L. Published Aug. 26, 2013. Retrieved from the internet at <<https://www.youtube.com/watch?v=W-PWEmZmVv8>>, Dec. 19, 2016. 1 page.

Youtube, "Yeti Hopper Cooler At Icast 2014", Uploaded by user TackleDirect' on Jul. 17, 2014, Accessed Jan. 31, 2017. (<https://www.youtube.com/watch?v=A2rKRdyZcZ4>).

Ebags, Picnic Pack Picnic Pack Large Insulated Cooler Tote, First reviewed on Jul. 20, 2016. Accessed Feb. 7, 2017. (<http://www.ebags.com/product/picnic-pack/picnic-pack-large-insulated-cooler-tote/313704?productid=10428840>).

United States Patent and Trademark Office Before the Patent Trial and Appeal Board, Decisions Joint Motions to Terminate Inter Partes Review, Entered Mar. 22, 2017—(4 pgs).

Jan. 31, 2017—(WO) International Search Report and Written Opinion—App. PCT/US2016/060135.

Mar. 27, 2017—(WO) International Search Report and Written Opinion—APP PCT/US2017/016552.

May 8, 2017—U.S. Non-Final Office Action—U.S. Appl. No. 15/154,626.

May 22, 2015—U.S. Non-Final Office Action—U.S. Appl. No. 14/479,607.

United States District Court Western District of Texas Austin Division, "Complaint," *YETI Coolers, LLC* v. *Glacier Coolers, LLC, and Tecomate Holdings, LLC*, Case 1:17-cv-00586, Document 1, filed Jun. 15, 2017, 161 pages.

May 30, 2017—(WO) ISR—App. No. PCT/US17/32351.

May 30, 2017—(WO) Written Opinion—App. No. PCT/US17/32351.

Vimeo, "Cleaning Your YETI Hopper" uploaded by user YETI Coolers on Nov. 4, 2014, Accessed Sep. 27, 2017. (<https://vimeo.com/110890075>).

Sep. 13, 2017—U.S. Final Office Action—U.S. Appl. No. 15/137,838.

Nov. 24, 2017—U.S. Final Office Action—U.S. Appl. No. 15/154,626.

Good Housekeeping, "Lands' End Zip Top Cooler Tote #433786", Reviewed on Apr. 2014, Accessed Nov. 18, 2017. (<http://www.goodhousekeeping.com/travel-products/food-cooler-reviews/a33270/lands-end-zip-top-cooler-tote-433786/>).

Home Shopping Network, "Built New York Large Welded Cooler Bag", Accessed Nov. 18, 2017. (<https://www.hsn.com/products/built-new-york-large-welded-cooler-bag/8561033>).

Feb. 9, 2018—U.S. Non-Final Office Action—U.S. Appl. No. 15/451,064.

(56)

References Cited

OTHER PUBLICATIONS

May 24, 2018—U.S. Non-final Office Action—U.S. Appl. No. 15/790,926.

Aug. 29, 2018 (WO)—International Search Report and Written Opinion—App. No. PCT/US18/36608.

Mar. 21, 2019—(WO) International Search Report and Written Opinion—App. No. PCT/US2018/066040.

Feb. 4, 2019—(AU) Examination Report—App. No. 2017263566—MM.

* cited by examiner

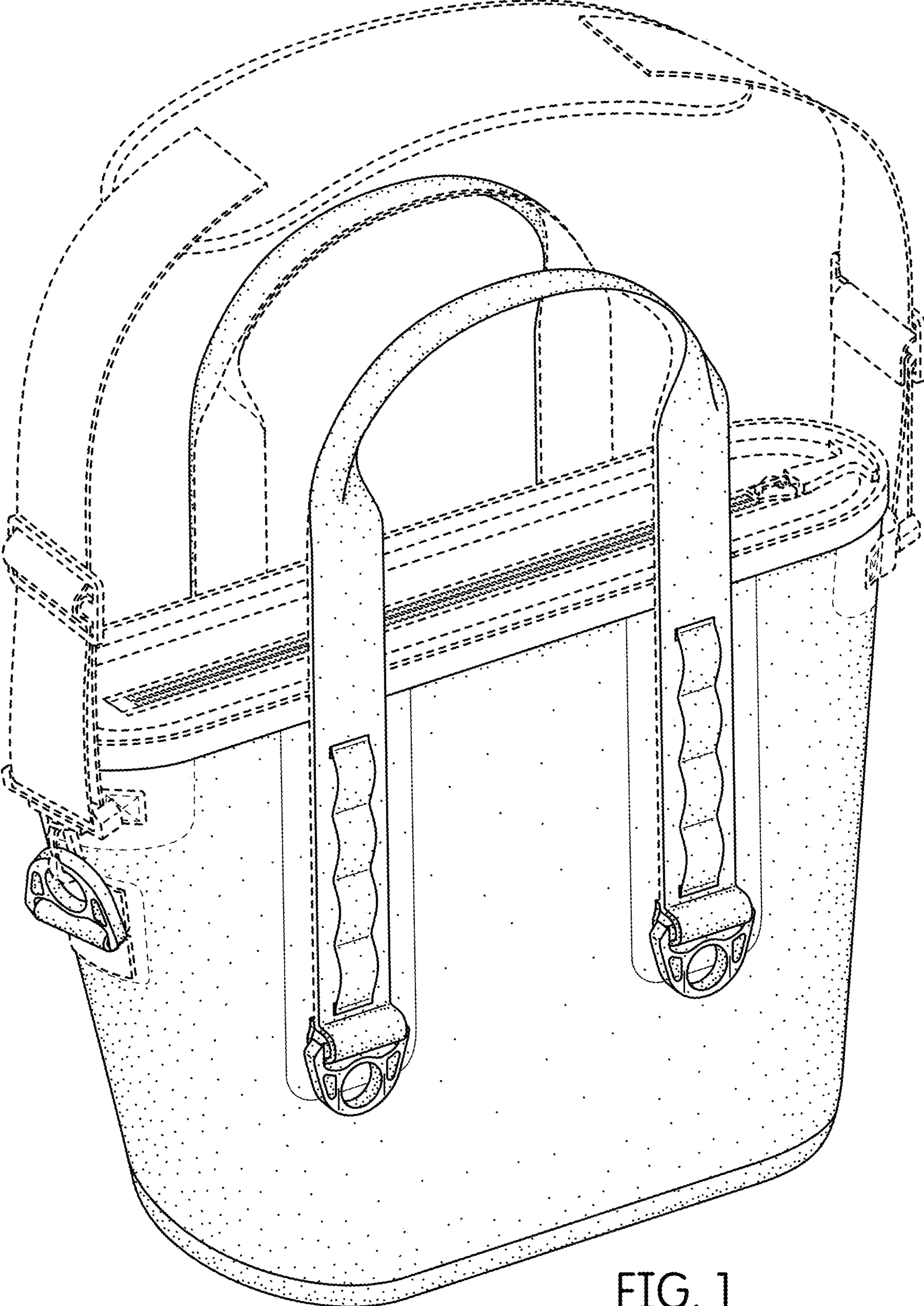


FIG. 1

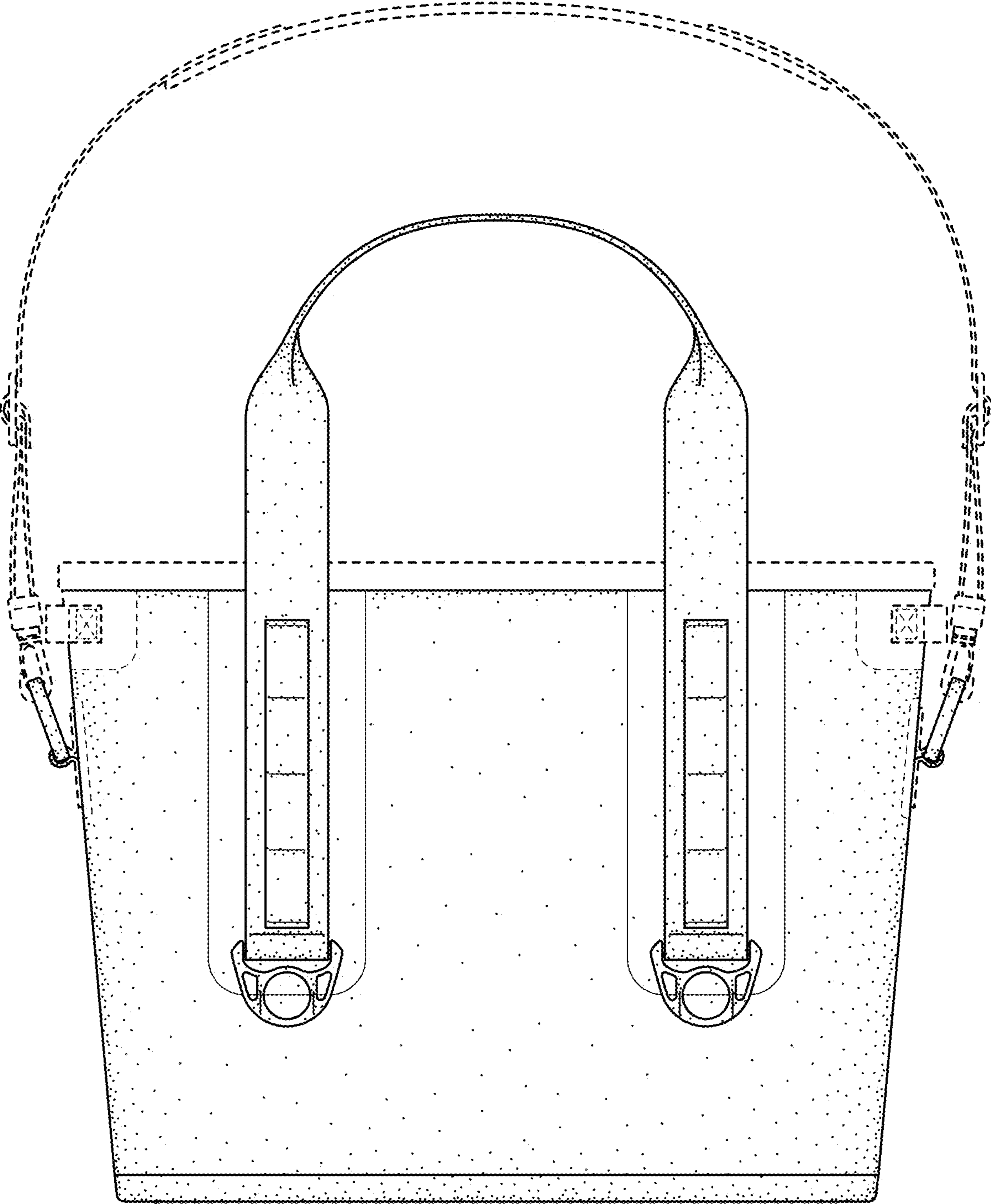


FIG. 2

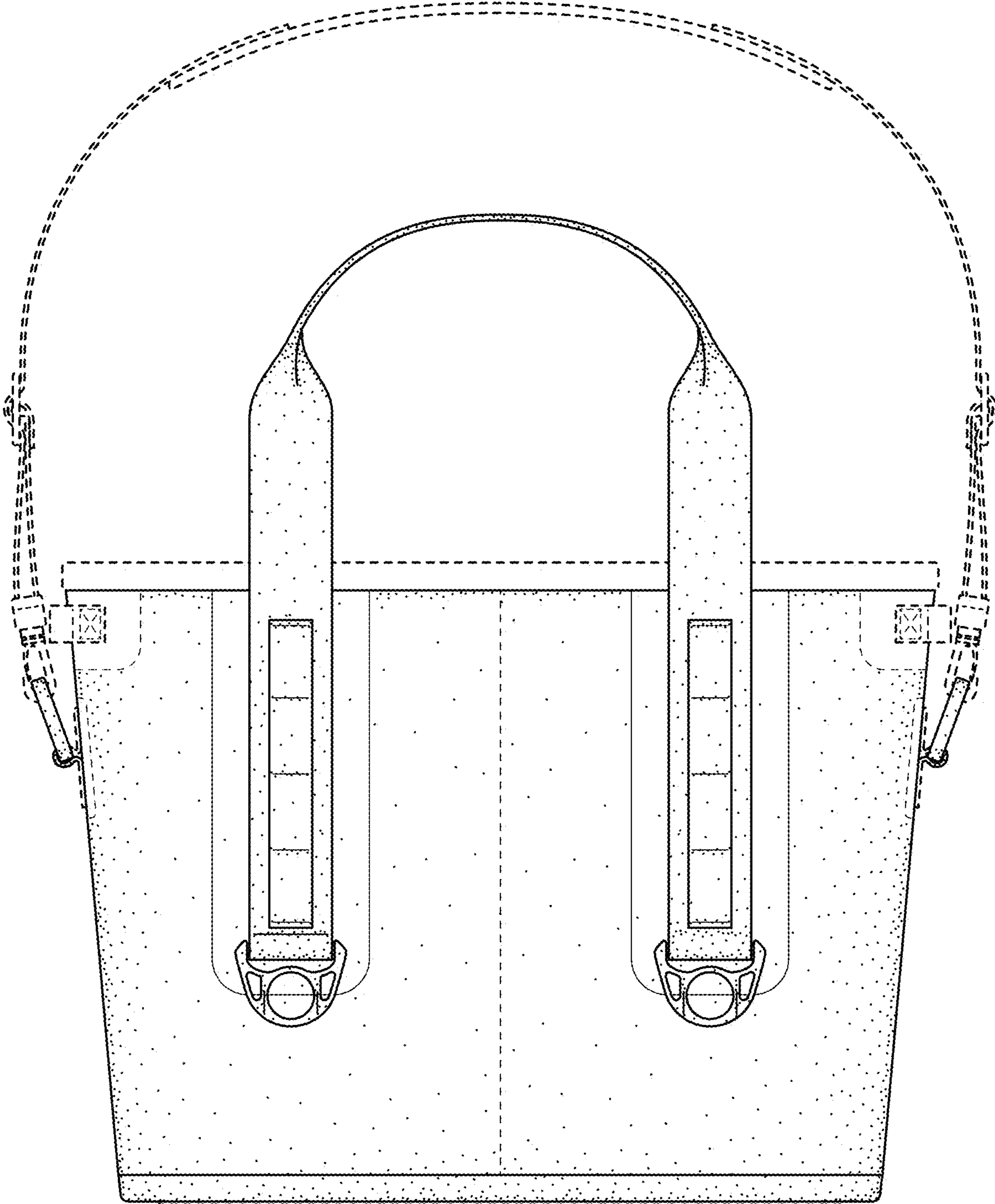


FIG. 3

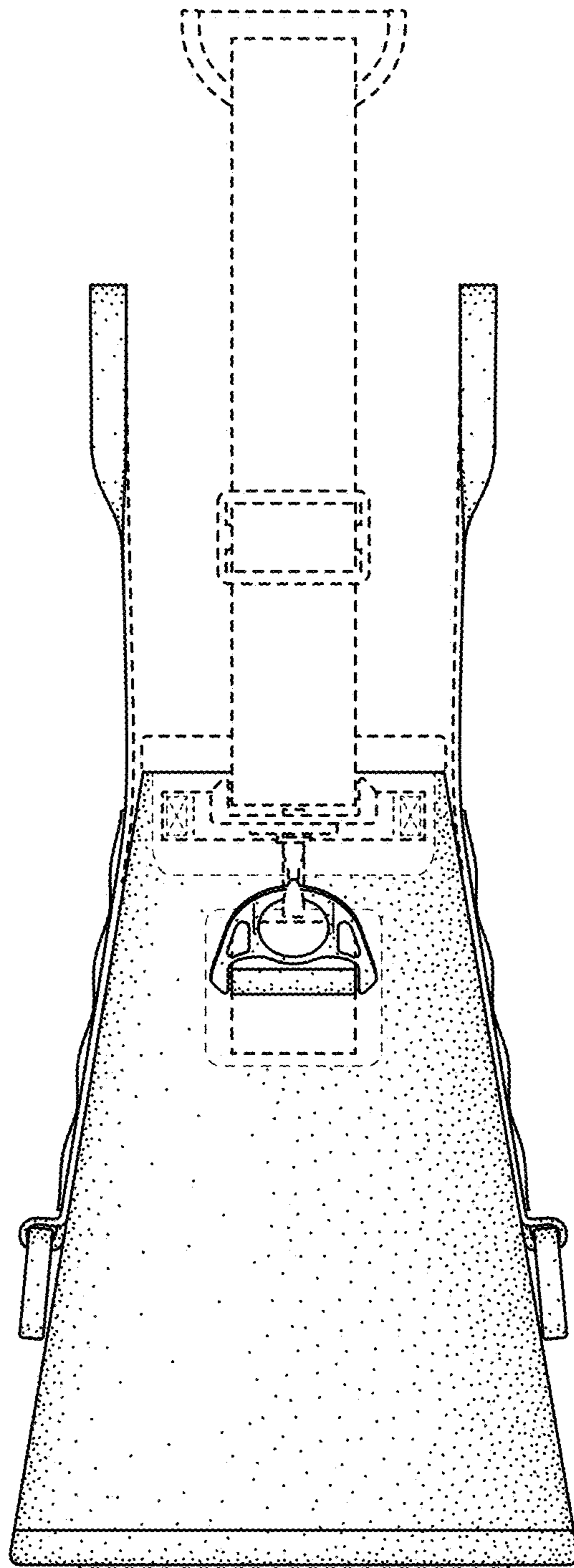


FIG. 4

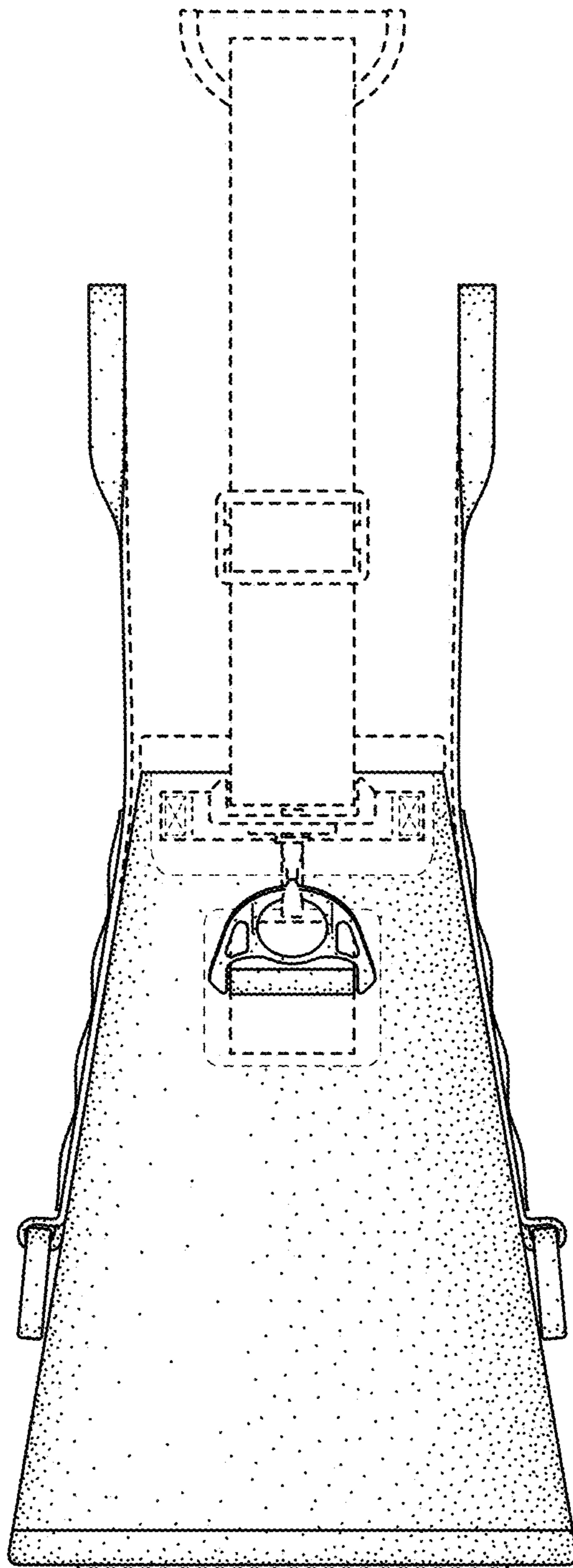


FIG. 5

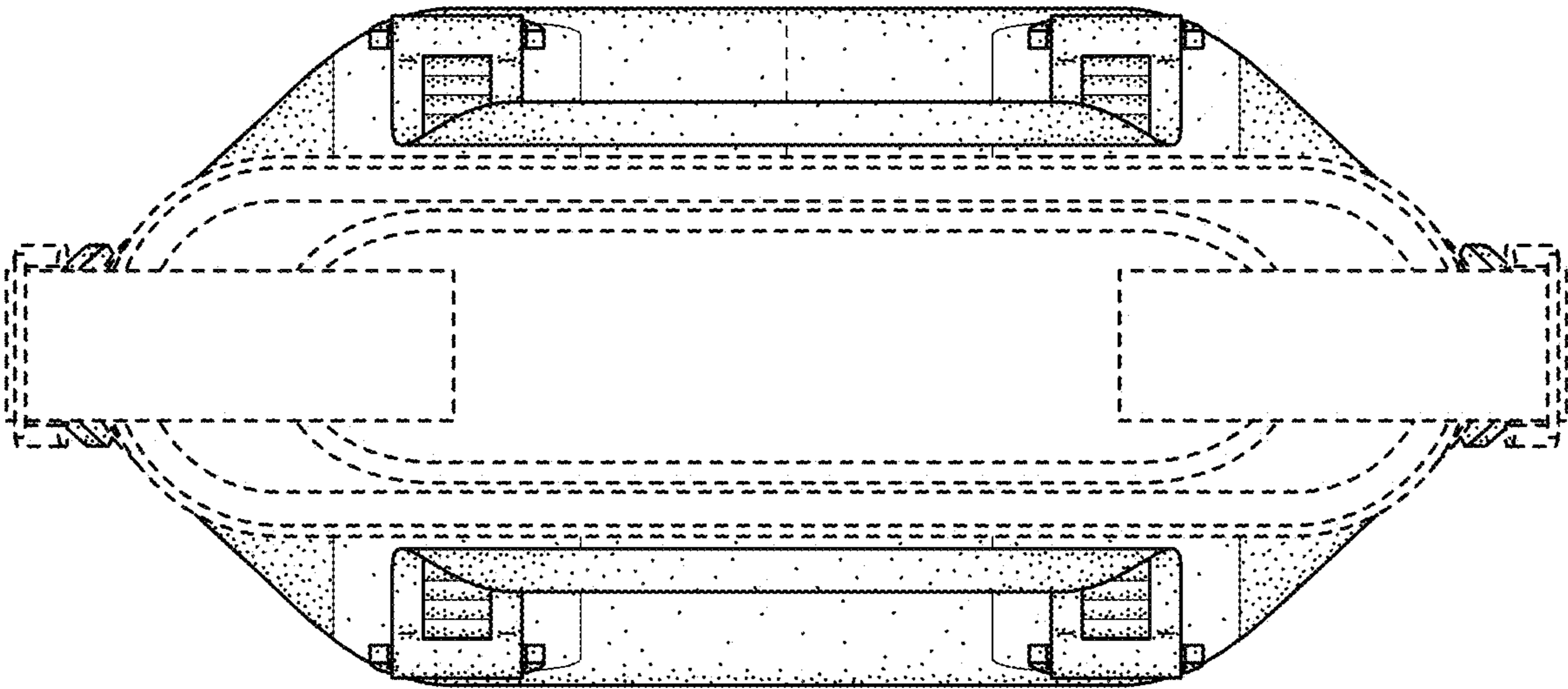


FIG. 6

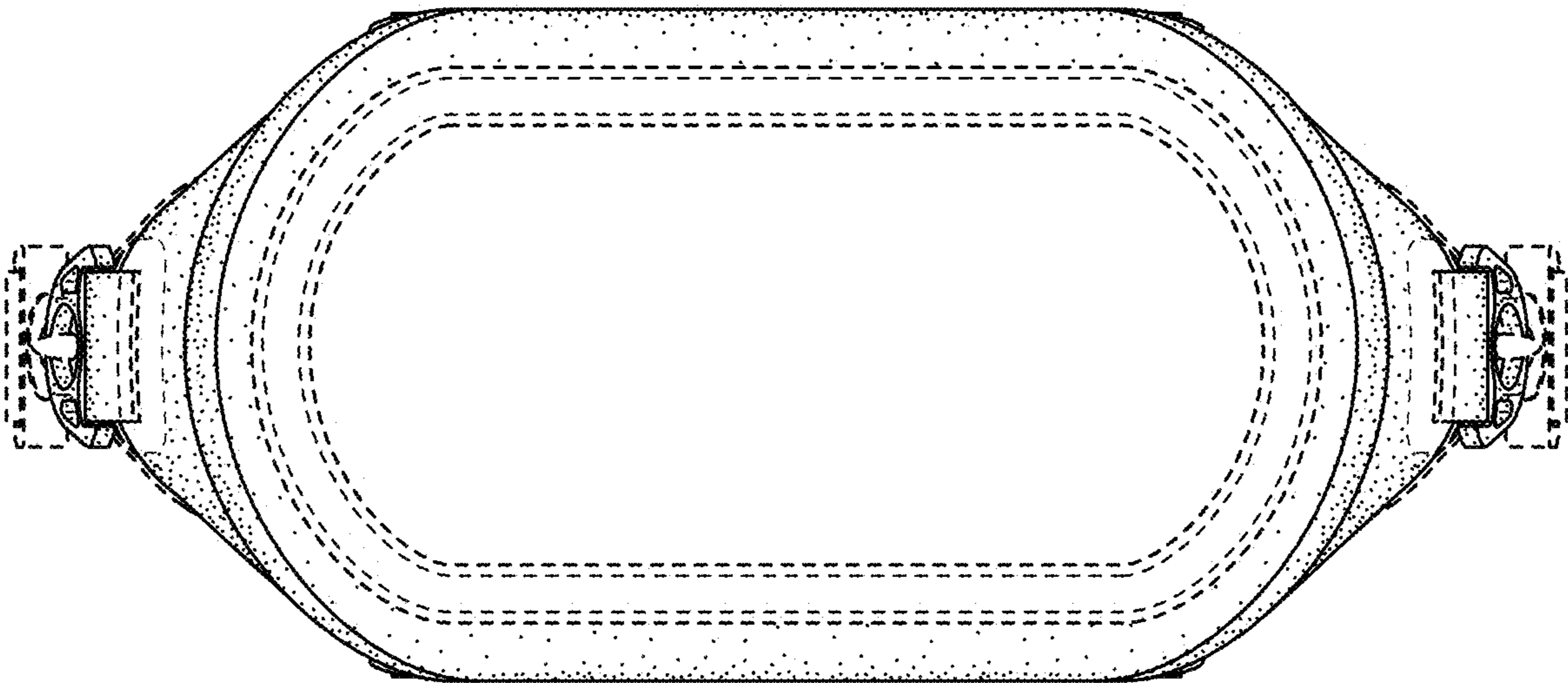


FIG. 7