



US00D871762S

(12) **United States Design Patent**
Woller et al.

(10) **Patent No.:** **US D871,762 S**
(45) **Date of Patent:** **** Jan. 7, 2020**

(54) **RECEPTACLE FOR GRANULAR MATERIAL**

D540,992 S * 4/2007 Fick D3/294
D559,759 S * 1/2008 Truan D12/221
D574,616 S * 8/2008 Tullney D3/281

(71) Applicant: **THE TORO COMPANY**,
Bloomington, MN (US)

(Continued)

(72) Inventors: **David Michael Woller**, Florence, WI
(US); **Stephen David Veihl**, Iron
Mountain, MI (US)

OTHER PUBLICATIONS

“Game CHANGER!!!!!!!!!!!!!!!!!!!!!!” via Boss Plows Discussion,
Plowsite, available Jun. 24, 2017, [online], [site visited Aug. 1,
2019]. Available from internet, URL: [https://www.plowsite.com/
threads/game-changer.170698/page-6](https://www.plowsite.com/threads/game-changer.170698/page-6) (Year: 2017).*

(Continued)

(73) Assignee: **THE TORO COMPANY**,
Bloomington, MN (US)

(**) Term: **15 Years**

Primary Examiner — W. A. Teddy Falloway

(21) Appl. No.: **29/608,578**

(74) *Attorney, Agent, or Firm* — Marshall, Gerstein &
Borun LLP

(22) Filed: **Jun. 22, 2017**

(51) **LOC (12) Cl.** **03-01**

(57) **CLAIM**

(52) **U.S. Cl.**
USPC **D3/294**; D15/13

The ornamental design for a receptacle for granular material,
as shown and described.

(58) **Field of Classification Search**
USPC D3/272, 273, 294, 905; D15/13, 28;
D34/8, 11; D12/221; 56/16.8, DIG. 5;
239/661, 650, 668

DESCRIPTION

CPC E01C 19/12; E01C 19/002; E01C 19/45;
E01C 19/46; E01C 19/48; E01C 19/20;
E01C 19/21; E01C 19/4813; E01C
19/482; E01C 23/03; E01C 23/065; E01C
23/07; E01C 23/098; E01C 23/166; A01C
17/008; A01C 15/02; A01G 29/00
See application file for complete search history.

FIG. 1 is a front perspective view of a receptacle for granular
material of the present invention;
FIG. 2 is a front elevation view of the invention illustrated
in FIG. 1;
FIG. 3 is a rear elevation view of the invention illustrated in
FIG. 1;
FIG. 4 is a right side view of the invention illustrated in FIG.
1;
FIG. 5 is a left side view of the invention illustrated in FIG.
1;
FIG. 6 is a top plan view of the invention illustrated in FIG.
1; and,
FIG. 7 is a bottom plan view of the invention illustrated in
FIG. 1.

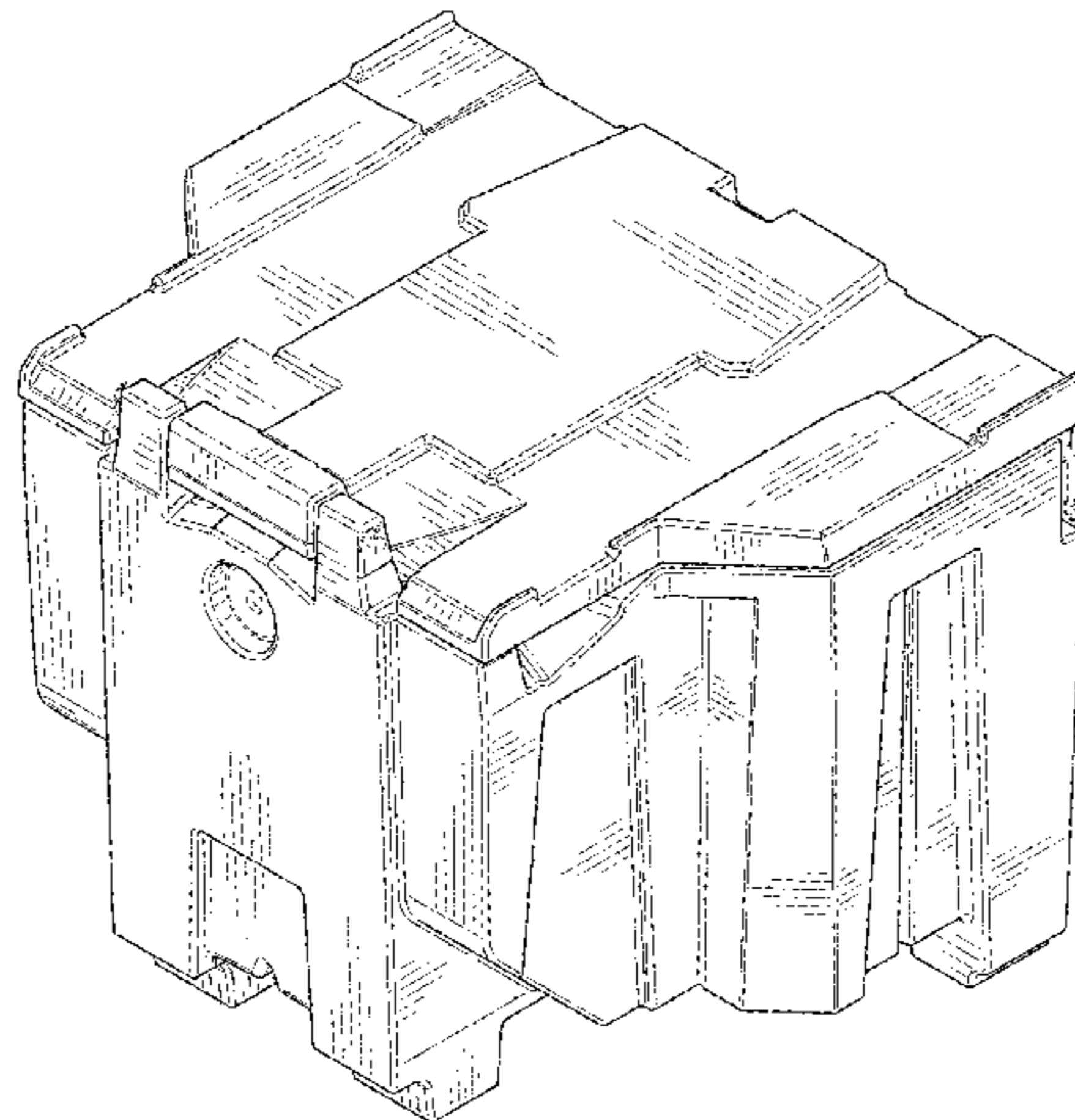
The broken lines in the drawings illustrate portions of the
receptacle for granular material and form no part of the
claimed design.

(56) **References Cited**

U.S. PATENT DOCUMENTS

D338,756 S * 8/1993 Pink D34/1
D338,893 S * 8/1993 Simpson D15/13
D359,963 S * 7/1995 Pink D15/13
D368,914 S * 4/1996 Pink D15/13
D402,670 S * 12/1998 Becker D15/13
D425,915 S * 5/2000 Truan D15/13
D510,802 S * 10/2005 Sagol D3/273
D520,524 S * 5/2006 Sandler D12/15

1 Claim, 7 Drawing Sheets



(56)

References Cited

U.S. PATENT DOCUMENTS

D587,452	S *	3/2009	Bisson	D3/272
D610,591	S *	2/2010	Choi	D15/13
D662,522	S *	6/2012	Simpson	D15/13
D673,586	S *	1/2013	Truan	D15/13
D688,866	S *	9/2013	Lalo	D3/272
D693,535	S *	11/2013	Henderson	D99/28
D777,216	S *	1/2017	Allemeier	D15/28
D803,561	S *	11/2017	Kuhls	D3/281
D829,773	S *	10/2018	Stewart	D15/13
D854,833	S *	7/2019	Gillogly	D3/318
2011/0220742	A1 *	9/2011	Sandler	E01C 19/203 239/661
2014/0231553	A1 *	8/2014	Truan	E01C 19/203 239/661

OTHER PUBLICATIONS

Quickcube by Boss Snowplow, available Mar. 4, 2019, [online], [site visited Aug. 1, 2019]. Available from internet, URL: [https://](https://web.archive.org/web/20190304020045/https://www.bossplo.com/en/products/heavy-equipment/quickcube-system)

web.archive.org/web/20190304020045/https://www.bossplo.com/en/products/heavy-equipment/quickcube-system (Year: 2019).*

GIE+EXPO, Hardscape North America 2016—Photo Gallery, available Oct. 24, 2016, [online], [site visited Aug. 1, 2019]. Available from internet, URL: <https://www.greenindustrypros.com/business/media-gallery/12272327/gieexpo-hardscape-north-america-2016-photo-gallery> (Year: 2016).*

Meyer 600lb Ice Melt Storage System, available Nov. 20, 2012, [online], [site visited Aug. 1, 2019]. Available from internet, URL: <https://www.homedepot.com/p/Meyer-600-lb-Ice-Melt-Storage-System-32403/202326164> (Year: 2012).*

SnowEx 11 Cu. Ft. Capacity Salt Box, available Aug. 1, 2019, [online], [site visited Aug. 1, 2019]. Available from internet, URL: <https://www.globalindustrial.com/p/outdoor-grounds-maintenance/snow-removal/salt-spreaders-plows/11-cu-ft-capacity-salt-box-sb-1100> (Year: 2019).*

Low Profile Pickup Truck Tailgate Salt Spreader, available Dec. 14, 2016, [online], [site visited Aug. 1, 2019]. Available from internet, URL: <https://www.globalindustrial.com/p/outdoor-grounds-maintenance/snow-removal/salt-spreaders-plows/low-profile-pickup-truck-tailgate-salt-spreader-11-cu-ft-capacity> (Year: 2016).*

* cited by examiner

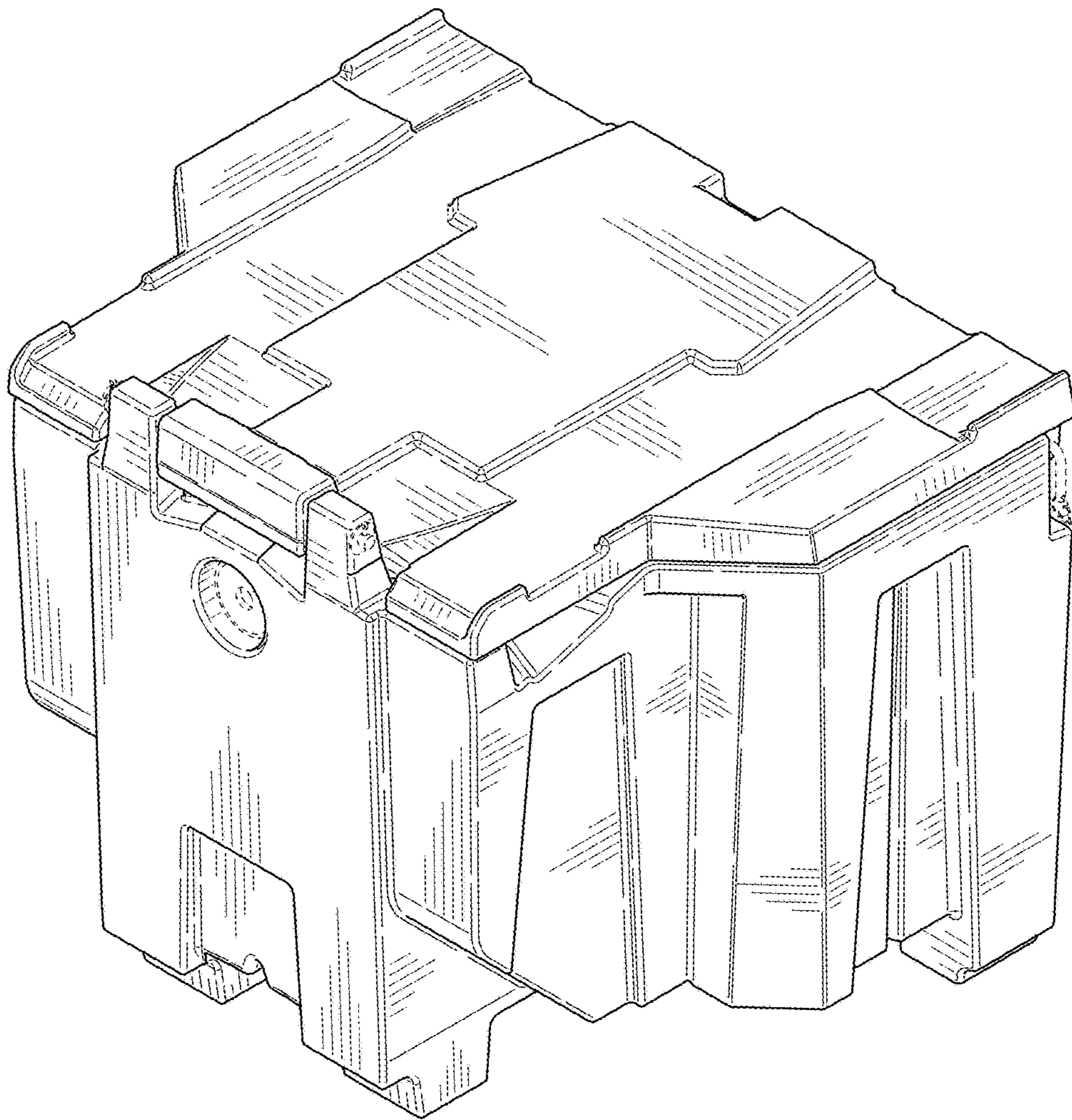


FIG. 1

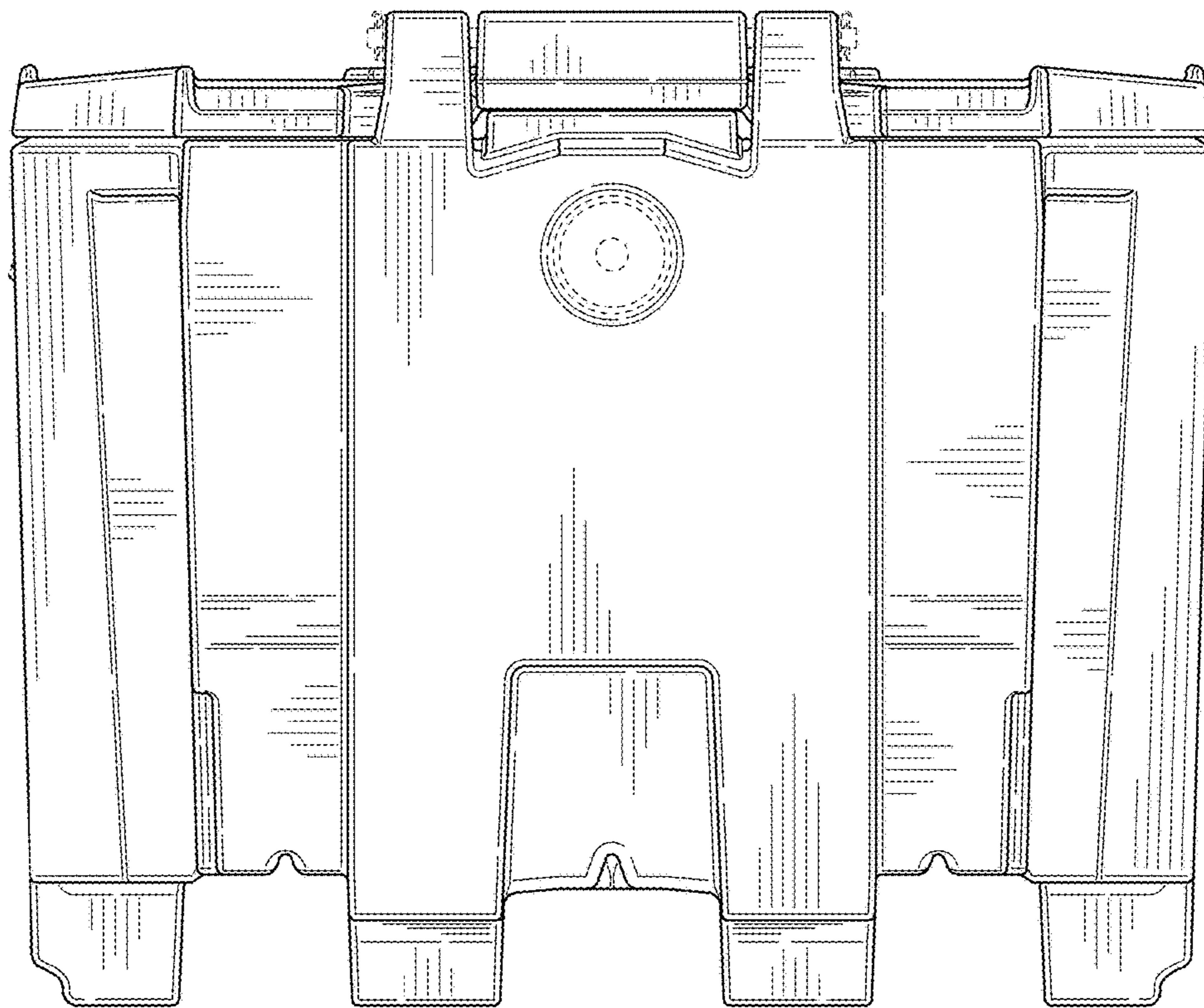


FIG. 2

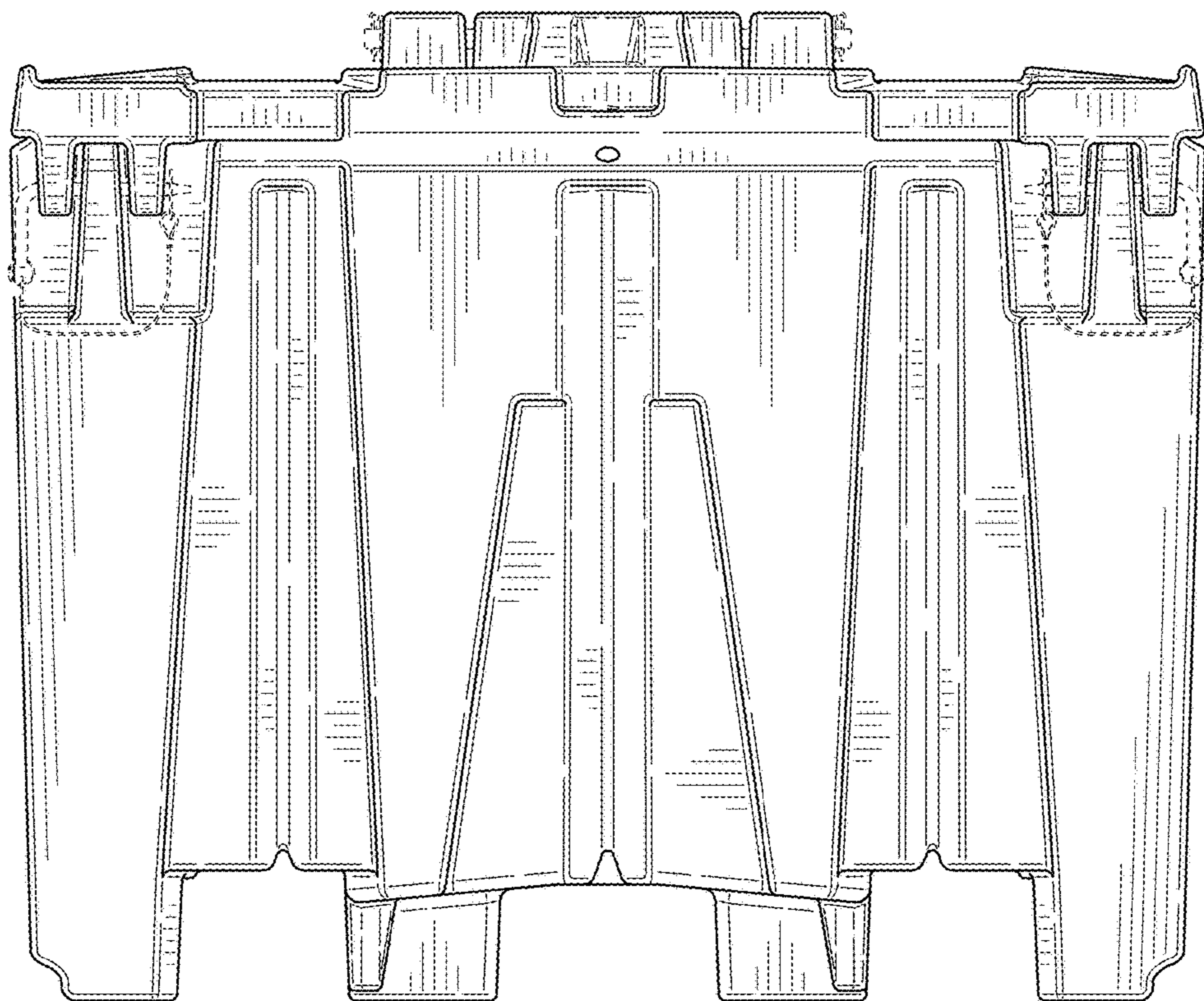


FIG. 3

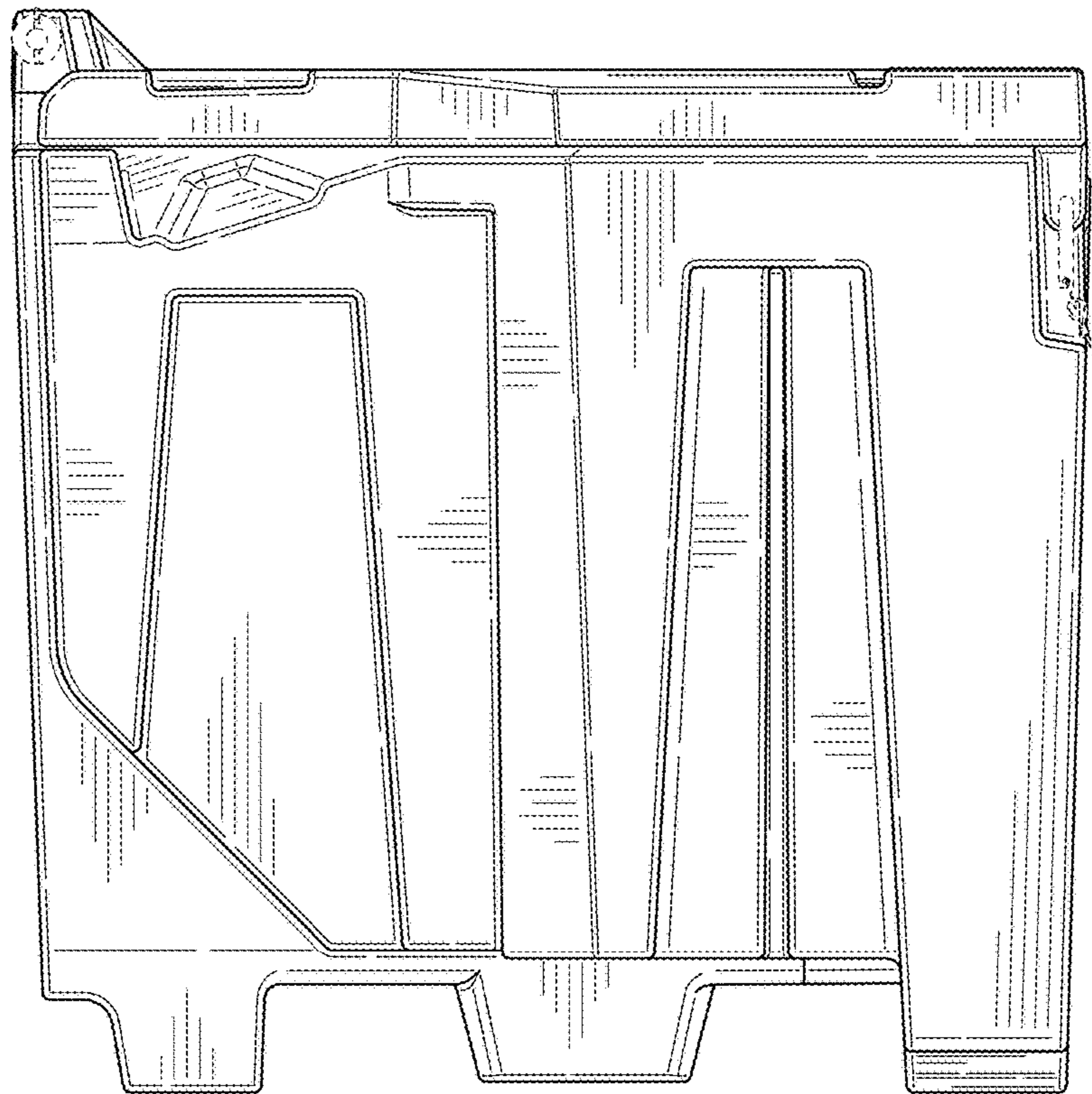


FIG. 4

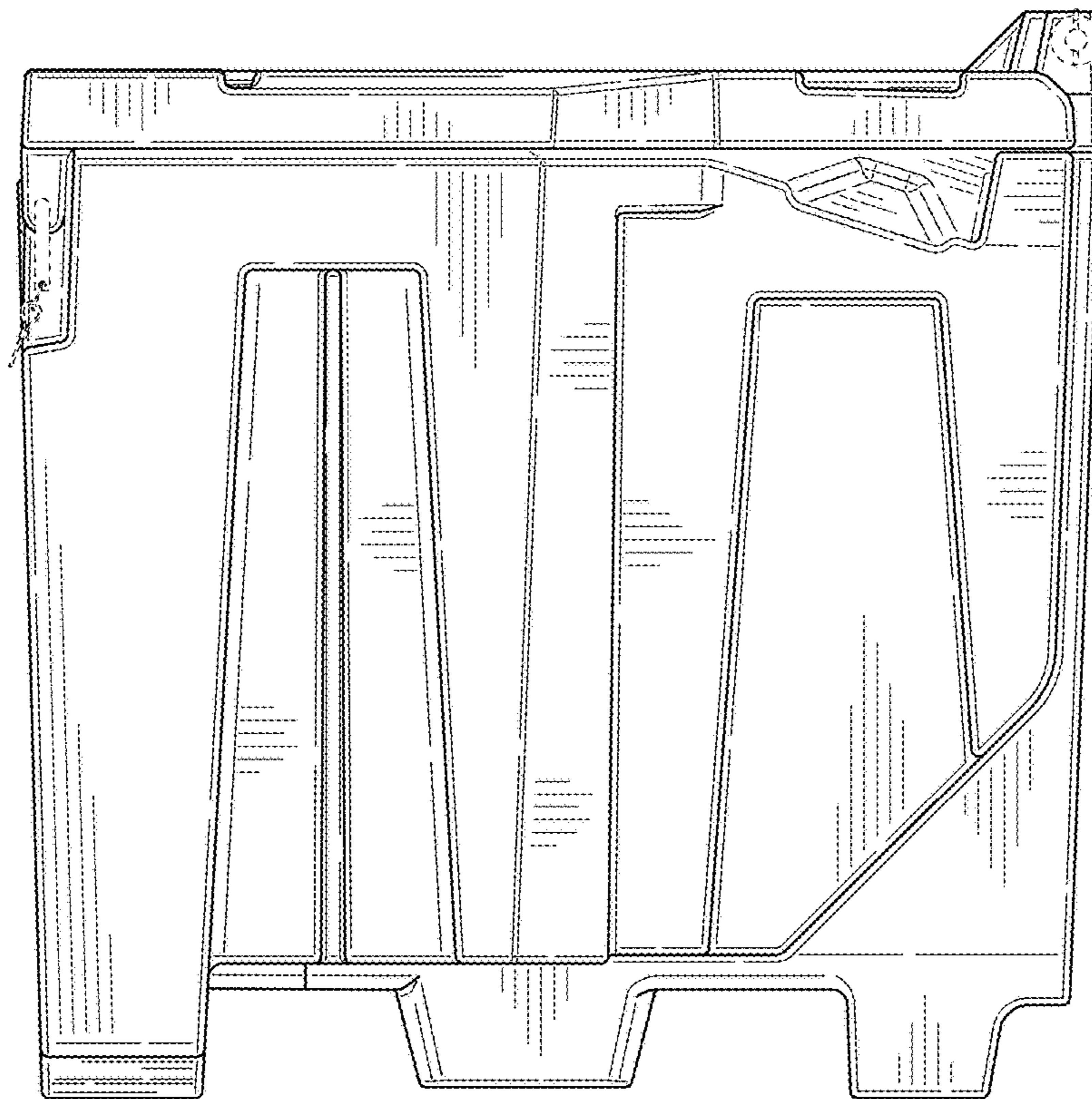


FIG. 5

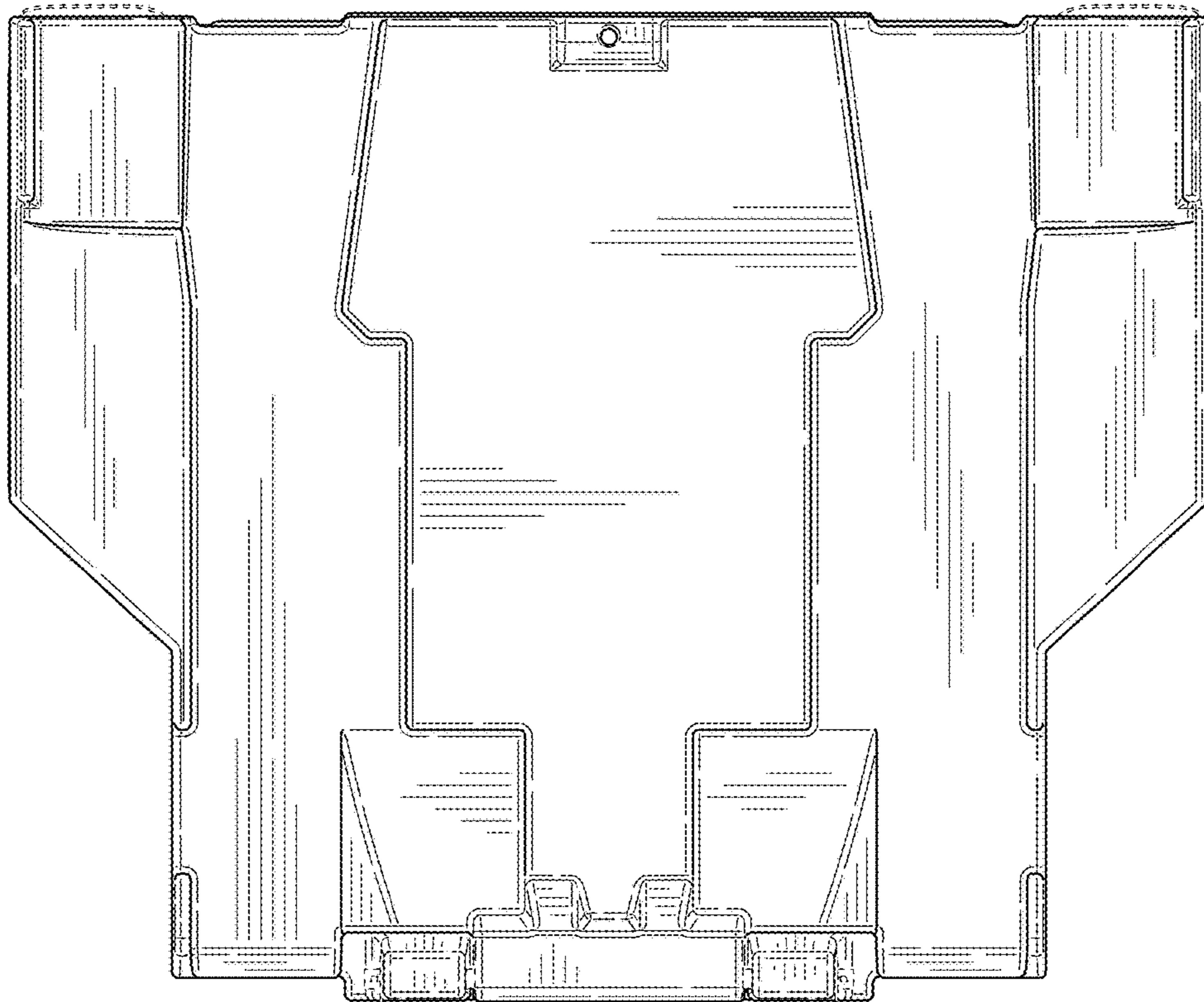


FIG. 6

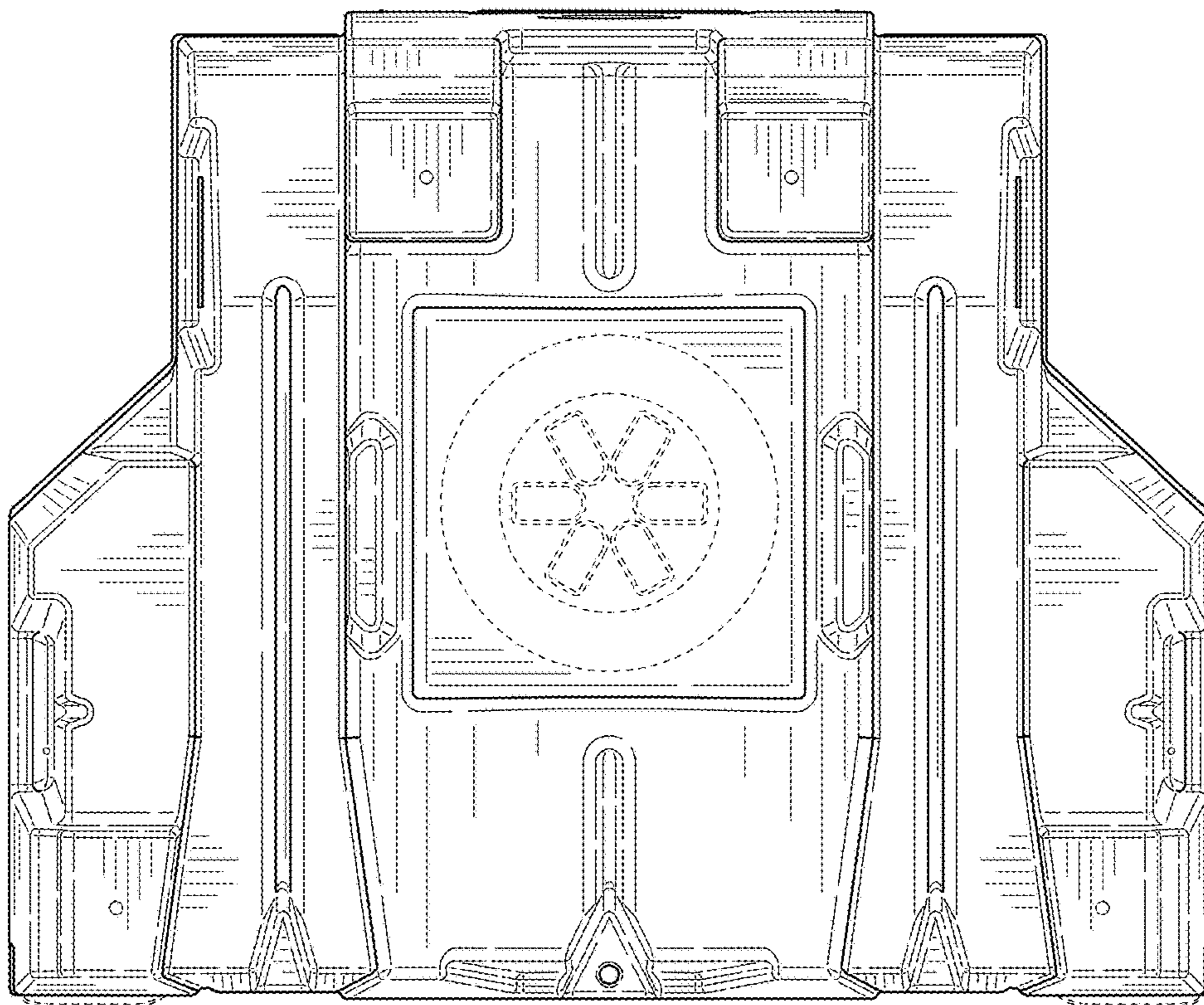


FIG. 7