



US00D871759S

(12) **United States Design Patent**  
**Ma**

(10) **Patent No.:** **US D871,759 S**  
(45) **Date of Patent:** **\*\* Jan. 7, 2020**

(54) **CASING WITH WALLET FOR ELECTRONIC DEVICE**

(74) *Attorney, Agent, or Firm* — Novoclaims Patent Services LLC; Mei Lin Wong

(71) Applicant: **Rong Ma**, Guangzhou (CN)

(57) **CLAIM**

(72) Inventor: **Rong Ma**, Guangzhou (CN)

The ornamental design for a casing with wallet for electronic device, as shown and described.

(\*\*) Term: **15 Years**

(21) Appl. No.: **29/660,712**

**DESCRIPTION**

(22) Filed: **Aug. 22, 2018**

(51) **LOC (12) Cl.** ..... **03-01**

(52) **U.S. Cl.**  
USPC ..... **D3/249**

(58) **Field of Classification Search**  
USPC ..... D3/247, 249–253; D14/250  
CPC ..... A45C 3/08; A45C 1/06  
See application file for complete search history.

FIG. 1 is a front right perspective view of a casing with wallet for electronic device showing my new design; FIG. 2 is a front left perspective view thereof; FIG. 3 is a front view thereof; FIG. 4 is a rear view thereof; FIG. 5 is a left side view thereof; FIG. 6 is a right side view thereof; FIG. 7 is a top view thereof; FIG. 8 is a bottom view thereof; FIG. 9 is a front right perspective view thereof, shown in an open position; FIG. 10 is a rear perspective view thereof, shown in an open position; and, FIG. 11 is a reduced front left perspective view thereof, illustrating the casing with wallet for electronic device in use with a neck lanyard.

(56) **References Cited**

**U.S. PATENT DOCUMENTS**

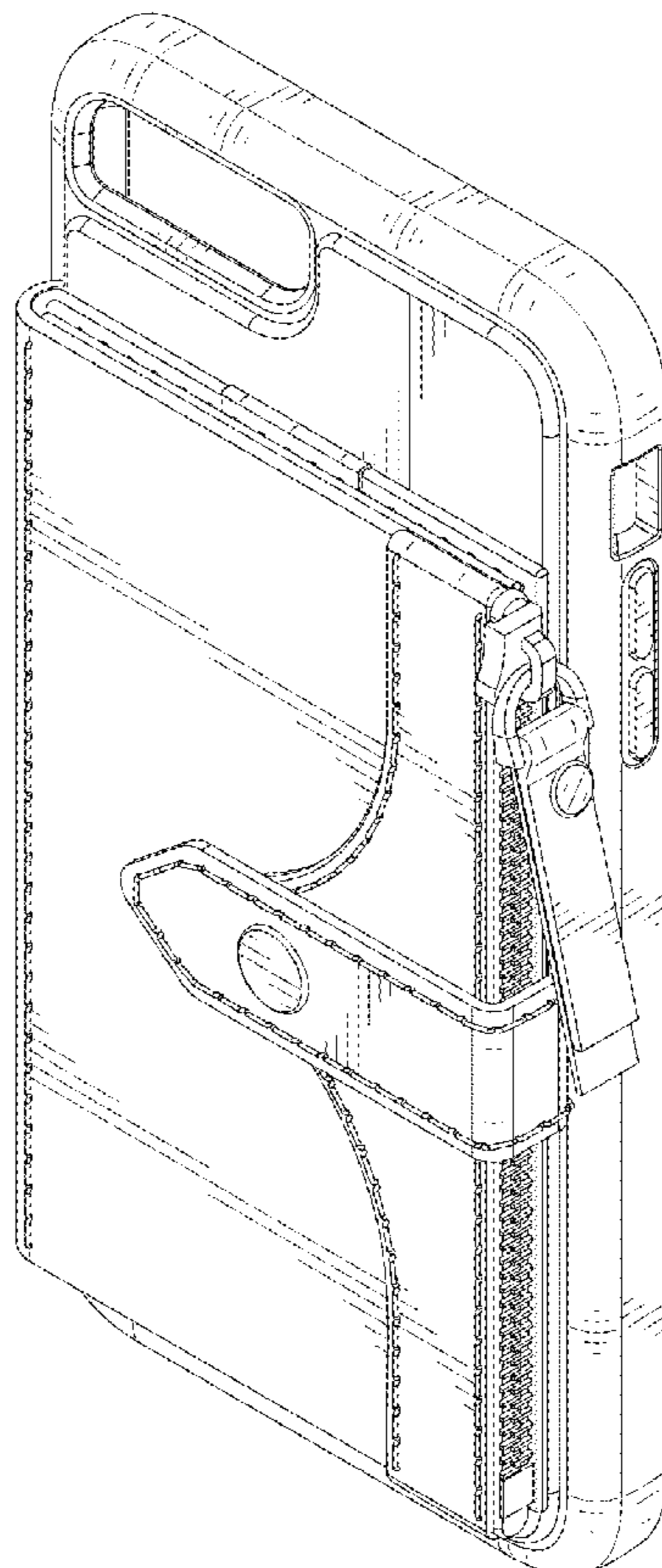
D367,956 S *	3/1996	Peters	.....	D3/232
D446,930 S *	8/2001	Bodony	.....	D3/233
D467,071 S *	12/2002	Bodony	.....	D3/233
D839,859 S *	2/2019	Zhang	.....	D14/250
D849,734 S *	5/2019	Wu	.....	D14/250

\* cited by examiner

The broken lines in the drawings represent unclaimed environmental subject matter that forms no part of the claimed design.

*Primary Examiner* — Holly H Baynham

**1 Claim, 11 Drawing Sheets**



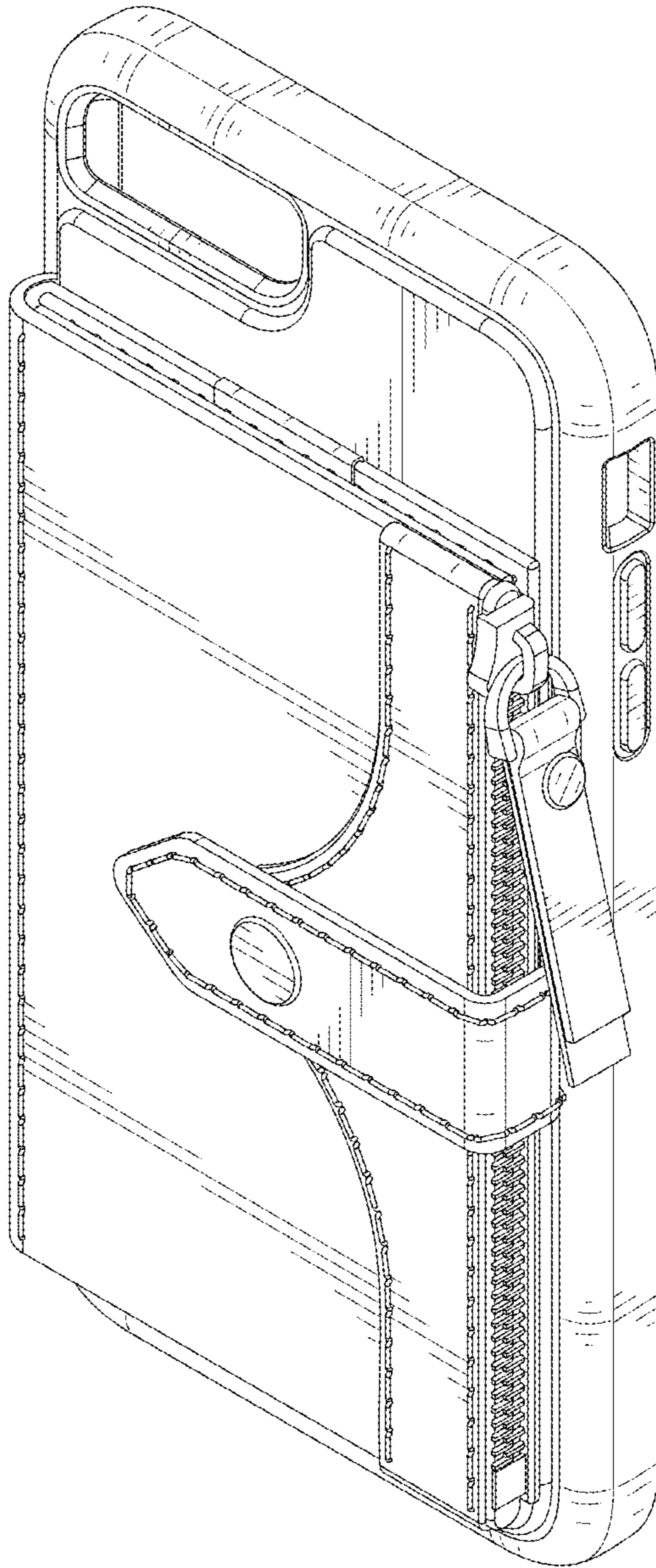


FIG.1

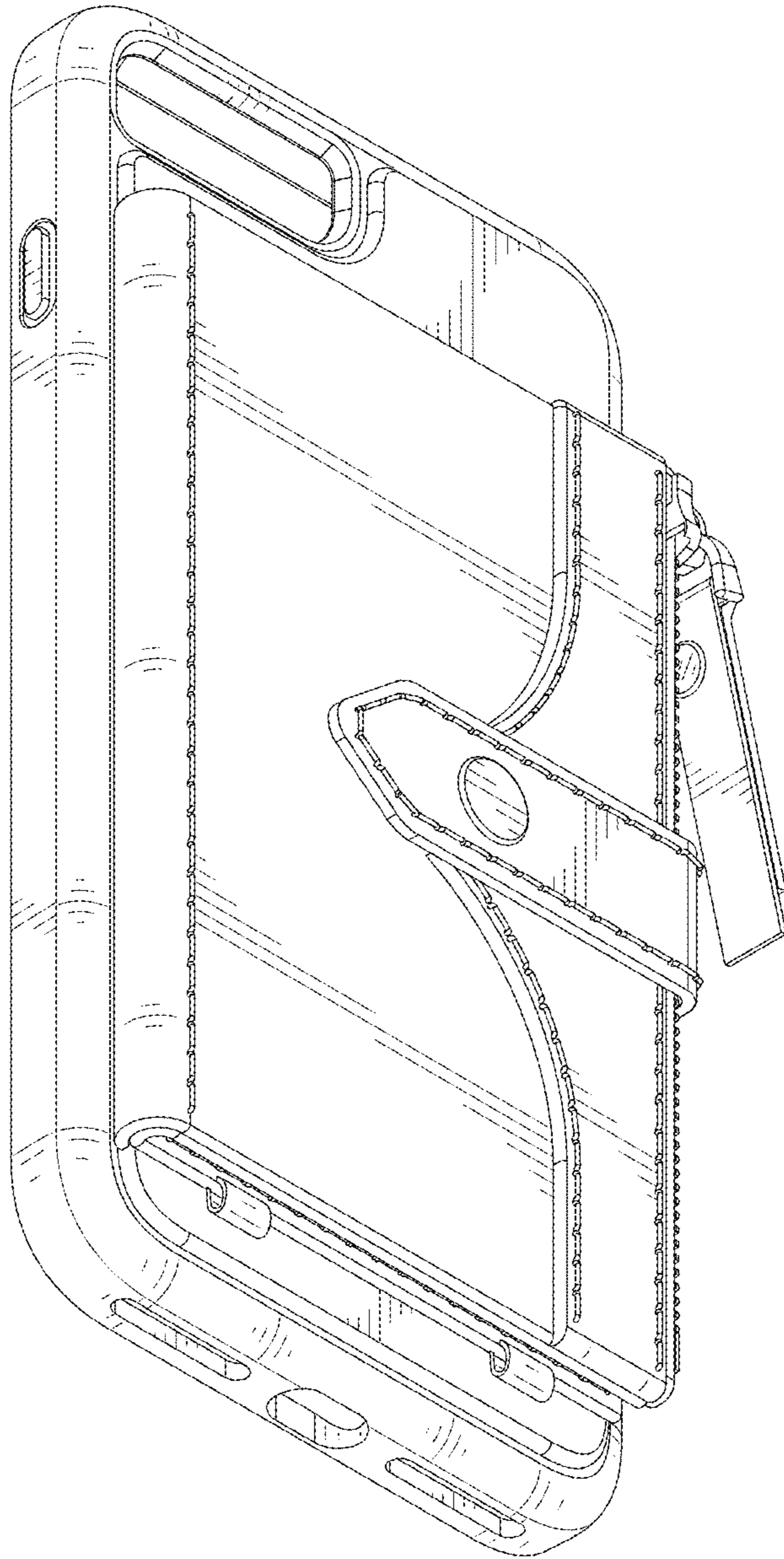


FIG.2

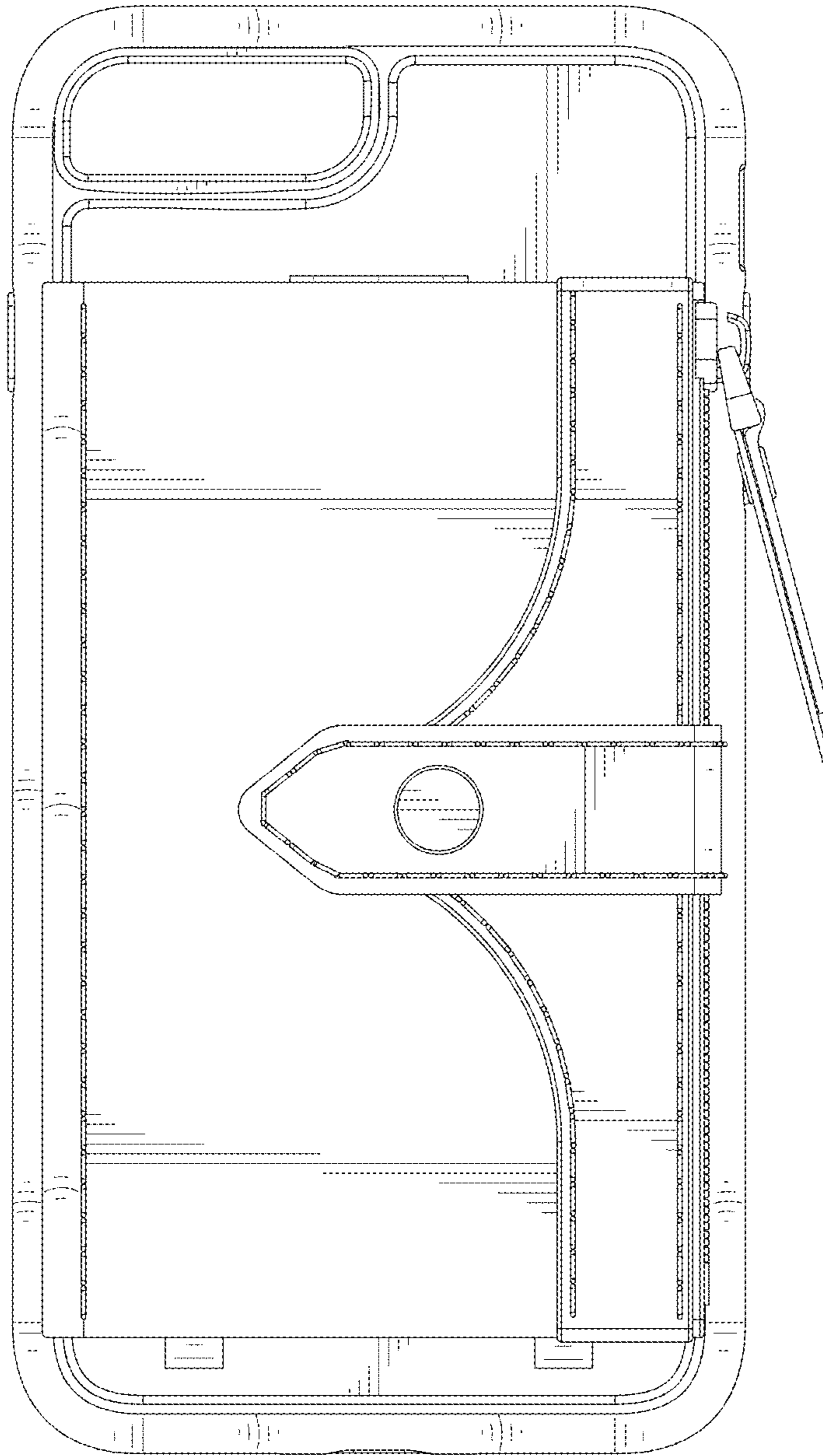


FIG.3

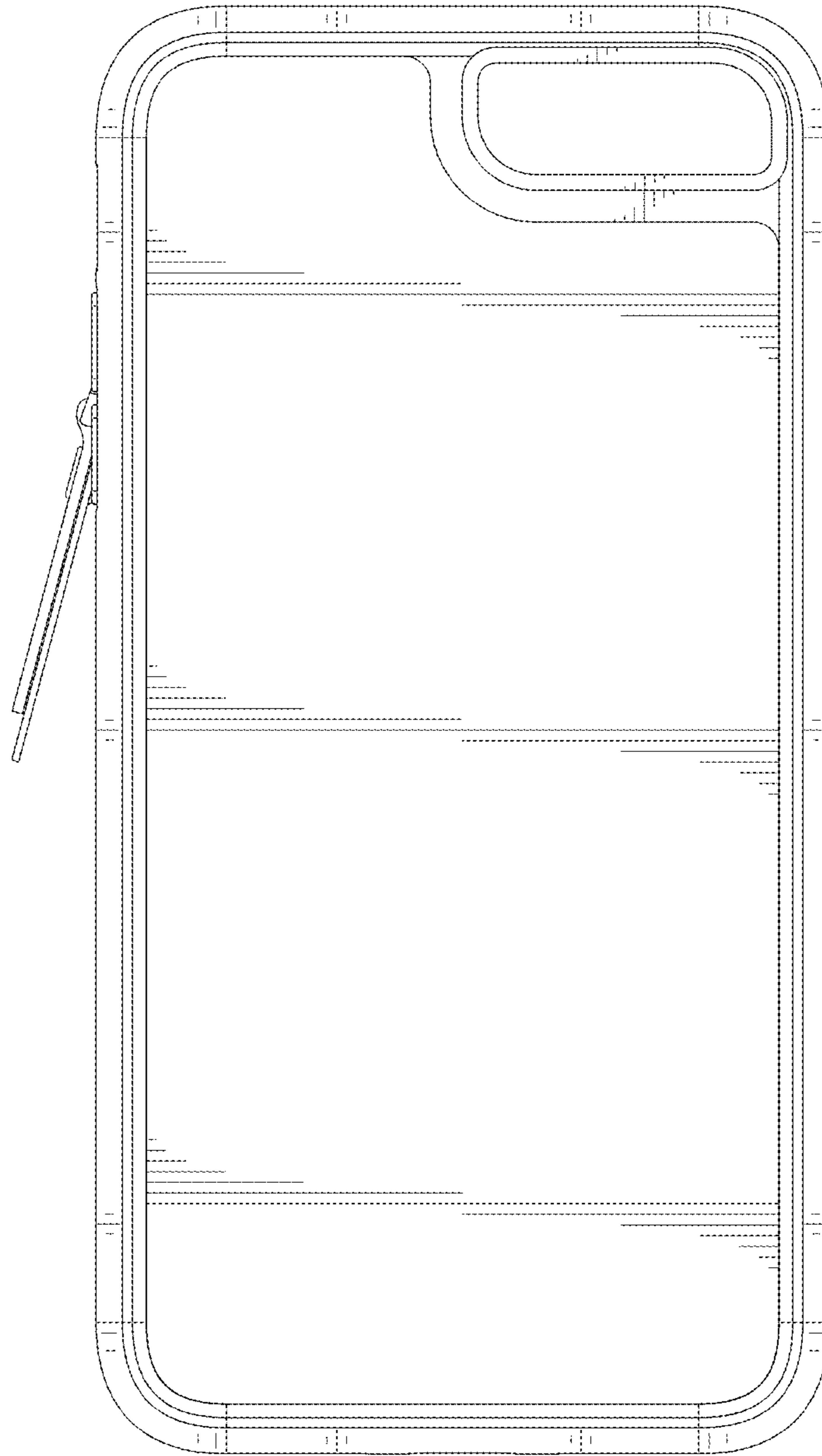


FIG.4

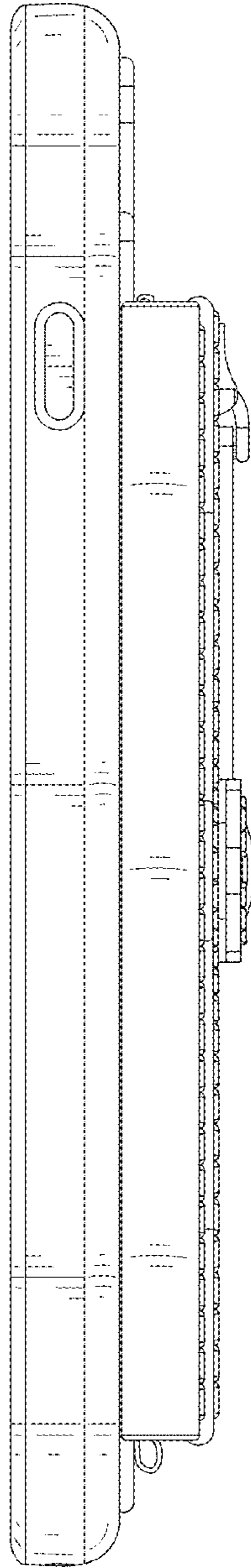


FIG.5

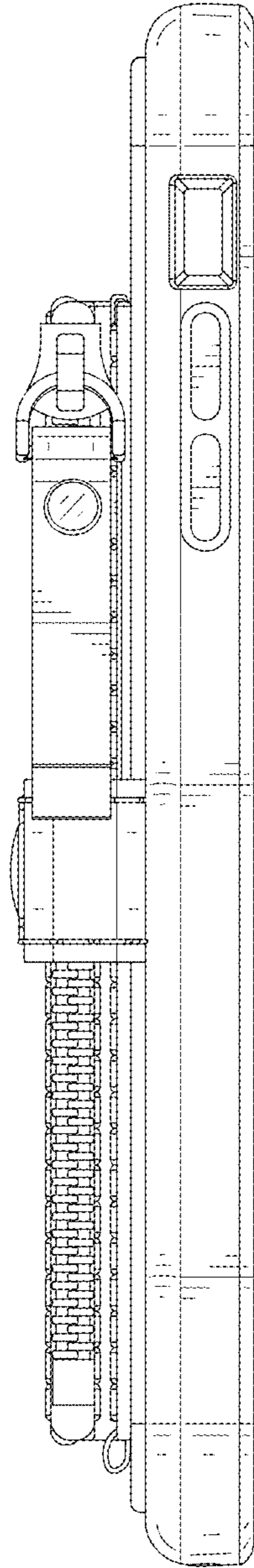


FIG.6

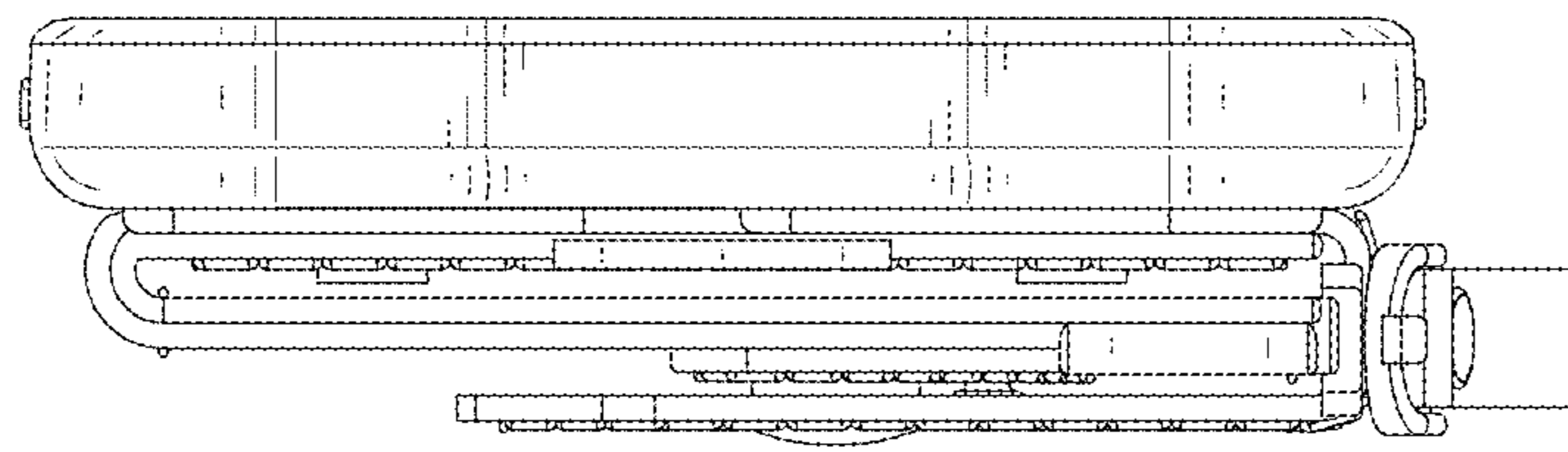


FIG.7



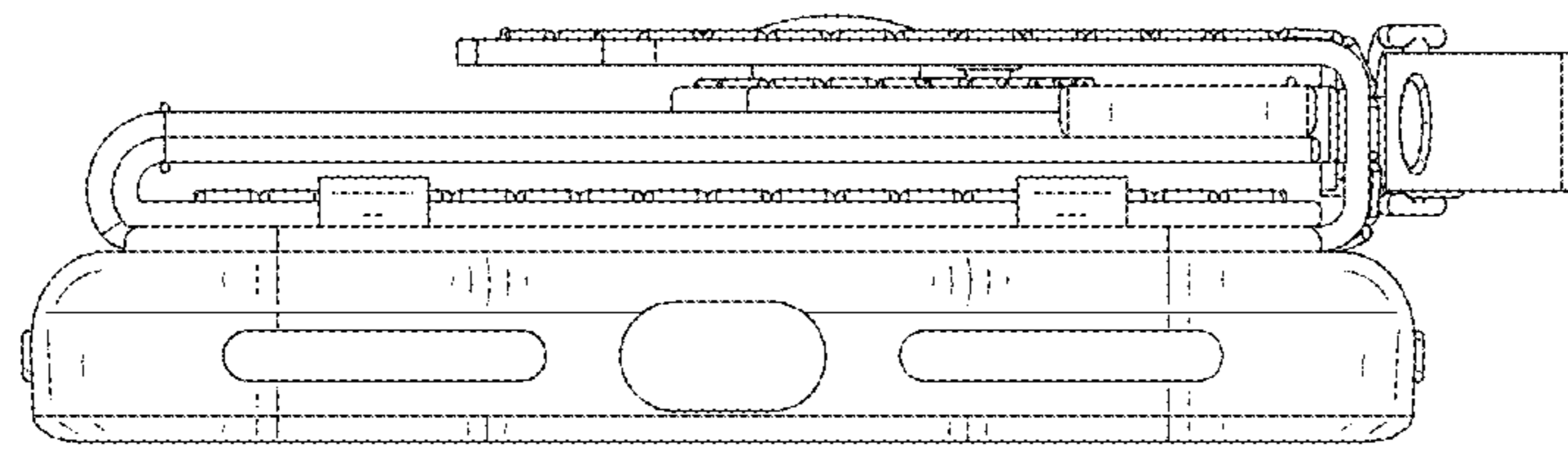


FIG.8

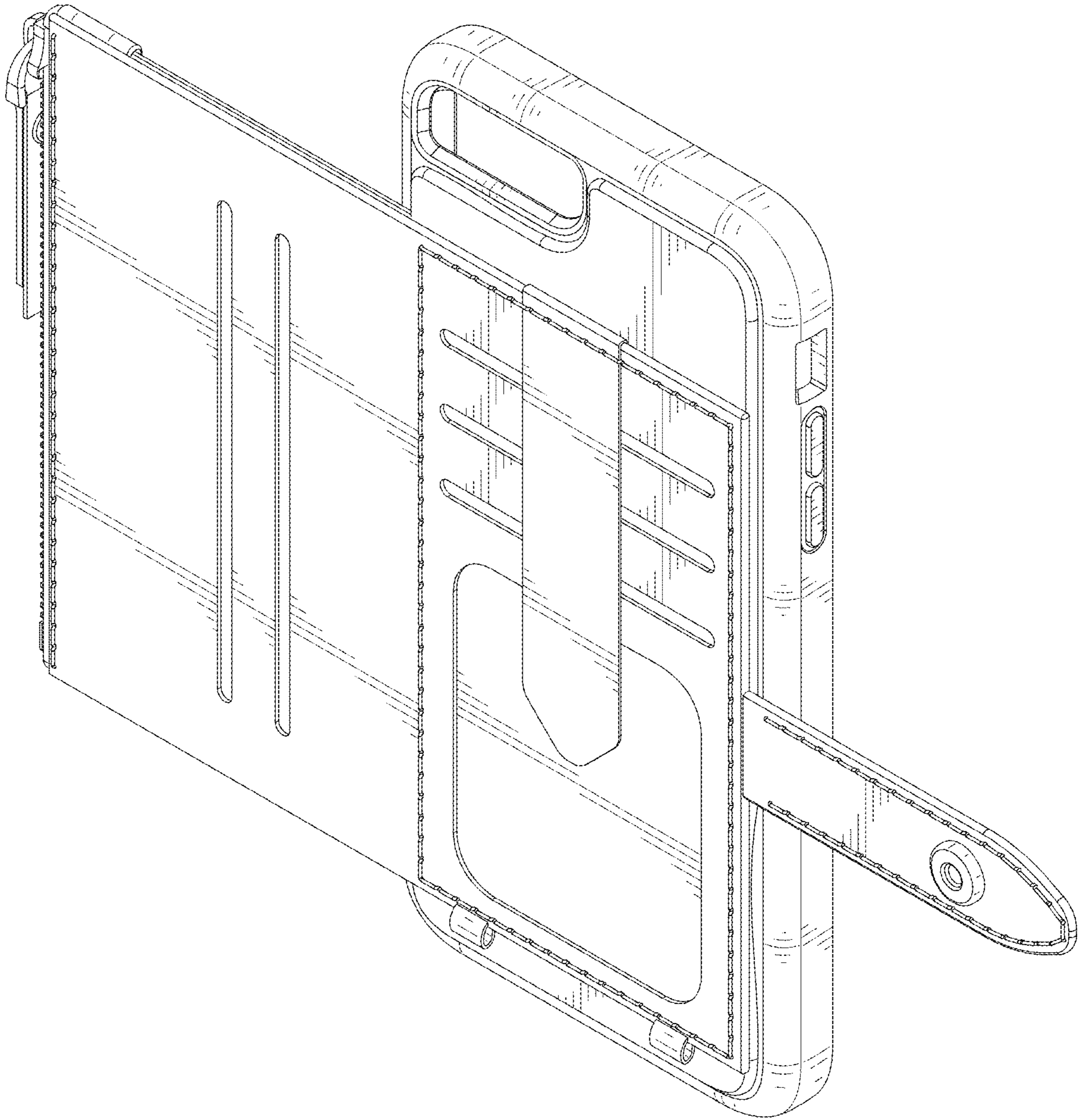


FIG.9

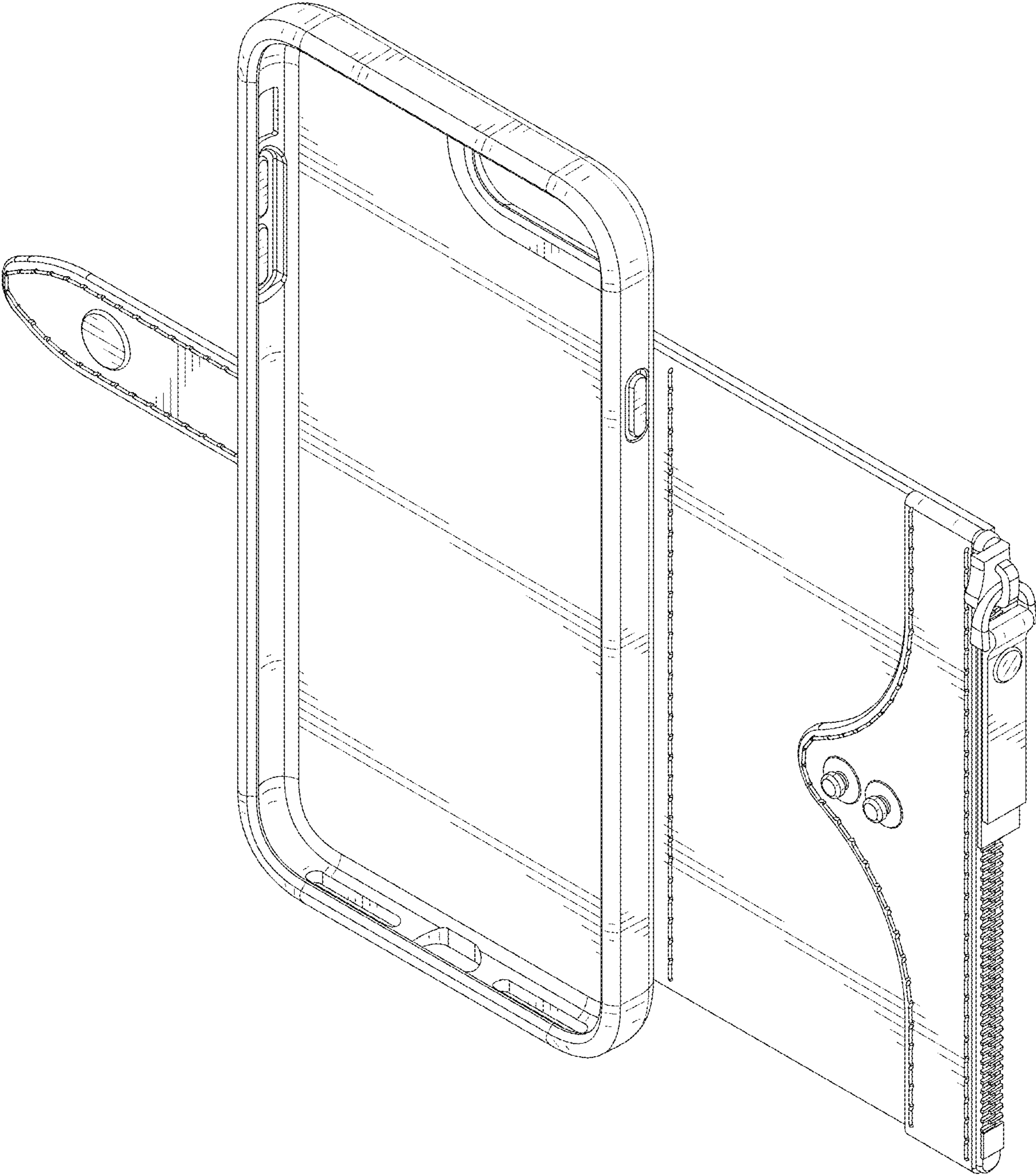


FIG.10

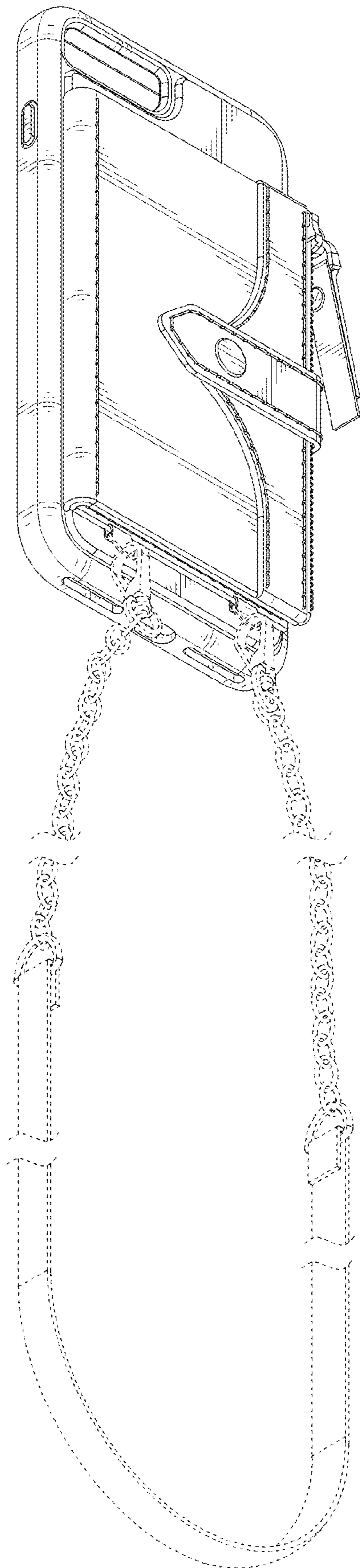


FIG.11