



US00D871754S

(12) **United States Design Patent**
Feng

(10) **Patent No.:** **US D871,754 S**
(45) **Date of Patent:** **** Jan. 7, 2020**

(54) **CELL PHONE LANYARD CASE**
(71) Applicant: **Youqing Feng**, Guangdong (CN)
(72) Inventor: **Youqing Feng**, Guangdong (CN)

D770,169 S * 11/2016 Patulski D3/215
D821,743 S * 7/2018 Cao D3/218
D856,321 S * 8/2019 Khalsa D14/253

(73) Assignee: **Guangzhou Landscape Communication Equipment Co., Ltd.**,
Guangzhou, Guangdong (CN)

OTHER PUBLICATIONS

Ebay.com, Cell Phone Lanyard Shockproof Case with Adjustable Comfortable Neck Lanyard . . . New, 1995-2019.*
Brilliant Promos.com, Silicone Lanyard Smart Phone and Card Holder (Year: 2019).*

(**) Term: **15 Years**

* cited by examiner

(21) Appl. No.: **29/663,637**

Primary Examiner — Catherine R Oliver-Garcia

(22) Filed: **Sep. 18, 2018**

(57) **CLAIM**

(51) **LOC (12) Cl.** **03-01**

I claim the ornamental design for a cell phone lanyard case, as shown and described.

(52) **U.S. Cl.**

USPC **D3/218**

DESCRIPTION

(58) **Field of Classification Search**

USPC D3/218, 215, 226; 224/219, 222, 267, 224/269; D14/253, 250-251

CPC A45F 3/00; A45F 3/005; A45F 5/00; A45F 5/02; A45F 5/021; A45C 13/021; H04B 1/3888

See application file for complete search history.

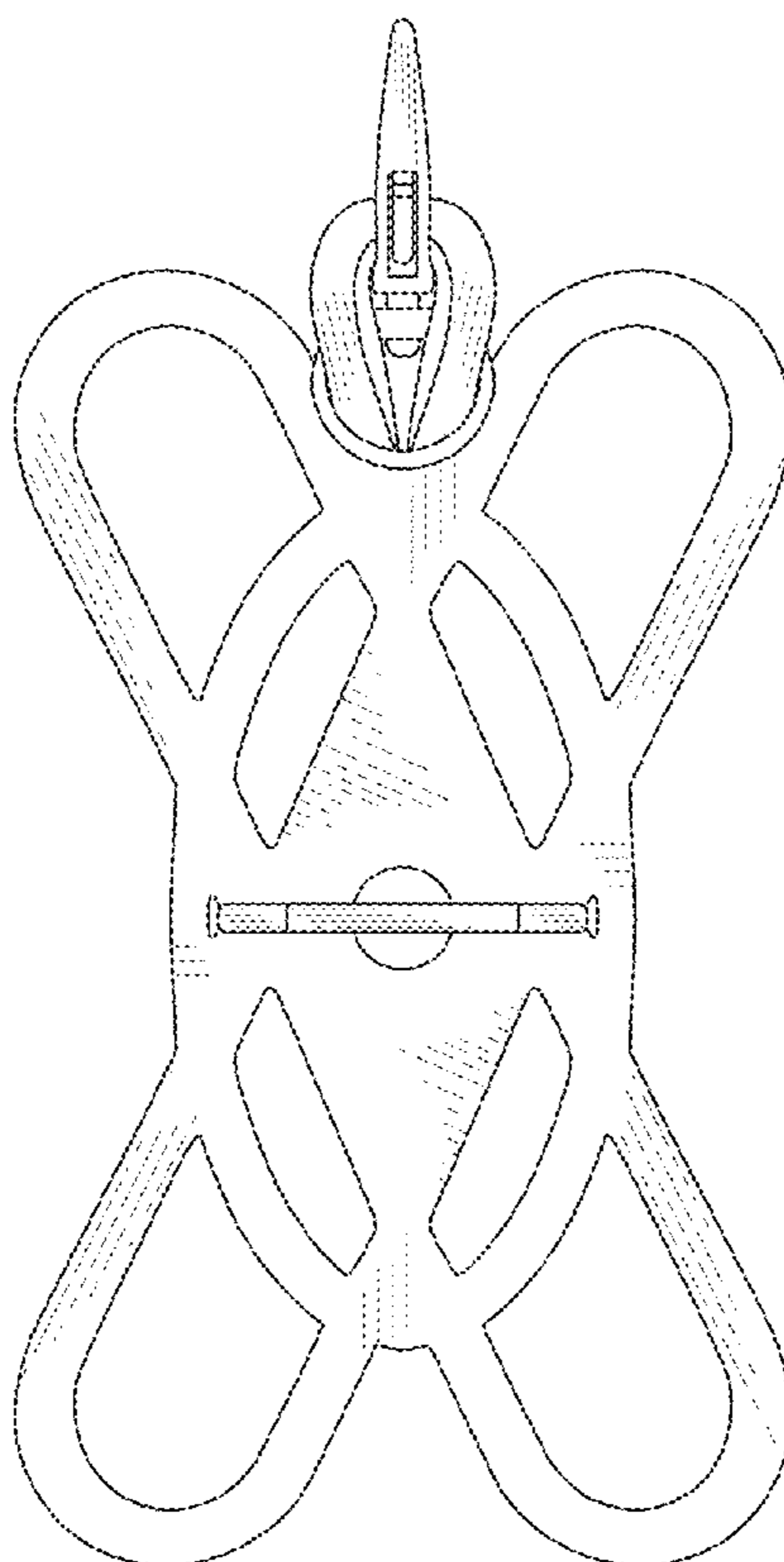
FIG. 1 is a perspective view of a cell phone lanyard case showing my new design;
FIG. 2 is a front elevational view thereof;
FIG. 3 is a rear elevational view thereof;
FIG. 4 is a left side elevational view thereof;
FIG. 5 is a right side elevational view thereof;
FIG. 6 is a top plan view thereof;
FIG. 7 is a bottom plan view thereof; and,
FIG. 8 is a perspective view thereof shown the state in use. The broken lines shown depict environment that forms no part of the claimed design.

(56) **References Cited**

U.S. PATENT DOCUMENTS

D689,853 S * 9/2013 Smith D14/253
D717,538 S * 11/2014 Bransfield D3/218
9,219,516 B2 * 12/2015 Haymond H04B 1/3888

1 Claim, 8 Drawing Sheets



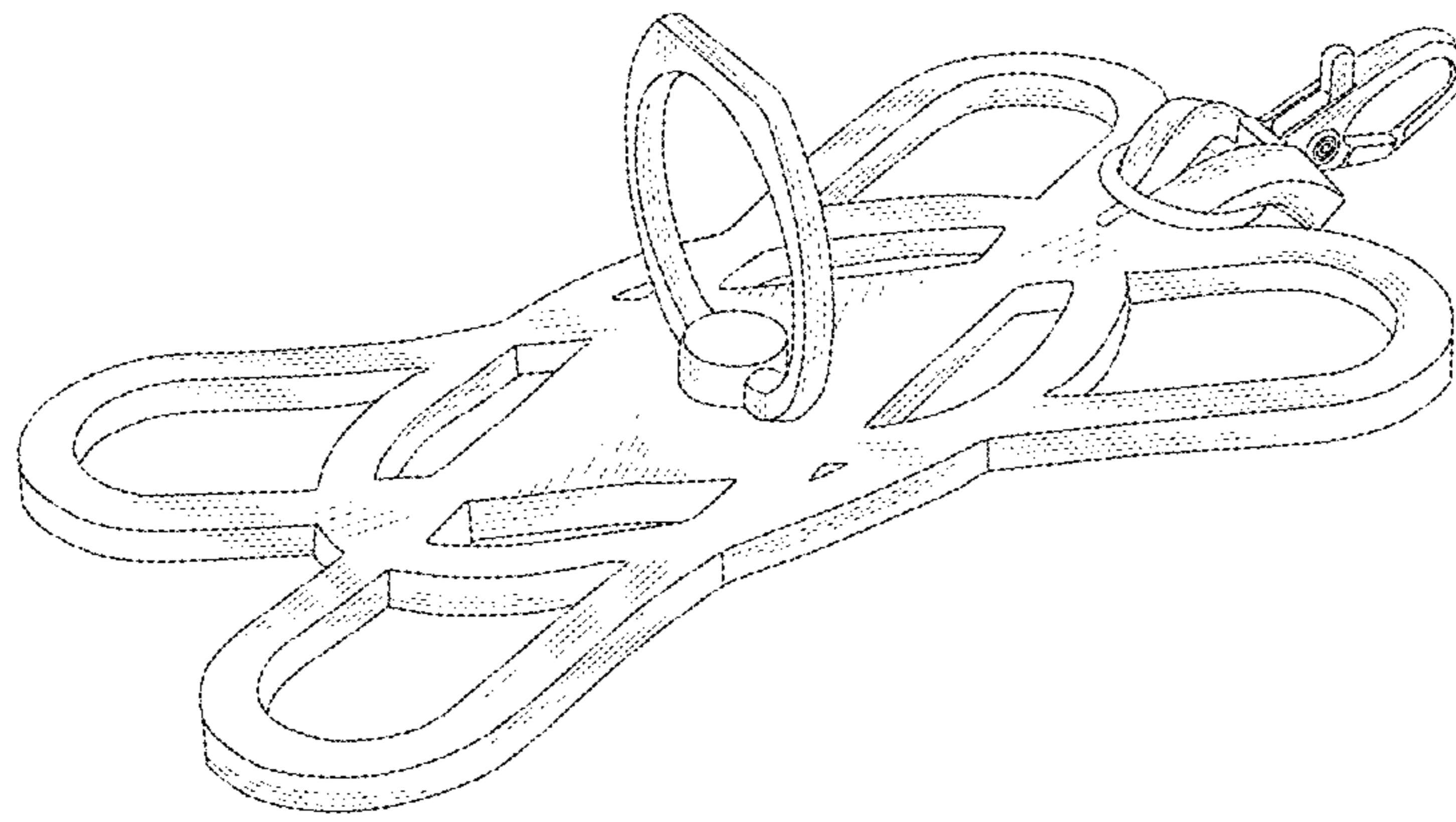


FIG.1

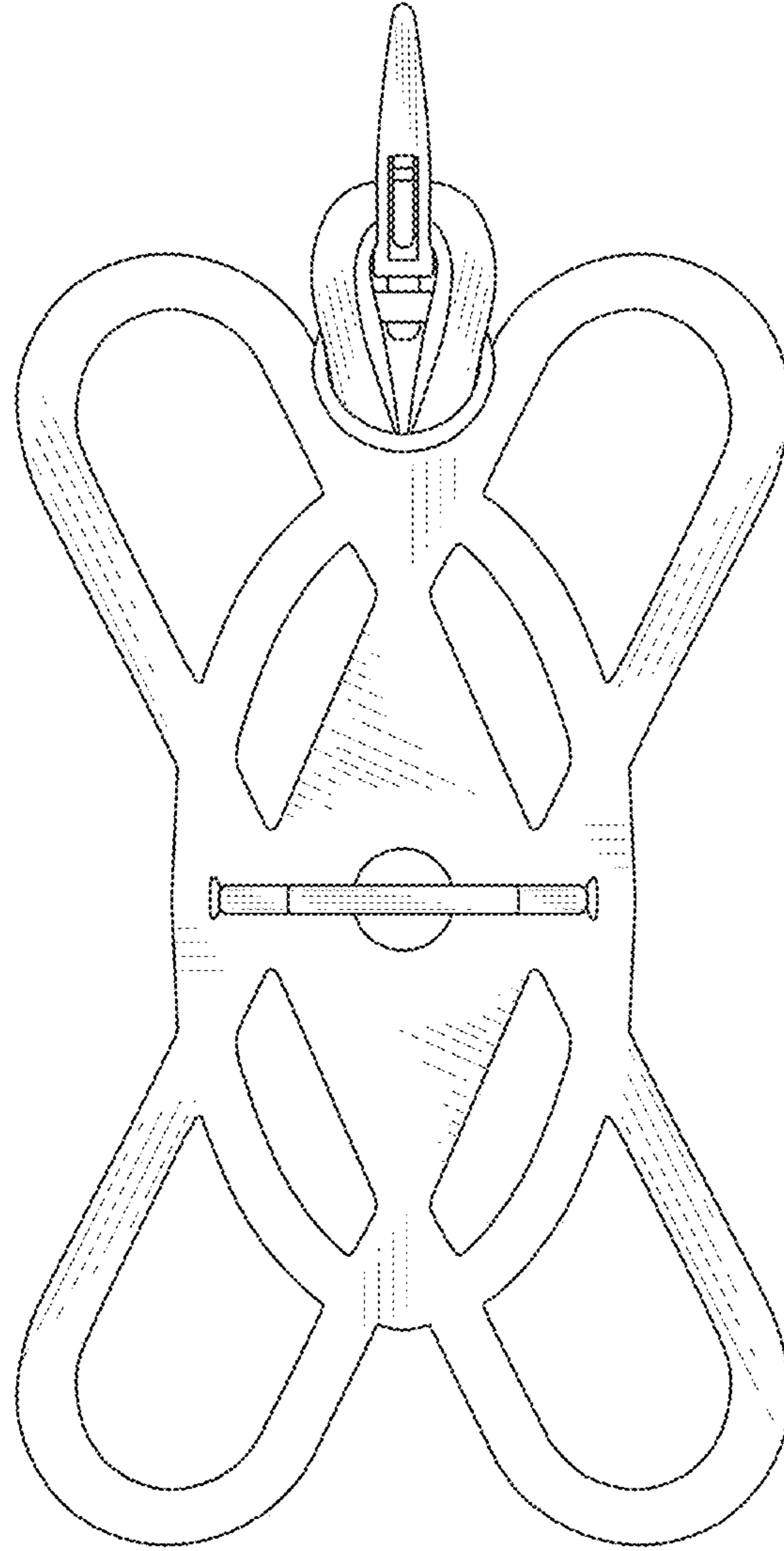


FIG.2

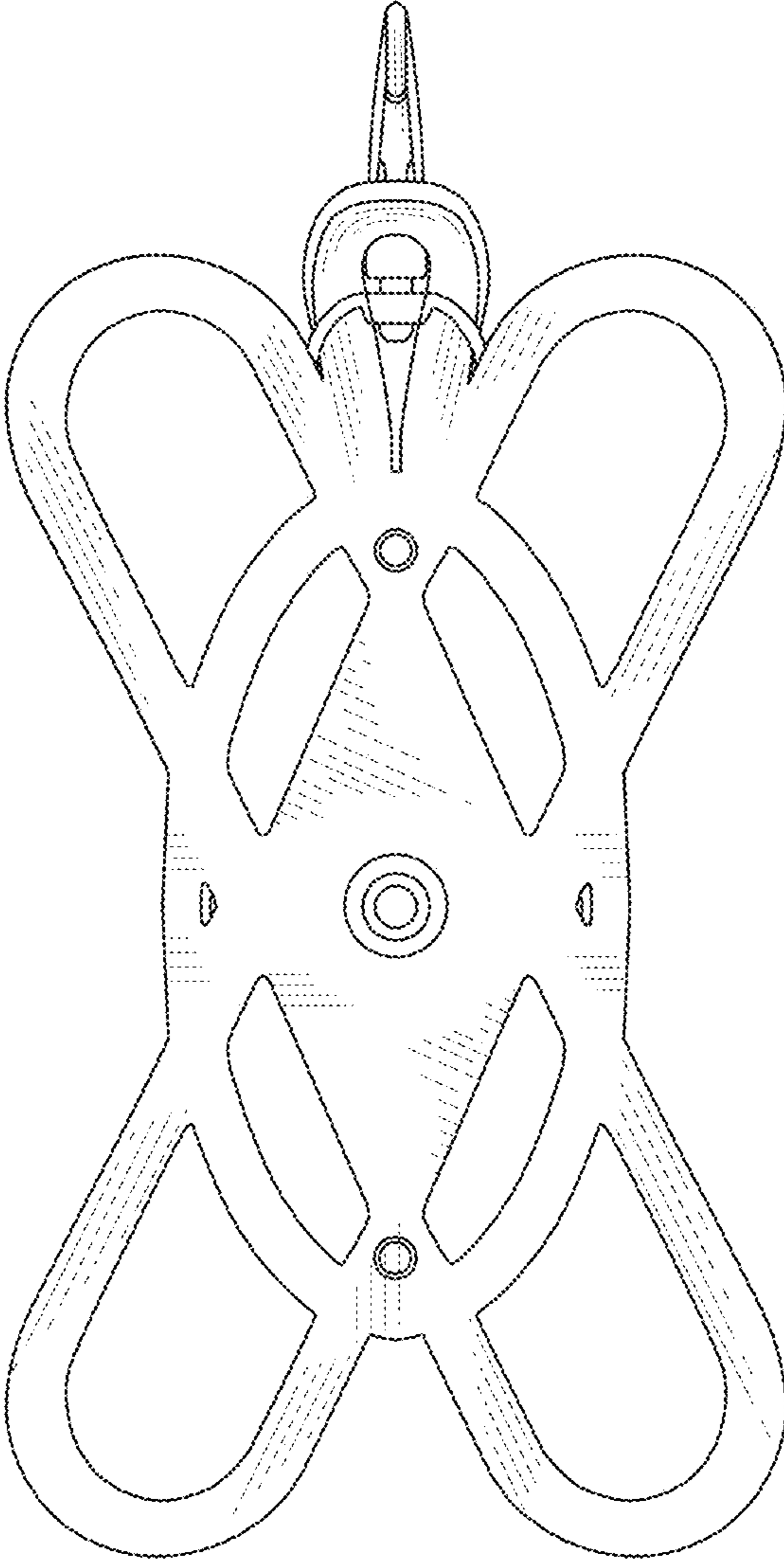


FIG.3

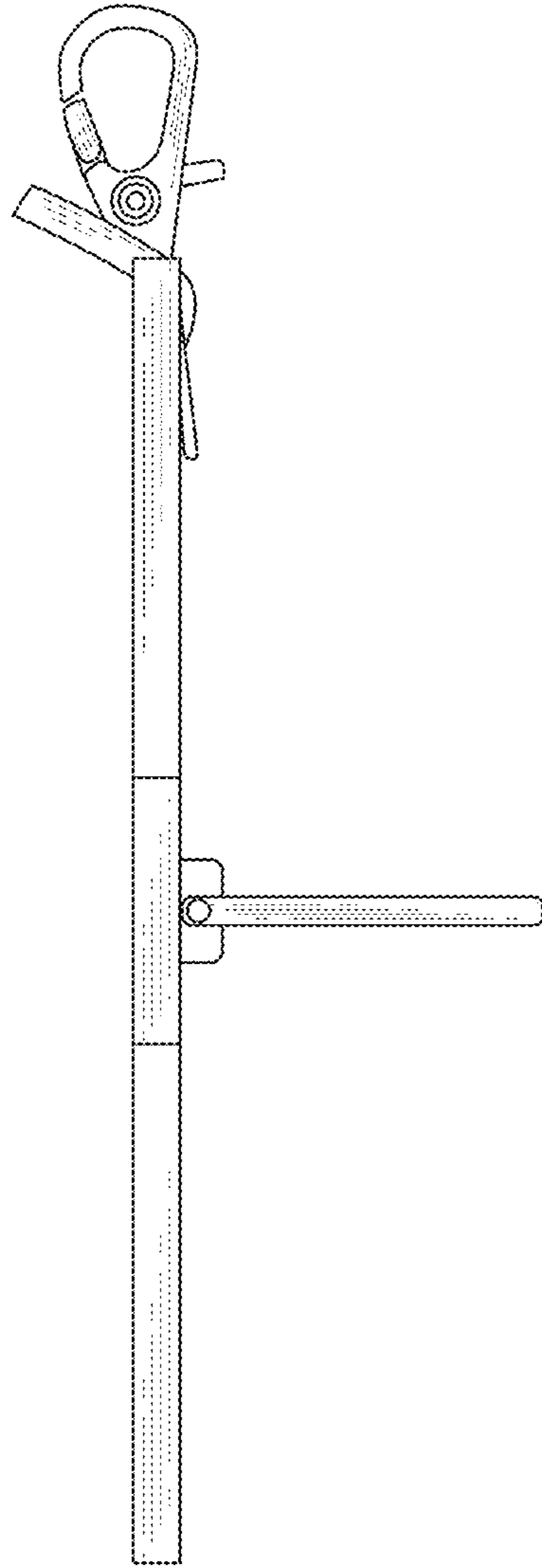


FIG.4

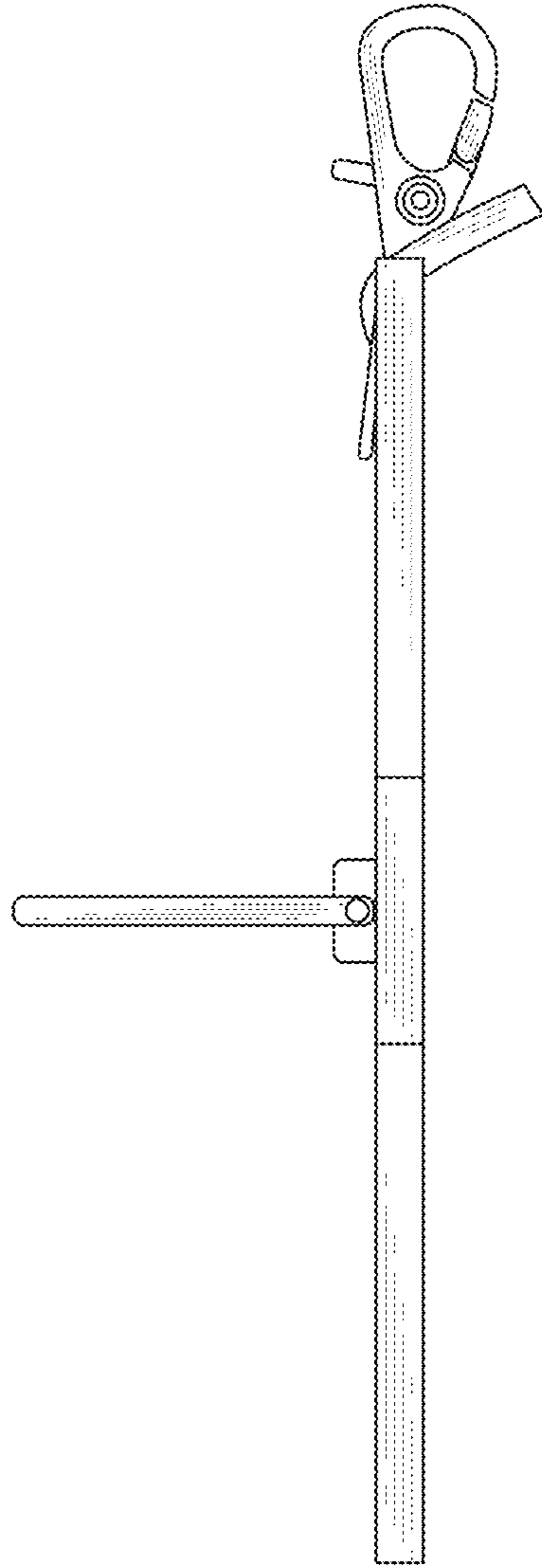


FIG.5

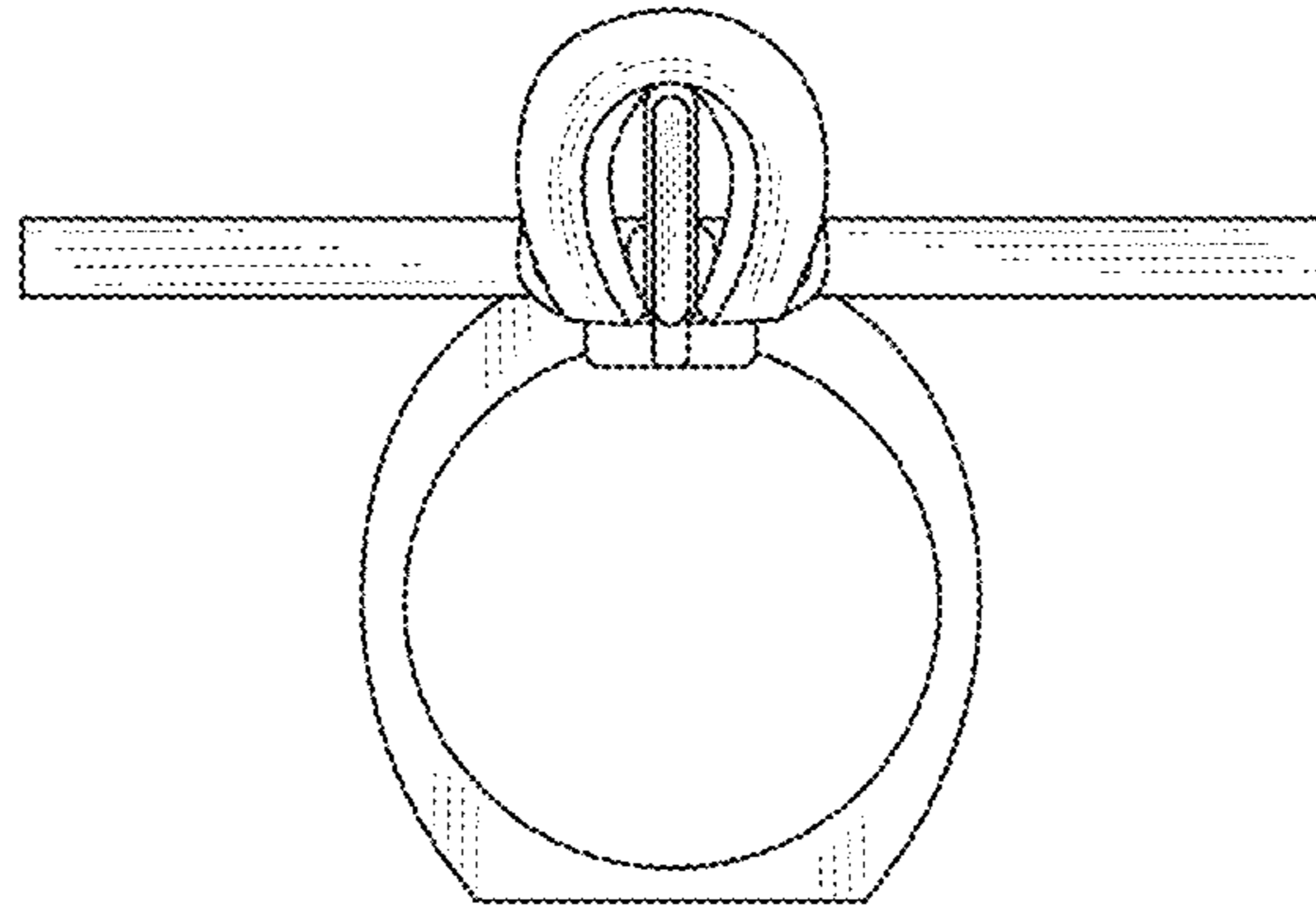


FIG.6

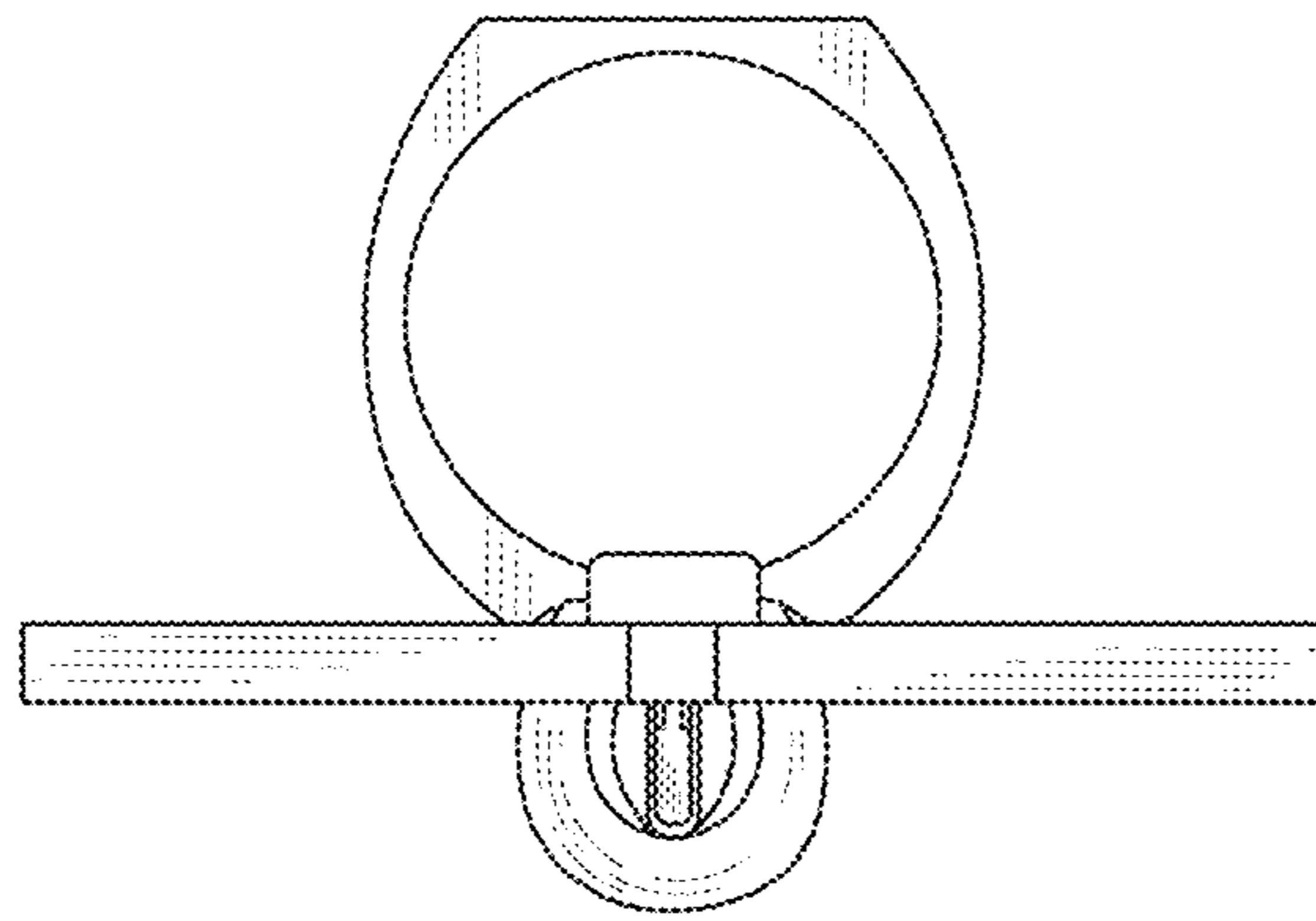


FIG.7

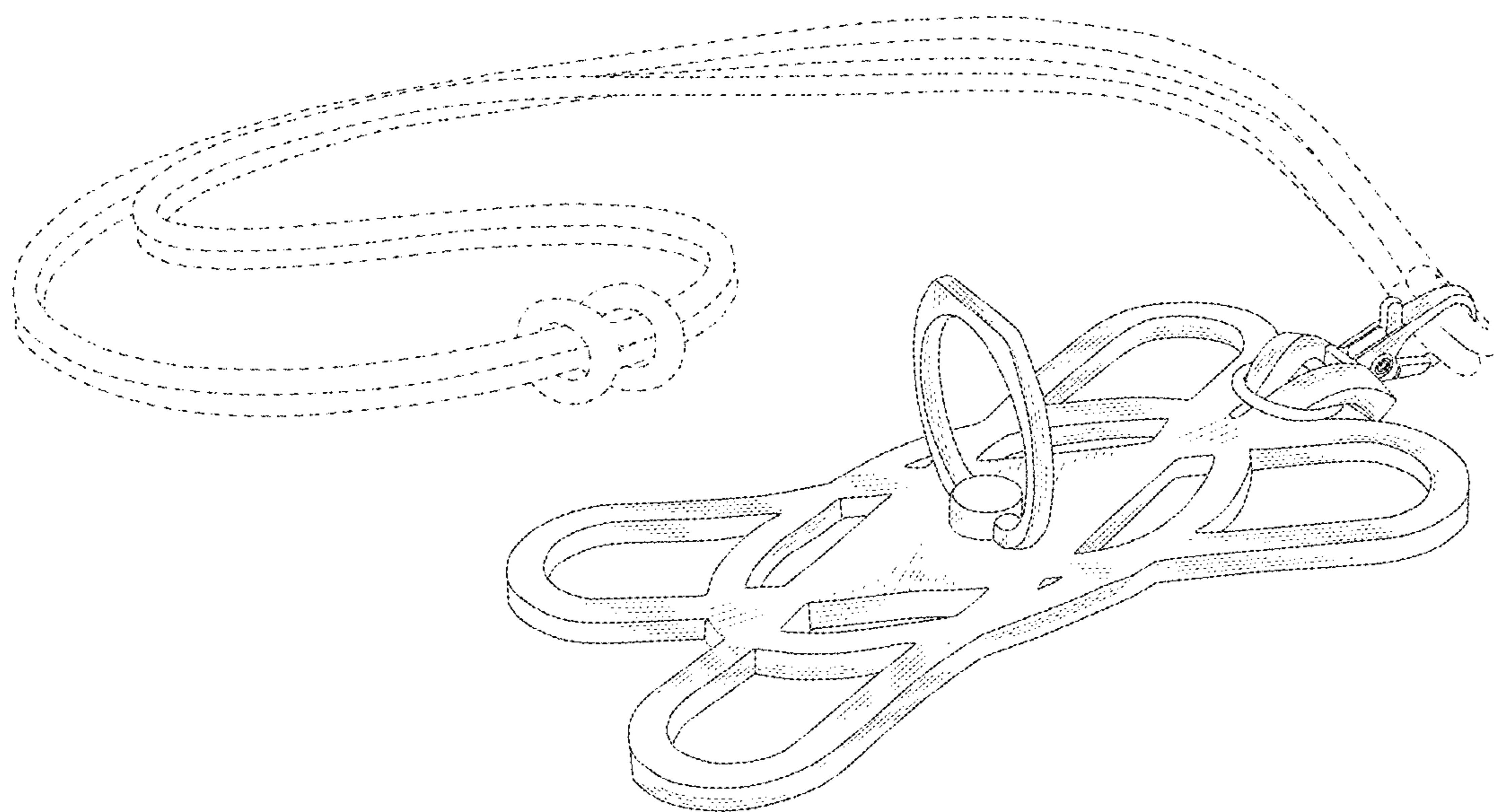


FIG.8