



US00D871753S

(12) **United States Design Patent**
Paik et al.

(10) **Patent No.:** **US D871,753 S**
(45) **Date of Patent:** **** Jan. 7, 2020**

(54) **BELT CONTROLLER FOR BAGS**
(71) Applicant: **WOOJIN PLASTIC CO., LTD.**,
Gyeonggi-do (KR)
(72) Inventors: **Jisook Paik**, Seoul (KR); **Nan Hee Paik**, Seoul (KR); **Ji Hye Paik**, Seoul (KR); **Ji Won Son**, Seoul (KR)
(73) Assignee: **Woojin Plastic Co., LTD**, Guri si (KR)

D510,297	S	*	10/2005	Funo	D11/218
D610,946	S	*	3/2010	Harada	D11/200
D690,110	S	*	9/2013	Degembe	D3/318
D703,100	S	*	4/2014	Saitsu	D11/218
D732,295	S	*	6/2015	Aafjes	D3/318
D768,993	S	*	10/2016	Eakin	D3/327
D813,545	S	*	3/2018	Hemphill	D3/318
D840,689	S	*	2/2019	Seiders	D3/327
D844,992	S	*	4/2019	Seiders	D3/318
2014/0015301	A1	*	1/2014	Perlman	A44B 11/065 24/198

(**) Term: **15 Years**

* cited by examiner

(21) Appl. No.: **29/630,907**

Primary Examiner — Catherine R Oliver-Garcia

(22) Filed: **Dec. 22, 2017**

(51) **LOC (12) Cl.** **03-01**

(52) **U.S. Cl.**
USPC **D3/215**

(58) **Field of Classification Search**
USPC D3/318, 327–328; D11/200, 202,
D11/218–219; 24/198; 70/18, 58, 69,
70/312, DIG. 9

CPC A45C 5/00; A45C 5/14; A45C 7/0018;
A45C 11/18; A45C 13/22; A45C
2003/008; A41F 15/002; A44B 11/065;
E05B 65/52

See application file for complete search history.

(56) **References Cited**

U.S. PATENT DOCUMENTS

1,719,470	A	*	7/1929	Hirsh	A41F 15/002 24/198
D488,929	S	*	4/2004	Nordstrom	D3/327

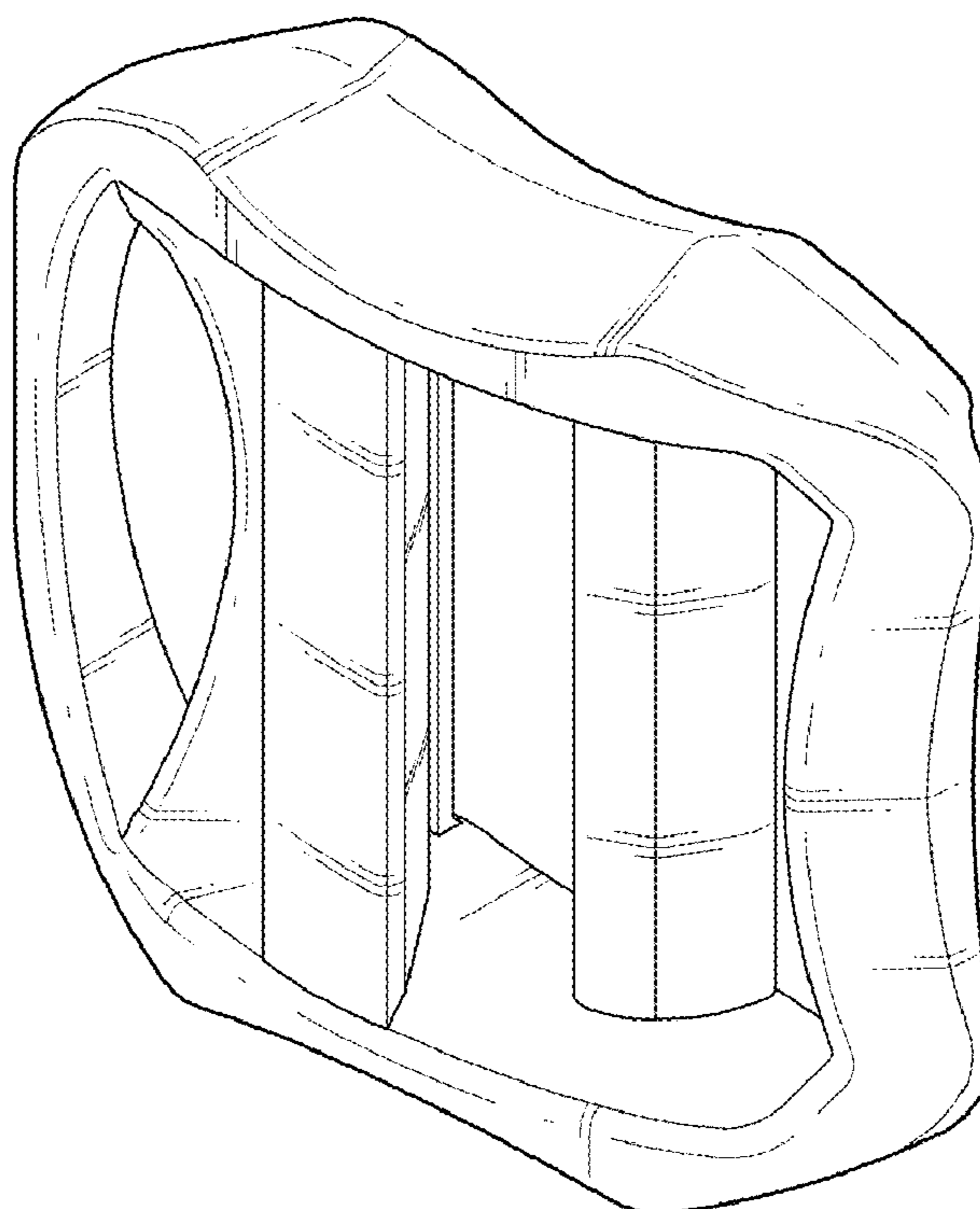
(57) **CLAIM**

The ornamental design for a belt controller for bags, as shown and described.

DESCRIPTION

FIG. 1 is a perspective view of a belt controller for bags, showing my new design;
FIG. 2 is a front view thereof;
FIG. 3 is a rear view thereof;
FIG. 4 is a left side view thereof;
FIG. 5 is a right side view thereof;
FIG. 6 is a top plan view thereof;
FIG. 7 is a bottom plan view thereof; and,
FIG. 8 is a cross-sectional view taken along the lines of FIG. 2.

1 Claim, 8 Drawing Sheets



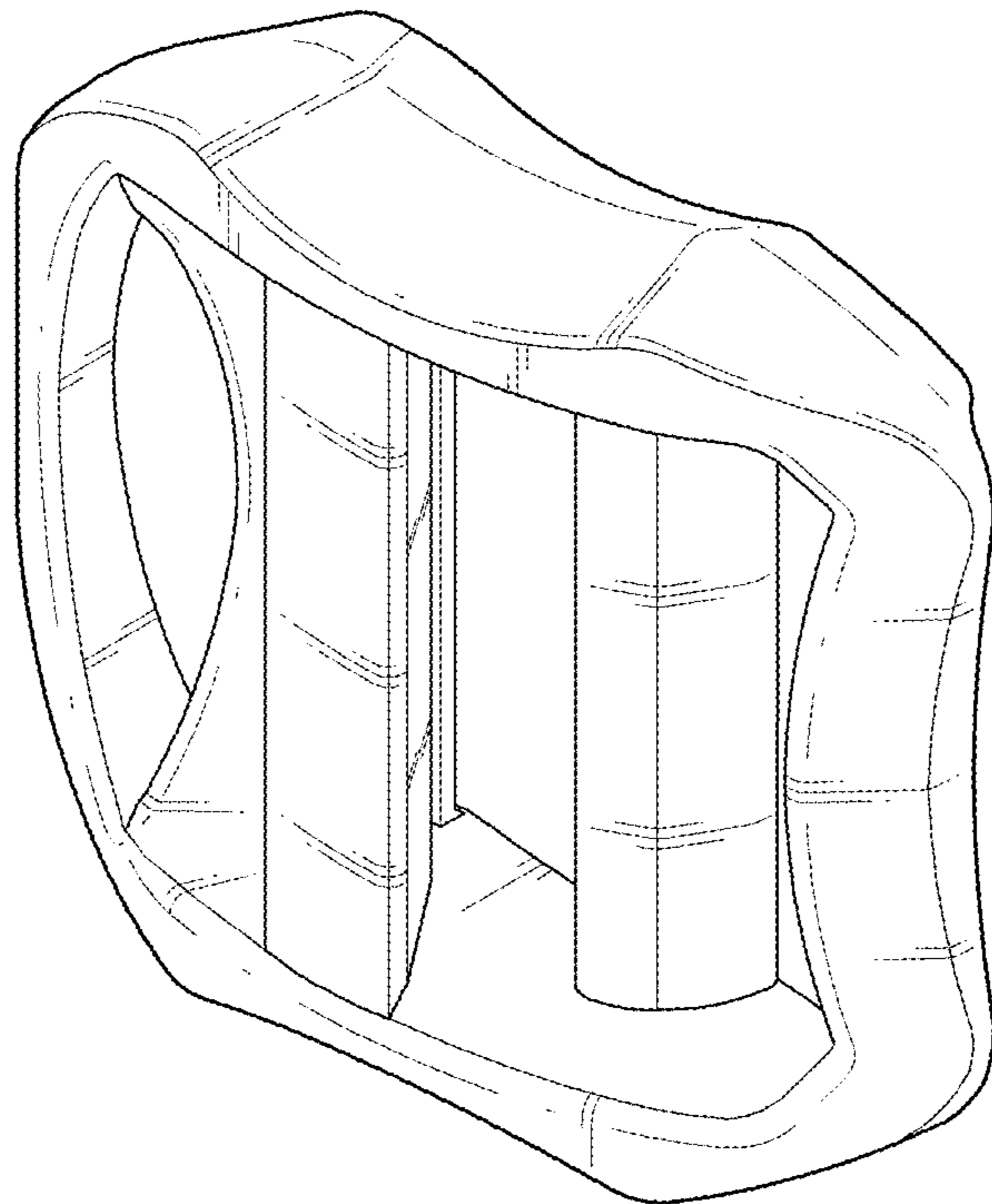


FIG. 1

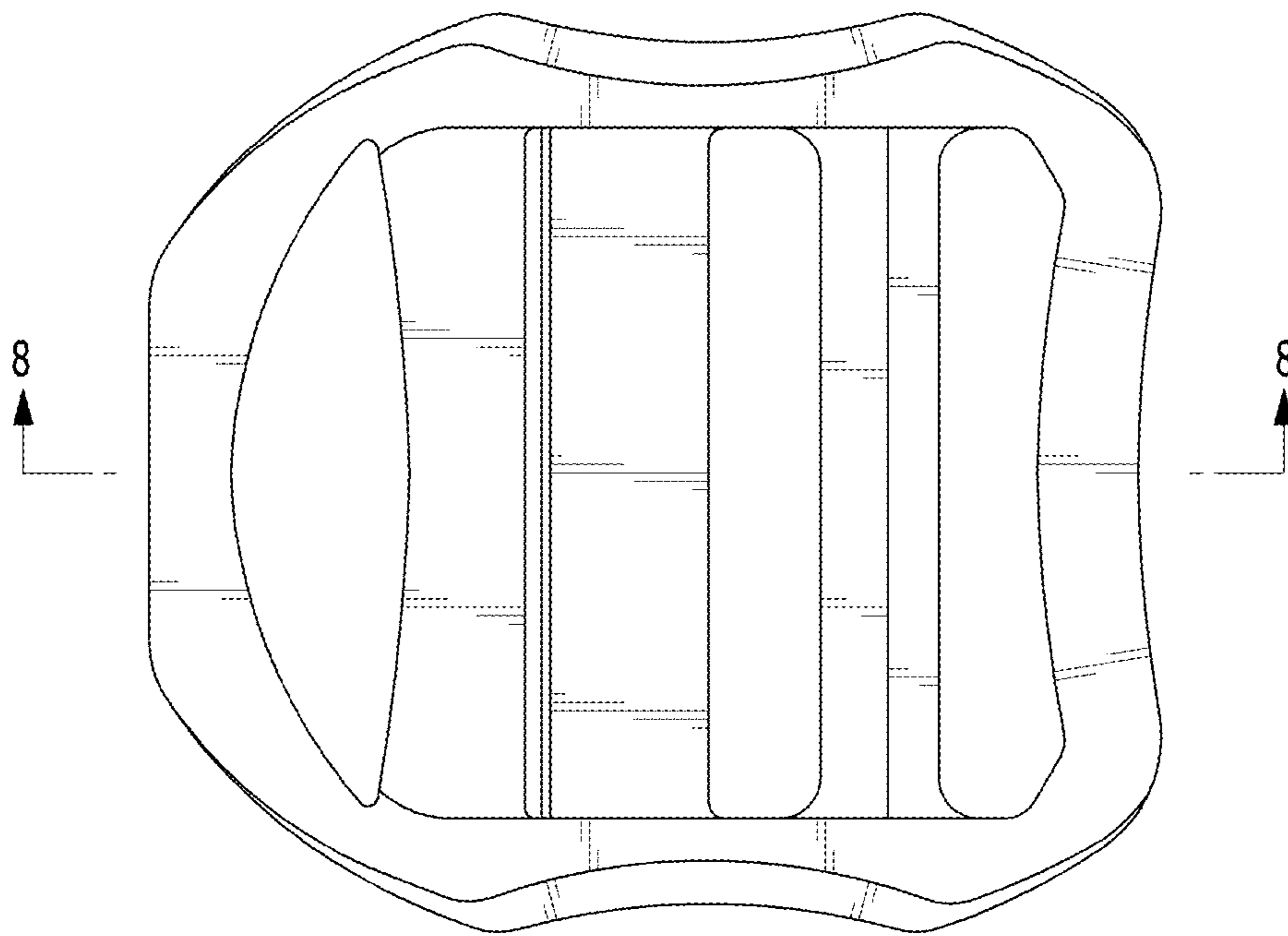


FIG.2

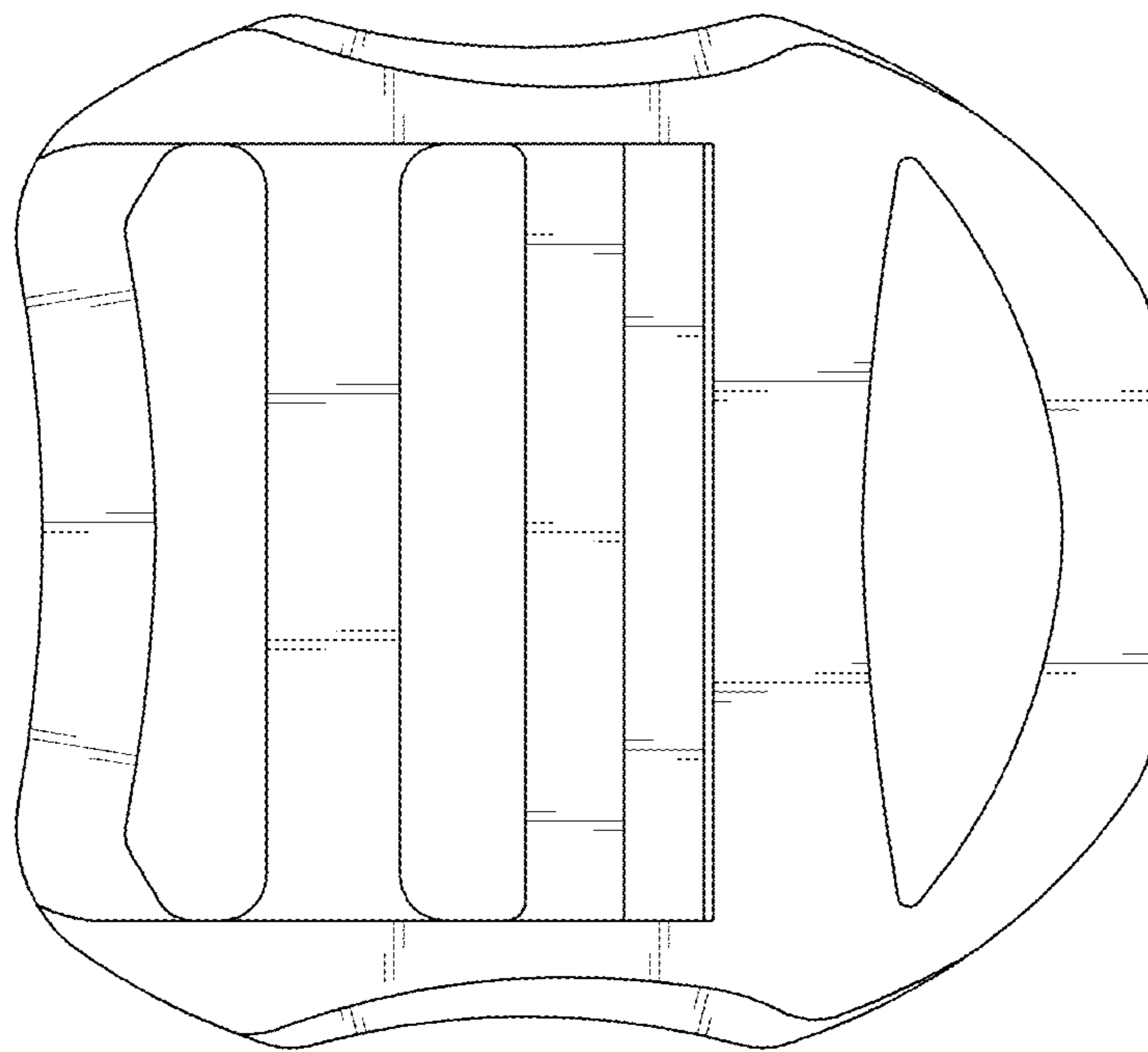


FIG.3

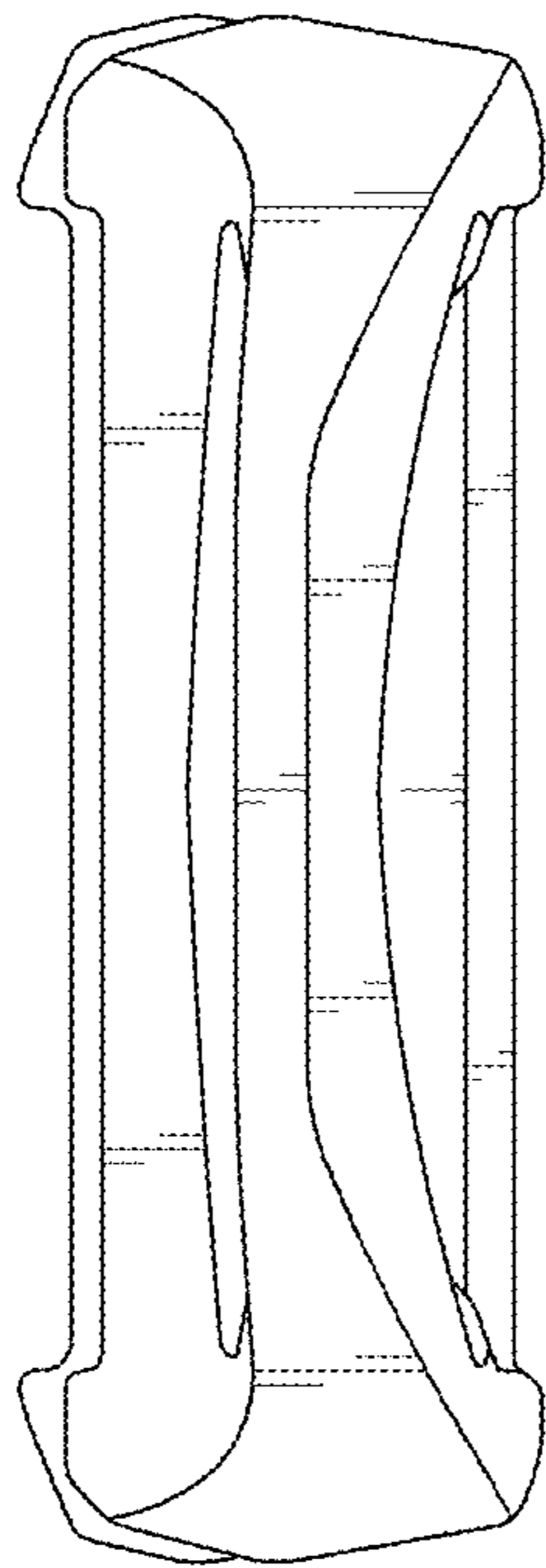


FIG.4

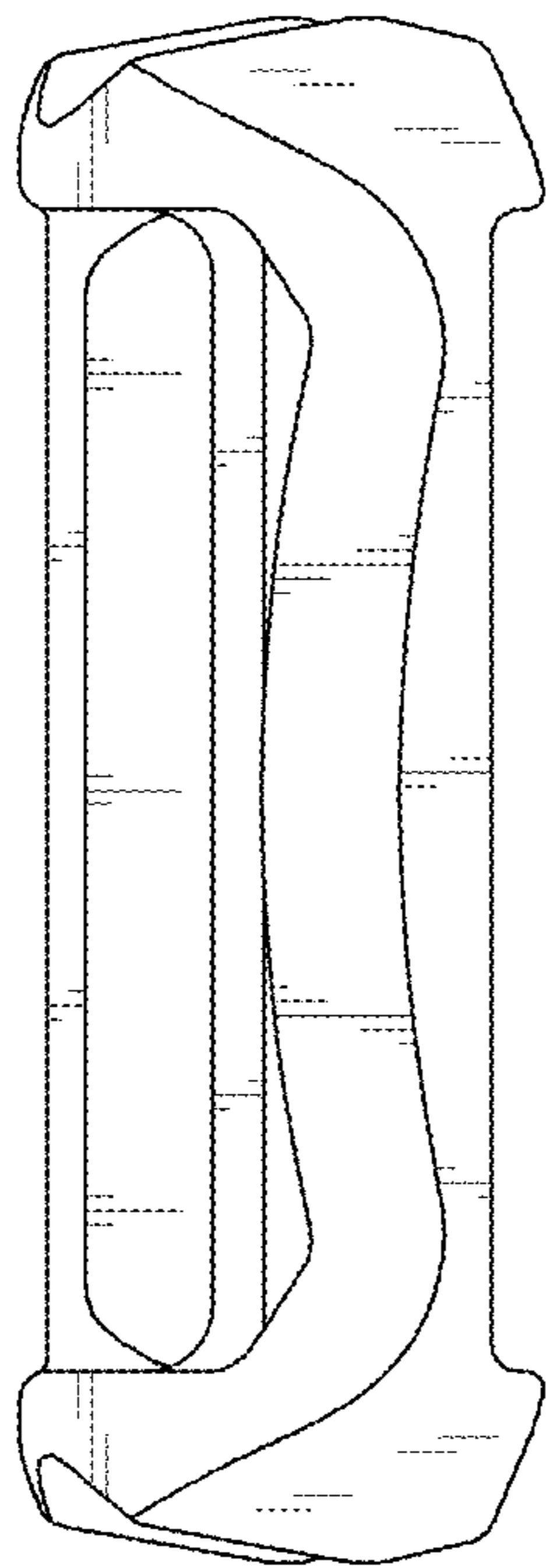


FIG.5

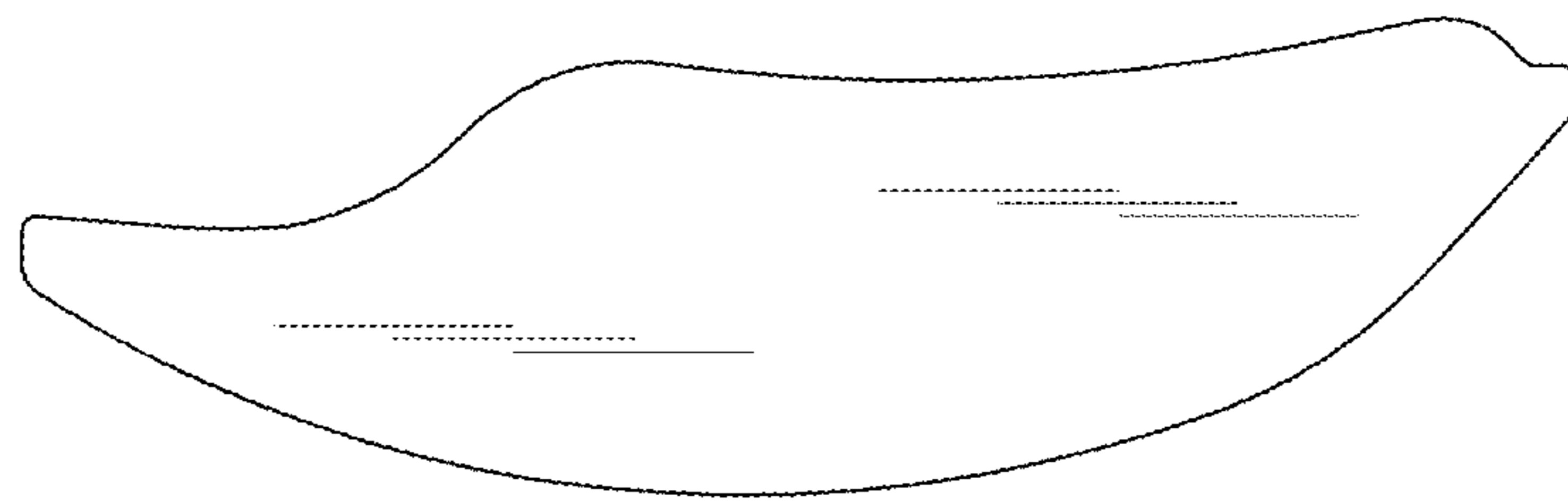


FIG.6

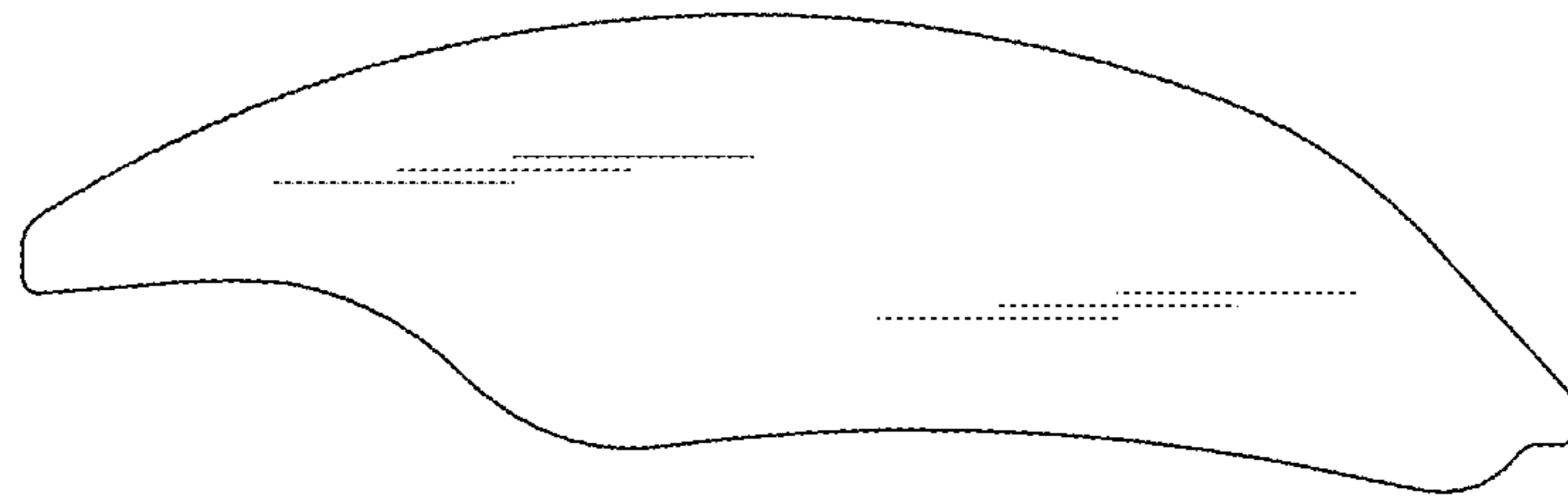


FIG.7

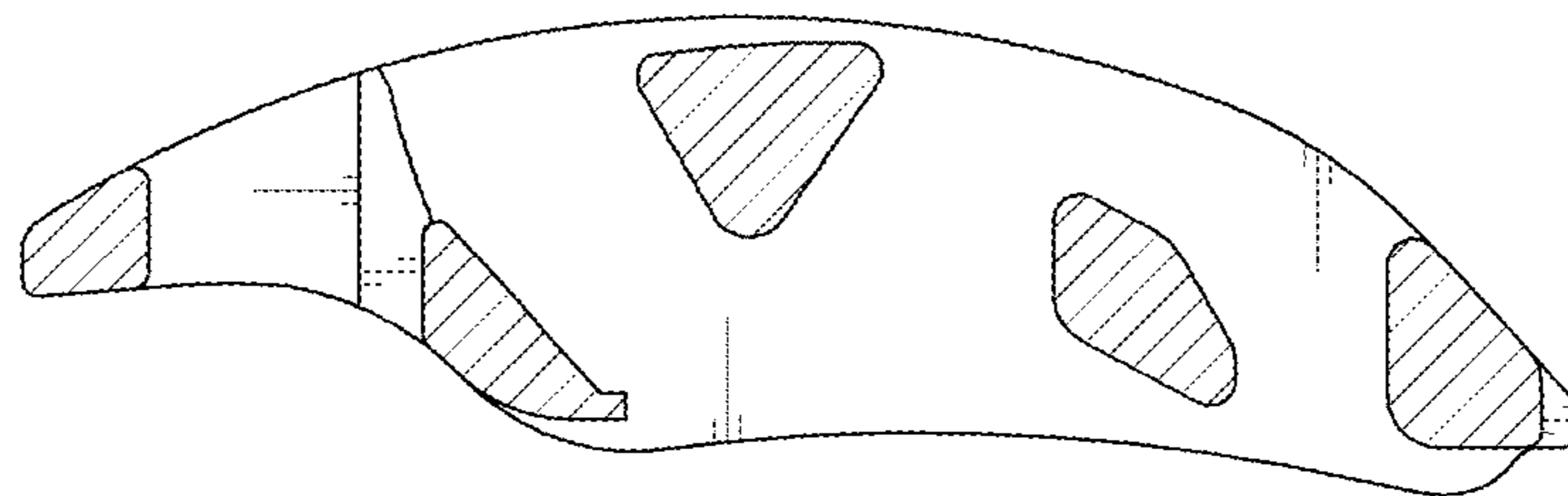


FIG. 8