



US00D871752S

(12) **United States Design Patent**
Kietzmann et al.

(10) **Patent No.:** **US D871,752 S**
(45) **Date of Patent:** **** *Jan. 7, 2020**

(54) **CONTAINER FOR INJECTION DEVICES**

- (71) Applicant: **Sanofi-Aventis Deutschland GMBH**,
Frankfurt am Main (DE)
- (72) Inventors: **Hardy Kietzmann**, Frankfurt am Main
(DE); **Fred Luck**, Frankfurt am Main
(DE); **Stefan Riebel**, Frankfurt am
Main (DE)
- (73) Assignee: **Sanofi-Aventis Deutschland GMBH**,
Frankfurt am Main (DE)

(*) Notice: This patent is subject to a terminal disclaimer.

(**) Term: **15 Years**

(21) Appl. No.: **29/673,814**

(22) Filed: **Dec. 18, 2018**

Related U.S. Application Data

(62) Division of application No. 29/565,186, filed on May 18, 2016.

(30) **Foreign Application Priority Data**

- Nov. 18, 2015 (EM) 002 864 397
- (51) **LOC (12) Cl.** **03-01**
- (52) **U.S. Cl.**
USPC **D3/203.3; D3/295**
- (58) **Field of Classification Search**
USPC D3/20, 201, 203.1, 203.2, 203.3, 273,
D3/274, 293–295; D9/756, 737;
D24/131, 103, 231; D34/7, 8, 10, 11;
D19/102, 106, 685; 206/364–366;
220/254.1, 254.3, 810, 786; 211/70.6;
128/852; 604/356; 232/44, 47
CPC A61B 50/362; A61B 10/0096; A61B
2050/006; A61B 19/0288; A61B 19/10;
A61B 2050/0051; A61B 2050/0057;
A61B

(Continued)

(56) **References Cited**

U.S. PATENT DOCUMENTS

- 4,850,484 A * 7/1989 Denman A61M 5/008
206/366
- 4,928,849 A * 5/1990 Khozai A47F 1/08
221/45

(Continued)

Primary Examiner — W. A. Teddy Falloway

(74) *Attorney, Agent, or Firm* — Fish & Richardson P.C.

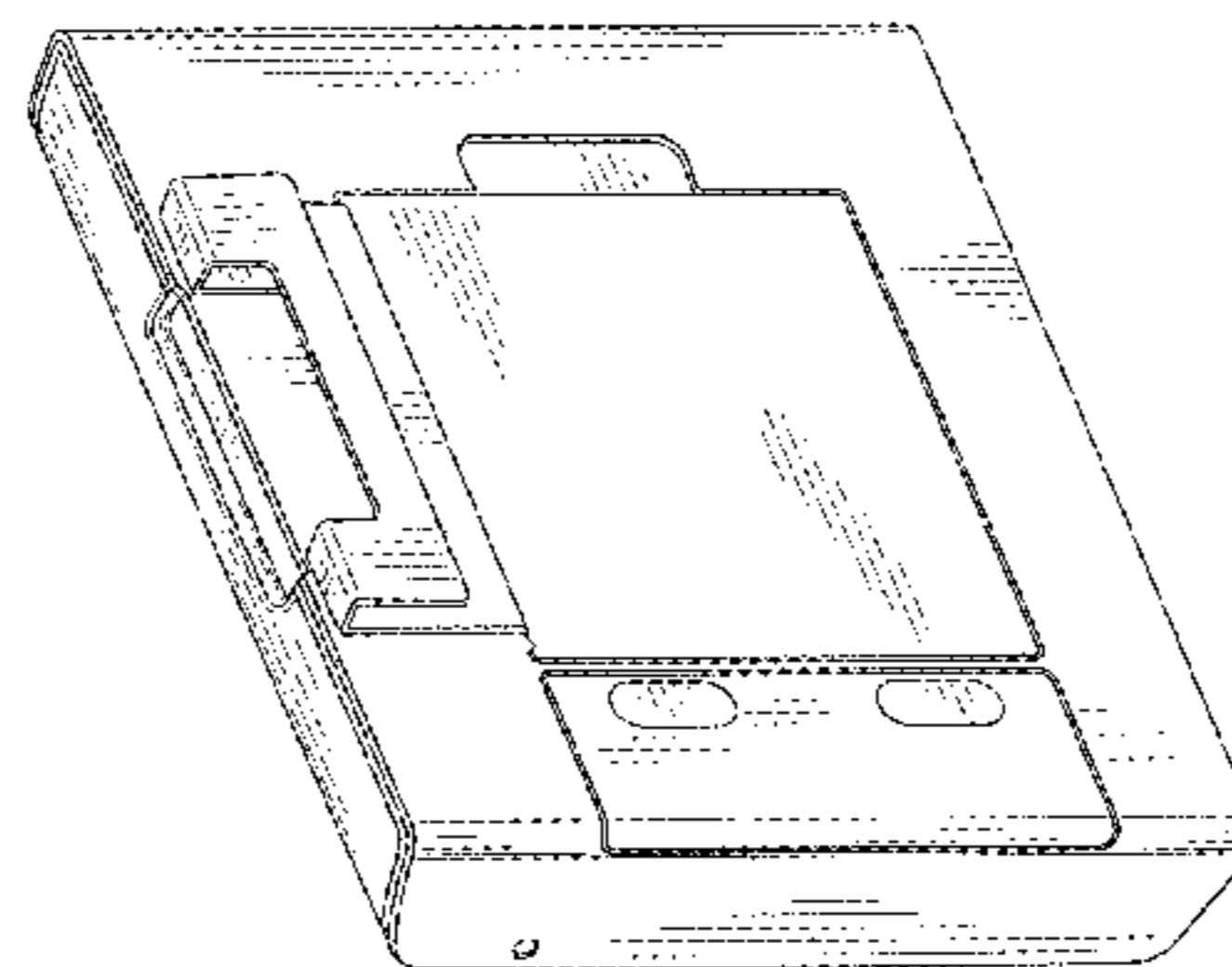
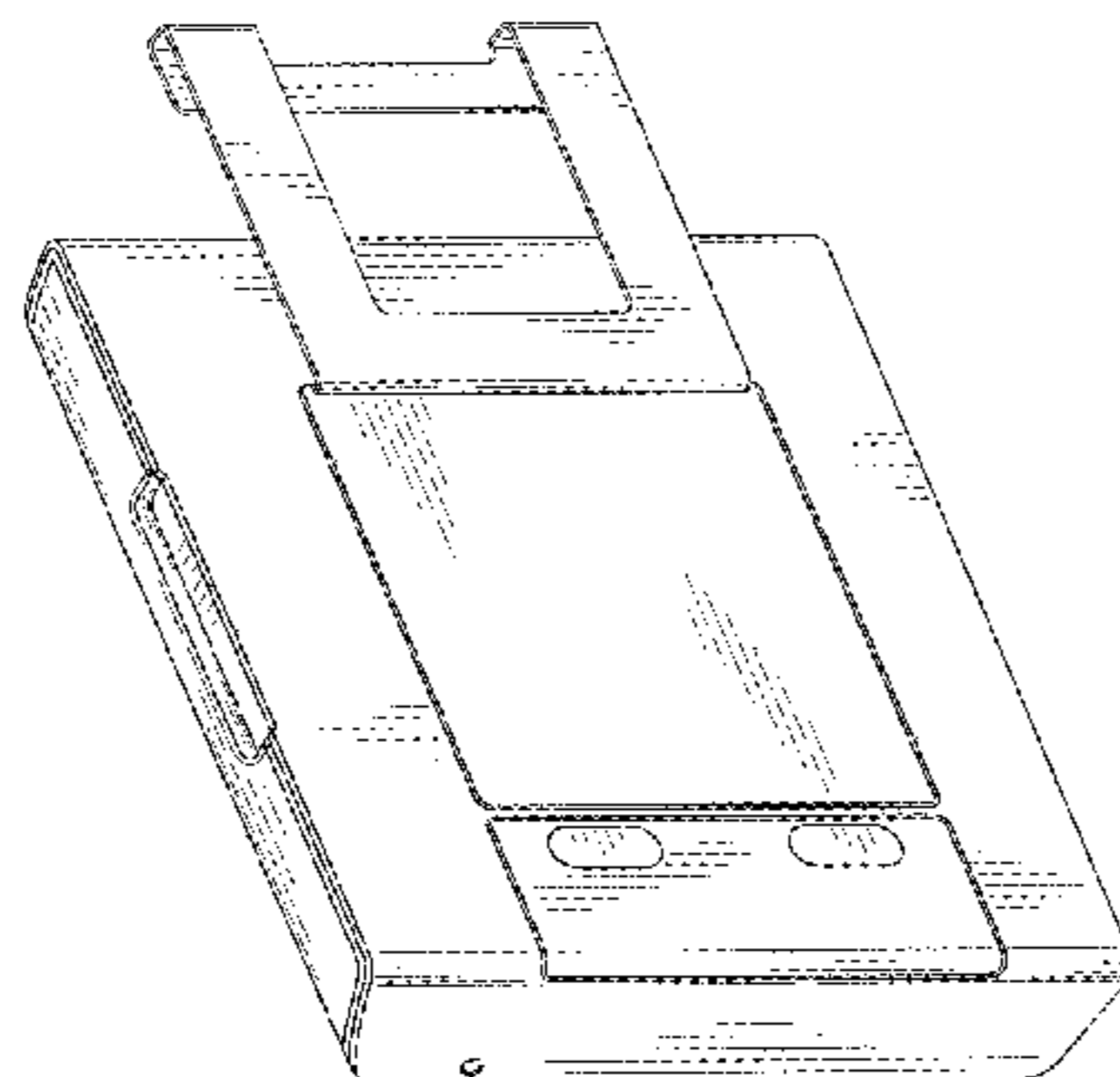
(57) **CLAIM**

The ornamental design for a container for injection devices, substantially as shown and described.

DESCRIPTION

FIG. 1 is a perspective view of a container for injection devices of our new design, including a long hanger;
 FIG. 2 is an exploded view of the container for injection devices of FIG. 1;
 FIG. 3 is a top view of the container of FIG. 1;
 FIG. 4 is a front view of the container of FIG. 1;
 FIG. 5 is a back view of the container of FIG. 1;
 FIG. 6 is a right side view of the container of FIG. 1;
 FIG. 7 is a left side view of the container of FIG. 1; and
 FIG. 8 is a bottom view of the container of FIG. 1.
 FIG. 9 is a perspective view of another embodiment of a container for injection devices of our new design, including a short hanger;
 FIG. 10 is an exploded view of the container for injection devices of FIG. 9;
 FIG. 11 is a top view of the container of FIG. 9;
 FIG. 12 is a front view of the container of FIG. 9;
 FIG. 13 is a back view of the container of FIG. 9;
 FIG. 14 is a right side view of the container of FIG. 9;
 FIG. 15 is a left side view of the container of FIG. 9; and,
 FIG. 16 is a bottom view of the container of FIG. 9.

1 Claim, 12 Drawing Sheets



(58) **Field of Classification Search**

CPC 2050/364; A61M 5/3205; A61M 5/002;
 A61M 5/008; B65F 1/141; B65F 1/10;
 B01L 9/06; G01N 2001/005; B65A
 83/10; B65D 43/16

See application file for complete search history.

(56) **References Cited**

U.S. PATENT DOCUMENTS

5,103,997 A * 4/1992 Shillington B65F 1/141
 206/366
 5,154,345 A * 10/1992 Shillington A61M 5/3205
 206/366
 5,190,169 A * 3/1993 Sincock A61M 5/3213
 206/366
 5,277,312 A * 1/1994 Vumbaca A61M 5/3205
 206/365
 5,419,435 A * 5/1995 Perzan B65F 1/141
 206/366
 6,250,465 B1 * 6/2001 Daniels B65F 1/10
 206/366

6,279,743 B1 * 8/2001 Ballard A61M 5/3213
 128/852
 D451,195 S * 11/2001 Daniels D24/131
 6,361,746 B1 * 3/2002 Wlodarski B01L 7/00
 200/500
 6,409,705 B1 * 6/2002 Kondo A61M 5/3202
 604/192
 7,028,839 B2 * 4/2006 Belloli B65B 21/242
 206/443
 7,104,400 B2 * 9/2006 Kiehne A61M 5/002
 206/366
 D560,489 S * 1/2008 Satnick D3/293
 8,727,162 B2 * 5/2014 Finnestad A61B 50/362
 220/254.1
 D713,144 S * 9/2014 Gorick D3/295
 D775,463 S * 1/2017 Shieh D3/215
 D804,223 S * 12/2017 Lovelace D6/673
 D807,504 S * 1/2018 Pena D24/131
 10,052,633 B2 * 8/2018 Kantor B01L 9/06
 10,071,846 B2 * 9/2018 Yao B65D 83/0829
 D835,901 S * 12/2018 Kietzmann D3/203.1
 D849,394 S * 5/2019 Kietzmann D3/203.1
 2018/0256812 A1 * 9/2018 Kietzmann A61M 5/002

* cited by examiner

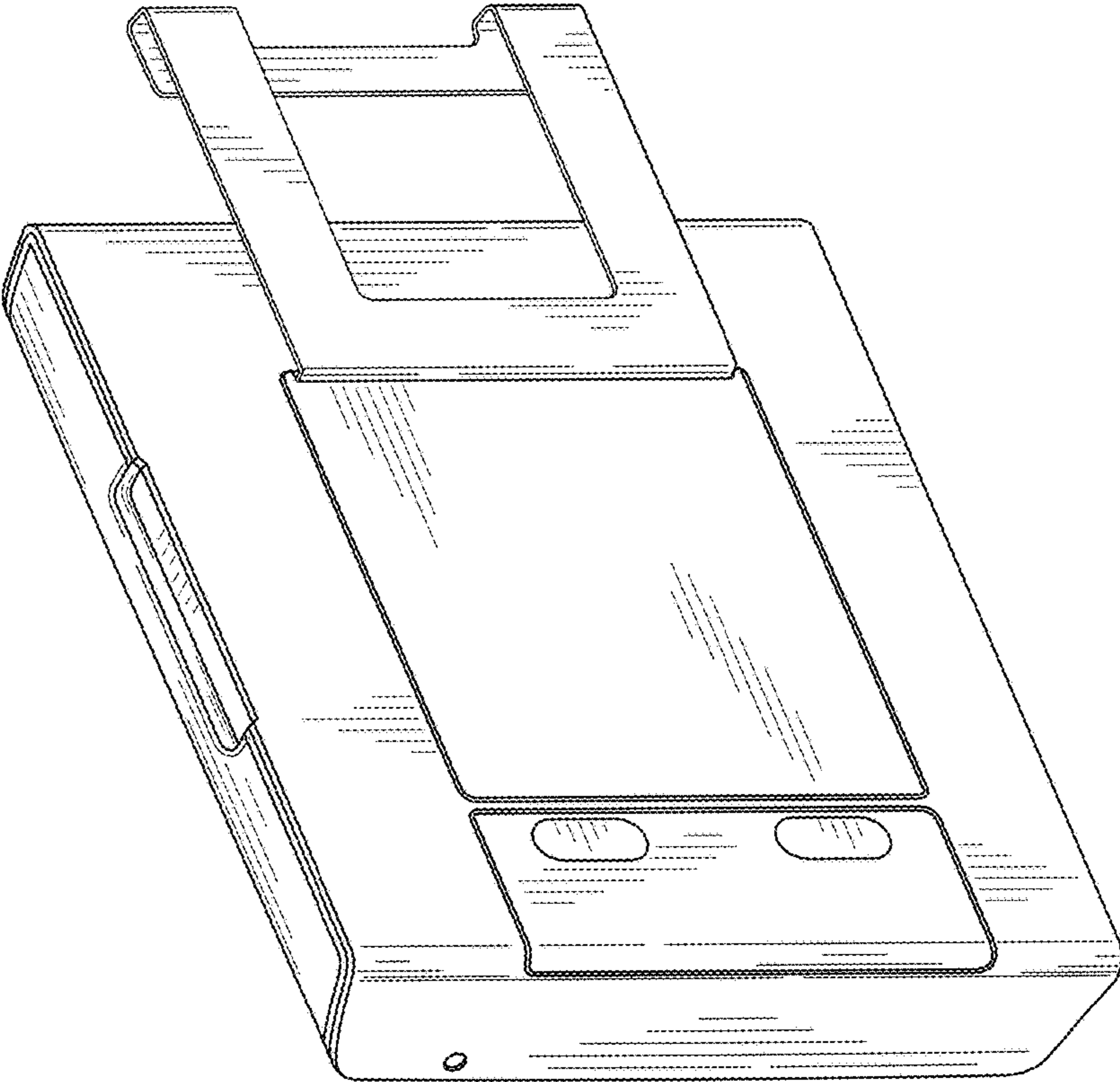


FIG. 1

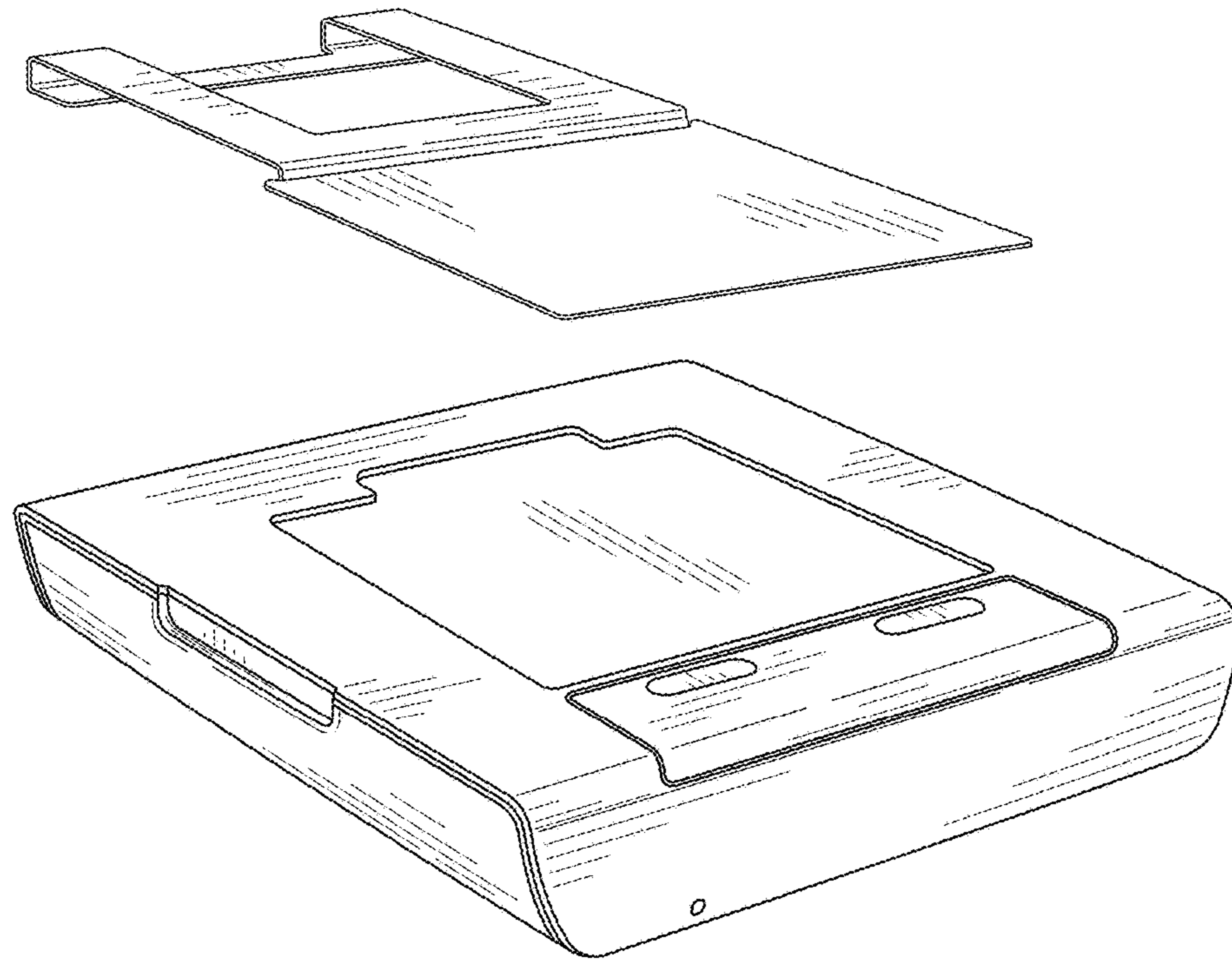


FIG. 2

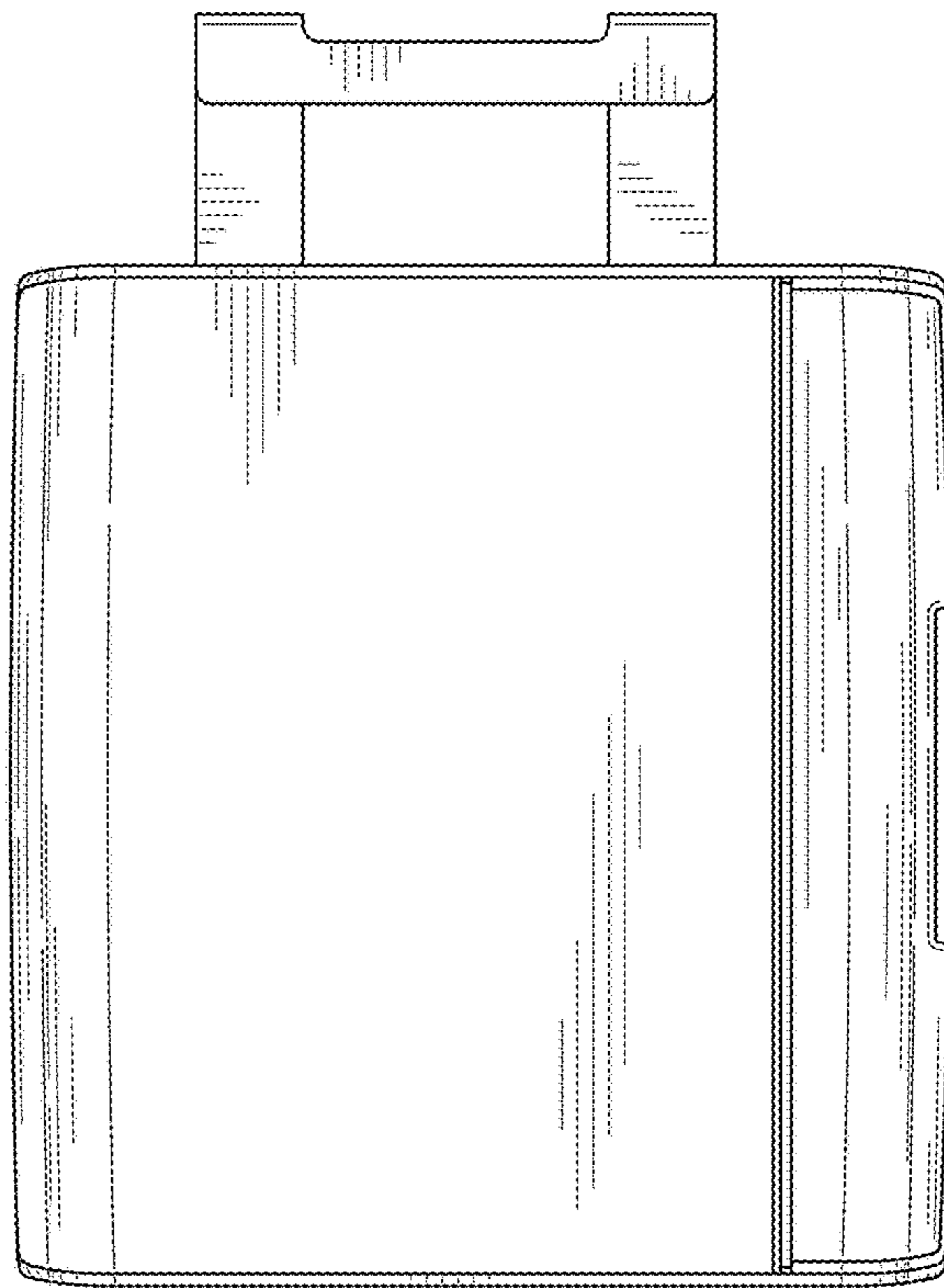


FIG. 3

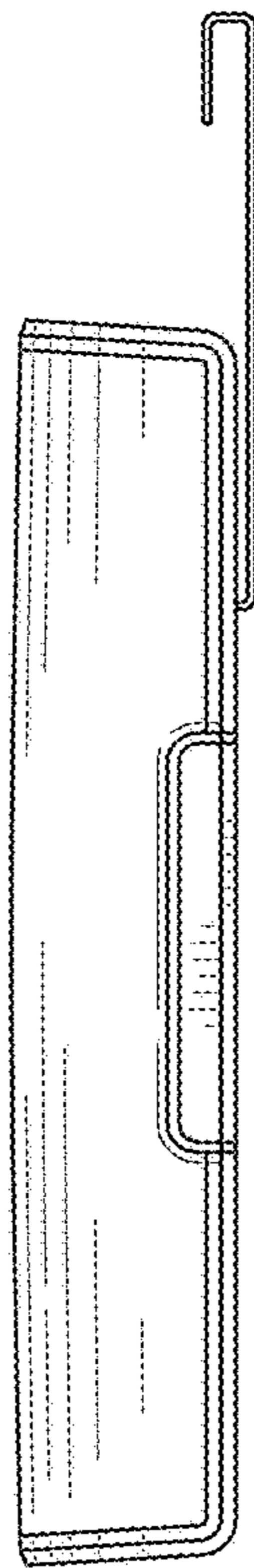


FIG. 4

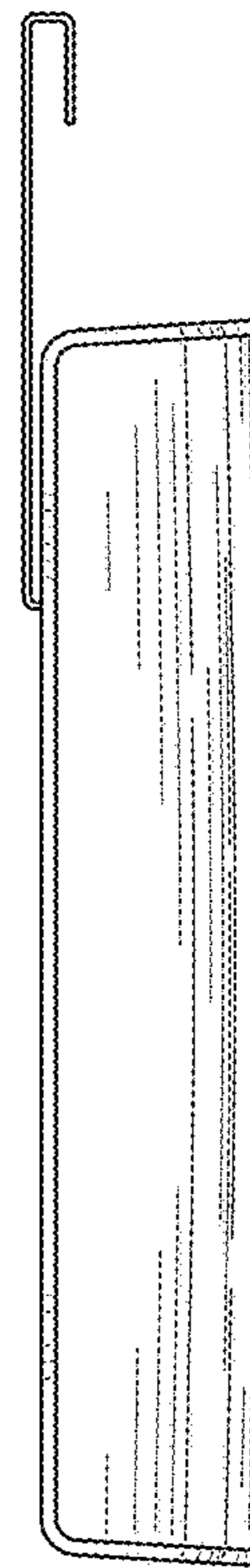


FIG. 5

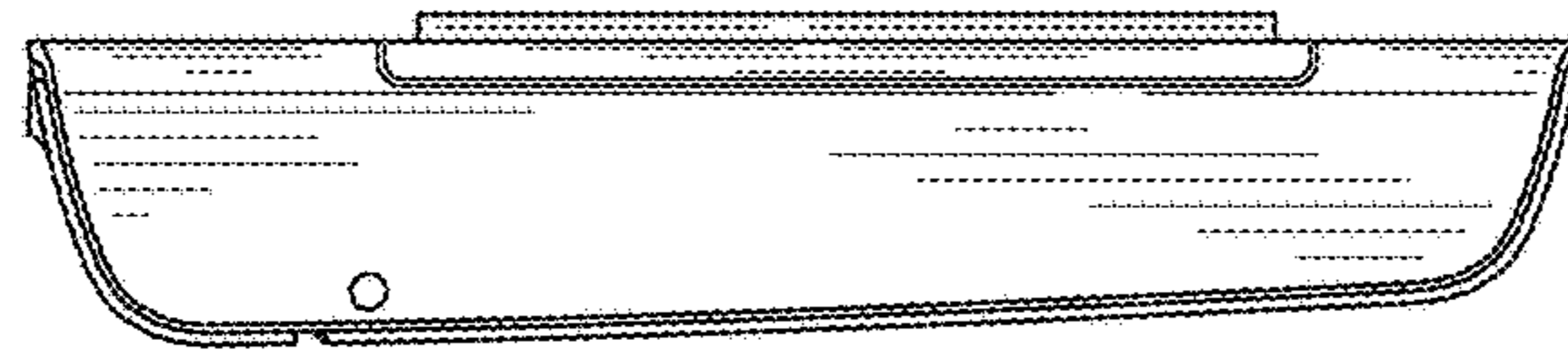


FIG. 6

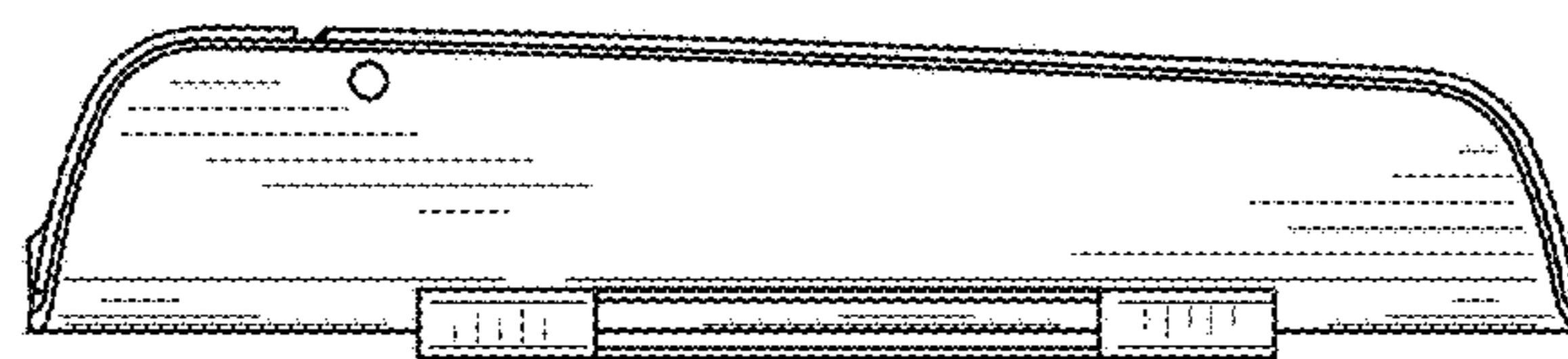


FIG. 7

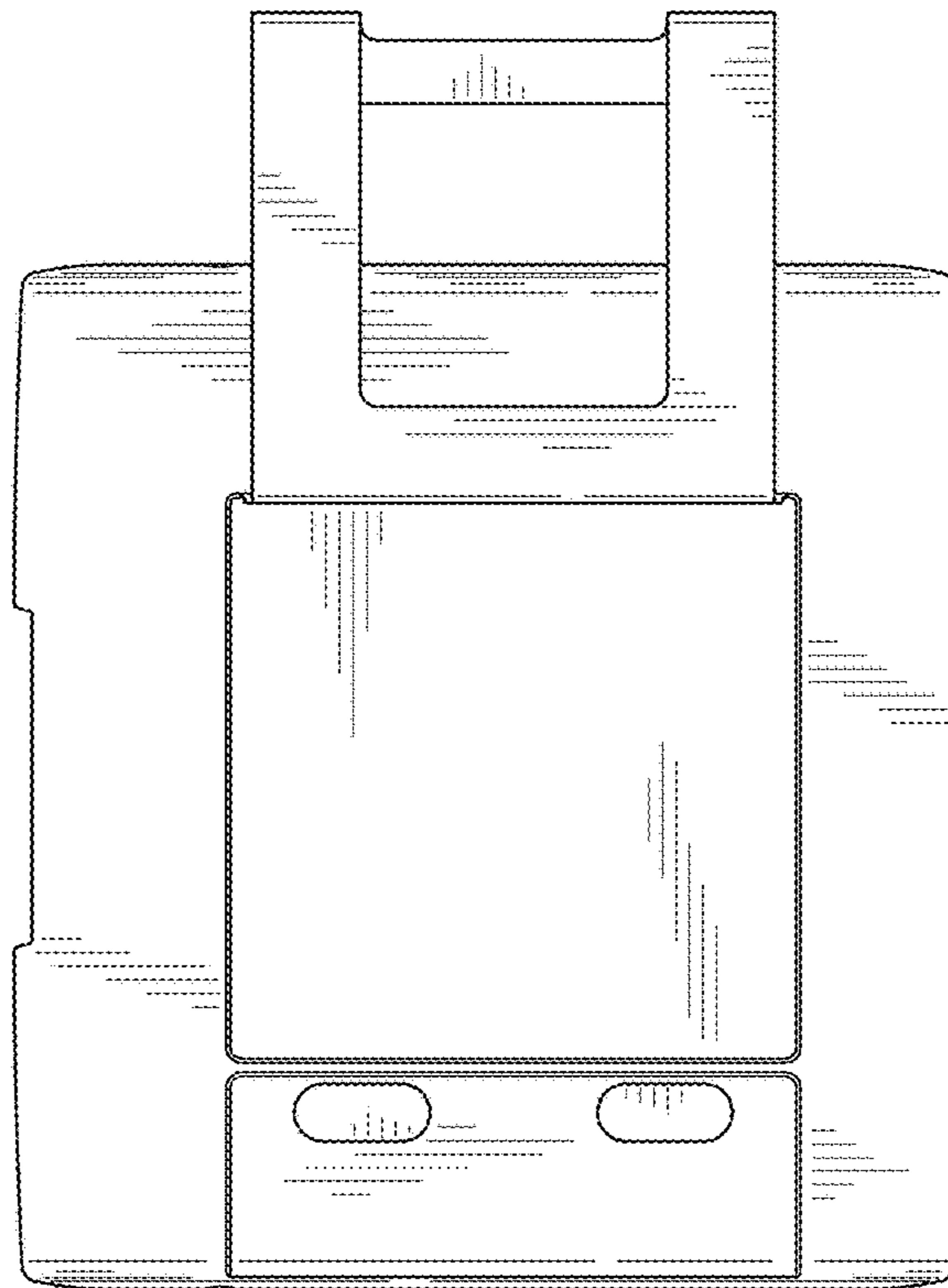


FIG. 8

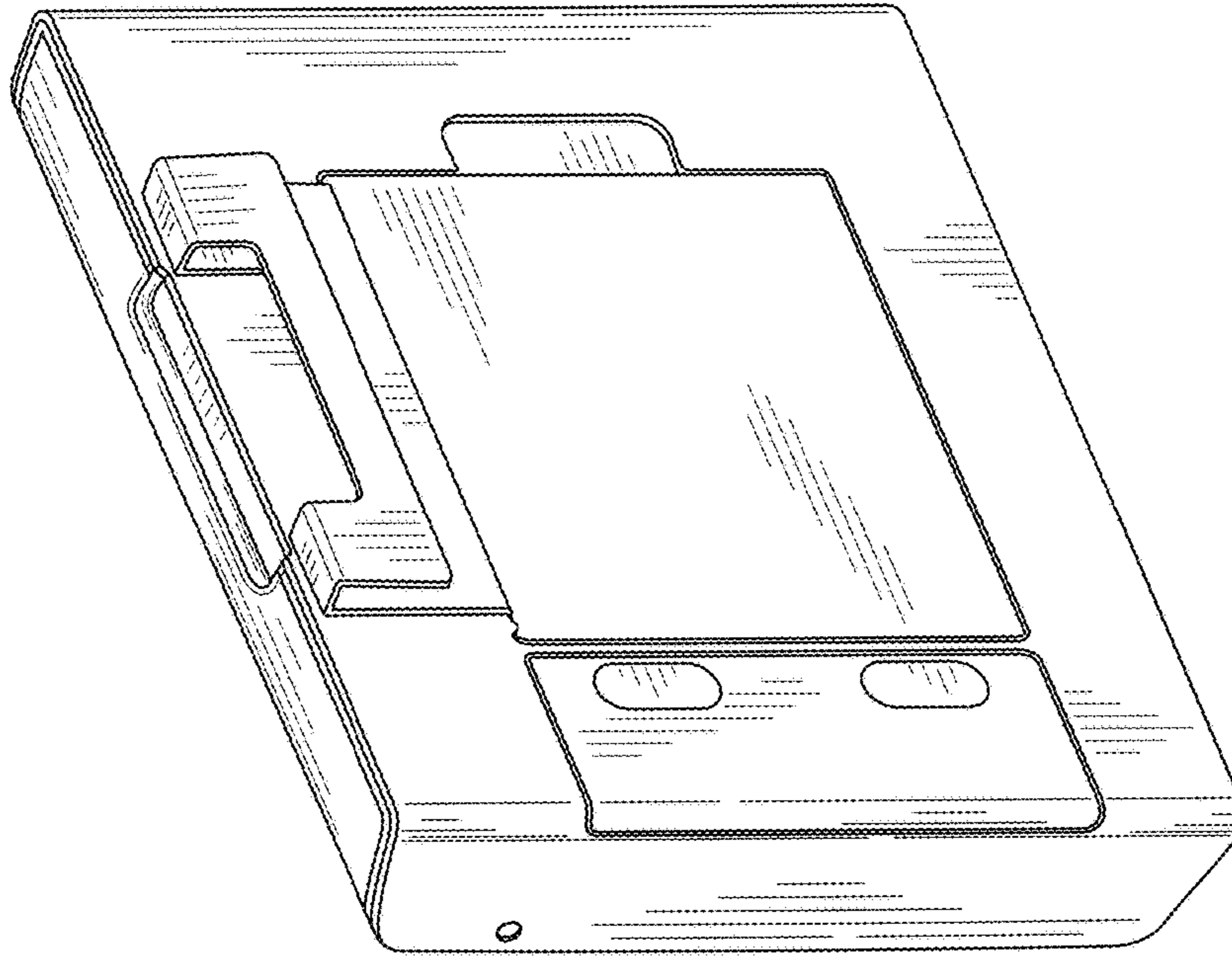


FIG. 9

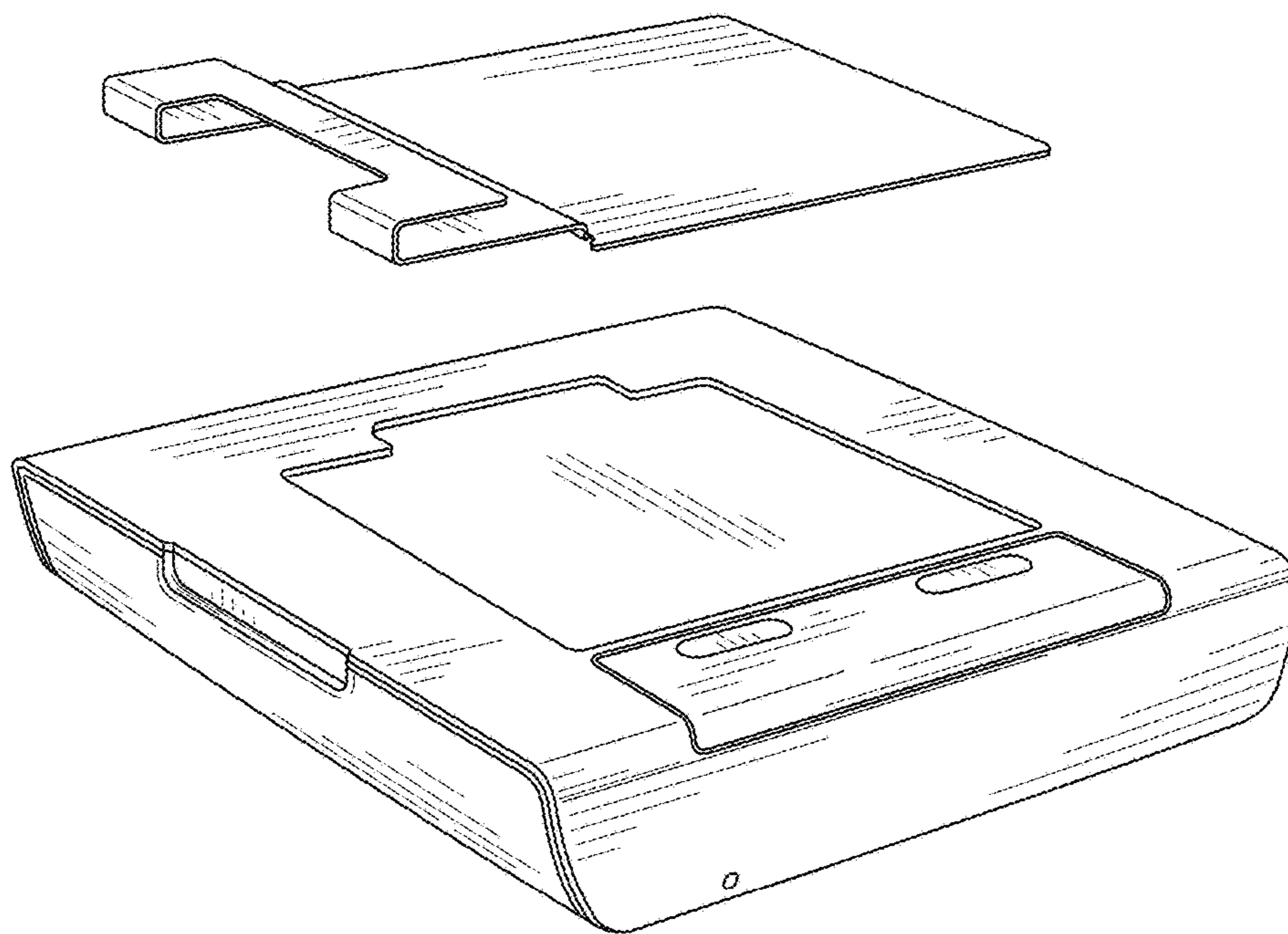


FIG. 10

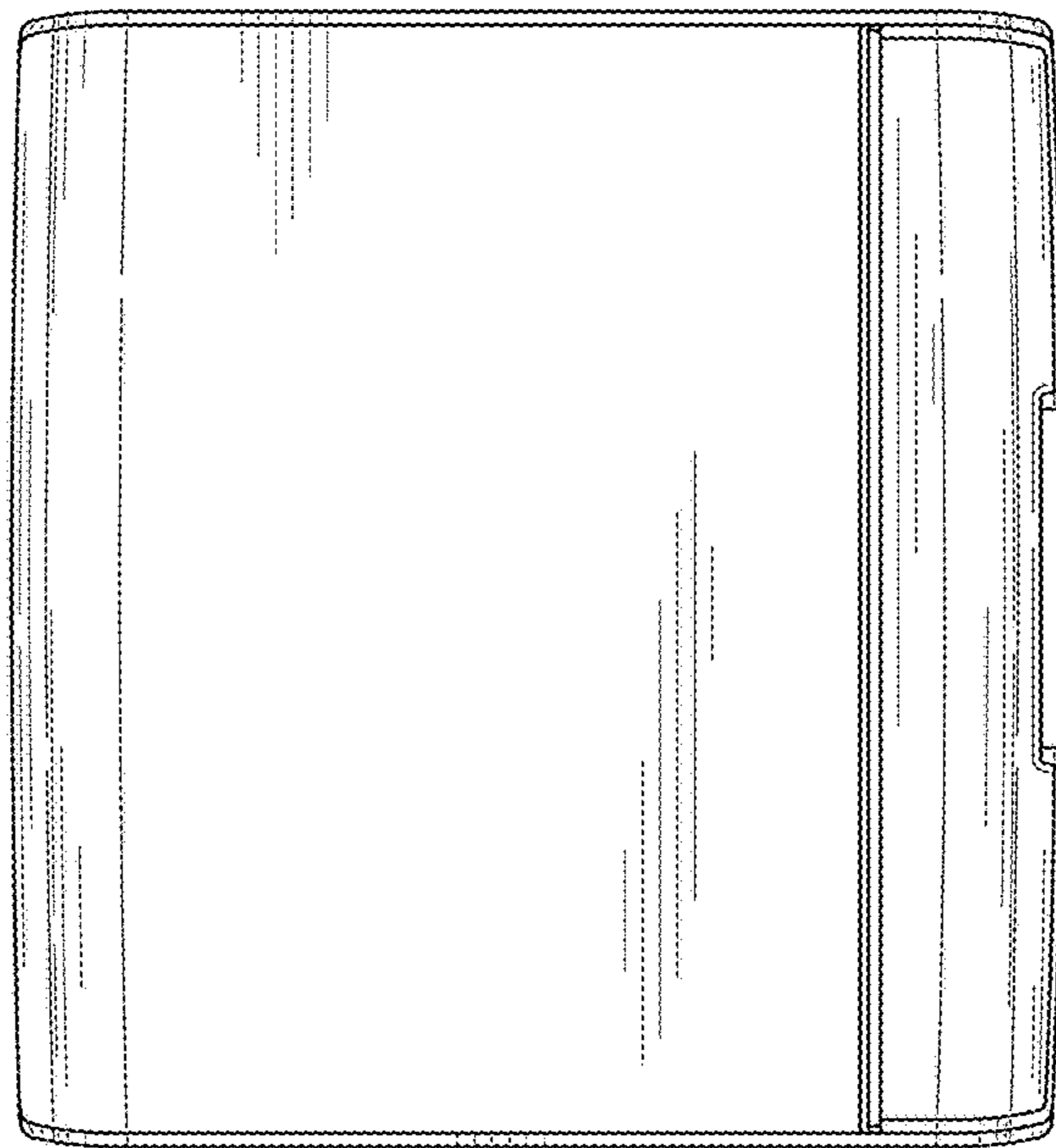


FIG. 11

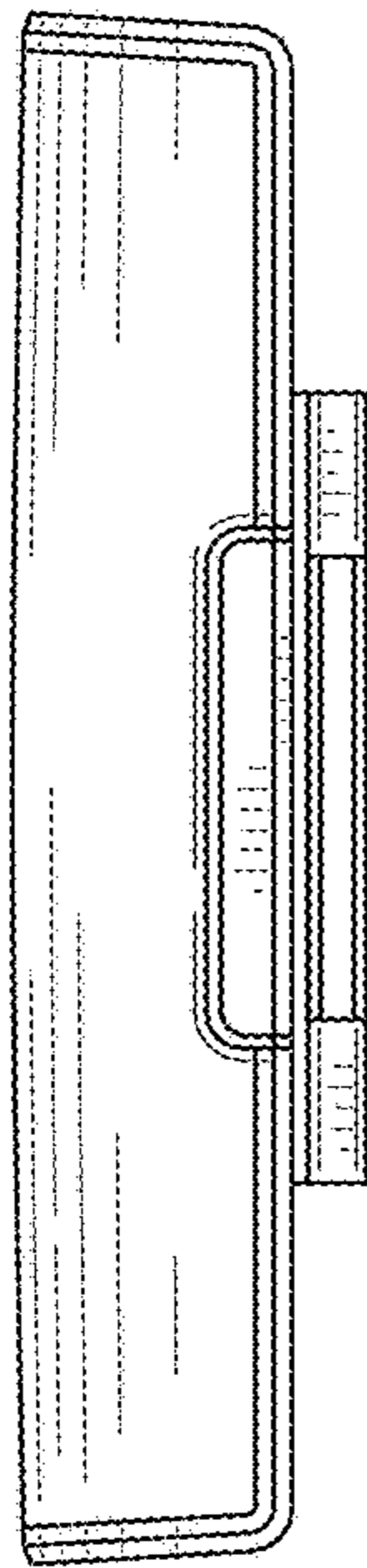


FIG. 12

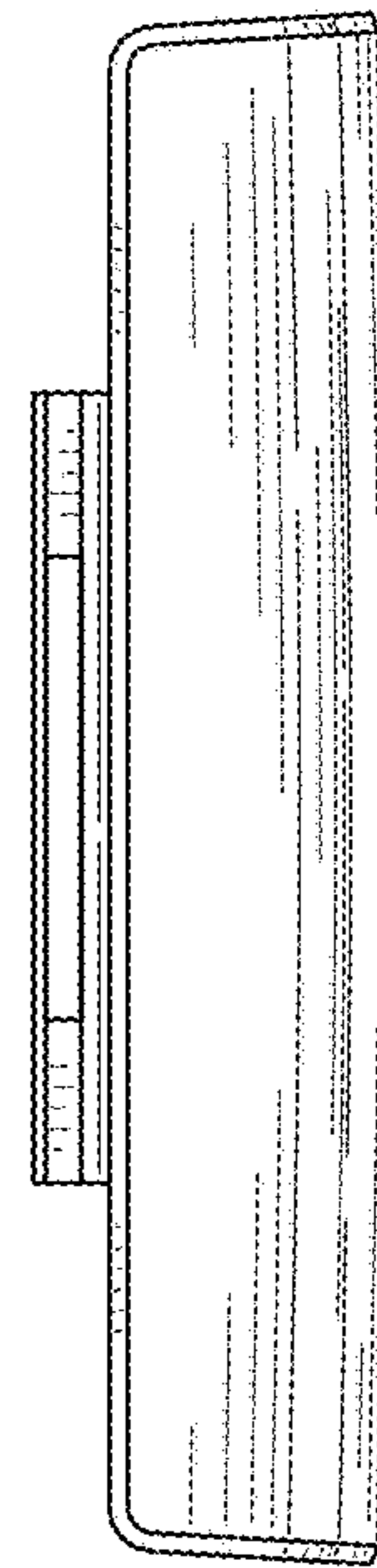


FIG. 13

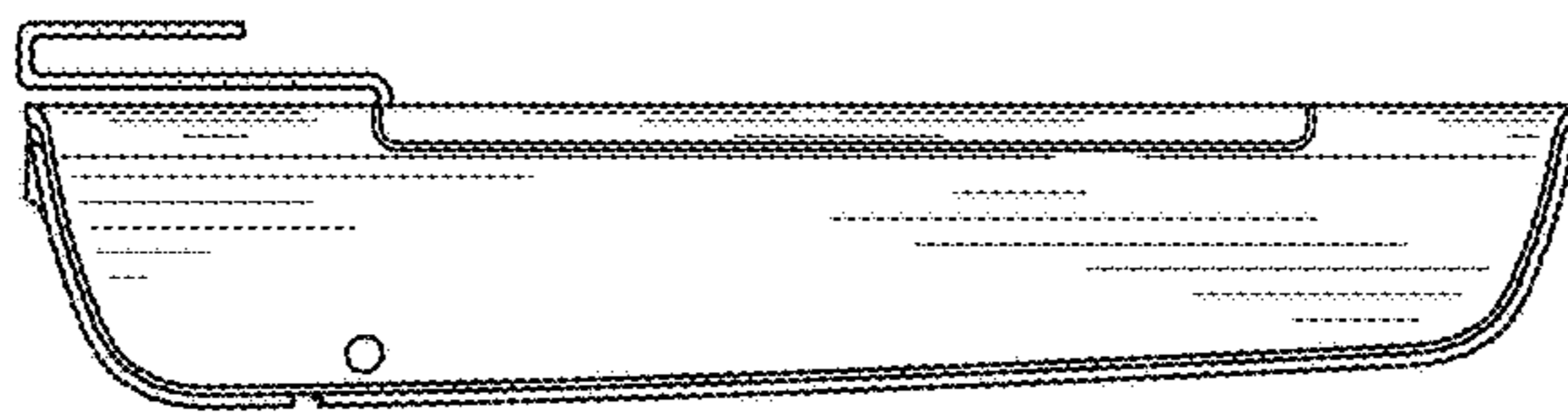


FIG. 14

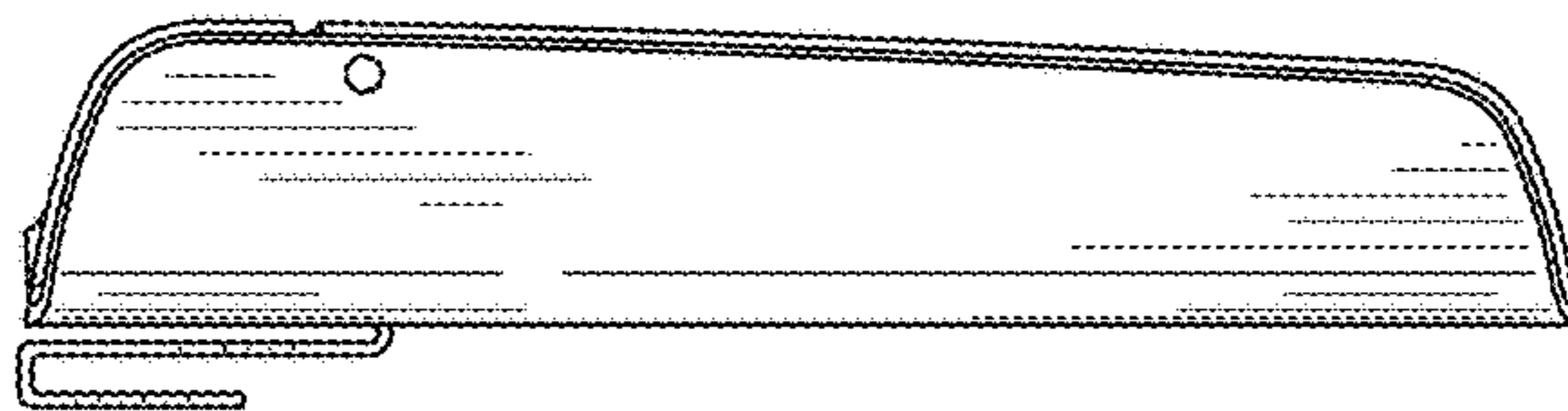


FIG. 15

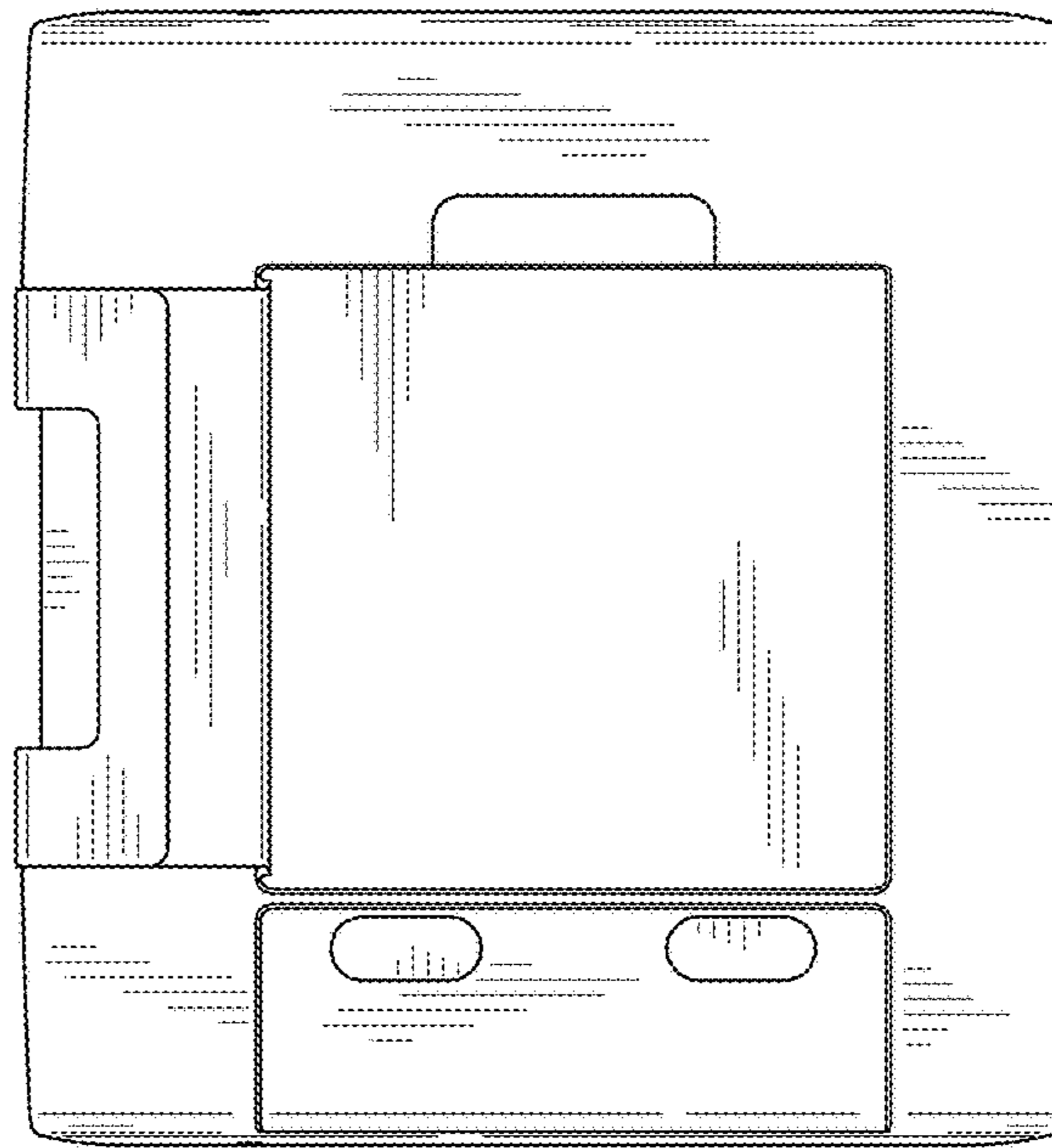


FIG. 16