



US00D871751S

(12) **United States Design Patent**
Heitz

(10) **Patent No.:** **US D871,751 S**
(45) **Date of Patent:** **** Jan. 7, 2020**

(54) **CASE CONTAINING TOOLS FOR REMOVING TICKS**

(71) Applicant: **H3D**, Lavancia-Epercy (FR)

(72) Inventor: **Denis Heitz**, Lavancia-Epercy (FR)

(73) Assignee: **H3D**, Lavancia Epercy (FR)

(**) Term: **15 Years**

(21) Appl. No.: **29/633,927**

(22) Filed: **Jan. 17, 2018**

(30) **Foreign Application Priority Data**

Jul. 18, 2017 (EM) 004109585-001

(51) **LOC (12) Cl.** **03-01**

(52) **U.S. Cl.**
USPC **D3/201**

(58) **Field of Classification Search**
USPC D3/201, 207, 208, 215, 226, 228, 229,
D3/230, 269, 273, 290, 299, 303, 304,
D3/316, 318
CPC B65D 83/384; F41H 9/10
See application file for complete search history.

(56) **References Cited**

U.S. PATENT DOCUMENTS

5,078,729 A * 1/1992 Eichhorn A61B 17/50
294/99.2
5,554,161 A * 9/1996 Thibeault A61B 17/50
30/324
D401,405 S * 11/1998 Kim D3/205

D459,338 S * 6/2002 Sterzick D14/196
D614,017 S * 4/2010 Bender D8/356
D640,053 S * 6/2011 Volkel D3/269
D832,572 S * 11/2018 Bae D3/201
D844,986 S * 4/2019 Zhao D3/298
D855,443 S * 8/2019 Fung D8/359
2004/0205255 A1 * 10/2004 Joachim G06F 1/1626
710/1
2005/0081303 A1 * 4/2005 Goldberg B25B 15/00
7/165
2005/0085210 A1 * 4/2005 Leung F16B 45/02
455/344
2005/0278907 A1 * 12/2005 DiMarchi A44B 15/005
24/599.1

* cited by examiner

Primary Examiner — Holly E Thurman

(74) *Attorney, Agent, or Firm* — Ladas & Parry LLP

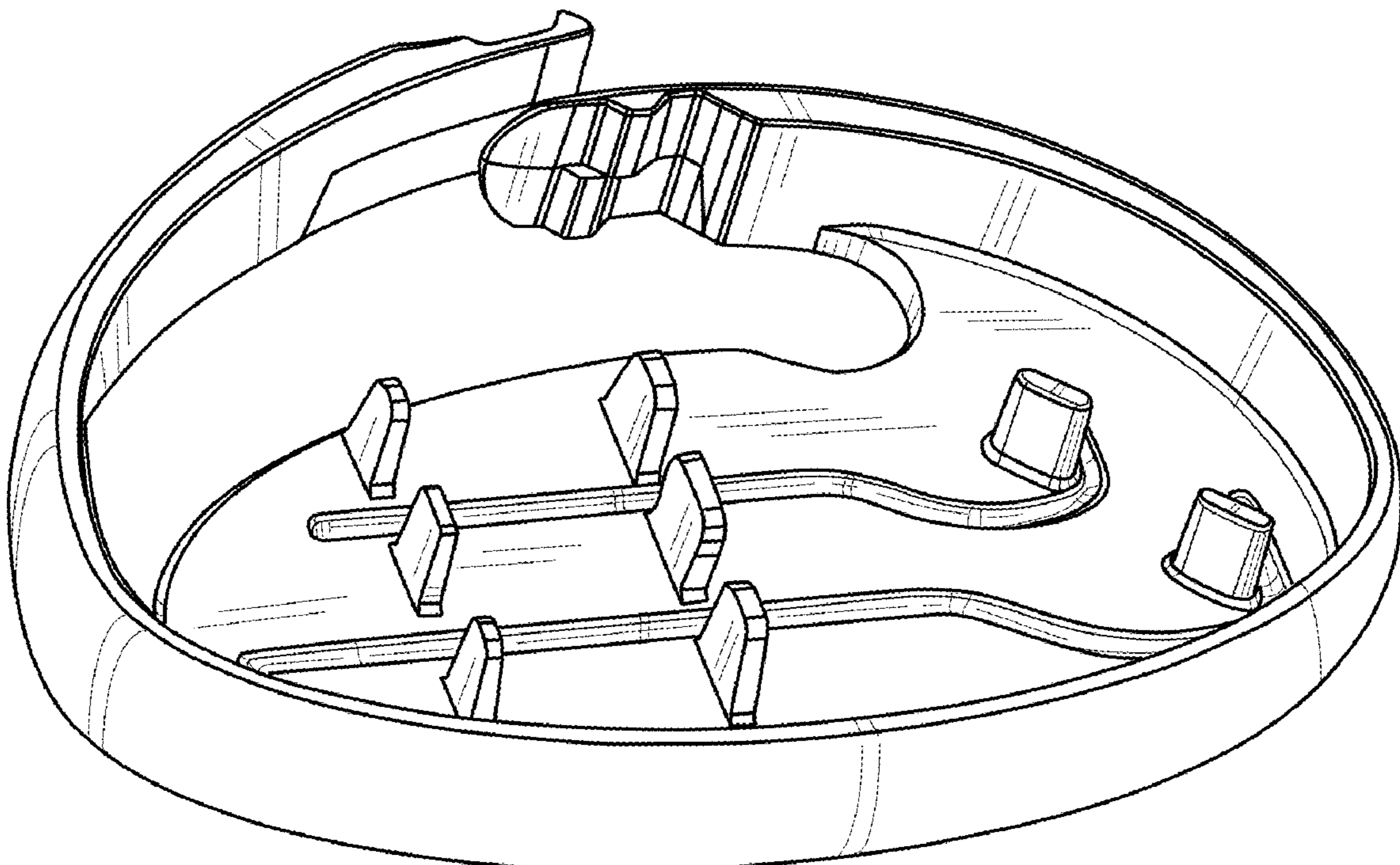
(57) **CLAIM**

The ornamental design for a case containing tools for removing ticks, as shown and described.

DESCRIPTION

FIG. 1 is a perspective view of the case containing tools for removing ticks showing our new design;
FIG. 2 is a top plan view thereof;
FIG. 3 is a bottom plan view thereof;
FIG. 4 is a rear elevational view thereof;
FIG. 5 is a front elevational view thereof;
FIG. 6 is a right side view thereof in an alternative closed position;
FIG. 7 is a left side view thereof; and,
FIG. 8 is a top plan view thereof.

1 Claim, 8 Drawing Sheets



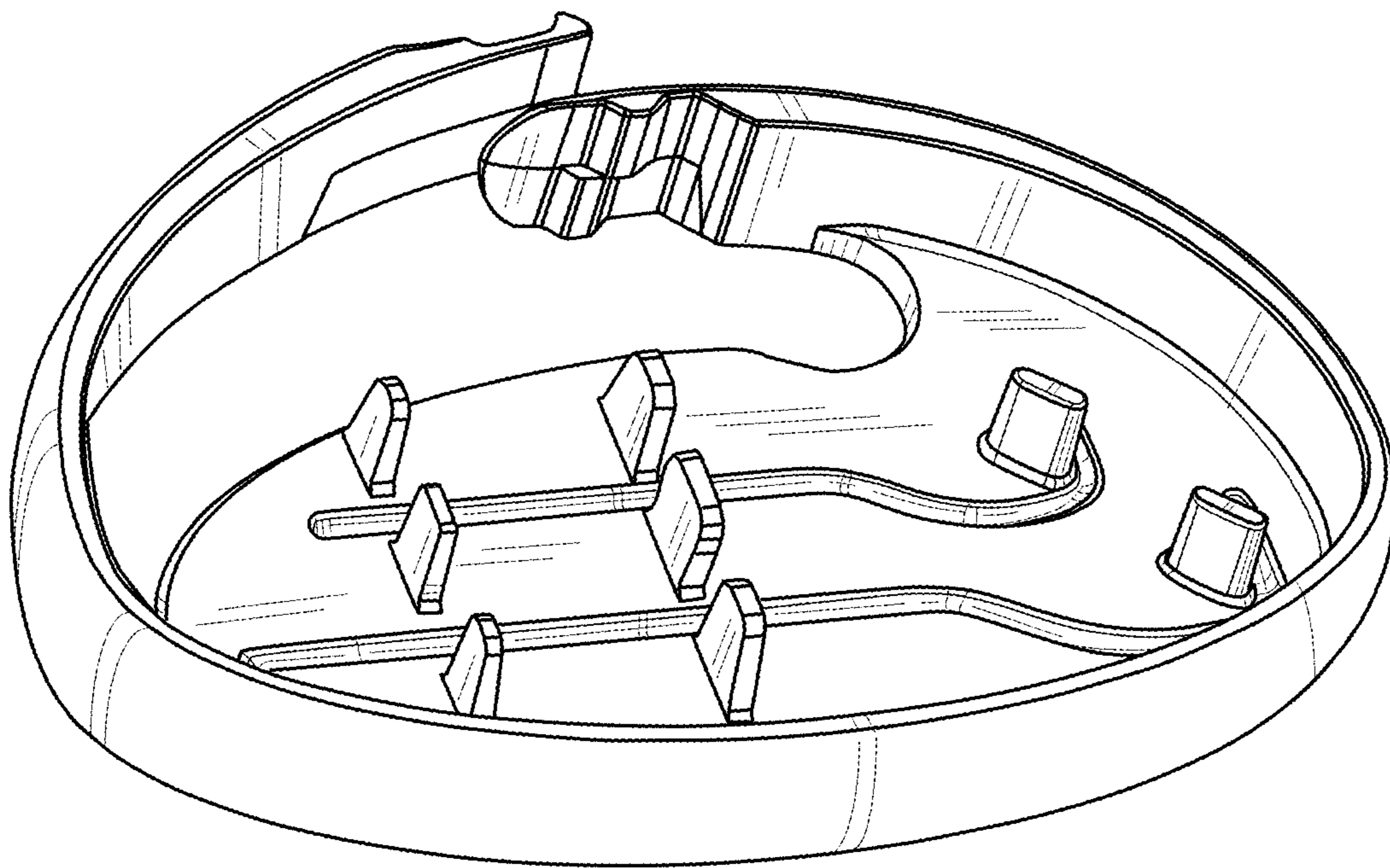


FIG. 1

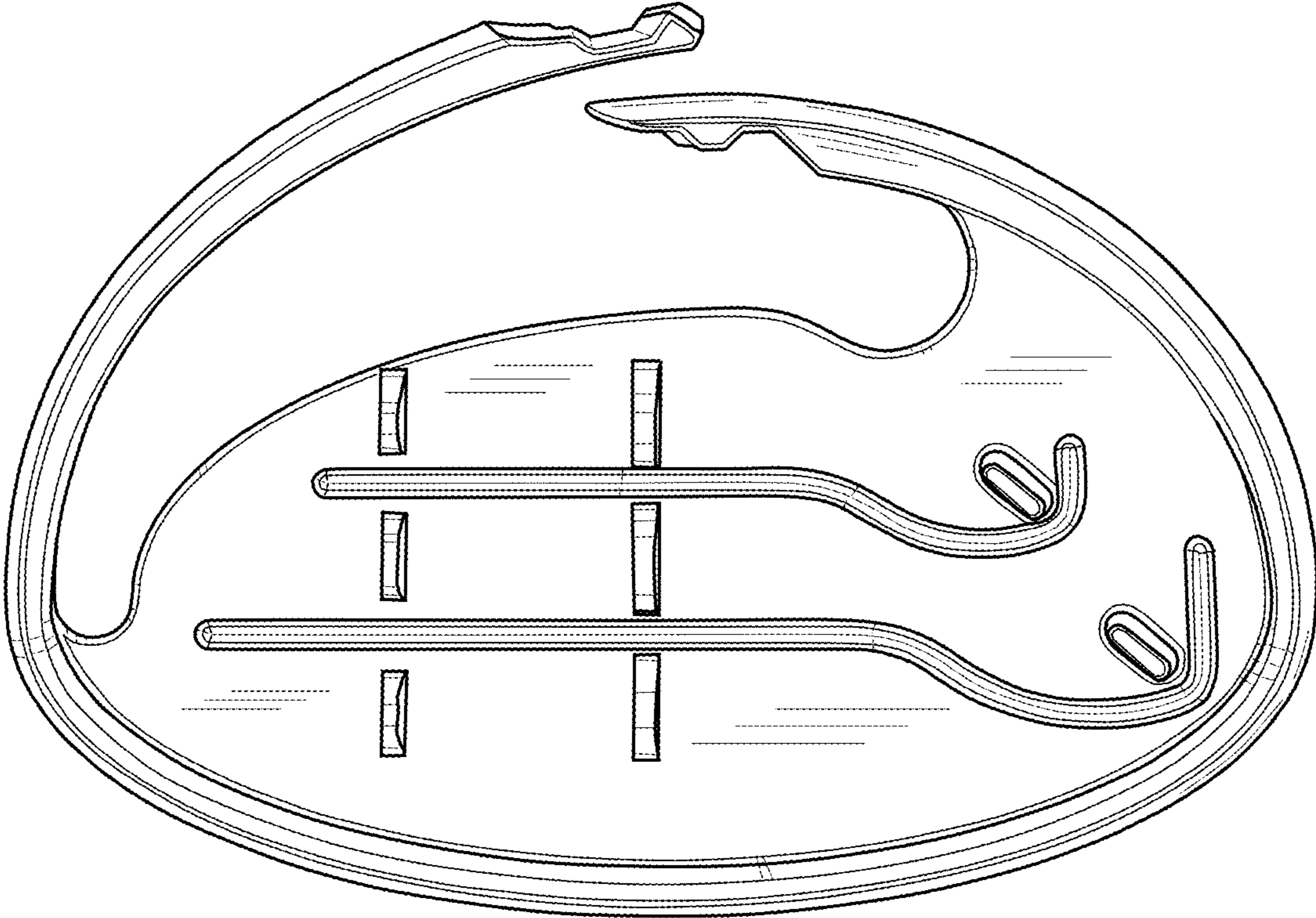


FIG. 2

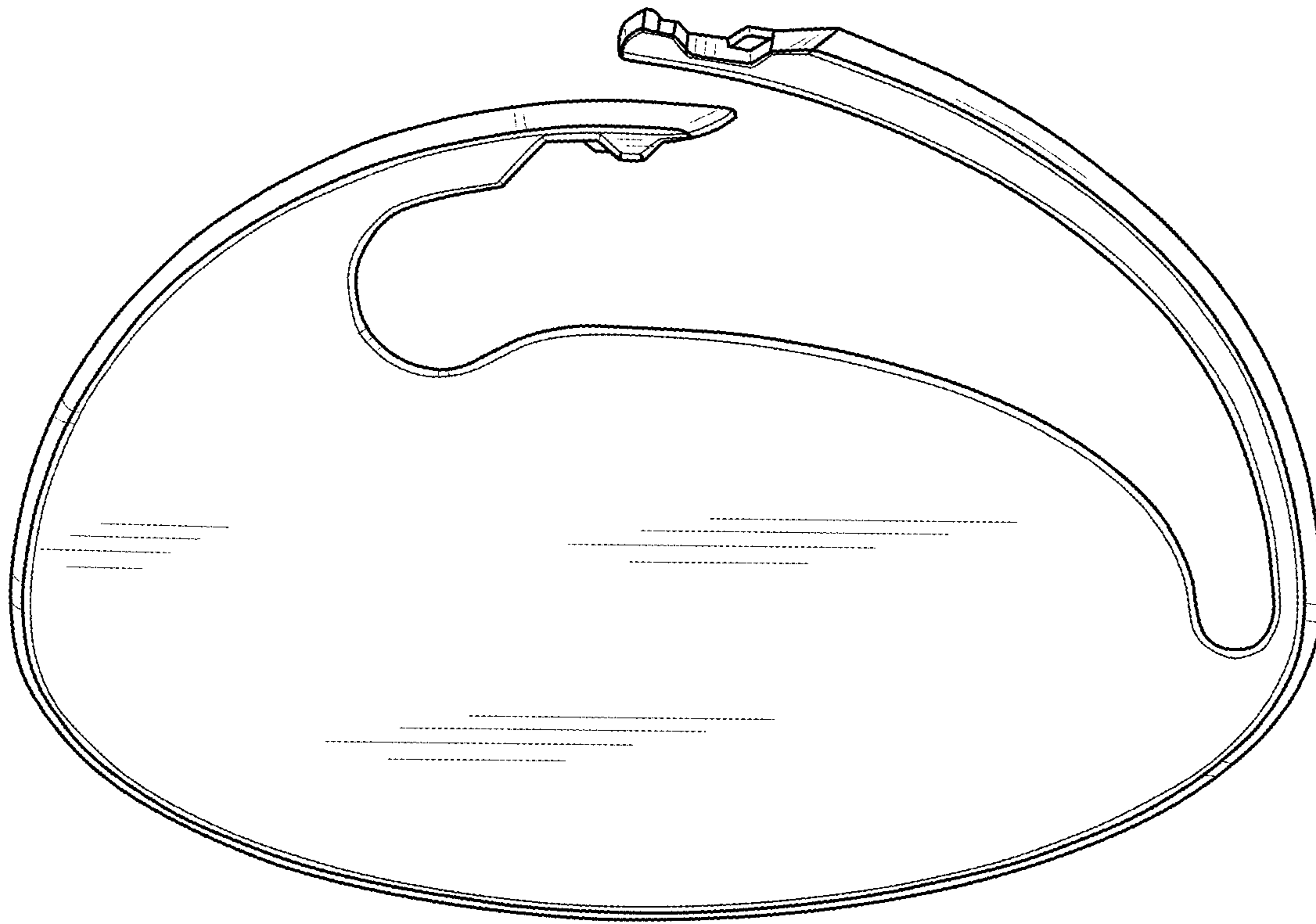


FIG. 3

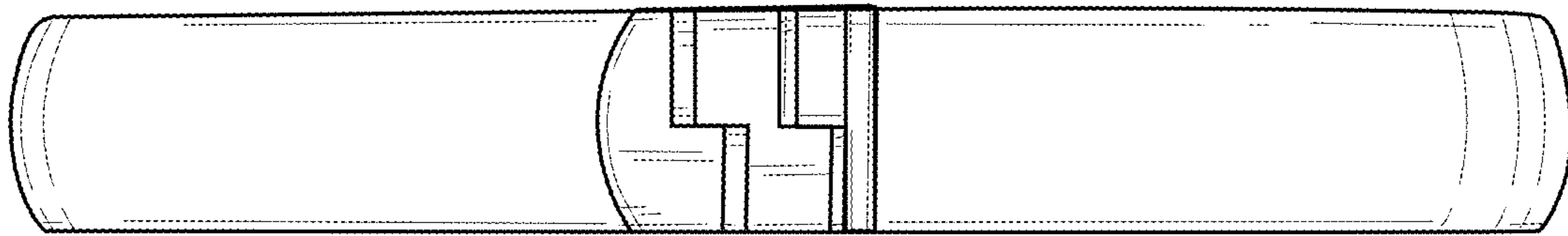


FIG. 4



FIG. 5

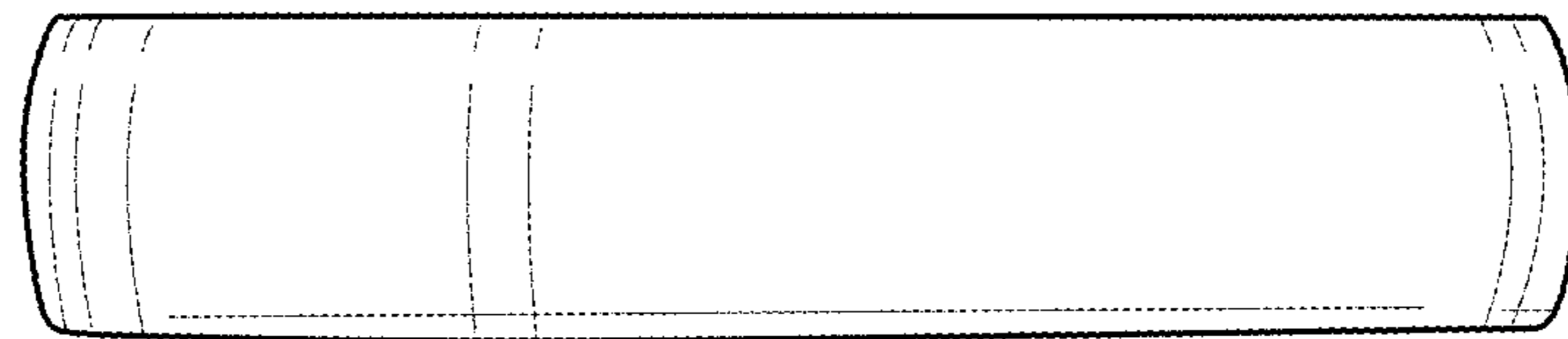


FIG. 6

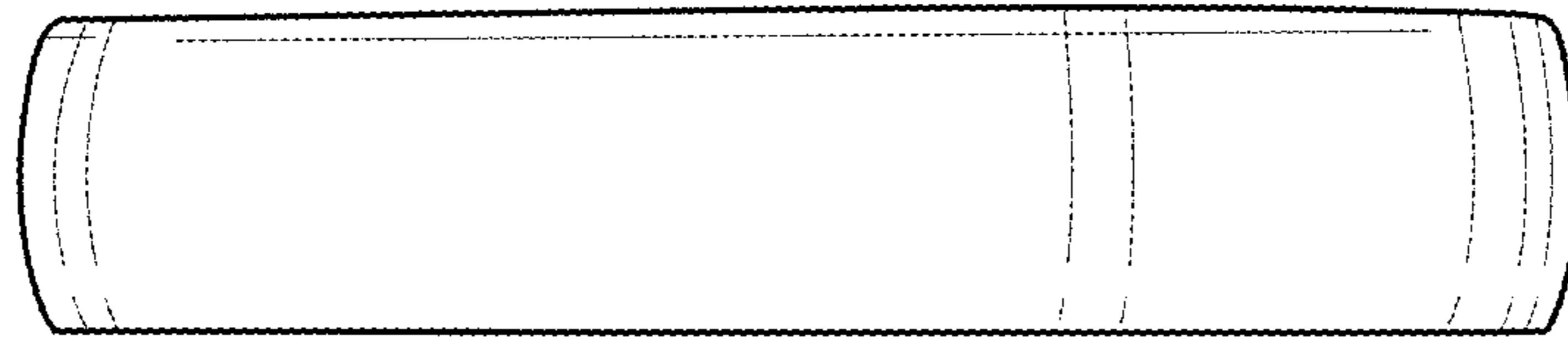


FIG. 7

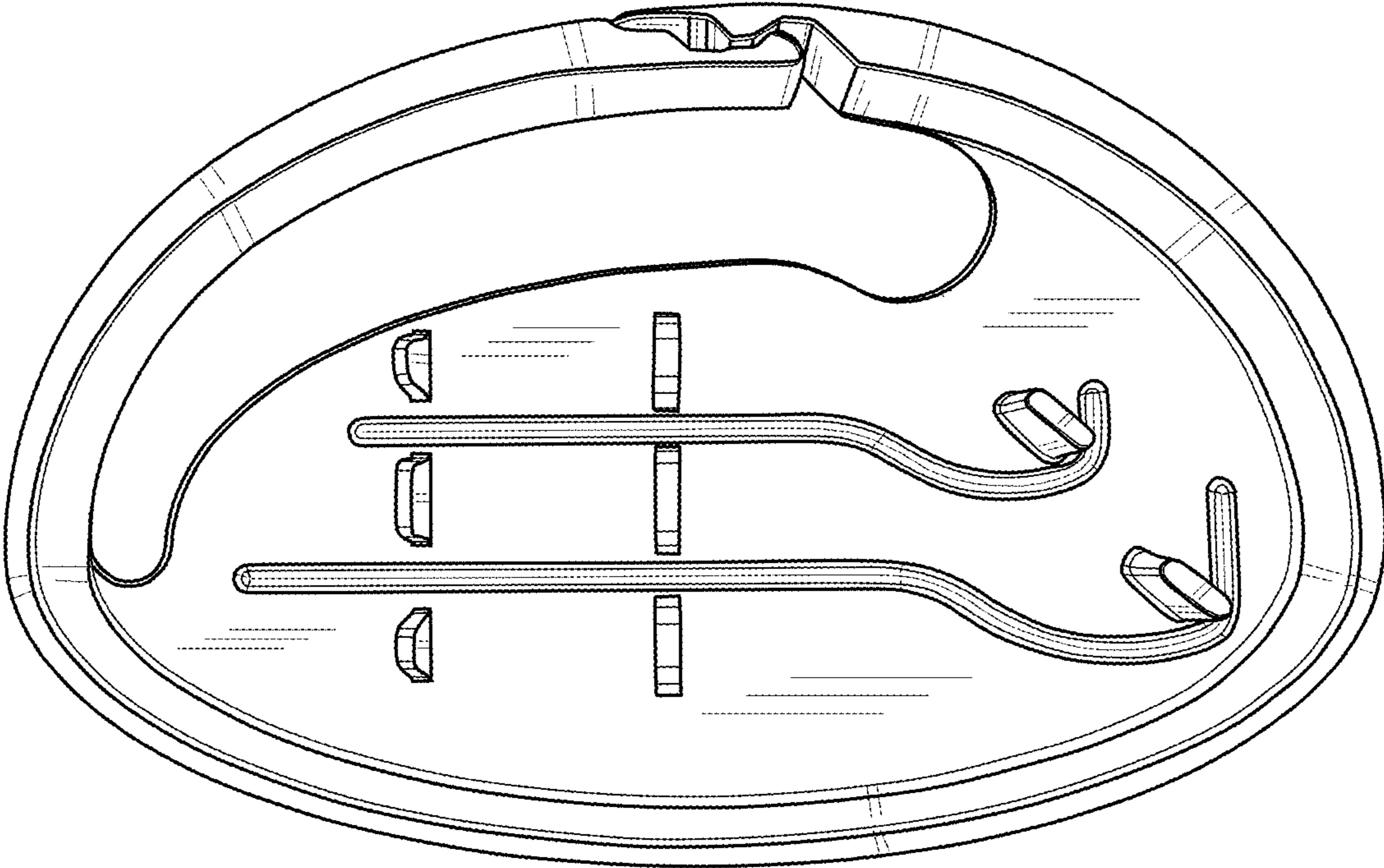


FIG. 8