



US00D871750S

(12) **United States Design Patent**
Noh

(10) **Patent No.:** **US D871,750 S**
(45) **Date of Patent:** **** Jan. 7, 2020**

(54) **TOTE BAG**

(71) Applicant: **BNB ENTERPRISE CORP.**,
Montebello, CA (US)

(72) Inventor: **Kevin Kyungshik Noh**, Manhattan
Beach, CA (US)

(73) Assignee: **BNB ENTERPRISE CORP.**,
Montebello, CA (US)

(**) Term: **15 Years**

(21) Appl. No.: **29/562,765**

(22) Filed: **Apr. 28, 2016**

(51) **LOC (12) Cl.** **03-01**

(52) **U.S. Cl.**
USPC **D3/201**

(58) **Field of Classification Search**
USPC D3/201, 207, 208, 215, 226, 228, 229,
D3/230, 269, 273, 290, 299, 303, 304,
D3/316, 318; D9/702, 703, 705, 707,
D9/709, 710
CPC B65D 83/384; F41H 9/10
See application file for complete search history.

(56) **References Cited**

U.S. PATENT DOCUMENTS

D422,411 S	*	4/2000	Martin	D3/201
D549,400 S	*	8/2007	Gold	D3/201
D588,353 S	*	3/2009	Khubani	D3/201
D672,556 S	*	12/2012	Scarabelli	D3/289
D711,096 S		8/2014	Hanna		

D717,040 S	*	11/2014	Swartzel	D3/232
D718,053 S	*	11/2014	McFreen	D3/279
D739,654 S	*	9/2015	Brouard	D3/276
D756,651 S	*	5/2016	Ruiz	D3/309
D758,731 S	*	6/2016	Noh	D3/304
D776,929 S	*	1/2017	Noh	D3/315
D801,043 S	*	10/2017	Lucas	D3/246
D802,911 S	*	11/2017	Wang	D3/201
D814,784 S	*	4/2018	Barlier	D3/201
D815,834 S	*	4/2018	Felsenthal	D3/307
D819,967 S	*	6/2018	Carter	D3/246
D824,666 S	*	8/2018	Carter	D3/245
D825,913 S	*	8/2018	Barlier	D3/201

* cited by examiner

Primary Examiner — Holly E Thurman

(74) *Attorney, Agent, or Firm* — Wood, Phillips, Katz,
Clark & Mortimer

(57) **CLAIM**

The ornamental design for a tote bag, as shown and described.

DESCRIPTION

FIG. 1 is a perspective view of a tote bag showing my new design;
FIG. 2 is a front elevational view thereof;
FIG. 3 is a rear elevational view thereof;
FIG. 4 is a top plan view thereof;
FIG. 5 is a bottom plan view thereof;
FIG. 6 is a right side elevational view thereof; and,
FIG. 7 is a left side elevational view thereof.
The broken line elements in the drawings depict stitching and form part of the claimed design.

1 Claim, 7 Drawing Sheets

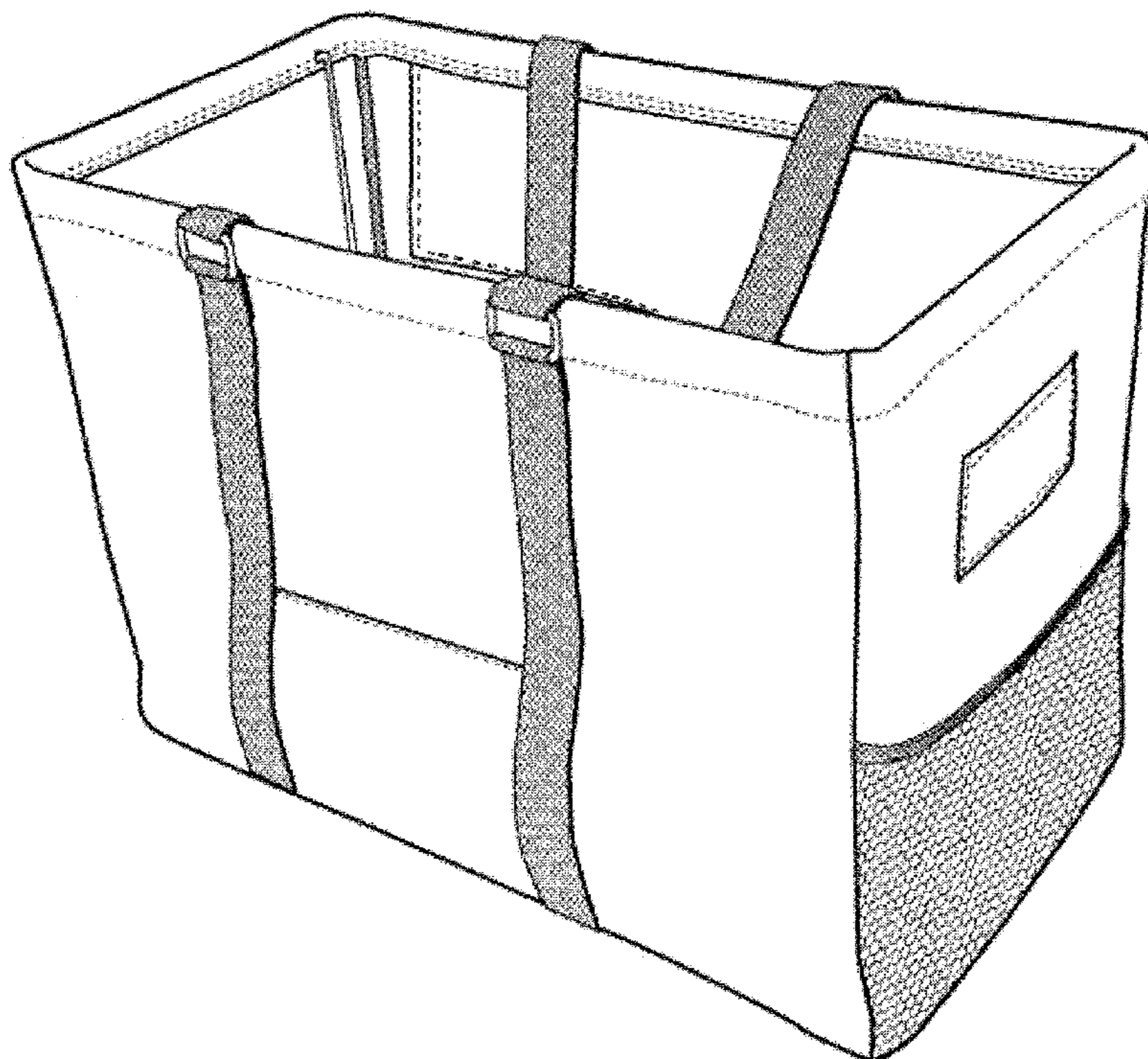


FIG. 1

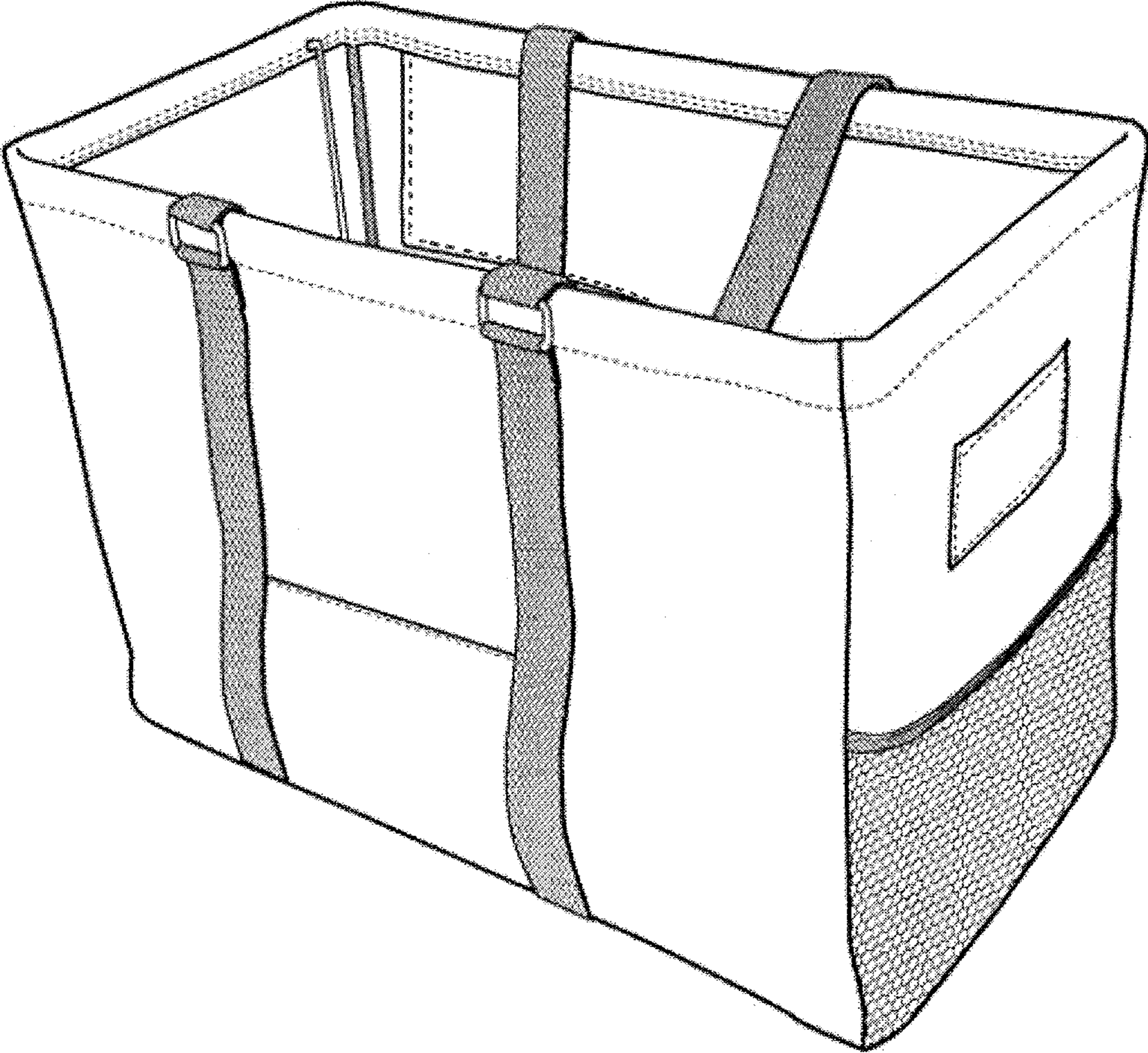


FIG.2

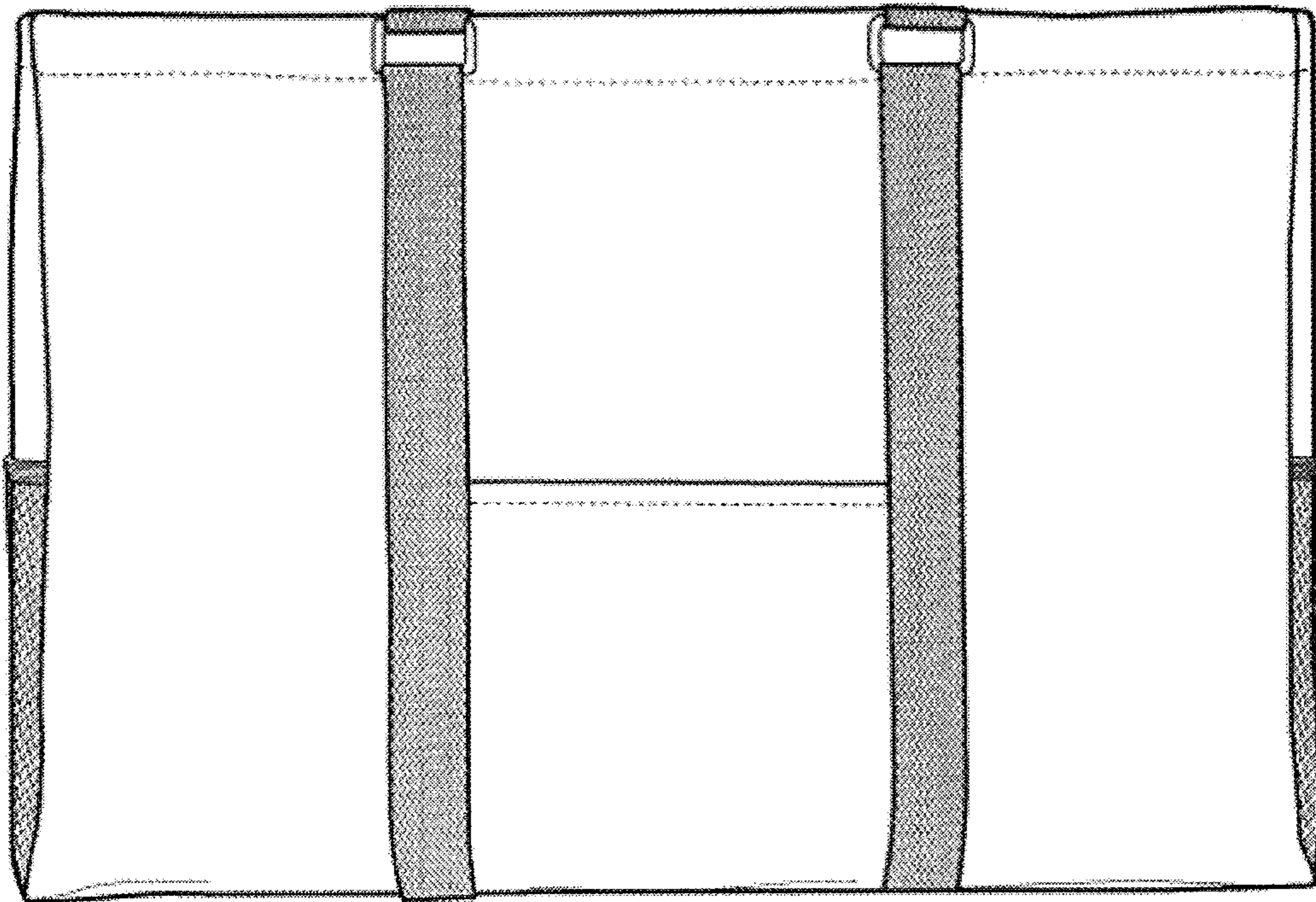


FIG.3

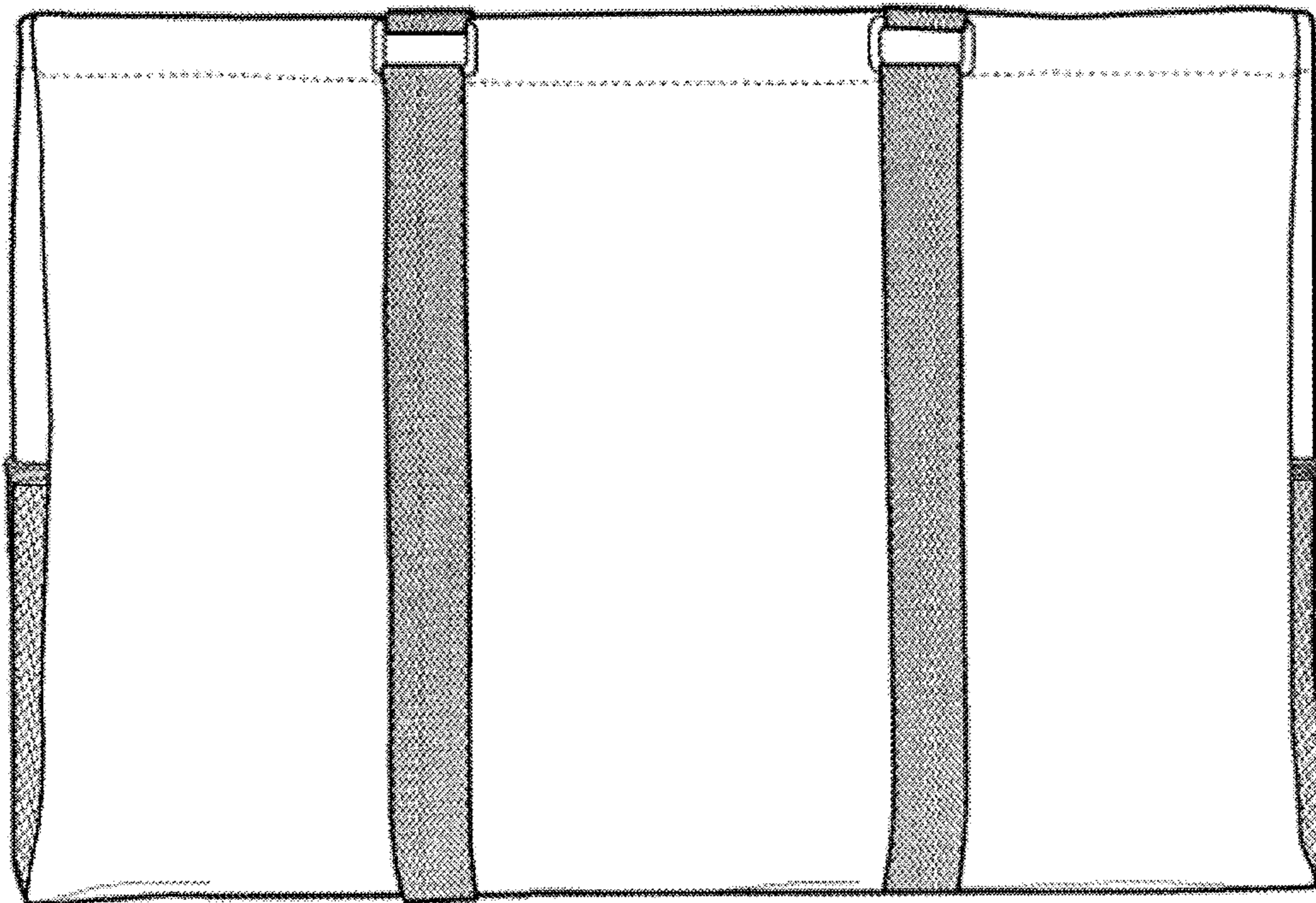


FIG. 4

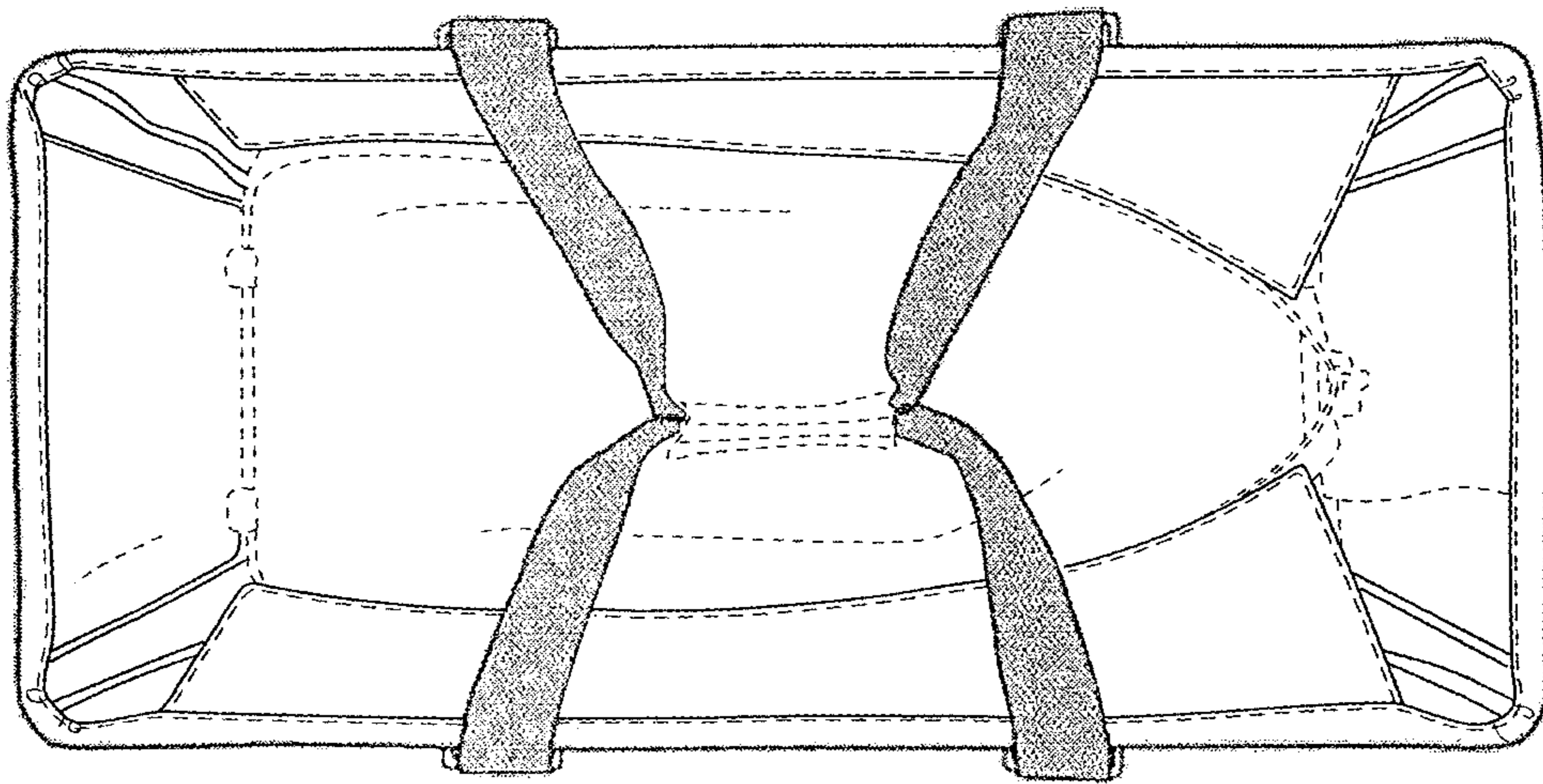


FIG.5

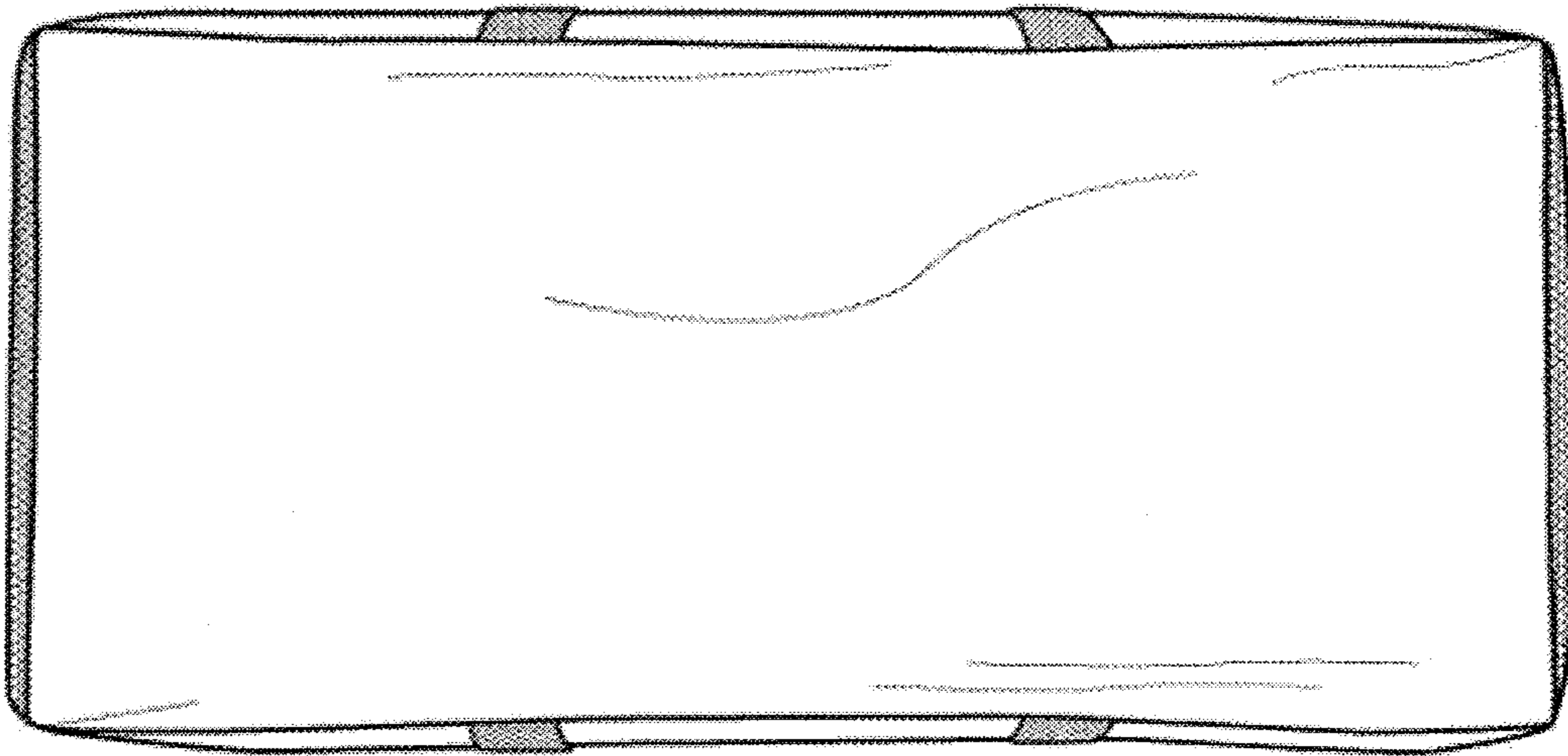


FIG.6

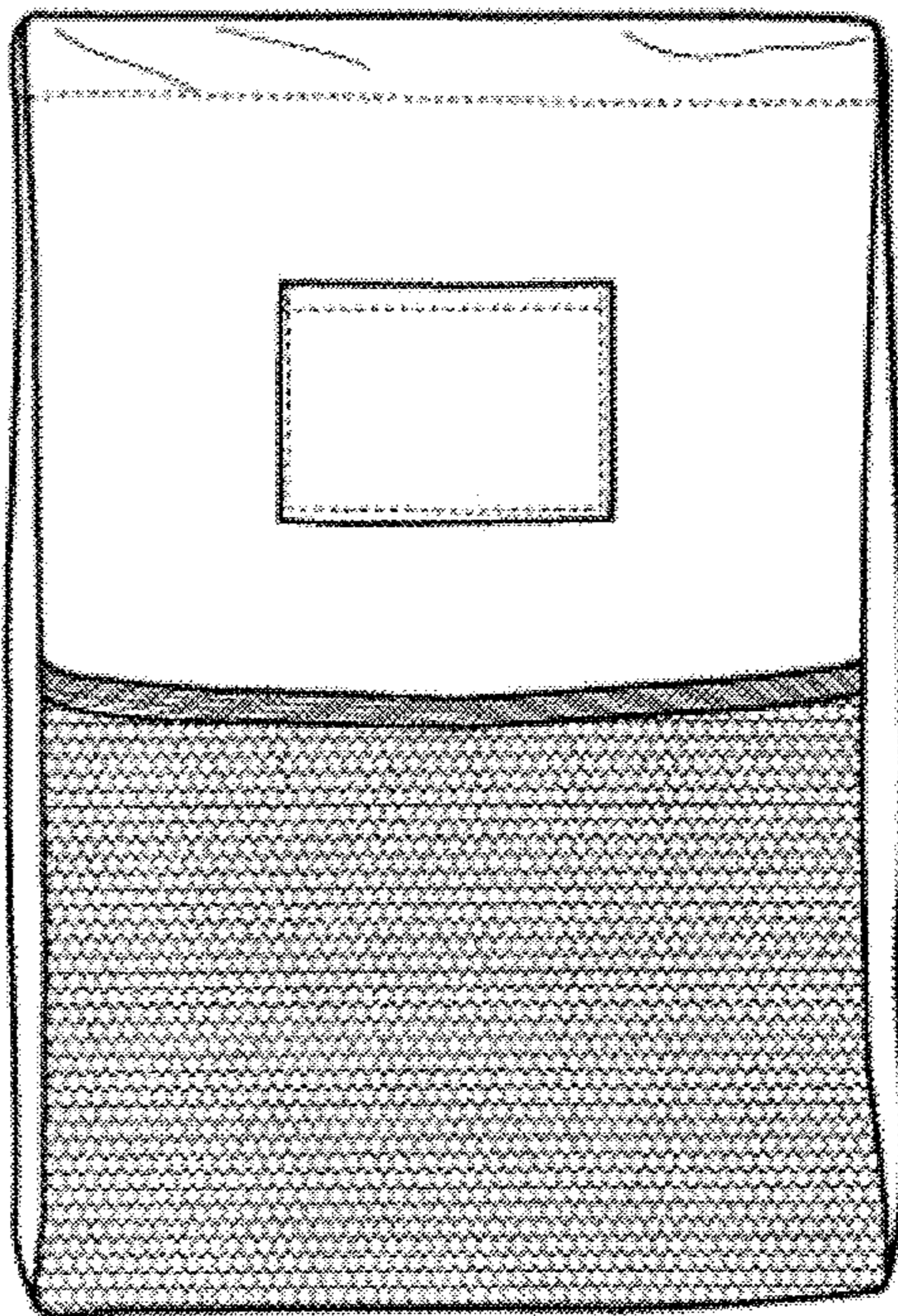


FIG. 7

