



US00D871741S

(12) **United States Design Patent**
Vargo

(10) **Patent No.:** **US D871,741 S**
(45) **Date of Patent:** **** Jan. 7, 2020**

(54) **SHOE CLEAT**

(71) Applicant: **Brian J. Vargo**, Lewisburg, PA (US)

(72) Inventor: **Brian J. Vargo**, Lewisburg, PA (US)

(**) Term: **15 Years**

(21) Appl. No.: **29/615,529**

(22) Filed: **Aug. 30, 2017**

(51) **LOC (12) Cl.** **02-04**

(52) **U.S. Cl.**

USPC **D2/962**

(58) **Field of Classification Search**

USPC D2/902–922, 923–943, 944–964,
D2/965–985, 913

CPC A43B 1/0036; A43B 21/00; A43B 21/02;
A43B 21/06; A43B 9/14; A43B 1/0045;
A43B 13/10; A43B 23/06; A43B 23/07;
A43B 5/12; A43B 23/081; A43B 7/147;
A43D 3/1491

See application file for complete search history.

(56) **References Cited**

U.S. PATENT DOCUMENTS

| | | | | | |
|-----------|-----|---------|----------|-------|-----------------------|
| 1,293,349 | A * | 2/1919 | Cotter | | A43C 15/06 36/7.6 |
| 2,538,182 | A * | 1/1951 | Young | | A43C 15/10 36/7.6 |
| 3,214,850 | A * | 11/1965 | McNair | | A43C 15/06 36/62 |
| D293,160 | S * | 12/1987 | Le Droit | | D2/962 |
| 5,485,687 | A * | 1/1996 | Rohde | | A43C 15/02 36/59 R |
| D748,903 | S * | 2/2016 | Lee | | D2/946 |
| D785,918 | S * | 5/2017 | Vargo | | D2/962 |

FOREIGN PATENT DOCUMENTS

JP D1435968 * 3/2012

OTHER PUBLICATIONS

Preview: Vargo Pocket Cleats V3 posted by Andrew Skurka posted date Jul. 28, 2017, © AndrewSkurka.Com, [online], [site visited Dec. 31, 2018]. Available from Internet, <https://andrewskurka.com/2017/preview-vargo-pocket-cleats-v3-ultralight-traction/> (Year: 2017).*

(Continued)

Primary Examiner — Cynthia Ramirez

Assistant Examiner — Laura H Yu

(74) *Attorney, Agent, or Firm* — Sonya C. Harris;
Invention Services

(57) **CLAIM**

The ornamental design for the shoe cleats, as shown and described.

DESCRIPTION

FIG. 1 is a top left perspective view of a shoe cleat, showing my new design;

FIG. 2 is a bottom left perspective view of my design;

FIG. 3 is a top view of my design;

FIG. 4 is a left elevational view of my design;

FIG. 5 is a bottom view of my design;

FIG. 6 is a front elevational view of my design;

FIG. 7 is a rear elevational view of my design;

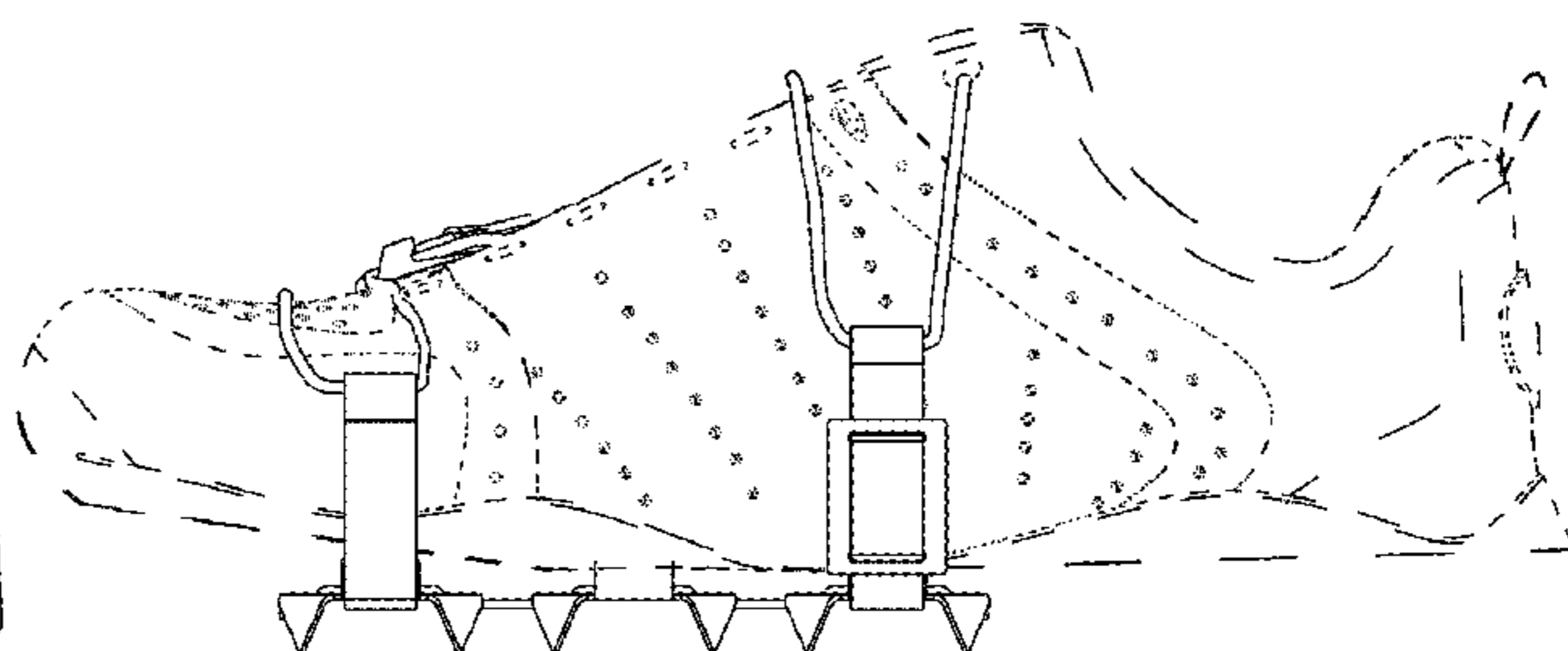
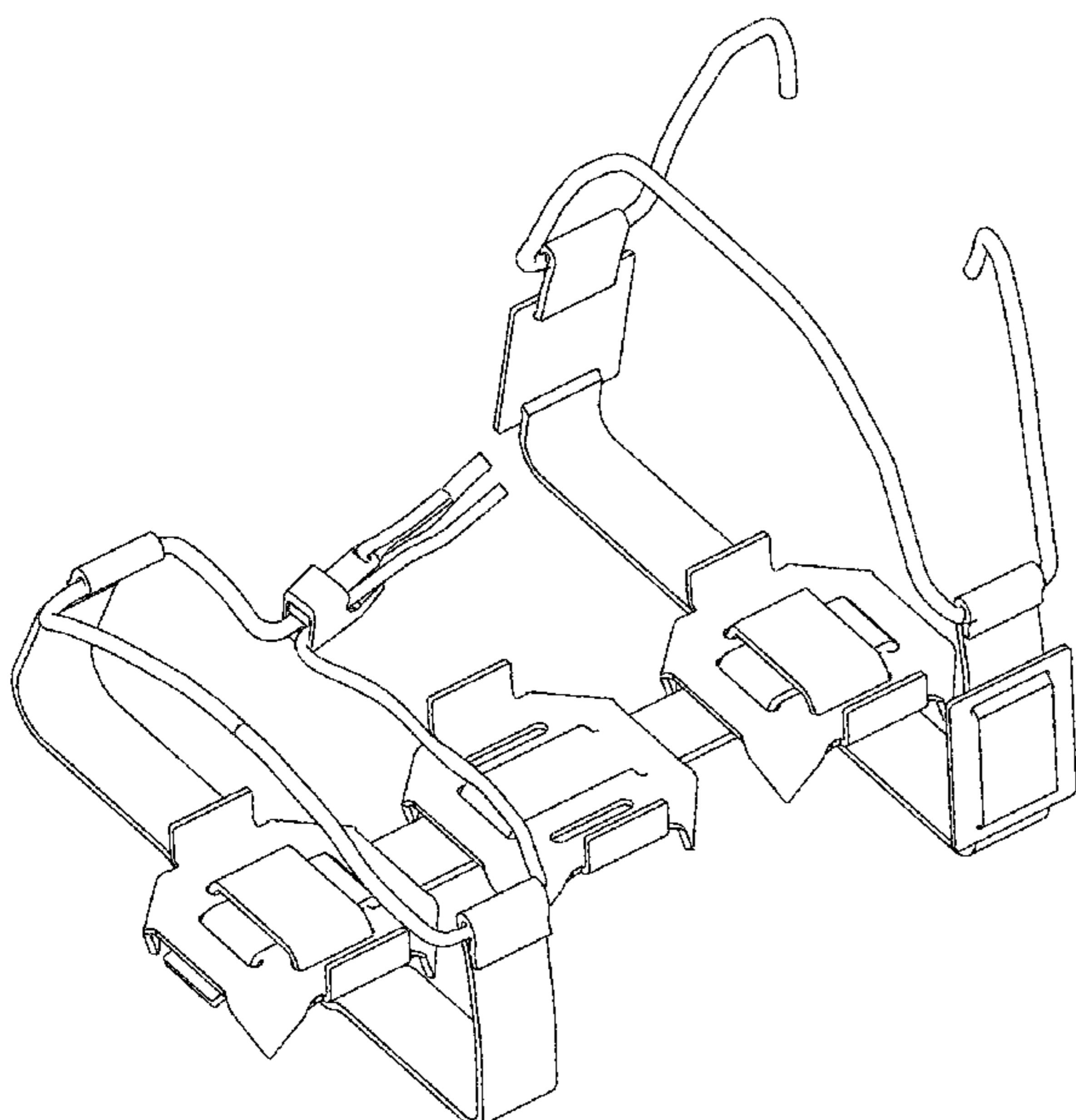
FIG. 8 is a left elevational view of the shoe cleat, shown in condition of use;

FIG. 9 is a top view of the shoe cleat, shown in condition of use; and,

FIG. 10 is a bottom perspective view view of the shoe cleat, shown in condition of use.

The broken lines illustrating a shoe are for the purposes of showing environment and form no part of the claimed design.

1 Claim, 8 Drawing Sheets



(56)

References Cited

OTHER PUBLICATIONS

Vargo Titanium Stainless Pocket Cleats posted by Vargo Outdoors posted date unknown, © 11st, [online], [site visited Dec. 31, 2018]. Available from Internet, <http://www.11st.co.kr/product/SellerProductDetail.tmall?method=getSellerProductDetail&prdNo=2192308884> (Year: 2018).*

Teeth Stainless Crampons posted by Yuedge posted date Dec. 6, 2016, © Amazon, [online], [site visited Dec. 31, 2018]. Available from Internet, <https://www.amazon.co.uk/YUEDGE-Stainless-Crampons-Non-slip-Climbing> (Year: 2016).*

* cited by examiner

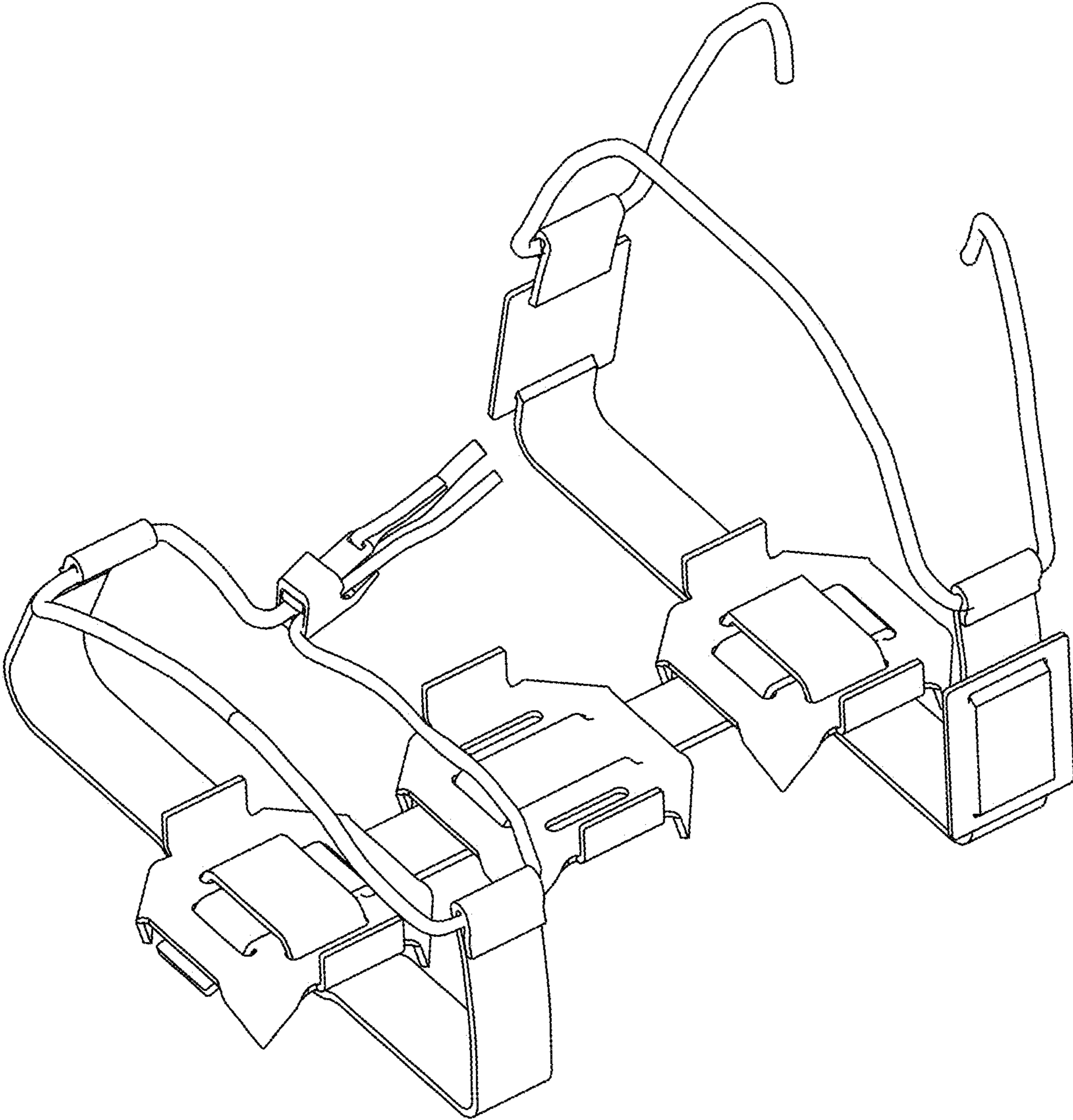


Figure 1

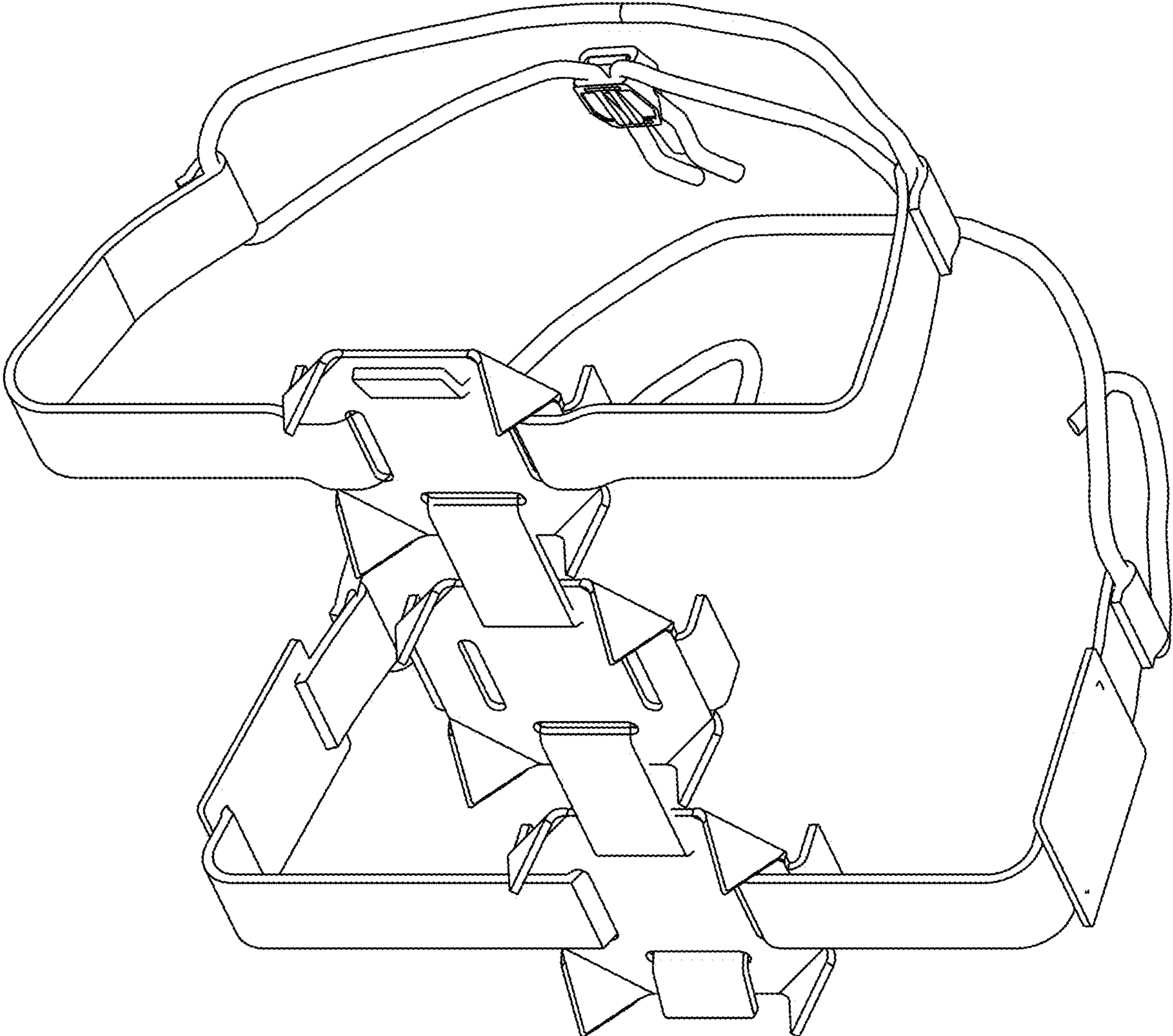


Figure 2

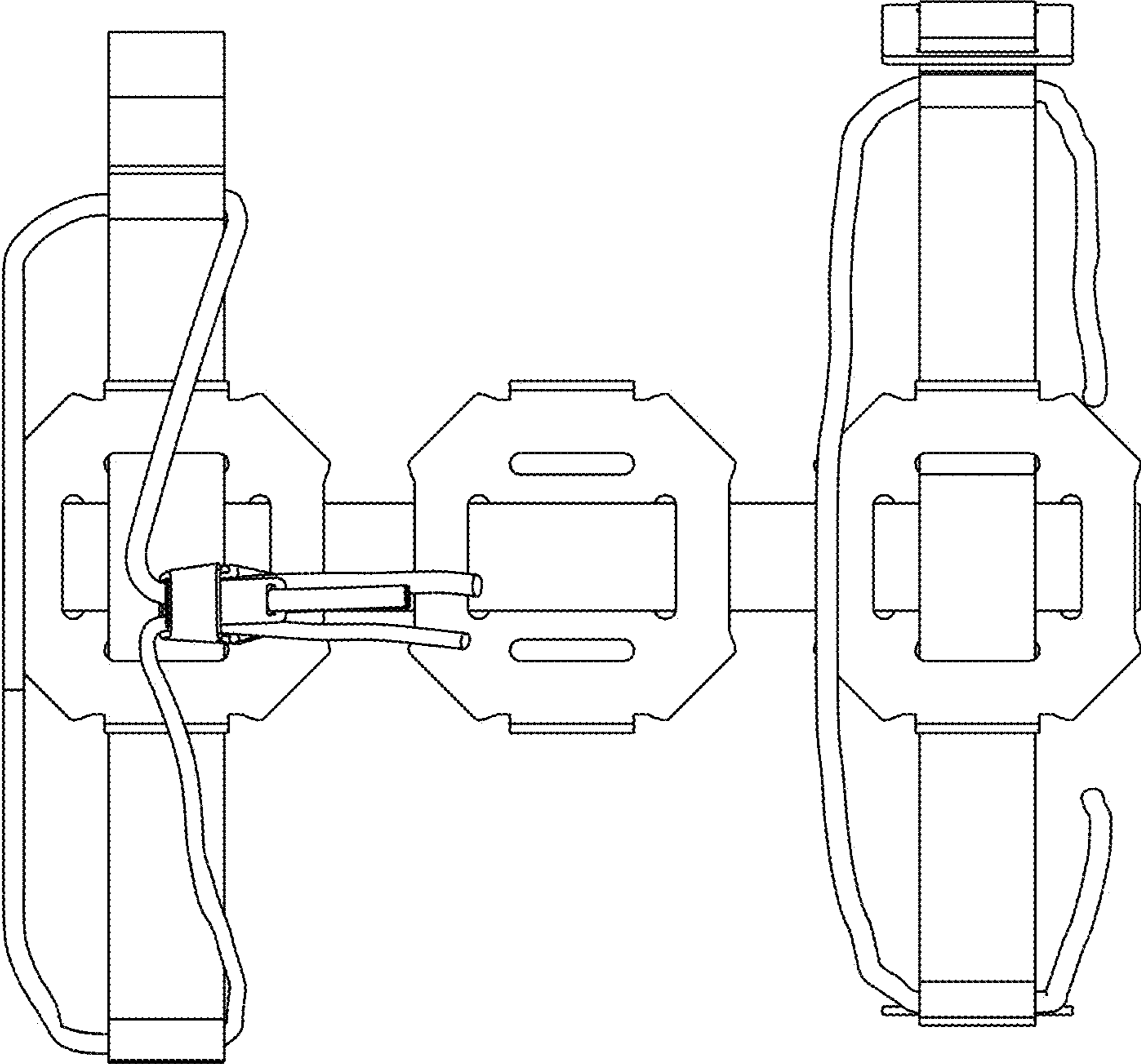


Figure 3

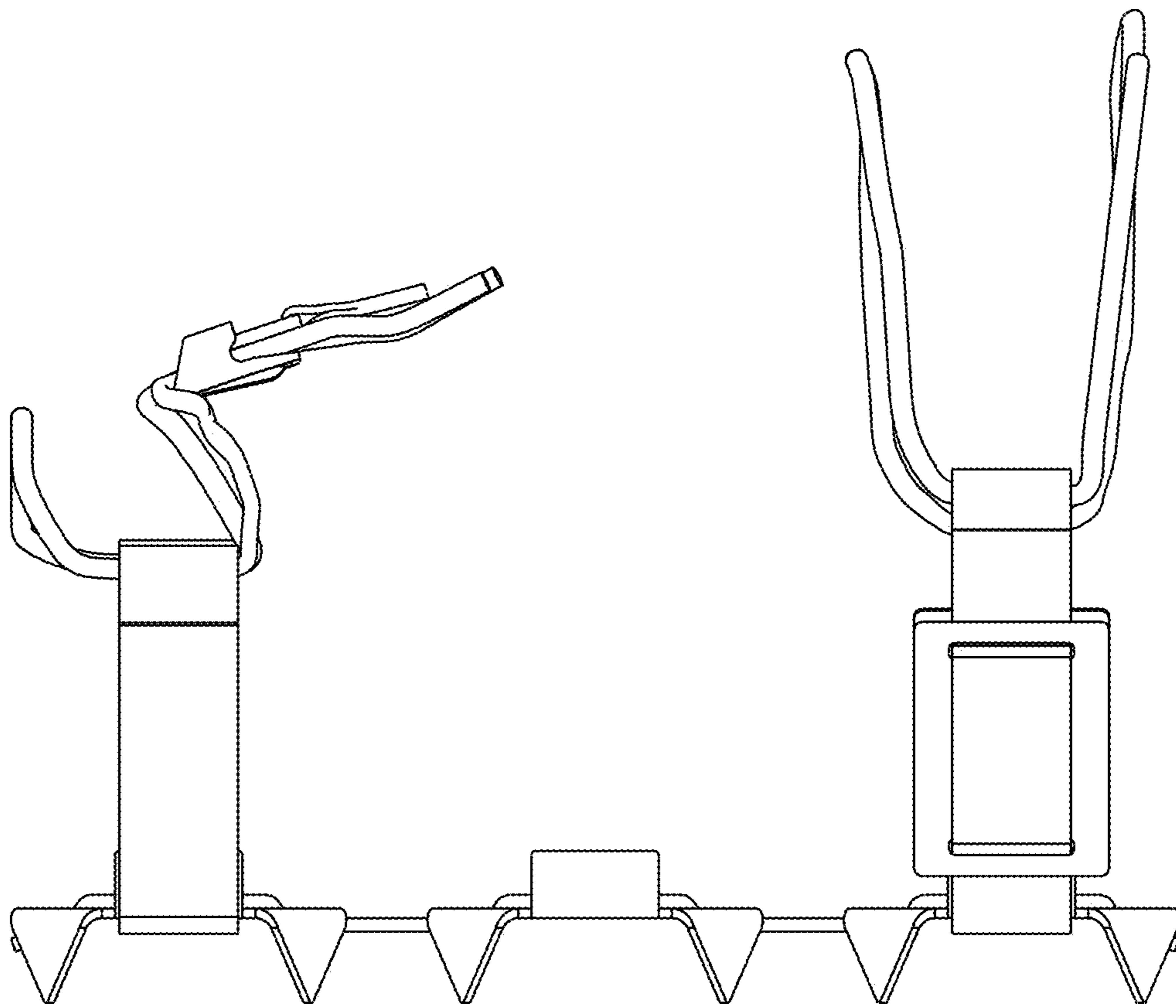


Figure 4

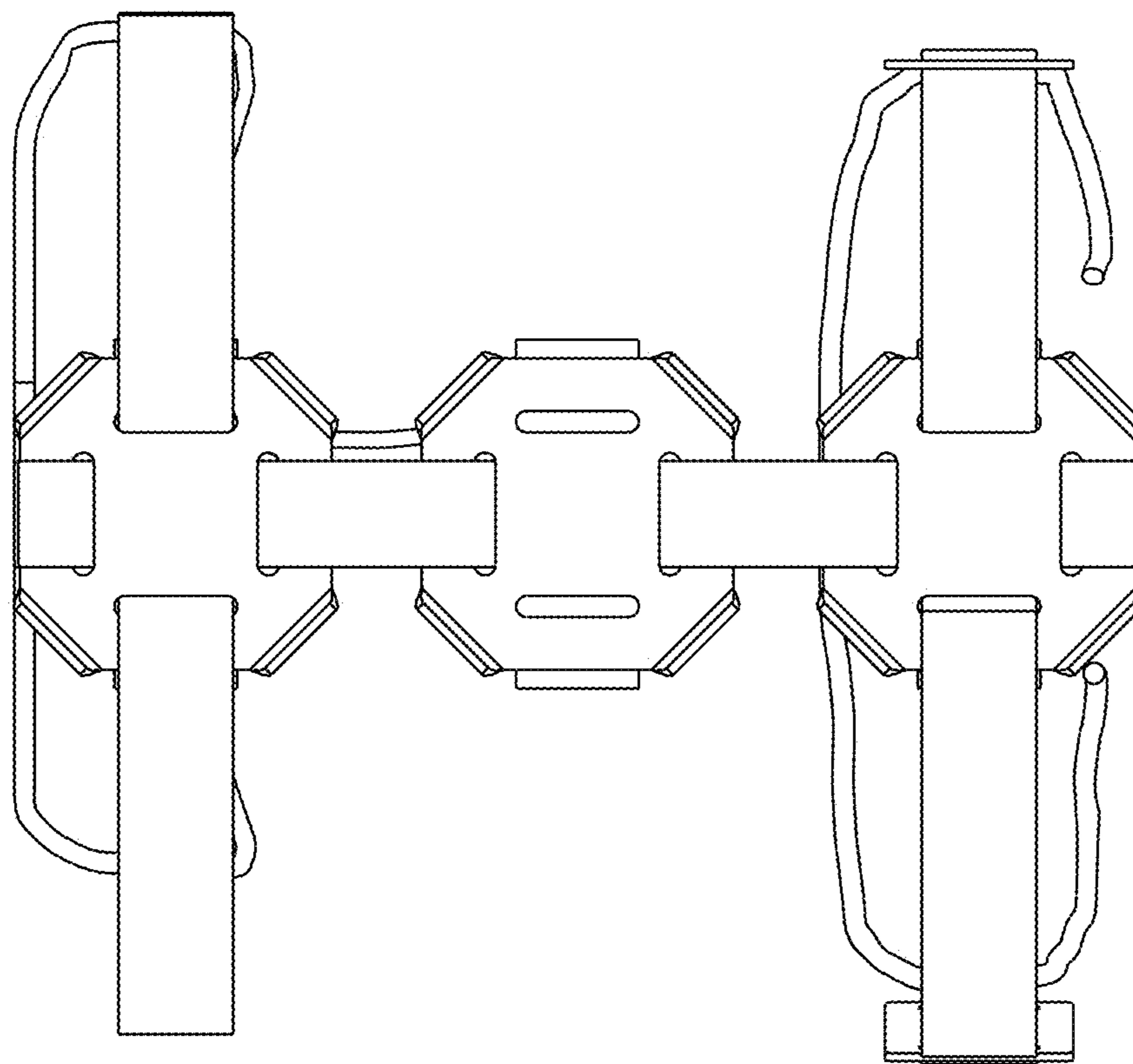


Figure 5

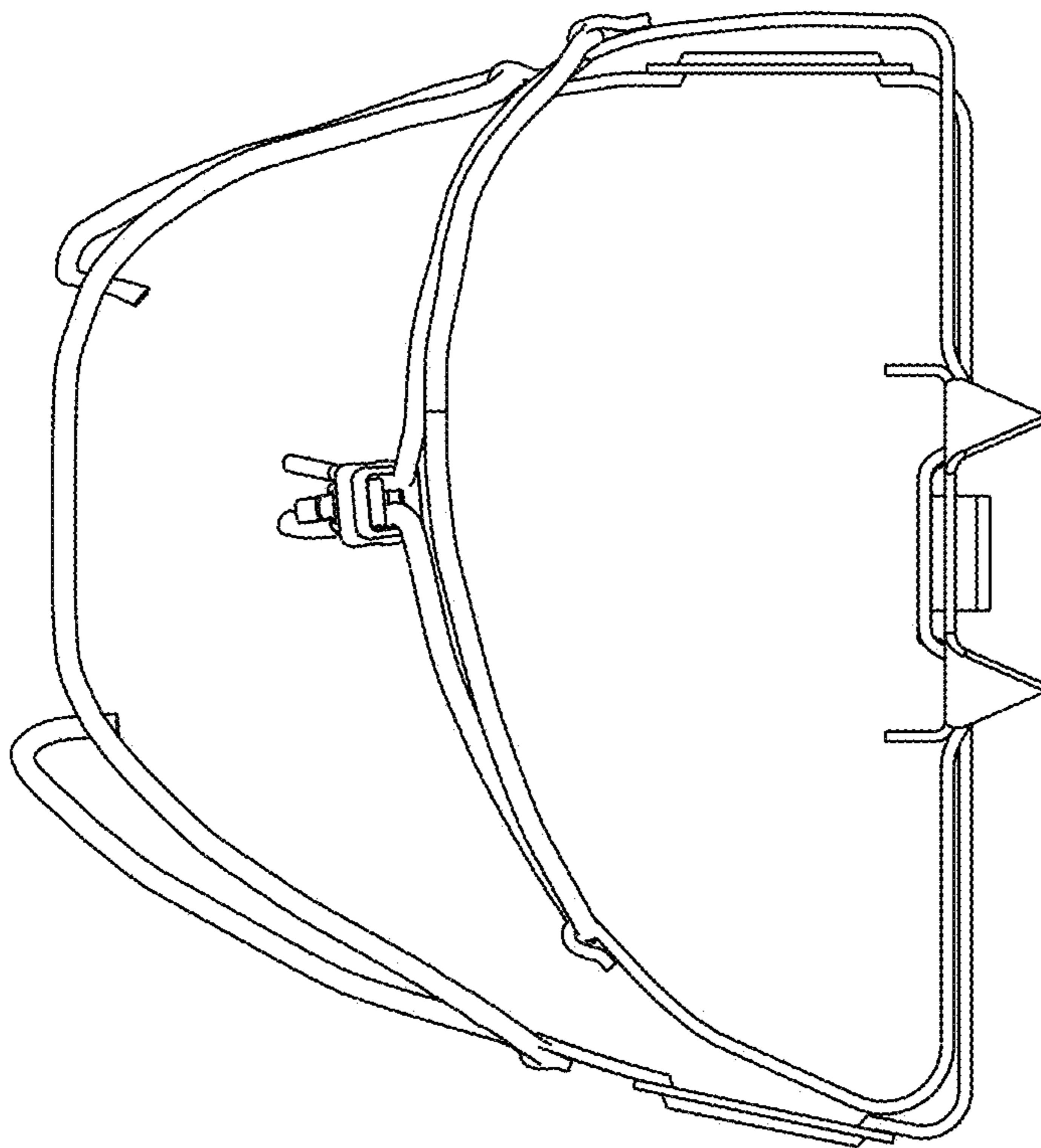


Figure 6

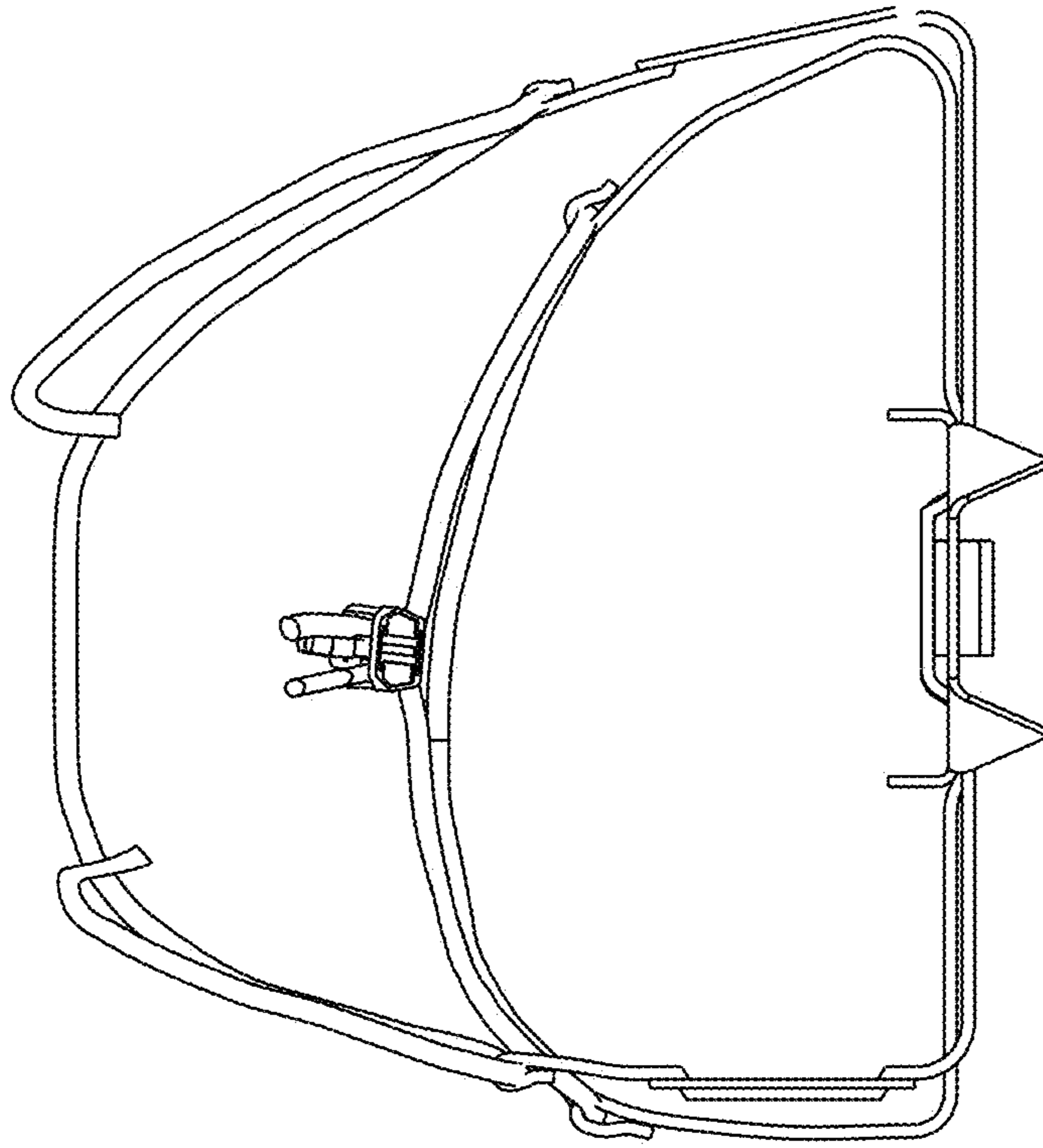


Figure 7

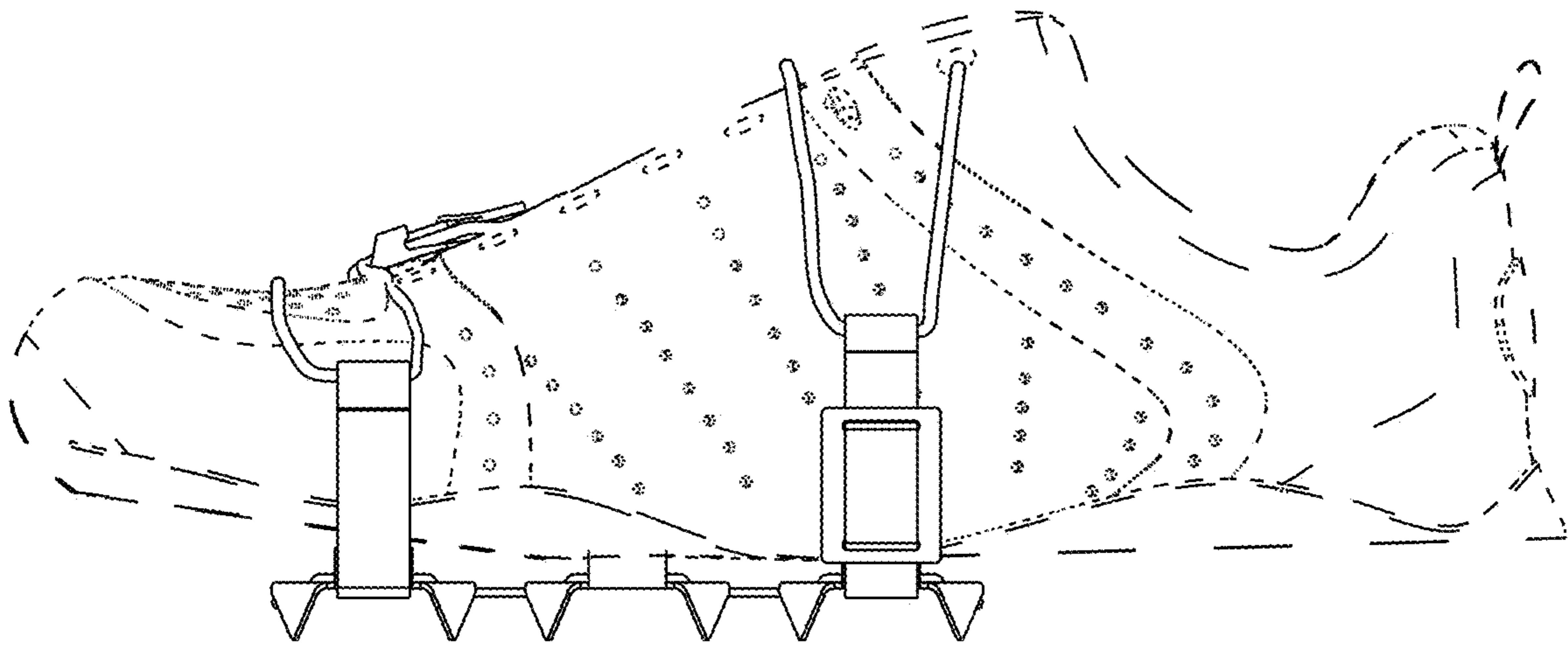


Figure 8

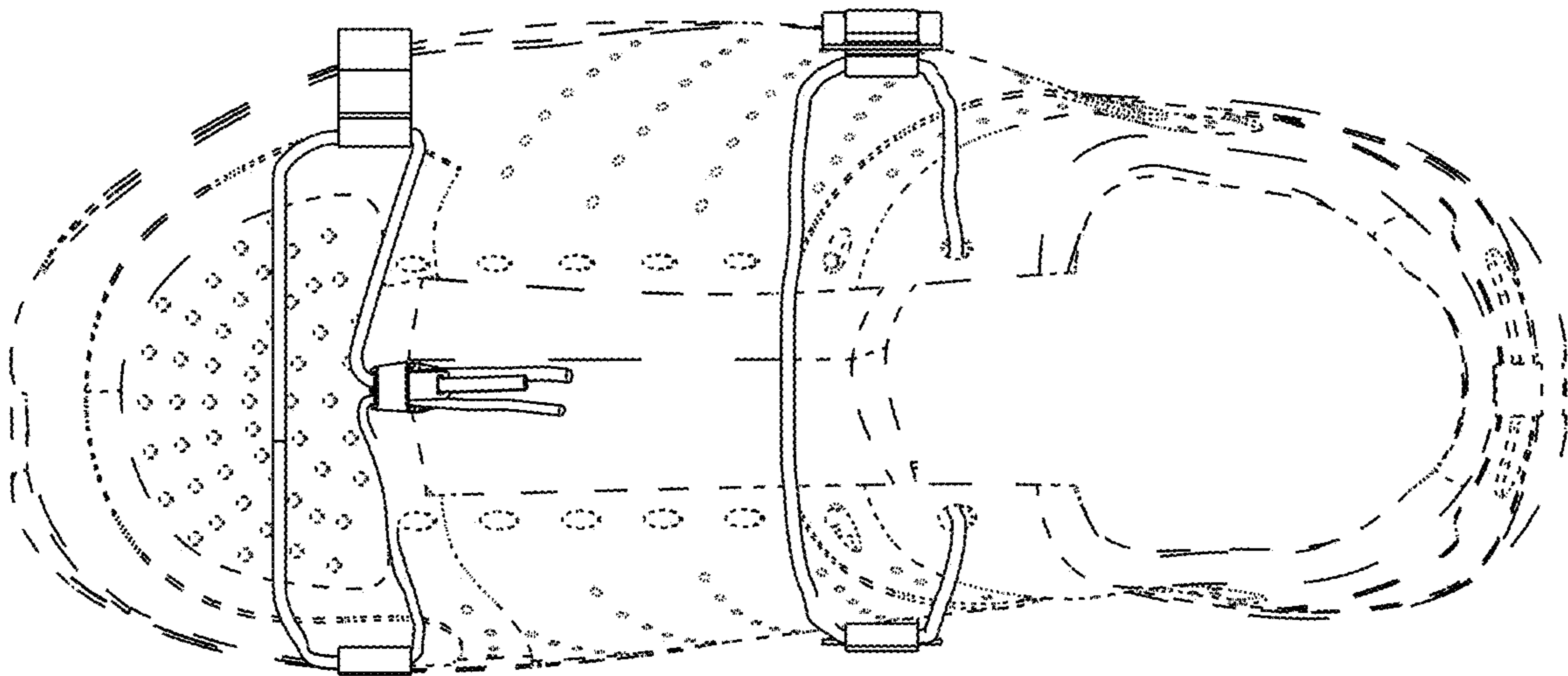


Figure 9

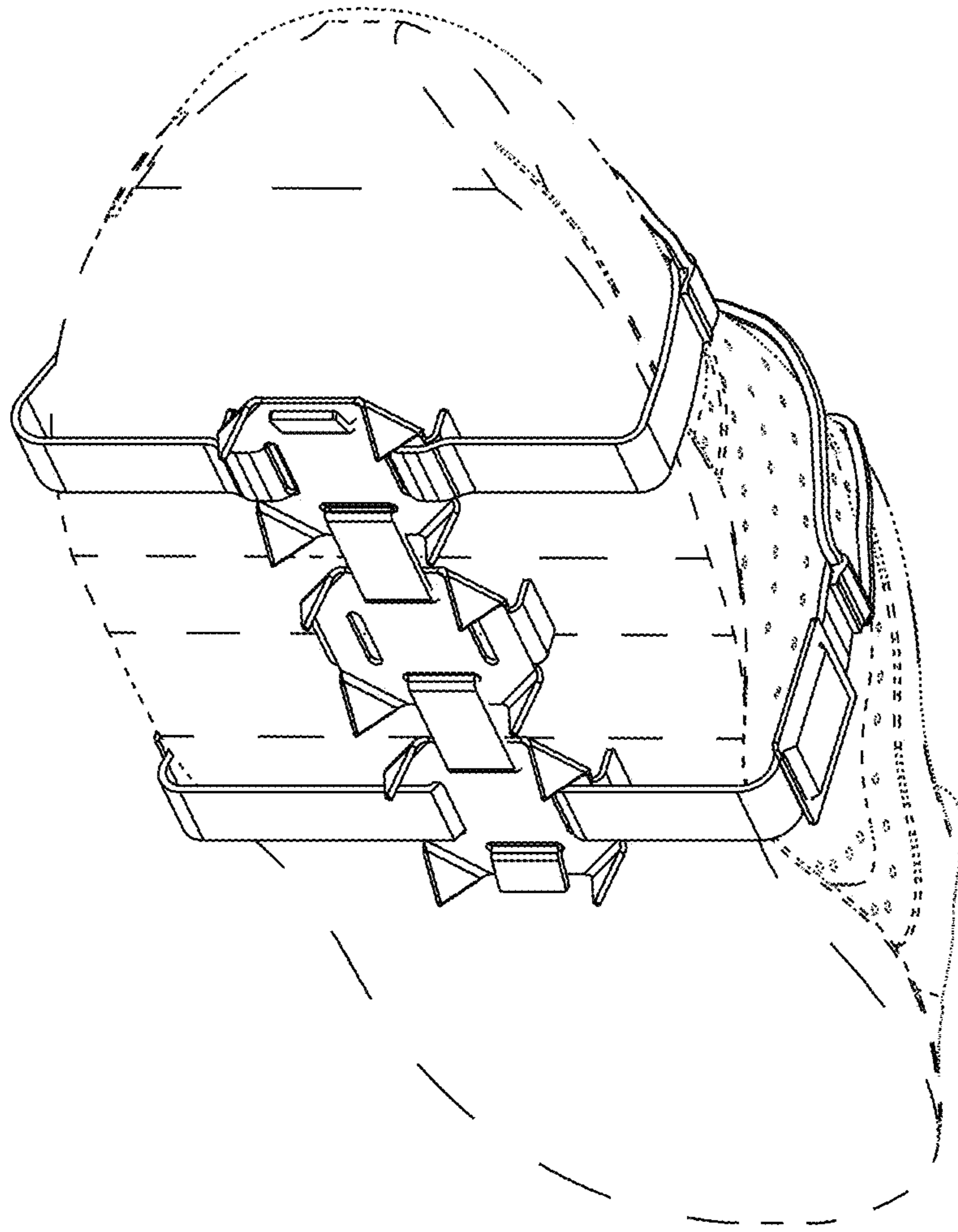


Figure 10