



US00D871718S

(12) **United States Design Patent**
Pan

(10) **Patent No.:** **US D871,718 S**

(45) **Date of Patent:** **** Jan. 7, 2020**

(54) **BRASSIERE FOR NURSING WOMEN**

(71) Applicant: **Silin Pan**, Shenzhen (CN)

(72) Inventor: **Silin Pan**, Shenzhen (CN)

(**) Term: **15 Years**

(21) Appl. No.: **29/653,477**

(22) Filed: **Jun. 15, 2018**

(51) **LOC (12) Cl.** **02-02**

(52) **U.S. Cl.**
USPC **D2/706**

(58) **Field of Classification Search**
USPC D2/706-709; 450/1, 36
CPC A41C 3/00; A41C 3/02; A41C 3/04
See application file for complete search history.

(56) **References Cited**

U.S. PATENT DOCUMENTS

D277,329 S *	1/1985	Taniyama	D2/708
D550,368 S *	9/2007	Hankins	D2/706
D724,817 S *	3/2015	Randall	D2/708
D733,402 S *	7/2015	Eutsey	D2/708
D835,884 S *	12/2018	Alligood	D2/708
2015/0264982 A1 *	9/2015	Randall	A41C 3/0057
				450/52
2019/0261698 A1 *	8/2019	Akerson	A41C 3/04

OTHER PUBLICATIONS

Tire Laits Bustier, posted as early as Jun. 2018 [online], [retrieved Sep. 25, 2019] <https://www.amazon.fr/Soutien-Gorge-Maternit%C3%A9-Allaitement-Brassi%C3%A8re-Mallalah/dp/B07G73Z4GK/>

ref=cm_cr_arp_d_product_top?ie=UTF8#customerReviews (Year: 2018).*

* cited by examiner

Primary Examiner — Barbara Fox
Assistant Examiner — J. Thorn, Sr.
(74) *Attorney, Agent, or Firm* — Law Offices of Steven W. Weinrieb

(57) **CLAIM**

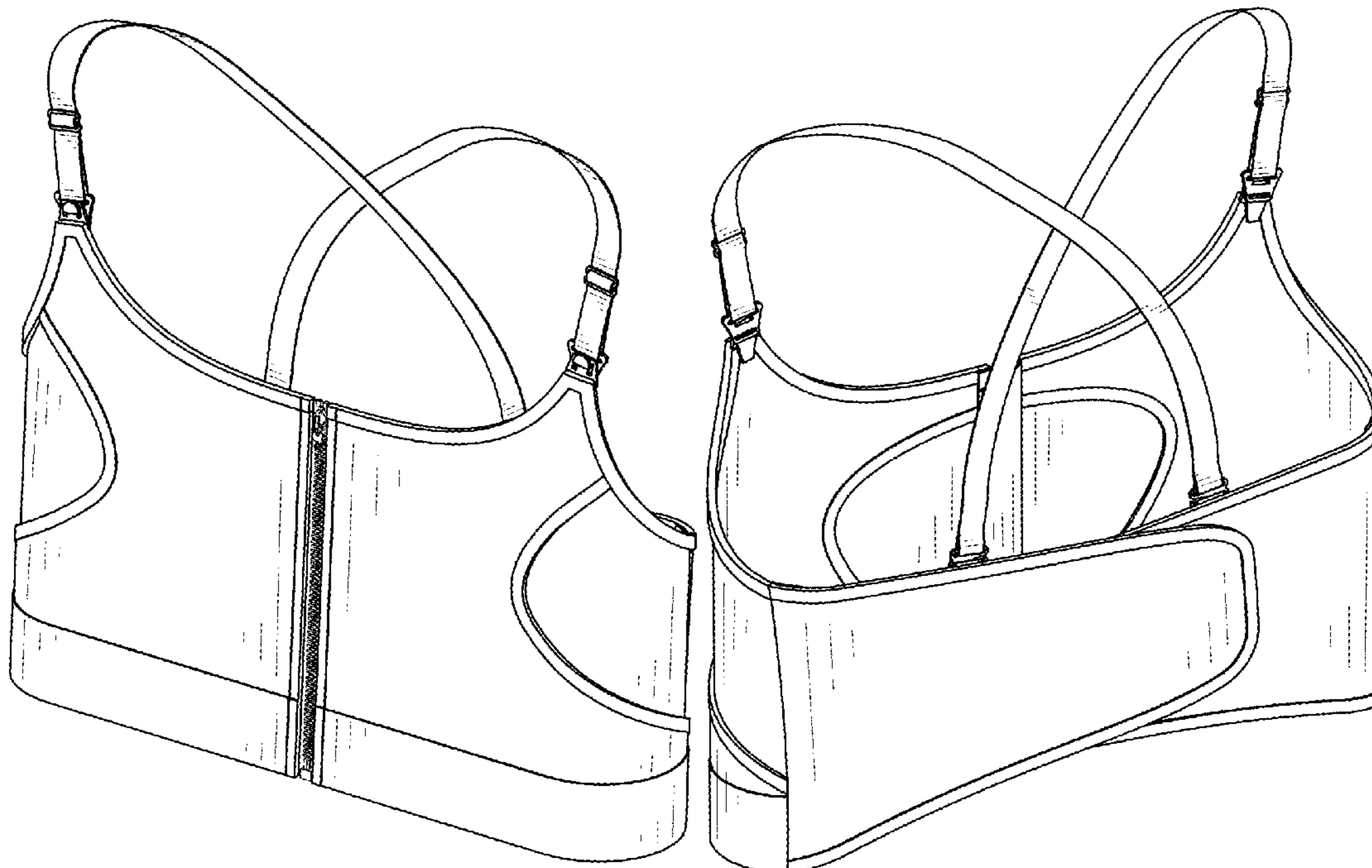
The ornamental design for a brassiere for nursing women, as shown and described.

DESCRIPTION

FIG. 1 is a front, left side, top perspective view of a brassiere for nursing women showing my new design; FIG. 2 is a rear, right side, top perspective view thereof; FIG. 3 is a front elevational view thereof; FIG. 4 is a rear elevational view thereof; FIG. 5 is a left side elevational view thereof; FIG. 6 is a right, side elevational view thereof; FIG. 7 is a top plan view thereof; FIG. 8 is a bottom plan view thereof; FIG. 9 is a front elevational view thereof with the brassiere disposed at its fully opened position; FIG. 10 is a rear elevational view thereof with the brassiere disposed at its fully opened position; FIG. 11 is a front elevational view thereof as the brassiere would be worn by a woman; and, FIG. 12 is a front elevational view thereof as the brassiere would be worn by a woman and wherein breast pumps could be accommodated therein.

The broken lines in the drawings depict portions of the brassiere for nursing women and environment that form no part of the claimed design.

1 Claim, 12 Drawing Sheets



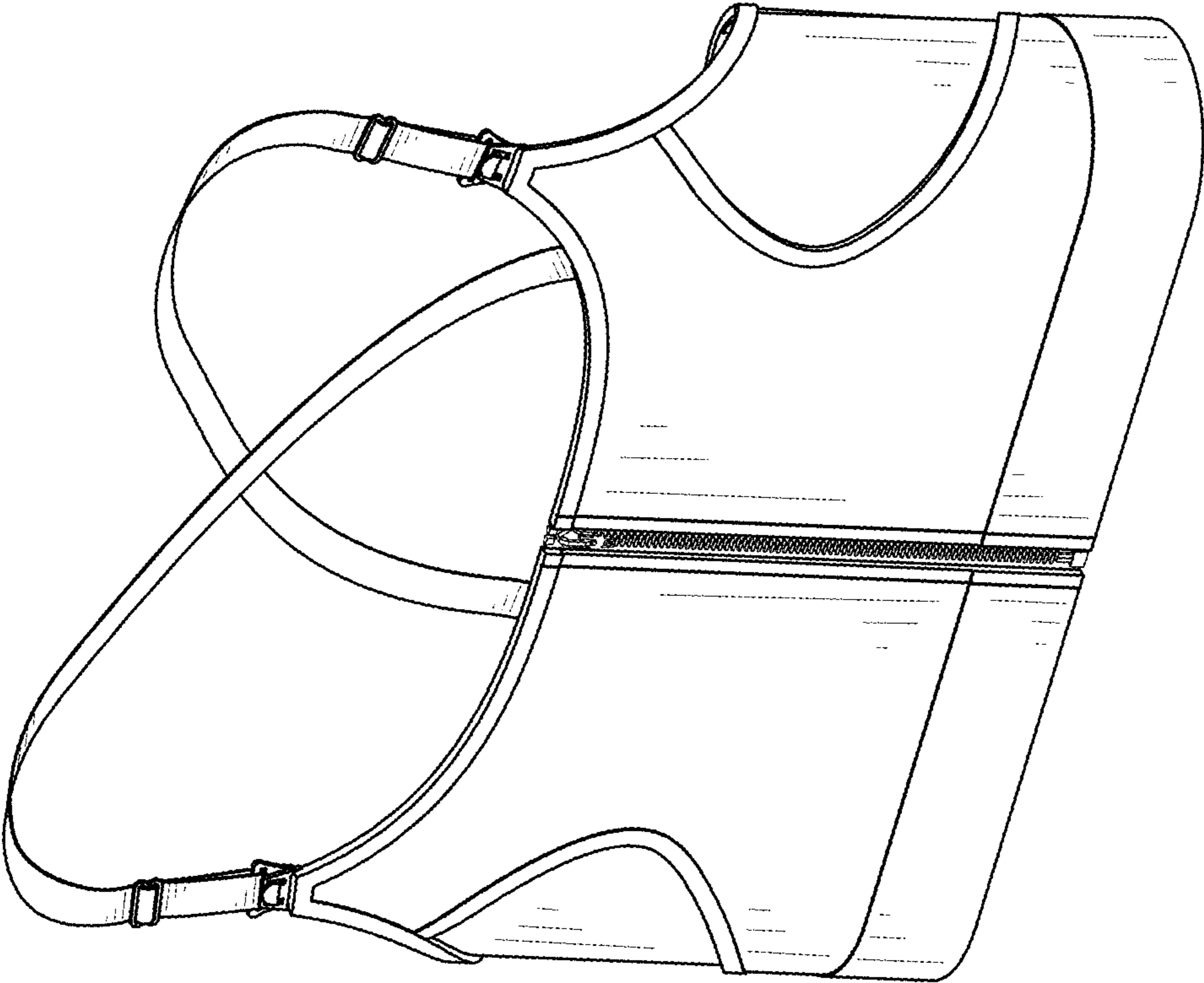


FIG. 1

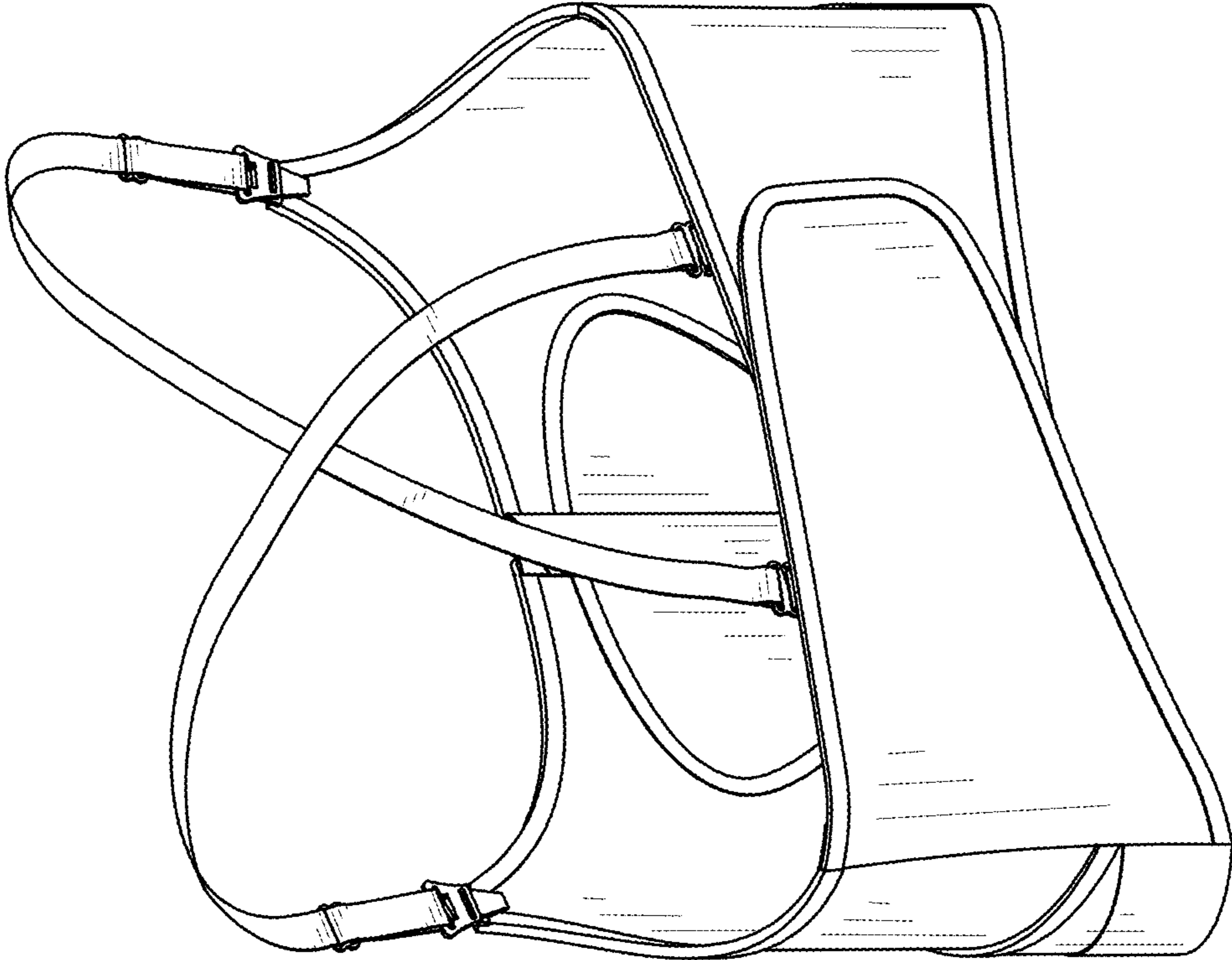


FIG. 2

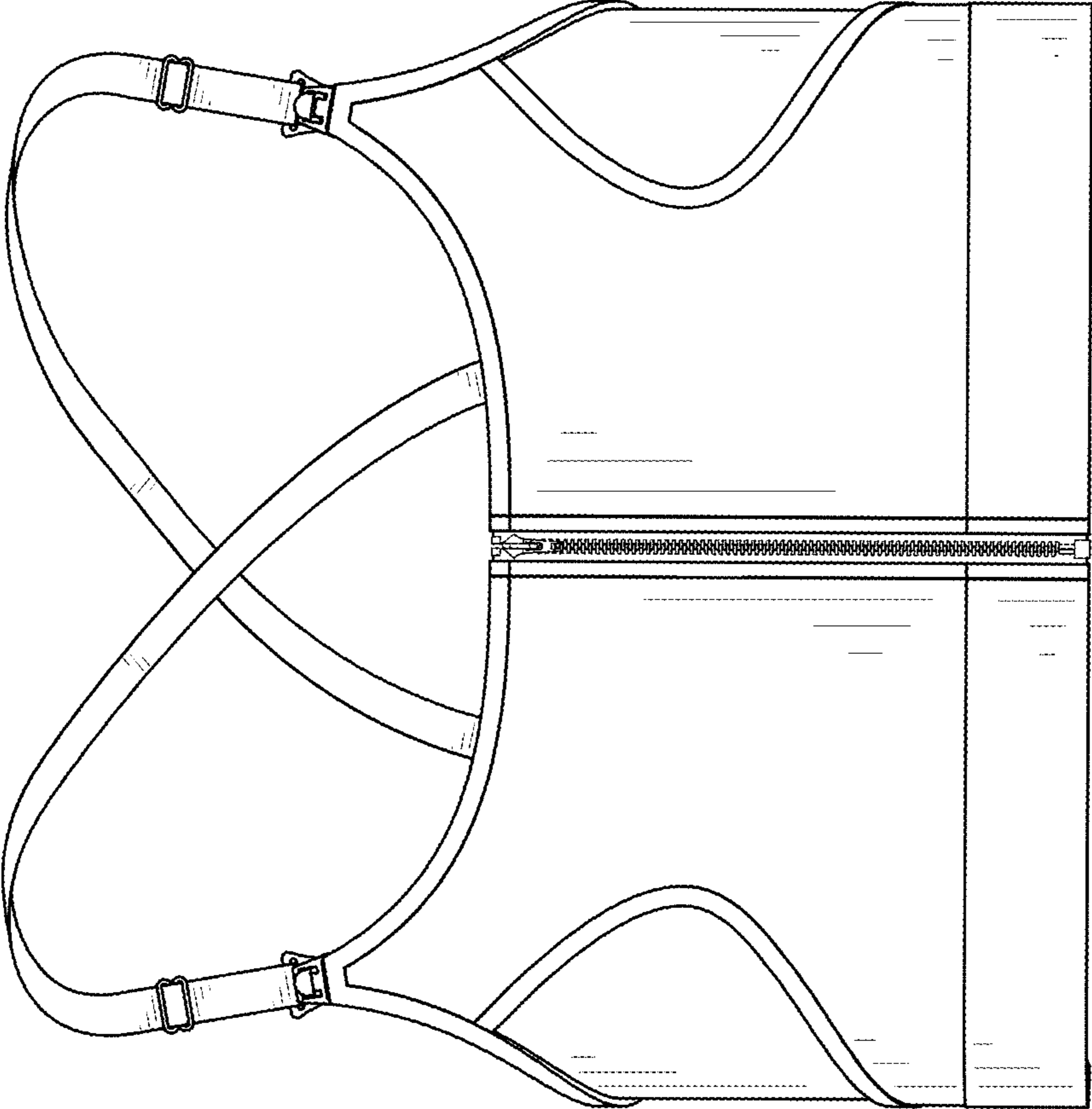


FIG. 3

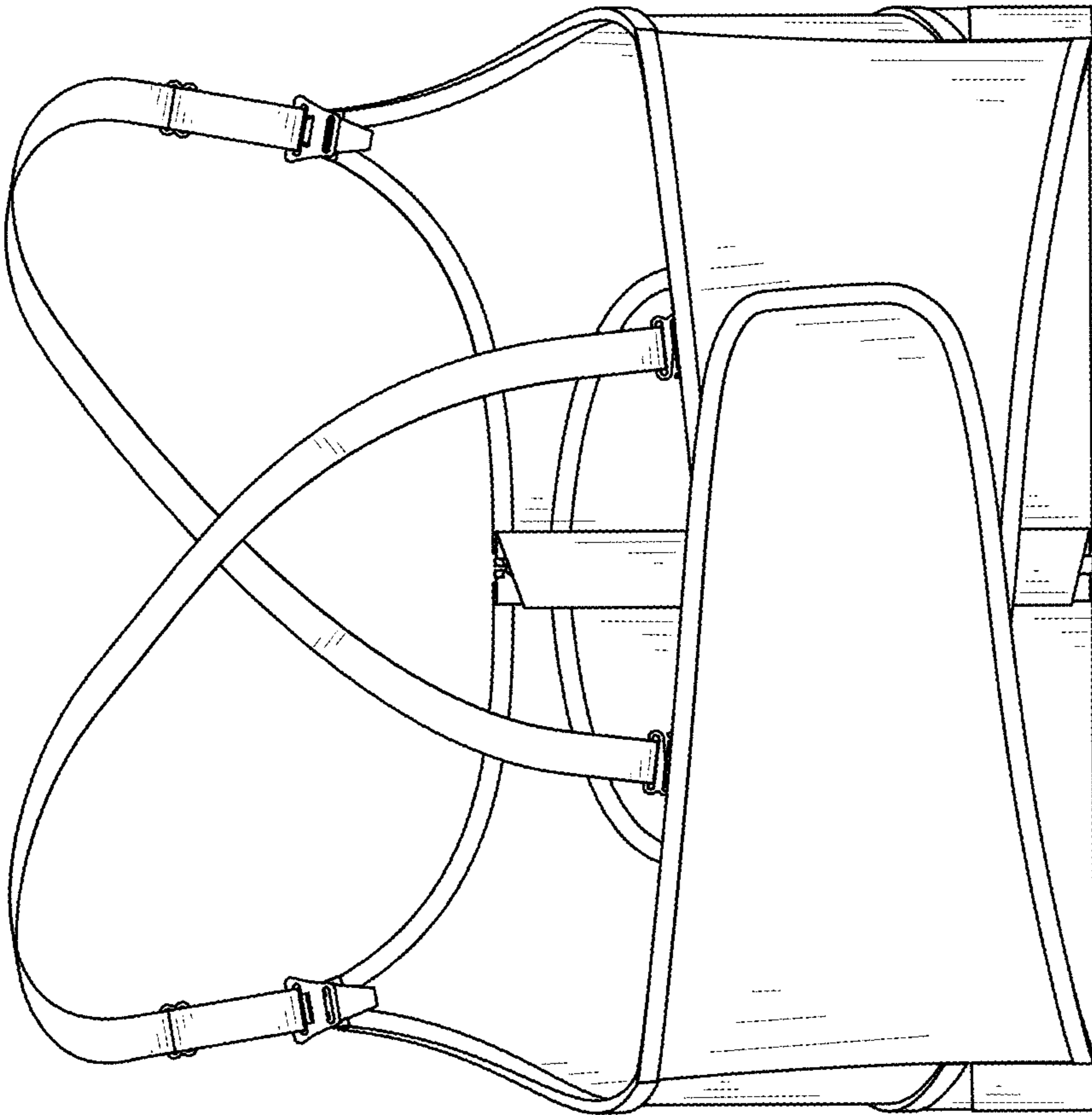


FIG. 4

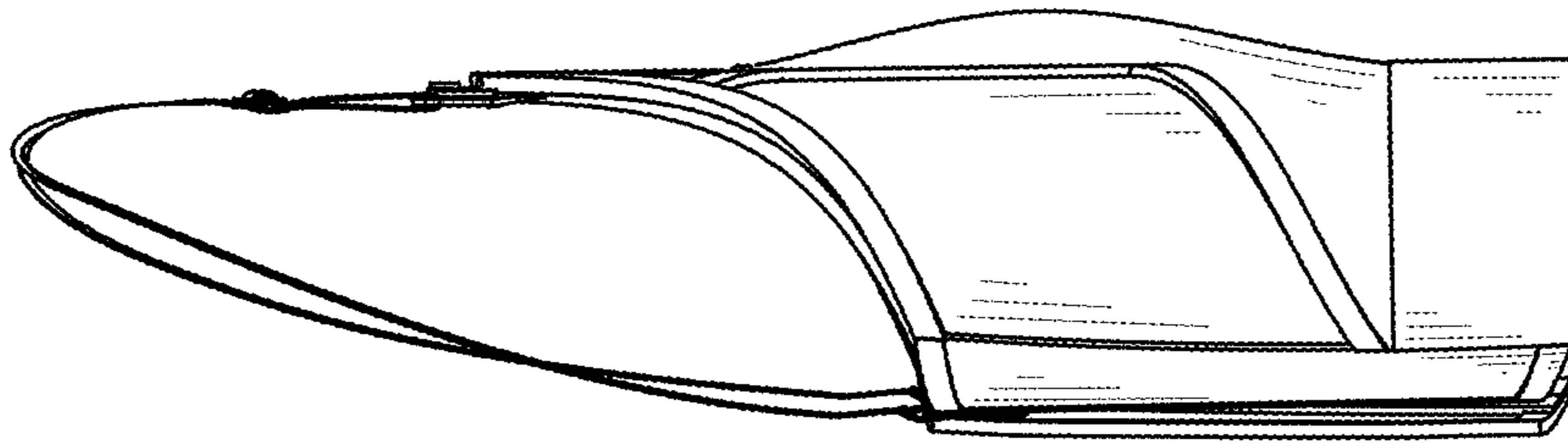


FIG. 5

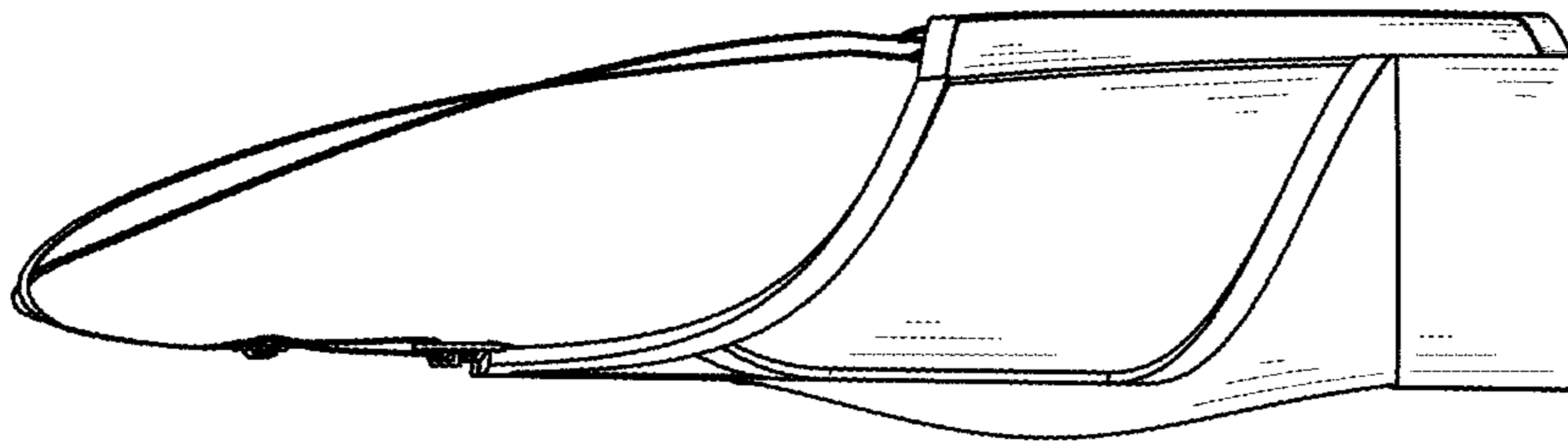


FIG. 6

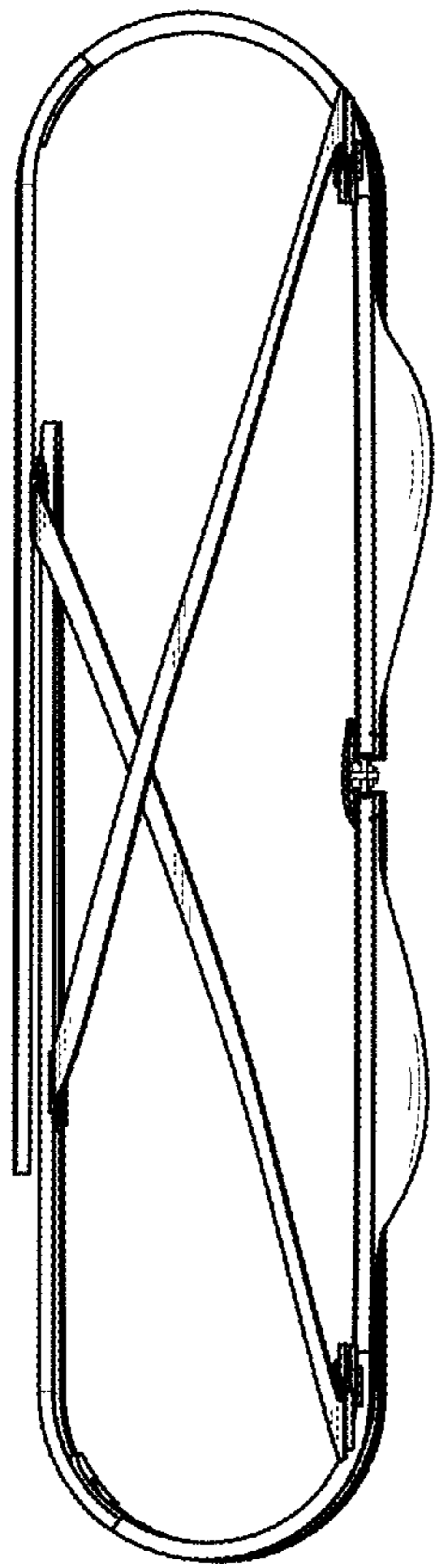


FIG. 7

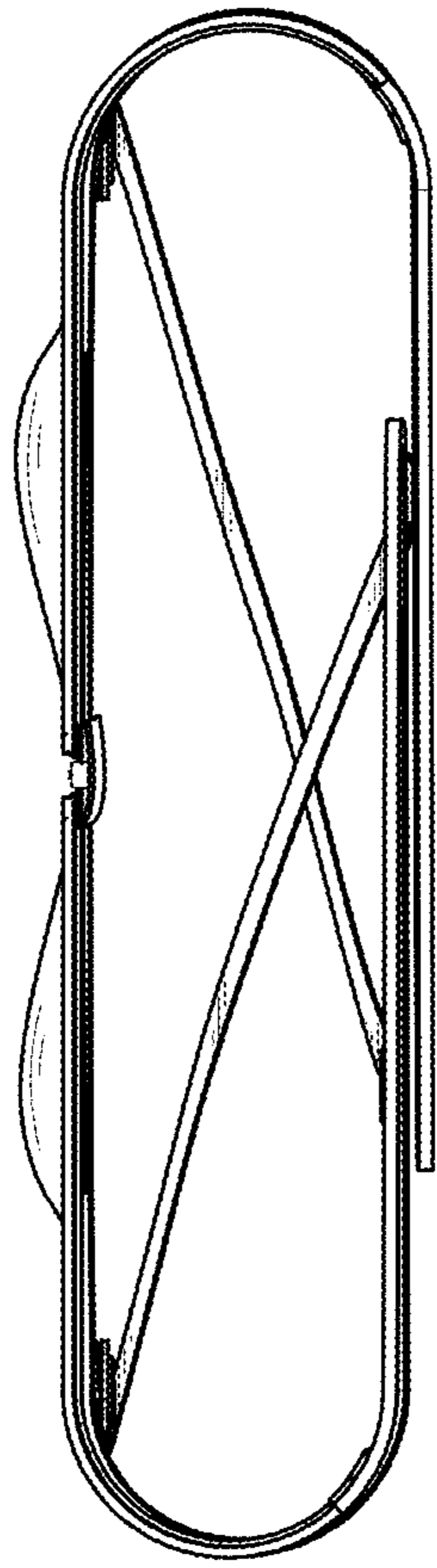


FIG. 8

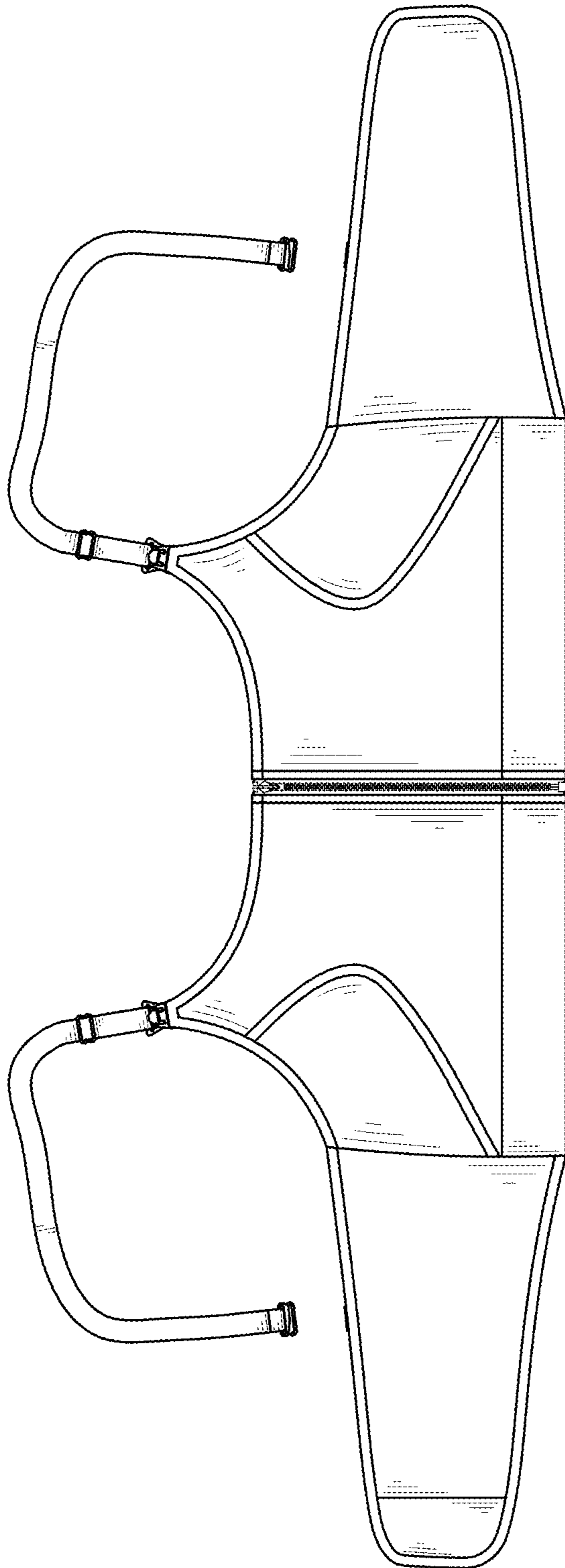


FIG. 9

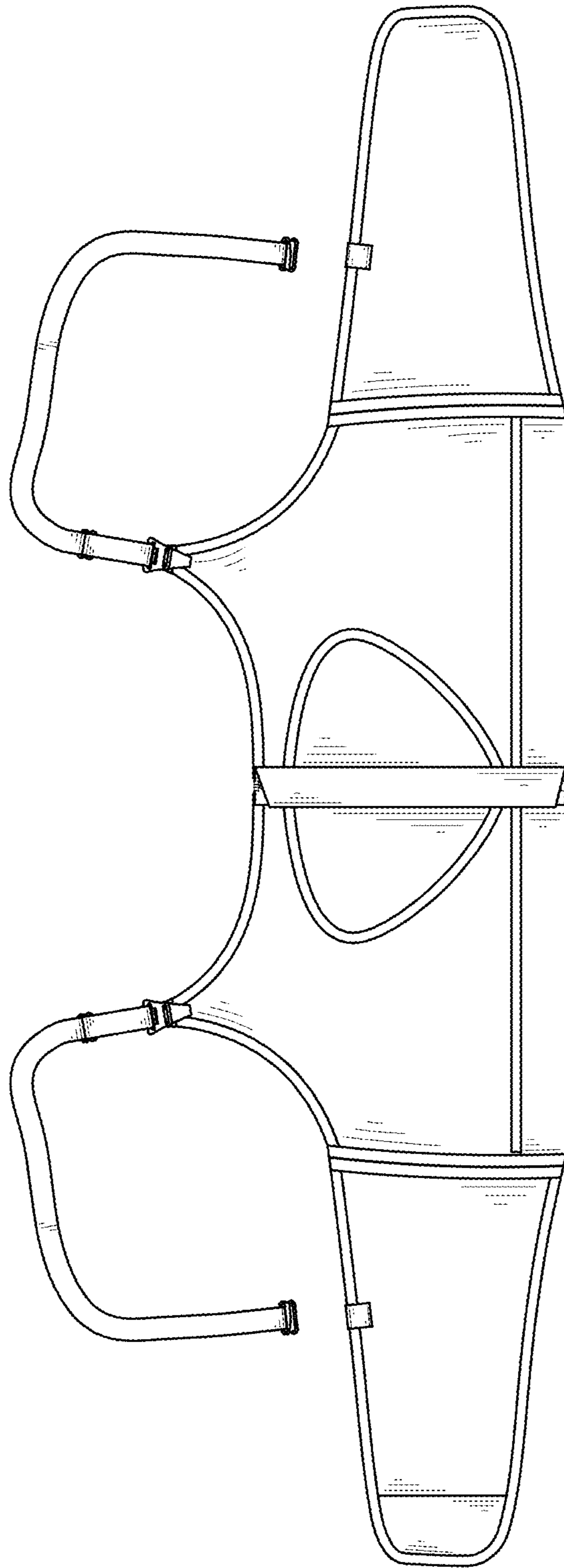


FIG. 10

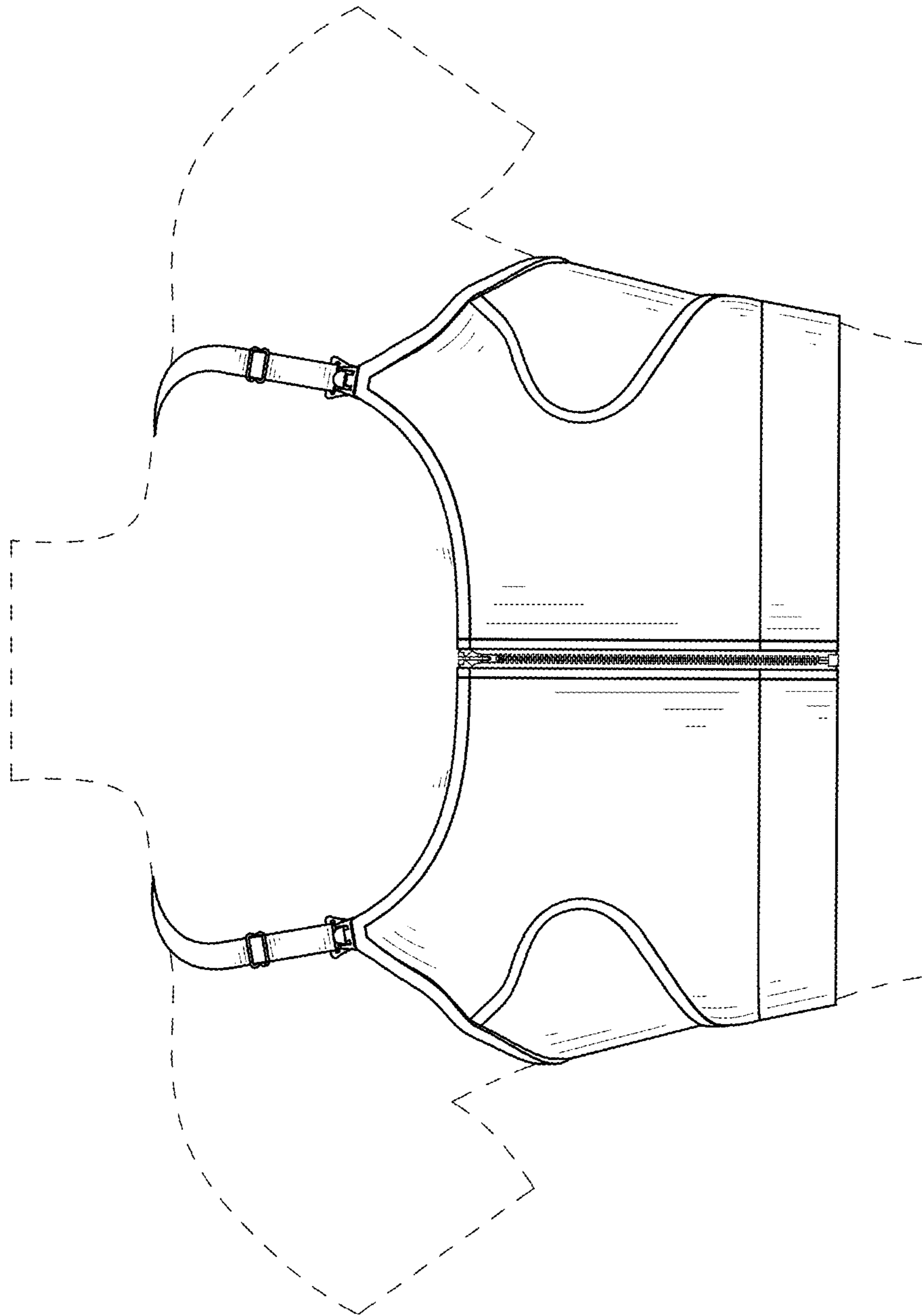


FIG. 11

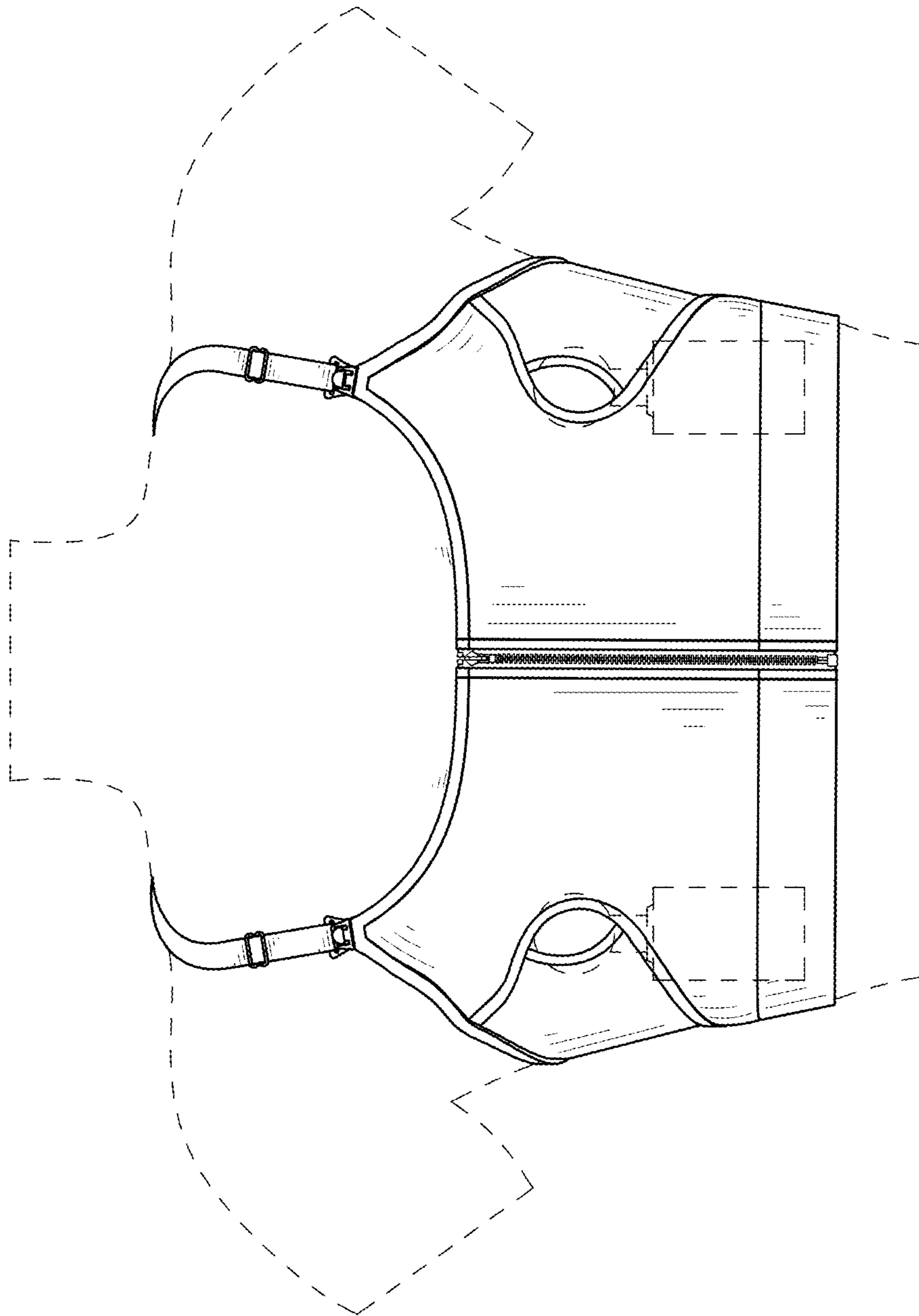


FIG. 12