



US00D871717S

(12) **United States Design Patent** (10) **Patent No.:** **US D871,717 S**
Dycus (45) **Date of Patent:** **** Jan. 7, 2020**

(54) **SCARF**
(71) Applicant: **Paula K. Dycus**, Corsicana, TX (US)
(72) Inventor: **Paula K. Dycus**, Corsicana, TX (US)
(**) Term: **15 Years**
(21) Appl. No.: **29/563,392**
(22) Filed: **May 4, 2016**
(51) **LOC (12) Cl.** **02-05**
(52) **U.S. Cl.**
USPC **D2/502**
(58) **Field of Classification Search**
USPC D2/500, 501, 502, 503, 504, 505, 506,
D2/507, 508, 600, 602, 603, 604, 605,
D2/606, 607, 608, 609, 610, 614, 615,
D2/617, 622, 627, 628, 629, 631, 632;
2/59, 91, 92, 123, 124, 125, 158, 159,
2/162, 170, 207, 208, 144, 145, 146, 147,
2/148, 149, 150, 151, 152.1, 153, 154,
2/155, 156, 157
CPC A47G 25/90; A41D 1/00; A41D 23/00;
A42B 5/00
See application file for complete search history.

(56) **References Cited**
U.S. PATENT DOCUMENTS
D556,331 S * 11/2007 Moore D2/600
D596,439 S * 7/2009 Hall D6/596
D670,887 S * 11/2012 Lewis D2/502
8,468,612 B1 * 6/2013 Galloway A41D 23/00
2/207
D685,484 S * 7/2013 Brambilla D24/190
D698,117 S * 1/2014 King D2/502
D726,391 S * 4/2015 Clark D2/502
D765,201 S * 8/2016 Gibson D21/803
D768,639 S * 10/2016 Sumii D14/447
D825,135 S * 8/2018 Malaniak D2/502

2005/0039242 A1* 2/2005 Edmondson A41D 23/00
2/207
2010/0098900 A1* 4/2010 Draghici A47G 23/0241
428/80
2010/0257658 A1* 10/2010 Schwietz-Flauto A41D 23/00
2/207
2010/0325776 A1* 12/2010 Korver A41D 19/0041
2/158
2011/0055999 A1* 3/2011 Su A41D 23/00
2/207
2011/0197339 A1* 8/2011 Warren A41D 13/1161
2/173
2011/0197340 A1* 8/2011 Kummerfeldt A41D 13/1107
2/207
2012/0066812 A1* 3/2012 Alzate A41D 23/00
2/159

(Continued)

Primary Examiner — Ian Simmons
Assistant Examiner — Yolanda Robinson
(74) *Attorney, Agent, or Firm* — Mitchell Law PLLC;
Matthew W. Mitchell

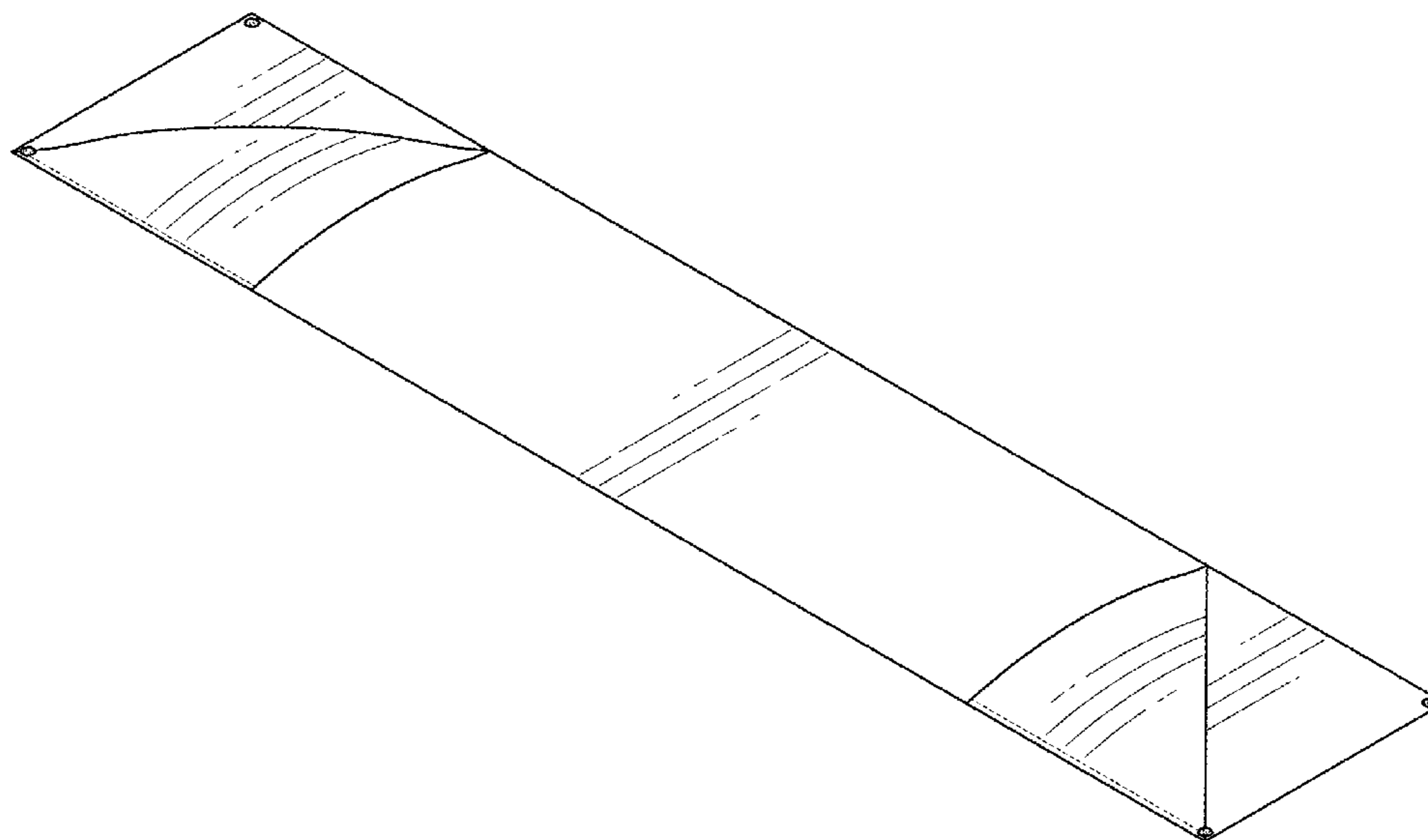
(57) **CLAIM**

The ornamental design for a scarf, as shown and described.

DESCRIPTION

FIG. 1 is a back perspective view of the scarf of the present invention;
FIG. 2 is a back view of the invention of FIG. 1;
FIG. 3 is a top view of the invention of FIG. 1;
FIG. 4 is a front view of the invention of FIG. 1;
FIG. 5 is a rear view of the invention of FIG. 1;
FIG. 6 is a side view of the invention of FIG. 1, as seen from the left side of FIG. 4; and,
FIG. 7 is a side view of the invention of FIG. 1, as seen from the right side of FIG. 4.
The broken lines represent stitching while the stippled circular portions represent loop and hook mechanical fasteners, each part of the claimed design.

1 Claim, 3 Drawing Sheets



(56)

References Cited

U.S. PATENT DOCUMENTS

2012/0079644	A1 *	4/2012	Benderradji	A41D 23/00 2/207
2012/0204323	A1 *	8/2012	Park	A41D 23/00 2/202
2012/0324624	A1 *	12/2012	Day	A41D 23/00 2/202
2013/0061370	A1 *	3/2013	Ezell	A41D 23/00 2/207
2013/0227761	A1 *	9/2013	Hoskins	A41D 23/00 2/207
2013/0233843	A1 *	9/2013	Hoberty	A41D 23/00 219/211
2014/0026292	A1 *	1/2014	Wosu	A41D 23/00 2/207
2015/0052661	A1 *	2/2015	Poznick	A42B 1/048 2/202
2015/0245671	A1 *	9/2015	Taul	A41D 23/00 2/461
2015/0289577	A1 *	10/2015	Roffe	A41D 23/00 2/207

* cited by examiner

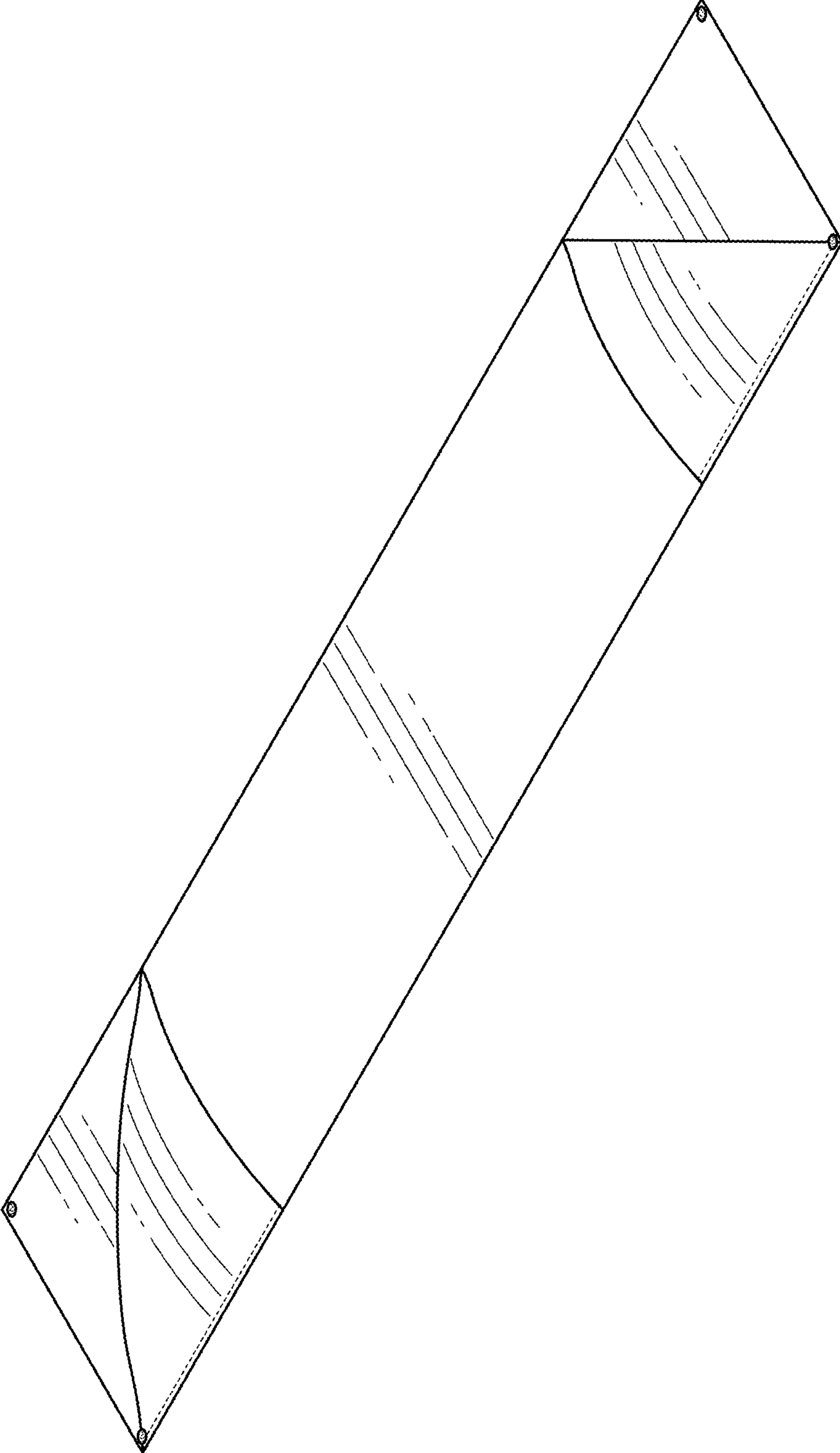


FIG. 1

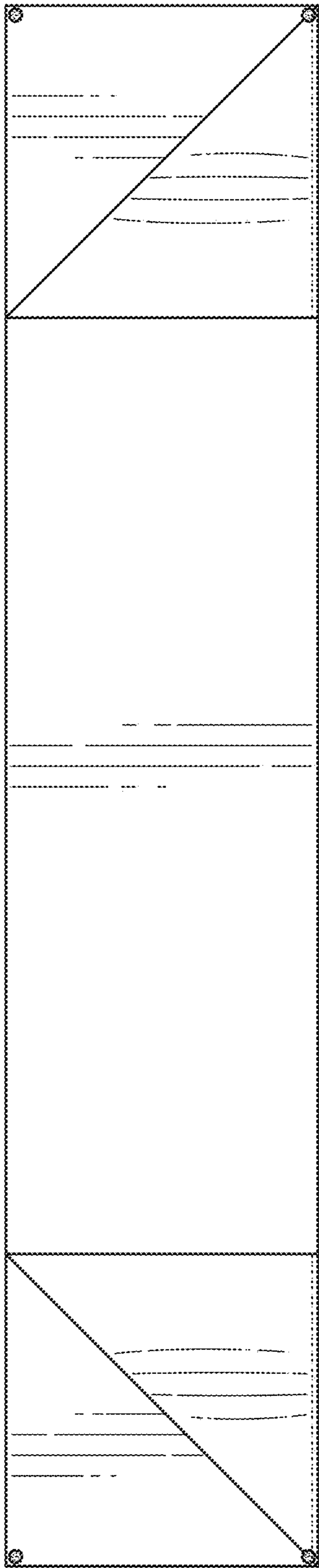


FIG. 2

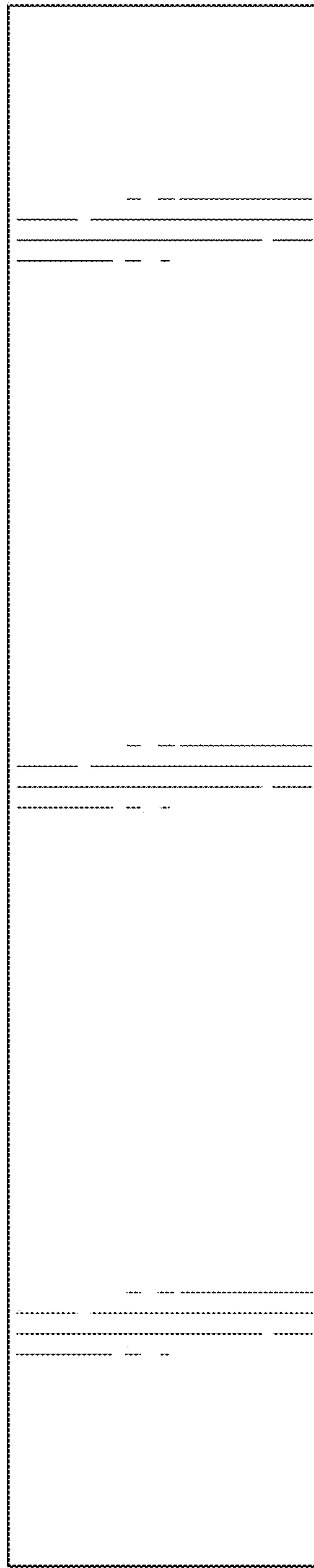


FIG. 3



FIG. 4



FIG. 5



FIG. 6

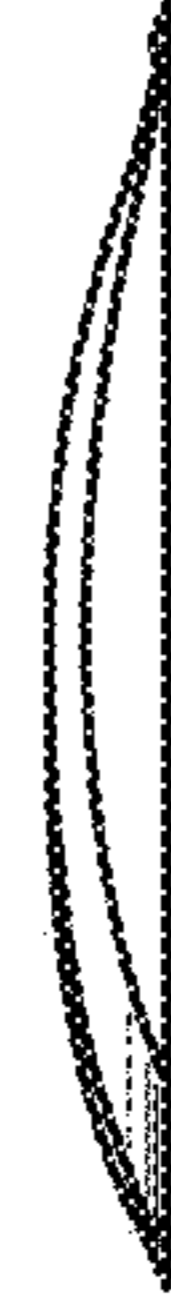


FIG. 7