



US00D871715S

(12) **United States Design Patent** (10) **Patent No.:** **US D871,715 S**
Massie (45) **Date of Patent:** **** Dec. 31, 2019**

- (54) **ELECTRIFIED PIGGY BANK**
- (71) Applicant: **The Northwestern Mutual Life Insurance Company**, Milwaukee, WI (US)
- (72) Inventor: **Michael A. Massie**, Milwaukee, WI (US)
- (73) Assignee: **The Northwestern Mutual Life Insurance Company**, Milwaukee, WI (US)
- (**) Term: **15 Years**
- (21) Appl. No.: **29/611,766**
- (22) Filed: **Jul. 25, 2017**
- (51) **LOC (12) Cl.** **99-00**
- (52) **U.S. Cl.**
USPC **D99/40**
- (58) **Field of Classification Search**
USPC D99/28, 34, 35, 36, 37, 38, 40, 43, 99;
D21/324, 654; D9/601, 607; D11/131,
D11/157, 158
CPC . A45C 1/12; A45C 2001/006; A45C 2001/10;
A45C 2001/02; A45C 2001/104; A45C
2001/105; A45C 2001/107; A45C
2001/12; A45C 2001/125; E05G 1/00;
E05G 1/005; E05G 1/024; E05G 5/00;
E05G 7/001; E05G 2700/00; E05G
2700/02; A63F 2250/13; A63F 2250/133;
A63F 2250/136; A63H 3/00; A63H
23/10; A63H 3/06; G07F 9/06; G07F
9/08; G07F 9/04; G07D 11/00; G07D
11/0009; G07D 11/0021; G07D 9/00;
G07D 9/002; G07D 9/004; G07D 9/02;
G07D 9/06

See application file for complete search history.

- (56) **References Cited**
U.S. PATENT DOCUMENTS
- 2,304,415 A * 12/1942 Lawson, Sr. G07F 17/105
446/188
- D135,267 S * 3/1943 Lamb D21/654
- D139,366 S * 11/1944 Ayers D99/40
- D145,668 S * 10/1946 Kearney D27/188
- D150,896 S * 9/1948 Stovner 428/16
- D153,775 S * 5/1949 Dubiner D99/40
- D169,309 S * 4/1953 Fuller 232/4 R
- D176,104 S * 11/1955 Brooks D99/40
- 2,779,128 A * 1/1957 West A45C 1/12
232/4 R
- 2,804,718 A * 9/1957 Follis A45C 1/12
232/4 R
- D193,996 S * 11/1962 Craighead D99/40
- D196,023 S * 8/1963 Rothgart D21/654
- D216,139 S * 11/1969 Tavela D21/576
- D221,006 S * 6/1971 Tavela D99/40
- D267,283 S 12/1982 Nagode
- D291,939 S * 9/1987 Bennett D21/654
- D303,035 S * 8/1989 O'Dunlaing D99/40

(Continued)

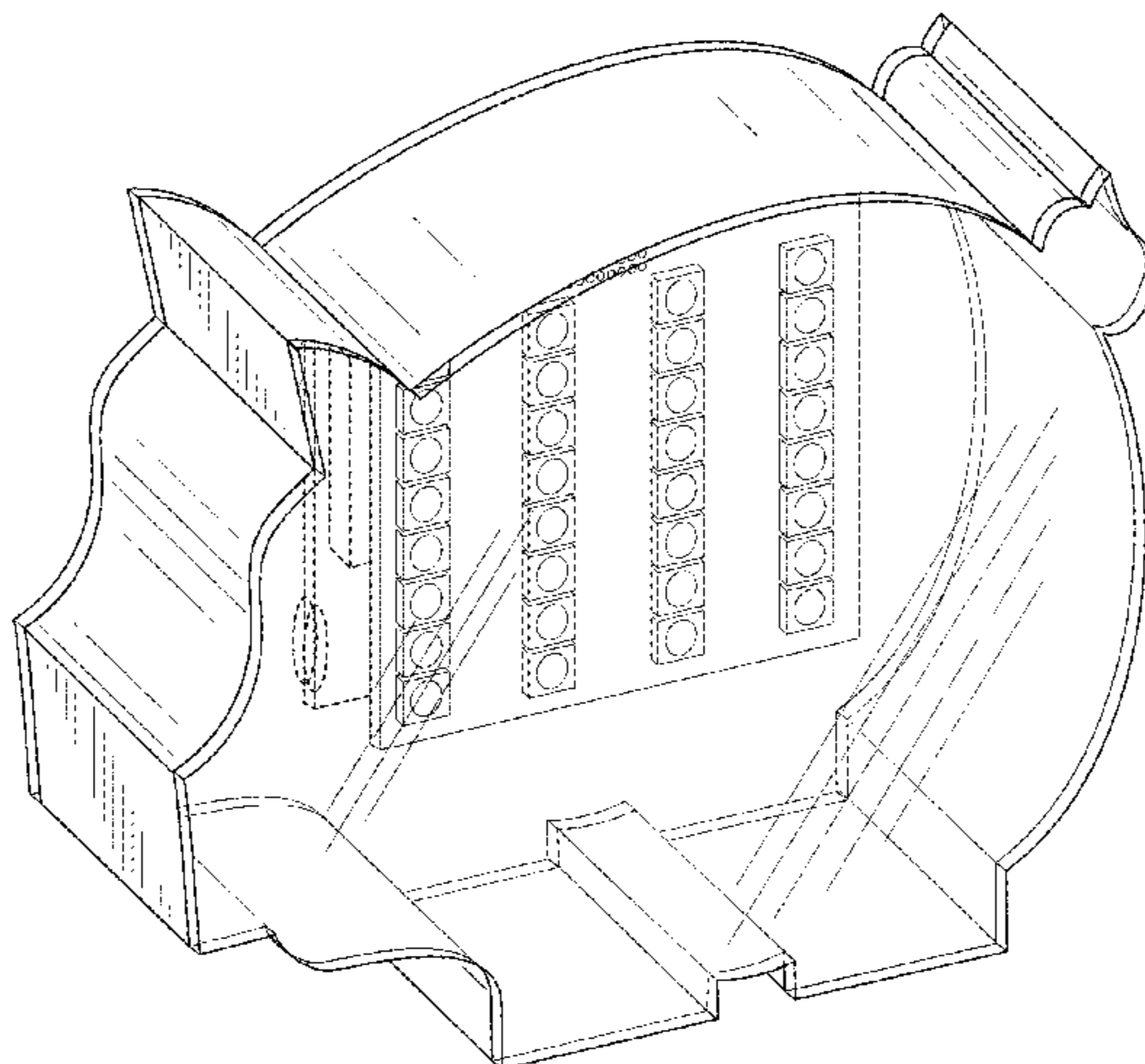
Primary Examiner — Elizabeth J Oswecki
(74) *Attorney, Agent, or Firm* — Foley & Lardner LLP

(57) **CLAIM**
The ornamental design for an electrified piggy bank, as shown and described.

DESCRIPTION

FIG. 1 is a front, right, perspective view of an electrified piggy bank showing my new design;
FIG. 2 is a front elevation view thereof;
FIG. 3 is a rear elevation view thereof;
FIG. 4 is a right side elevation view thereof;
FIG. 5 is a left side elevation view thereof;
FIG. 6 is a top plan view thereof; and,
FIG. 7 is a bottom plan view thereof.

(Continued)



The broken lines shown in the drawings represent portions of the electrified piggy bank that form no part of the claimed design.

1 Claim, 5 Drawing Sheets

(56)

References Cited

U.S. PATENT DOCUMENTS

5,135,434 A * 8/1992 Mallon A45C 1/12
194/334
6,039,213 A * 3/2000 Sloan B65D 47/243
222/192
D458,727 S 6/2002 Beacham
D503,505 S 3/2005 Beacham
D512,805 S 12/2005 Anderson
6,976,619 B2 12/2005 Beacham et al.
D548,331 S * 8/2007 Tseng D24/110
D549,925 S * 8/2007 Gossett D99/40
D565,274 S 3/2008 Pickering et al.
D565,275 S 3/2008 Shields
7,383,980 B1 6/2008 Beacham
D579,175 S 10/2008 Pickering et al.
7,500,595 B1 3/2009 Beacham
D592,624 S * 5/2009 Chen D14/129
D616,526 S * 5/2010 Ryan D21/654
D629,175 S * 12/2010 McMaster D21/654
D631,785 S * 2/2011 Palmer D11/158
D643,995 S * 8/2011 McMaster D21/654
D655,794 S * 3/2012 Hall D11/158
D789,023 S * 6/2017 Kawlath D99/40
2017/0055655 A1 3/2017 Meyers et al.

* cited by examiner

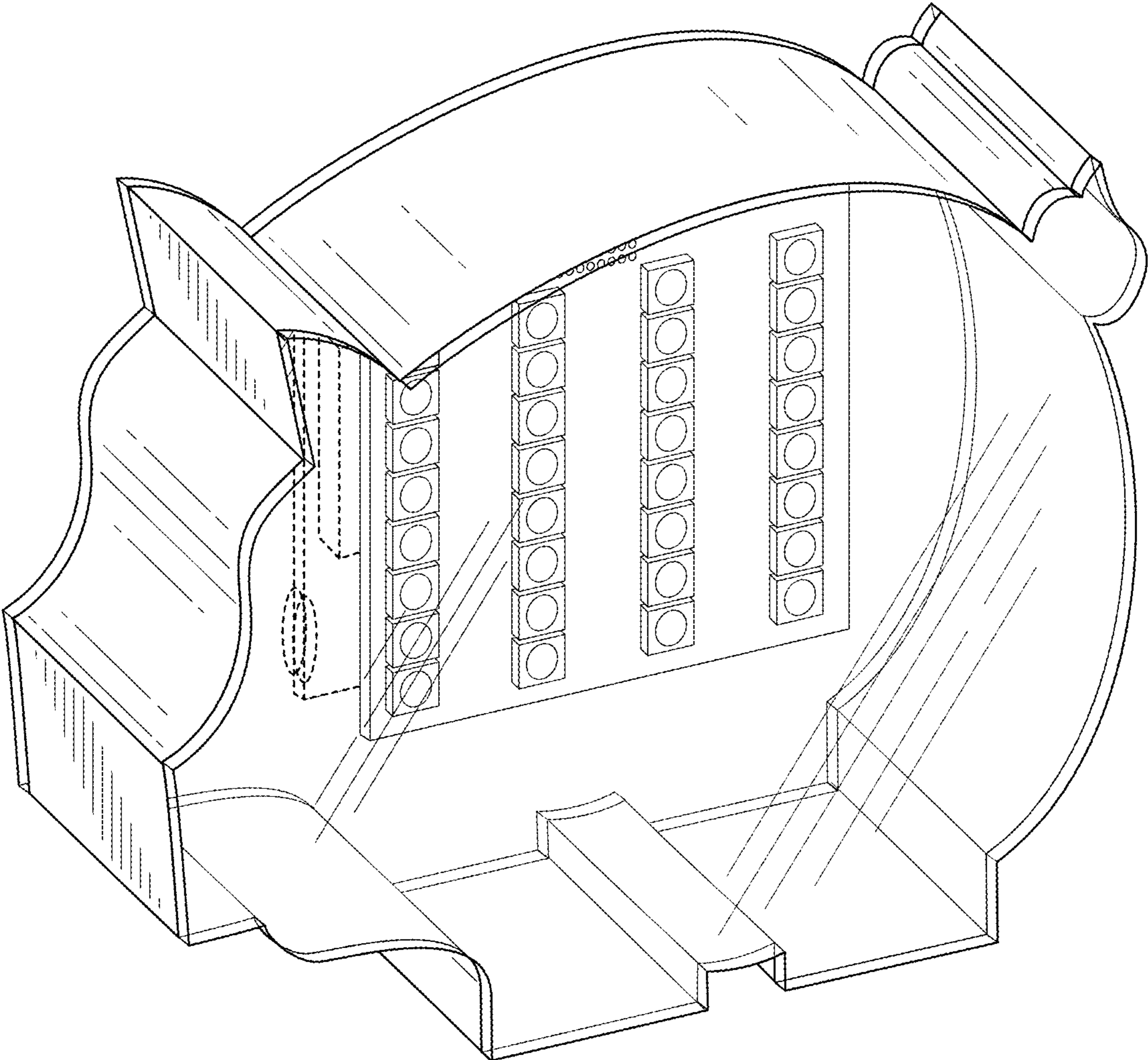


FIG. 1

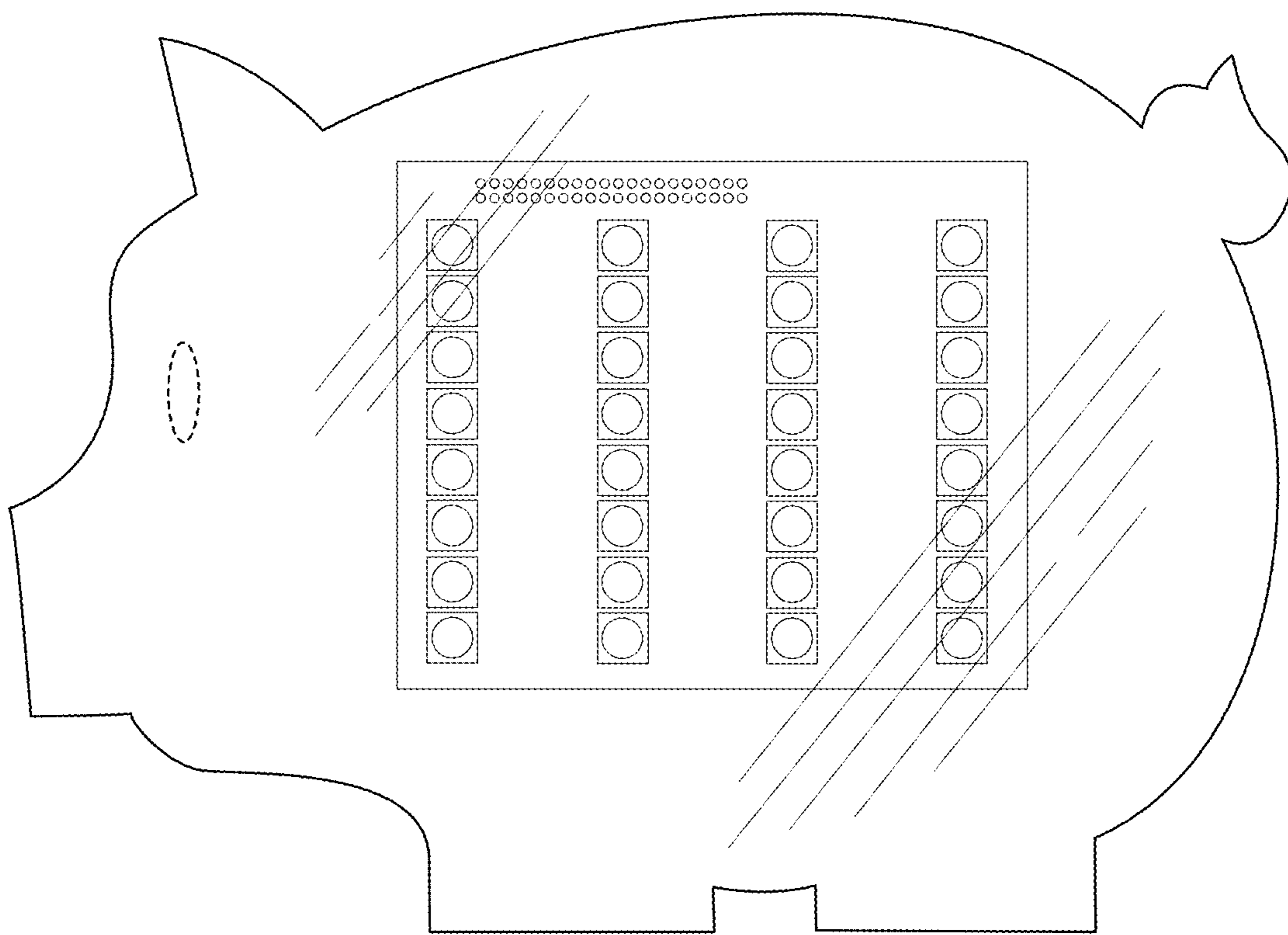


FIG. 2

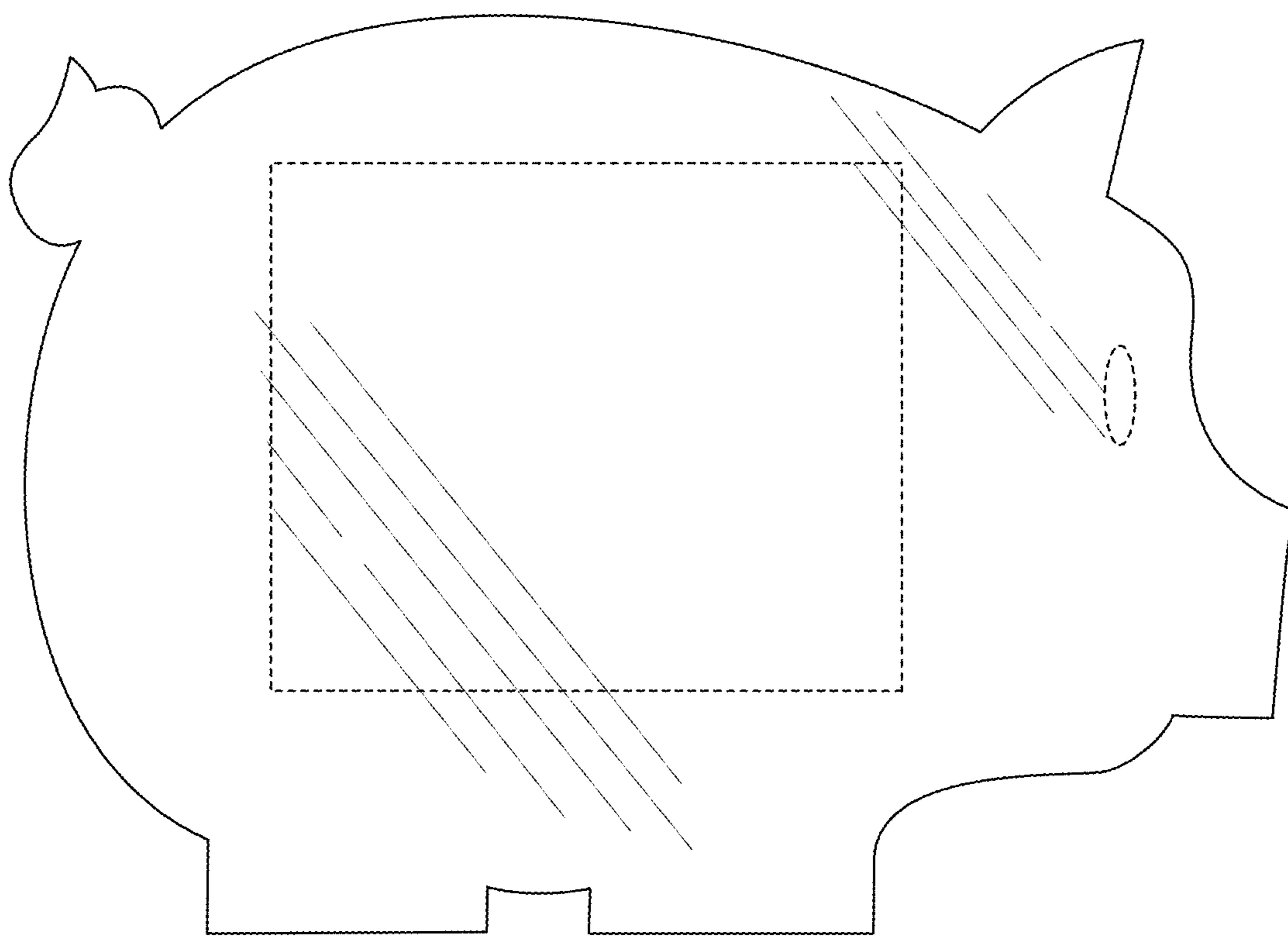


FIG. 3

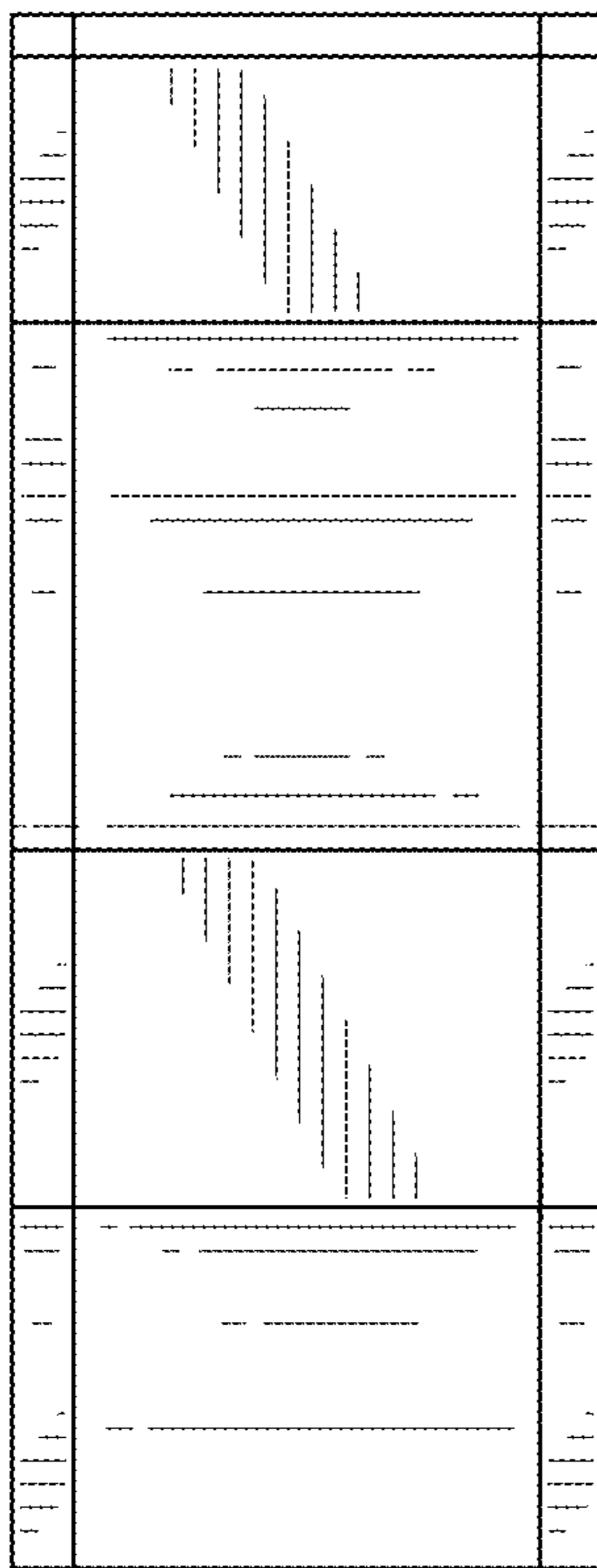


FIG. 4

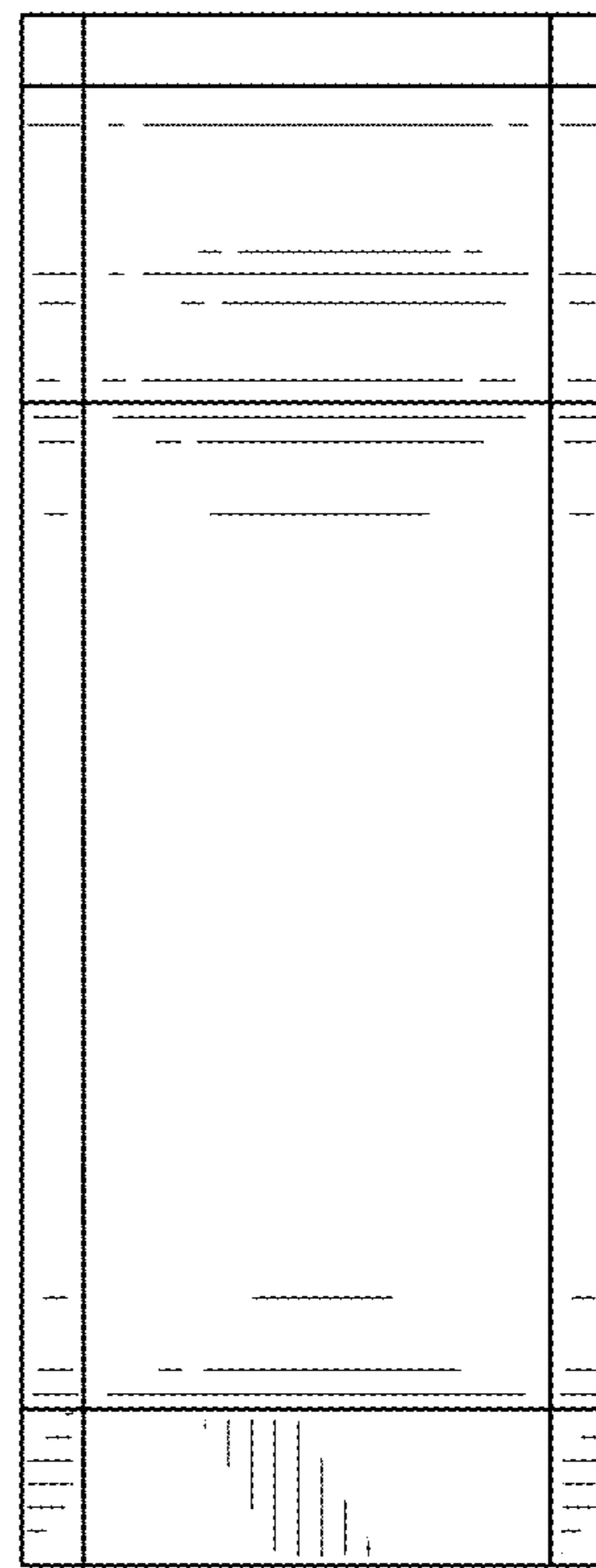


FIG. 5

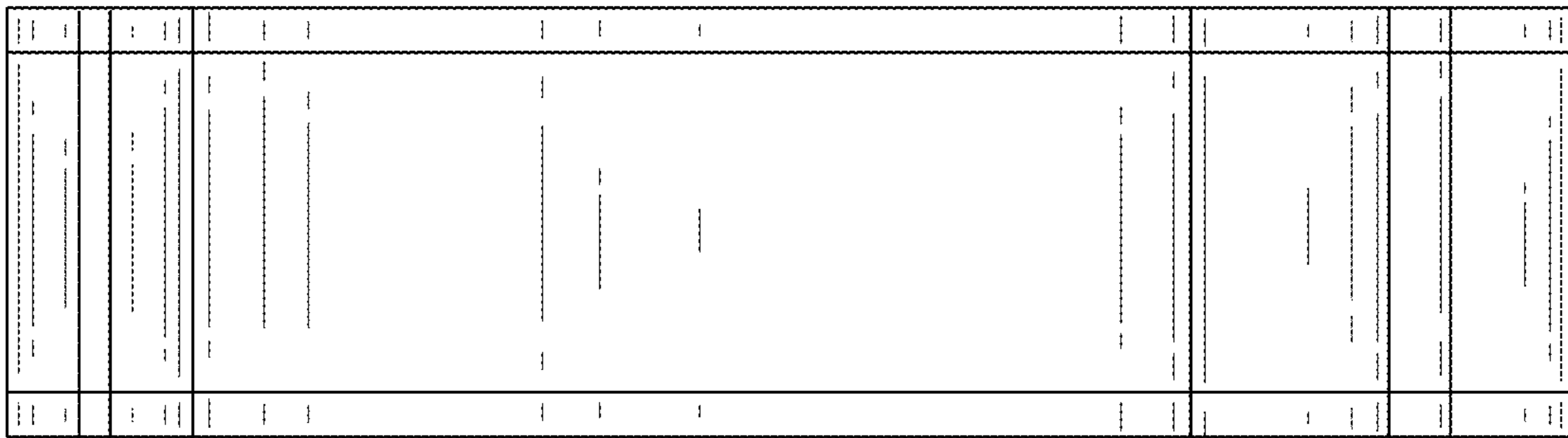


FIG. 6

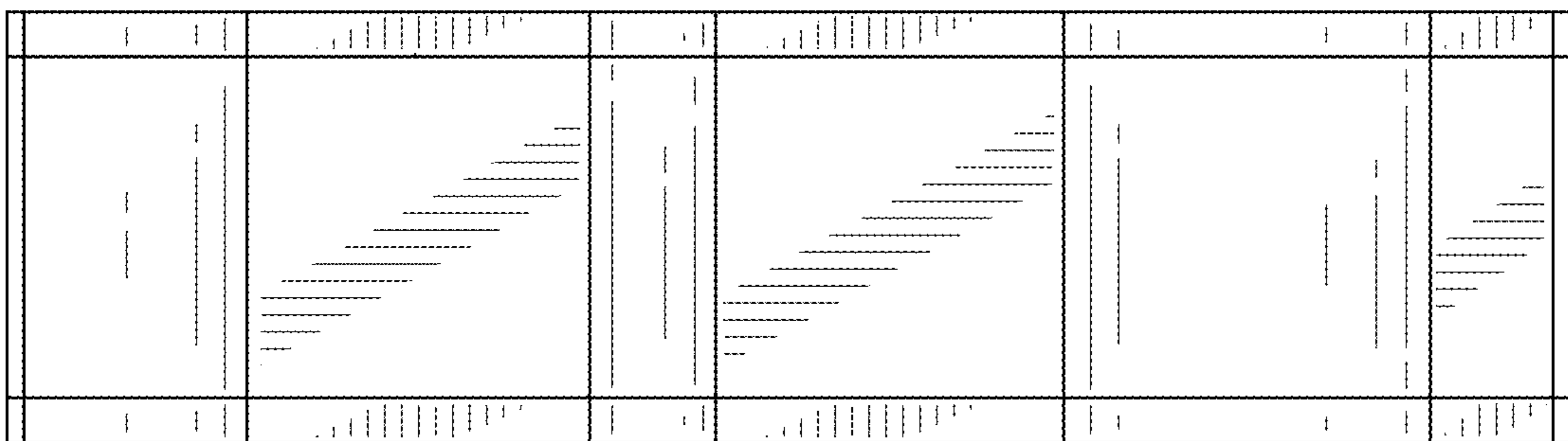


FIG. 7