



US00D871713S

(12) **United States Design Patent** (10) **Patent No.:** **US D871,713 S**
Mikolajczyk et al. (45) **Date of Patent:** **** Dec. 31, 2019**

(54) **CLUSTER BOX MAIL DELIVERY UNIT**

29/14; A47G 29/141; A47G 29/142;
A47G 29/148; A47G 29/16

(71) Applicant: **United States Postal Service**,
Washington, DC (US)

See application file for complete search history.

(72) Inventors: **Ryszard K. Mikolajczyk**, Chicago, IL
(US); **Tauris D. Baskerville**,
Schaumburg, IL (US)

(56) **References Cited**

U.S. PATENT DOCUMENTS

693,770 A 2/1902 Wright et al.
694,219 A 2/1902 Vestal

(Continued)

(73) Assignee: **THE UNITED STATES POSTAL
SERVICE**, Washington, DC (US)

FOREIGN PATENT DOCUMENTS

(**) Term: **15 Years**

EP 0516898 A1 12/1992
WO 9712460 A1 4/1997

(Continued)

(21) Appl. No.: **29/694,044**

(22) Filed: **Jun. 6, 2019**

OTHER PUBLICATIONS

Related U.S. Application Data

Campbell, Leo J., Systems and Methods for Providing Electronic Archiving, U.S. Appl. No. 60/231,337, filed Sep. 8, 2000, 10 pages.

(Continued)

(63) Continuation of application No. 29/654,220, filed on Jun. 21, 2018, now Pat. No. Des. 855,929, which is a continuation of application No. 29/601,564, filed on Apr. 24, 2017, now Pat. No. Des. 821,679, which is a continuation of application No. 29/548,675, filed on Dec. 15, 2015, now Pat. No. Des. 785,274, which is a continuation of application No. 29/492,725, filed on Jun. 2, 2014, now Pat. No. Des. 745,765, which is a continuation of application No. 14/170,398, filed on Jan. 31, 2014, now Pat. No. 8,973,812, which is a

(Continued)

Primary Examiner — Elizabeth J Oswecki

(74) *Attorney, Agent, or Firm* — Lewis Roca Rothgerber Christie LLP

(57) **CLAIM**

The ornamental design for a cluster box mail delivery unit, as shown and described.

DESCRIPTION

(51) **LOC (12) Cl.** **99-00**

(52) **U.S. Cl.**
USPC **D99/32**

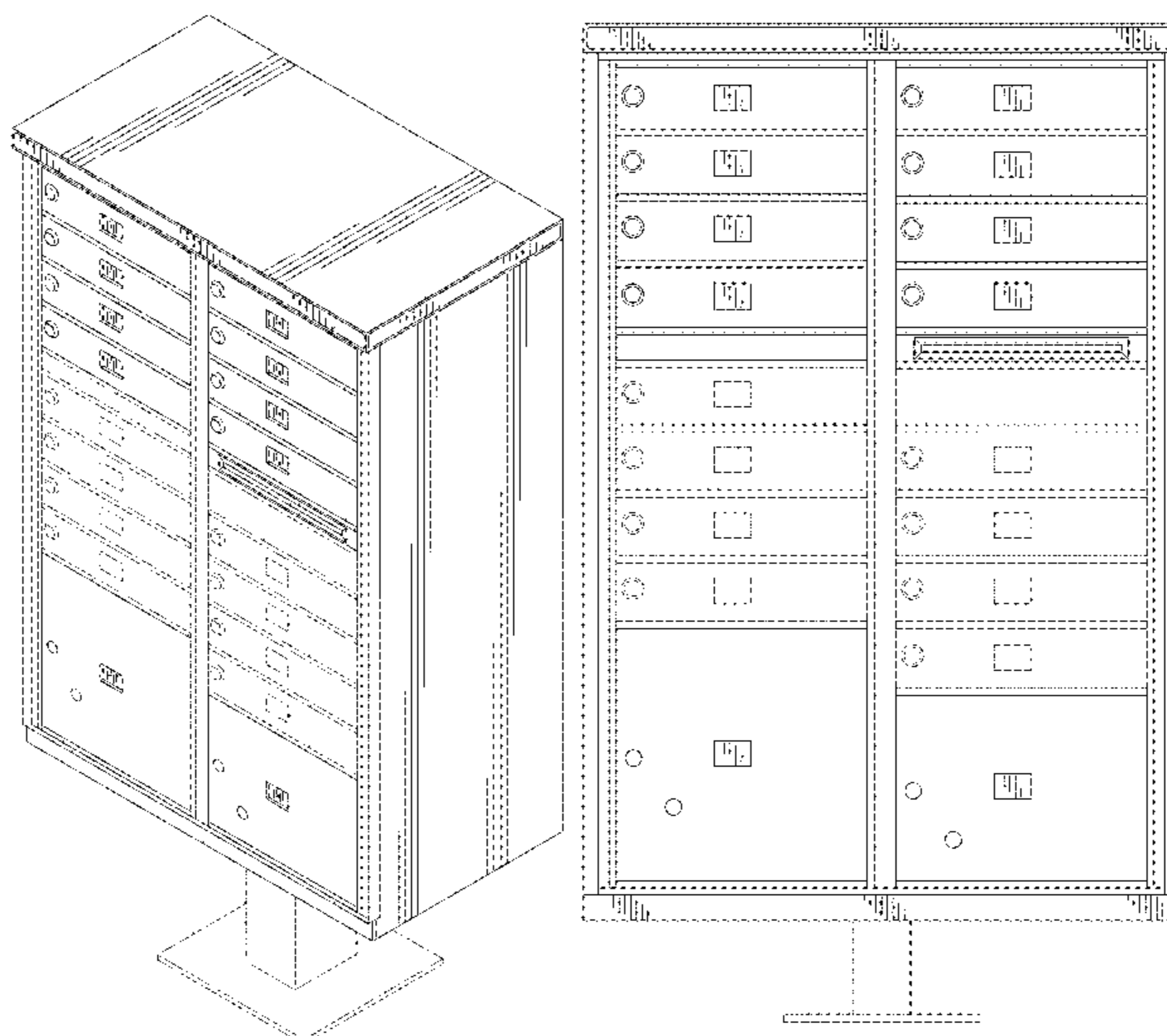
(58) **Field of Classification Search**
USPC D99/28, 29, 30, 31, 32, 33, 99; 312/35; 232/1 R, 1 A, 1 C, 1 D, 1 E, 2, 4 R, 17, 232/19, 20, 21, 22, 24, 27, 30, 31, 37, 38, 232/39, 44, 45
CPC A47G 29/12; A47G 29/1201; A47G 29/1203; A47G 29/1207; A47G 29/1209; A47G 29/1216; A47G 29/1218; A47G

FIG. 1 is a perspective view of a cluster box mail delivery unit showing our new design;
FIG. 2 is a front view thereof;
FIG. 3 is a right side view thereof;
FIG. 4 is a left side view thereof; and,
FIG. 5 is a top view thereof.

The rear and bottom views form no part of the claimed design.

The broken lines form no part of the claimed design.

1 Claim, 5 Drawing Sheets



Related U.S. Application Data

continuation of application No. 11/168,471, filed on
Jun. 29, 2005, now Pat. No. 8,661,862.

(56)

References Cited

U.S. PATENT DOCUMENTS

894,754 A	7/1906	Snaman	4,836,352 A	6/1989	Tateno et al.
843,200 A	2/1907	Fessler	4,865,248 A	9/1989	Barth
950,935 A	3/1910	Lorenz et al.	4,883,223 A	11/1989	Taniguchi
1,060,018 A	4/1913	Pape	4,905,891 A	3/1990	Wildish et al.
1,222,964 A	4/1917	Matchette	4,913,342 A	4/1990	Fluck
1,350,770 A	8/1920	Bates et al.	5,000,378 A	3/1991	Dorr et al.
1,362,949 A	12/1920	Lillard	D315,996 S	4/1991	Barth et al.
1,459,031 A	6/1923	Murphy	5,043,908 A	8/1991	Manduley et al.
1,508,801 A	9/1924	Miller et al.	5,056,711 A	10/1991	Bush
1,574,354 A	2/1926	Barth	5,103,659 A	4/1992	Benefield, Sr.
1,604,629 A	10/1926	Beer	D326,757 S	6/1992	Ullman
1,629,620 A	5/1927	Harmony	5,136,646 A	8/1992	Haber et al.
1,632,762 A	6/1927	Hammer	5,136,647 A	8/1992	Haber et al.
1,642,533 A	9/1927	Beer	D332,166 S	12/1992	Williams
1,644,215 A	10/1927	Wilhelm	5,172,970 A	12/1992	Momose et al.
1,683,217 A	9/1928	Ward, Jr.	D335,377 S	5/1993	Speciale
1,683,218 A	9/1928	Ward, Jr.	5,223,829 A	6/1993	Watabe
1,695,524 A	12/1928	Blackman	5,267,688 A	12/1993	Benefield
1,709,363 A	4/1929	Murphy	5,373,561 A	12/1994	Haber et al.
1,719,541 A	7/1929	Gaffner et al.	5,400,960 A	3/1995	Jeffs
1,735,379 A	11/1929	Content	5,404,231 A	4/1995	Bloomfield
1,736,895 A	11/1929	Ward, Jr.	D366,576 S	1/1996	Stacy
1,756,945 A	5/1930	Hammer	5,520,450 A	5/1996	Colson, Jr. et al.
1,760,961 A	6/1930	Parker	5,542,720 A	8/1996	Fleming
1,770,188 A	7/1930	Auth	5,562,332 A	10/1996	Stacy
1,817,191 A	8/1931	Harmony	5,573,178 A	11/1996	Worden
1,823,514 A	9/1931	Shrauger	5,588,588 A	12/1996	Byrd
1,874,696 A	8/1932	Cole	5,638,446 A	6/1997	Rubin
1,932,468 A	10/1933	Knell	5,701,770 A	12/1997	Cook et al.
1,957,271 A	5/1934	Keil	5,710,887 A	1/1998	Chelliah et al.
2,097,504 A	11/1937	Wells	5,774,053 A	6/1998	Porter
2,164,855 A	7/1939	Florence	5,781,629 A	7/1998	Haber et al.
2,370,682 A	3/1945	Overmyer	5,794,844 A	8/1998	Jenkins
2,444,679 A	7/1948	Shaukis	5,820,018 A	10/1998	Stacy
2,448,225 A	8/1948	Malloy	5,820,019 A	10/1998	Spitale
2,465,935 A	3/1949	Scalia	5,857,188 A	1/1999	Douglas
2,480,288 A	8/1949	Donadio	5,870,549 A	2/1999	Bobo, II
2,518,141 A	8/1950	Hiler	5,878,233 A	3/1999	Schloss
2,563,094 A	8/1951	Becker	5,917,411 A	6/1999	Baggarly
2,623,689 A	12/1952	Barlick	5,917,925 A	6/1999	Moore
2,658,667 A	11/1953	Mirkin	5,943,656 A	8/1999	Crooks et al.
2,694,369 A	11/1954	Strother	5,971,587 A	10/1999	Kato et al.
D180,171 S	4/1957	Band	5,979,750 A	11/1999	Kindell
2,803,512 A	8/1957	Band	5,992,736 A	11/1999	Parker
2,841,327 A	7/1958	Chasworth	6,006,200 A	12/1999	Boies et al.
2,852,926 A	9/1958	Chervenka	D419,747 S	1/2000	Noblet et al.
2,853,231 A	9/1958	Yorgey et al.	6,028,517 A	2/2000	Sansone et al.
2,960,265 A	11/1960	Simon	6,033,761 A	3/2000	Dwiggins et al.
3,296,842 A	1/1967	Auerbach et al.	6,035,402 A	3/2000	Vaeth et al.
D210,257 S	2/1968	Favaro	6,047,264 A	4/2000	Fisher et al.
D210,332 S	2/1968	Favaro	6,064,995 A	5/2000	Sansone et al.
3,696,463 A	10/1972	Watson	D426,236 S	6/2000	Kim et al.
3,709,189 A	1/1973	Widham	6,070,793 A	6/2000	Reichl et al.
3,722,236 A	3/1973	Zelenko	6,085,170 A	7/2000	Tsukuda
3,784,089 A	1/1974	Koch	6,138,910 A	10/2000	Madruga
3,790,244 A	2/1974	Stackhouse	6,152,369 A	11/2000	Wilz, Sr. et al.
D248,138 S	6/1978	Stackhouse et al.	D436,963 S	1/2001	Kim et al.
4,121,758 A	10/1978	Bonner	6,219,669 B1	4/2001	Haff et al.
4,135,662 A	1/1979	Dlugos	6,233,565 B1	5/2001	Lewis et al.
4,161,274 A	7/1979	Bishop et al.	6,243,620 B1	6/2001	Robinson et al.
4,309,569 A	1/1982	Merkle	6,246,925 B1	6/2001	Robinson et al.
4,500,122 A	2/1985	Douglas	6,247,641 B1	6/2001	Noblet et al.
4,557,416 A	12/1985	Stahl et al.	6,259,964 B1	7/2001	Robinson
4,574,352 A	3/1986	Coppola et al.	6,285,991 B1	9/2001	Powar
4,648,550 A	3/1987	Cleary, Jr.	6,289,323 B1	9/2001	Gordon et al.
4,650,113 A	3/1987	Hunt	6,296,181 B1	10/2001	Noblet et al.
D293,863 S	1/1988	Chester	6,300,873 B1	10/2001	Kucharczyk et al.
4,725,718 A	2/1988	Sansone et al.	6,323,782 B1	11/2001	Stephens et al.
4,727,368 A	2/1988	Larson et al.	6,347,737 B1	2/2002	Madruga
4,778,201 A	10/1988	Kouno et al.	6,394,565 B1	5/2002	Greenhalgh
			6,439,825 B1	8/2002	Bonsall
			6,442,571 B1	8/2002	Haff et al.
			D471,691 S	3/2003	Ducolon
			6,629,634 B2	10/2003	Simmons
			6,644,542 B2	11/2003	Cox et al.
			D485,043 S	1/2004	Nelson et al.
			6,681,604 B1	1/2004	Samsel
			6,749,109 B2	6/2004	Hill
			6,817,637 B1	11/2004	Anderson

(56)

References Cited

FOREIGN PATENT DOCUMENTS

U.S. PATENT DOCUMENTS

6,889,894 B2 5/2005 Yong
 6,923,367 B1 8/2005 Grossman et al.
 6,933,832 B1 8/2005 Simms et al.
 6,967,575 B1 11/2005 Dohrmann et al.
 D528,734 S 9/2006 Phelps et al.
 D536,155 S 1/2007 Mikolajczyk et al.
 7,158,941 B1 1/2007 Thompson
 7,178,716 B2 2/2007 Yong
 D543,335 S 5/2007 Mikolajczyk et al.
 D547,025 S 7/2007 Mikolajczyk et al.
 D549,424 S 8/2007 Mikolajczyk et al.
 7,318,632 B2 1/2008 Bidinger et al.
 7,604,158 B1 10/2009 Bond
 7,748,606 B2 7/2010 Mikolajczyk et al.
 7,857,199 B2 12/2010 Mikolajczyk et al.
 D640,445 S 6/2011 Stevens
 7,963,436 B2 6/2011 Mikolajczyk et al.
 8,167,195 B2 5/2012 Mikolajczyk et al.
 8,246,124 B2 8/2012 Mackillop
 8,661,862 B2 3/2014 Mikolajczyk et al.
 8,973,812 B2 3/2015 Mikolajczyk et al.
 9,051,752 B1 6/2015 Muthusami
 D745,765 S 12/2015 Mikolajczyk et al.
 9,322,207 B2 4/2016 Savage et al.
 D785,274 S 4/2017 Mikolajczyk et al.
 D789,022 S 6/2017 Spears et al.
 D799,783 S * 10/2017 Spears D99/29
 D799,784 S * 10/2017 Spears D99/29
 D800,413 S * 10/2017 Spears D99/29
 D800,414 S * 10/2017 Spears D99/29
 D802,249 S * 11/2017 Spears D99/29
 D821,679 S 6/2018 Mikolajczyk et al.
 D854,777 S * 7/2019 Yardley D99/28
 D854,778 S * 7/2019 Yardley D99/28
 D855,929 S * 8/2019 Mikolajczyk D99/32
 2001/0032181 A1 10/2001 Jakstadt et al.
 2001/0035703 A1 11/2001 Scholefield
 2002/0032572 A1 3/2002 Ikemori et al.
 2002/0035515 A1 3/2002 Moreno
 2002/0046173 A1 4/2002 Kelly
 2002/0049672 A1 4/2002 Kitchen et al.
 2002/0056296 A1 5/2002 Weinerman et al.
 2002/0063148 A1 5/2002 Cox et al.
 2002/0103653 A1 8/2002 Huxter
 2002/0147919 A1 10/2002 Gentry
 2002/0156645 A1 10/2002 Hansen
 2002/0162883 A1 11/2002 Arvonio et al.
 2003/0006275 A1 1/2003 Gray
 2003/0077409 A1 4/2003 Schnell
 2003/0079129 A1 4/2003 Lindsay
 2003/0136823 A1 7/2003 Felice et al.
 2003/0154891 A1 8/2003 Fassbender et al.
 2003/0205614 A1 11/2003 Walter, Jr. et al.
 2003/0213837 A1 11/2003 Morgan
 2004/0122780 A1 6/2004 Devar
 2006/0060114 A1 * 3/2006 Walker E05G 1/00
 109/67
 2006/0101874 A1 5/2006 Mikolajczyk et al.
 2006/0151588 A1 7/2006 Mikolajczyk et al.
 2006/0152339 A1 * 7/2006 Mercier G07F 17/12
 340/5.73
 2006/0255116 A1 * 11/2006 Yong A47G 29/1201
 232/24
 2008/0223091 A1 9/2008 Kroening et al.
 2009/0145956 A1 6/2009 Mikolajczyk et al.
 2009/0179735 A1 7/2009 Van Rysselberghe
 2009/0282752 A1 * 11/2009 Stilnovich E04H 13/006
 52/133
 2010/0026147 A1 * 2/2010 MacKillop A47G 29/1201
 312/215
 2010/0206945 A1 8/2010 Mikolajczyk et al.
 2013/0193818 A1 * 8/2013 Sturm A62C 2/242
 312/222
 2014/0144975 A1 5/2014 Mikolajczyk et al.

WO 0013368 A1 5/2000
 WO 0118718 A1 3/2001
 WO 0100069 A3 5/2001
 WO 0165444 A1 9/2001
 WO 0199005 A1 12/2001
 WO 0199009 A2 12/2001
 WO 0199037 A1 12/2001
 WO 0208961 A1 1/2002
 WO 0221315 A1 3/2002
 WO 02066344 A1 8/2002
 WO 02079947 A3 2/2003
 WO 03023677 A1 3/2003
 WO 2003097503 A1 5/2004
 WO 2006004712 A2 1/2006
 WO 2006004712 A3 1/2006
 WO 2006004713 A2 1/2006
 WO 2006004713 A3 1/2006

OTHER PUBLICATIONS

International Search Report and Written Opinion for Application No. PCT/US05/22857, dated Dec. 21, 2005, 9 pages.
 International Search Report and Written Opinion for Application No. PCT/US2002/04866, dated May 23, 2002, 5 pages.
 International Search Report and Written Opinion for Application No. PCT/US2005/22856, dated Oct. 12, 2007, 8 pages.
 International Search Report for Application No. PCT/US2000/27068, dated Apr. 5, 2001, 3 pages.
 International Search Report for Application No. PCT/US2001/08490, dated Jan. 22, 2002, 2 pages.
 International Search Report for Application No. PCT/US2001/19384, dated Nov. 16, 2001, 1 page.
 International Search Report for Application No. PCT/US2001/19421, dated Nov. 19, 2001, 1 page.
 International Search Report for Application No. PCT/US2001/23177, dated Oct. 18, 2001, 1 page.
 International Search Report for Application No. PCT/US2001/27690, dated Nov. 19, 2001, 1 page.
 International Search Report for Application No. PCT/US2001/28001, dated Dec. 21, 2001, 3 pages.
 International Search Report for Application No. PCT/US2002/028548, dated Dec. 18, 2002, 1 page.
 International Search Report for Application No. PCT/US2002/09870, dated Dec. 5, 2002, 2 pages.
 International Written Opinion for Application No. PCT/US2001/08488, dated Oct. 28, 2002, 10 pages.
 International Written Opinion for Application No. PCT/US2001/19384, dated Jun. 17, 2002, 4 pages.
 International Written Opinion for Application No. PCT/US2002/09870, dated Mar. 6, 2003, 6 pages.
 Appendix K—USPS Burke Test Site Report, User Interface Review of Mail Item Retrieval System, Burke Station, Burke Virginia, Dec. 24, 1998, 14 pages.
 Appendix L—In-plant Test Report (Re-Test Failed Items); Mail Item Retrieval System (MIRS), Oct. 21, 1998, 13 pages.
 Appendix M—Hoffman, Ronald B. et al., Heuristic Evaluation of the USPS Mail Item Retrieval System Early Prototype, Mitretek Systems, May 11, 1998, 19 pages.
 Article 34 Amendments, Letter Accompanying Replacement Sheets, Systems and Methods for Electronic Message Content Identification, International Filing No. PCT/US01/19698, dated Jun. 20, 2001, 2 pages.
 Bartholomew, Doug, The Future of Snail Mail; the Postal Service is gearing up for competition. But can it deliver? Dialog Search, Information Week n. 556, Dec. 4, 1995, 6 pages.
 Bhushan, B. et al., Federated Accounting: Service Charging and Billing in a Business-to-Business Environment, Integrated Network Management Proceedings, IEEE/IFIP International Symposium, May 14-18, 2001, 15 pages.

(56)

References Cited

OTHER PUBLICATIONS

Campbell, Leo J. et al., Methods and Systems for Proofing Identities Using a Certificate Authority, U.S. Appl. No. 09/809,325, filed Mar. 16, 2001, 136 pages.

Campbell, Leo J. et al., Methods and Systems for Providing an Electronic Account to a Customer, U.S. Appl. No. 09/809,581, filed Mar. 16, 2001, 141 pages.

Connect Announces OneServer interactive online application platform, Business Wire, Dialog, Apr. 10, 1995, 2 pages.

Cook, Jon L. et al., Methods and Systems for Linking an Electronic Address to a Physical Address of a Customer, U.S. Appl. No. 09/809,326, filed Mar. 16, 2001, 147 pages.

Cook, Jon L. et al., Methods and Systems for Providing a Secure Electronic Mailbox, U.S. Appl. No. 09/809,312, filed Mar. 16, 2001, 172 pages.

Czerny, Manfred, Customer Account Management System for Steweag Key Accounts, Electricity Distribution, Par 1, IEEE Conf. Publ. No. 438, vol. 5, Jun. 2, 1997, 5 pages.

Dialog, Joint Direct Bill Payment Form for Michigan Utilities, Bank Technology News, Apr. 1994, 1 page.

FedEx eBusiness Tools online service feature, FedEx Ship Manager Software, <http://www.fedex.com/us/ebusiness/eshipping/ship.html>, Nov. 28, 2001, 2 pages.

FedEx, Customer Service, Fact Facts online service feature, <http://www.fedex.com/us/customer/fastfacts/backissues/101100fastfacts.html>, Oct. 11, 2000, 4 pages.

ITU, Recommendation F. 400/X.400 message handling and directory services—operation and definition of service, Nov. 14, 1988, CCITT, Melbourne, 10 pages.

Newkirk, Kristine M., Banks can slice transaction costs, Independent Banker, vol. 45, No. 12, Dialog, Dec. 1995, 3 pages.

Orbke, Wayne H., et al., Methods and Systems for Establishing an Electronic Account for a Customer, U.S. Appl. No. 09/809,328, filed Mar. 16, 2001, 166 pages.

Stafford, Clayton D. et al., Delivering Marketing Expertise to the Front Lines, Expert IEEE, vol. 9, Issue 2, 1994, 10 pages.

* cited by examiner

FIG. 1

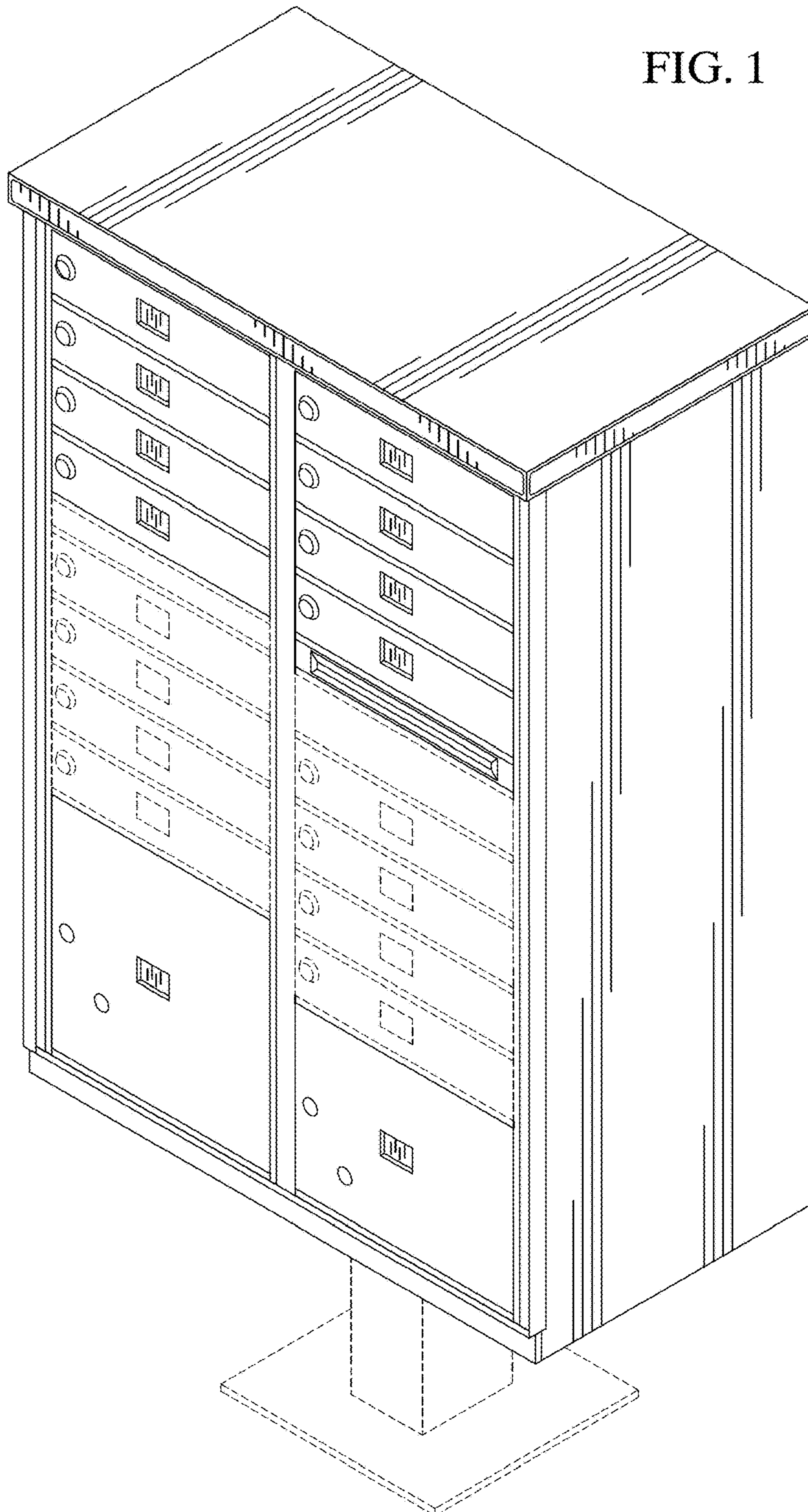


FIG. 2

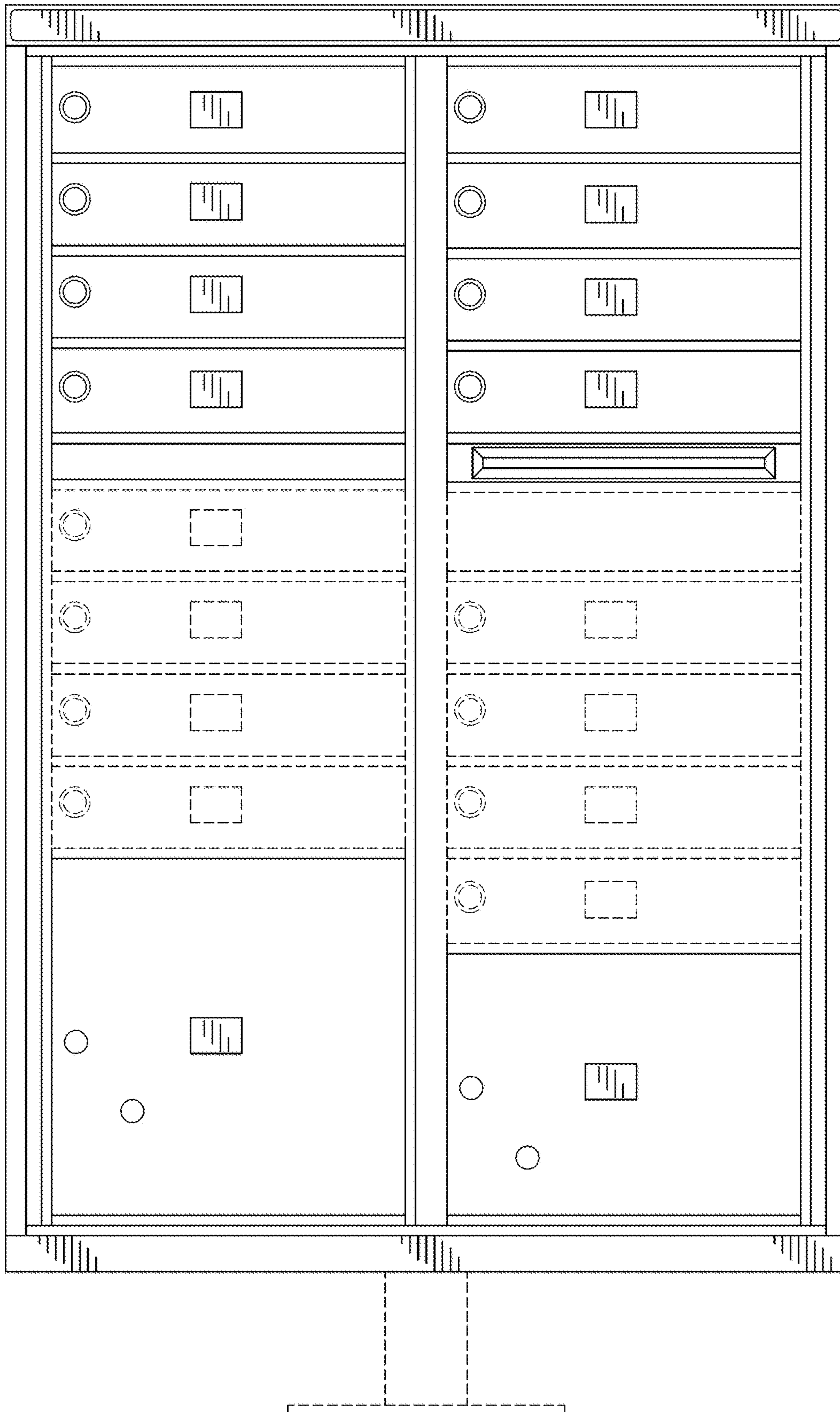


FIG. 3

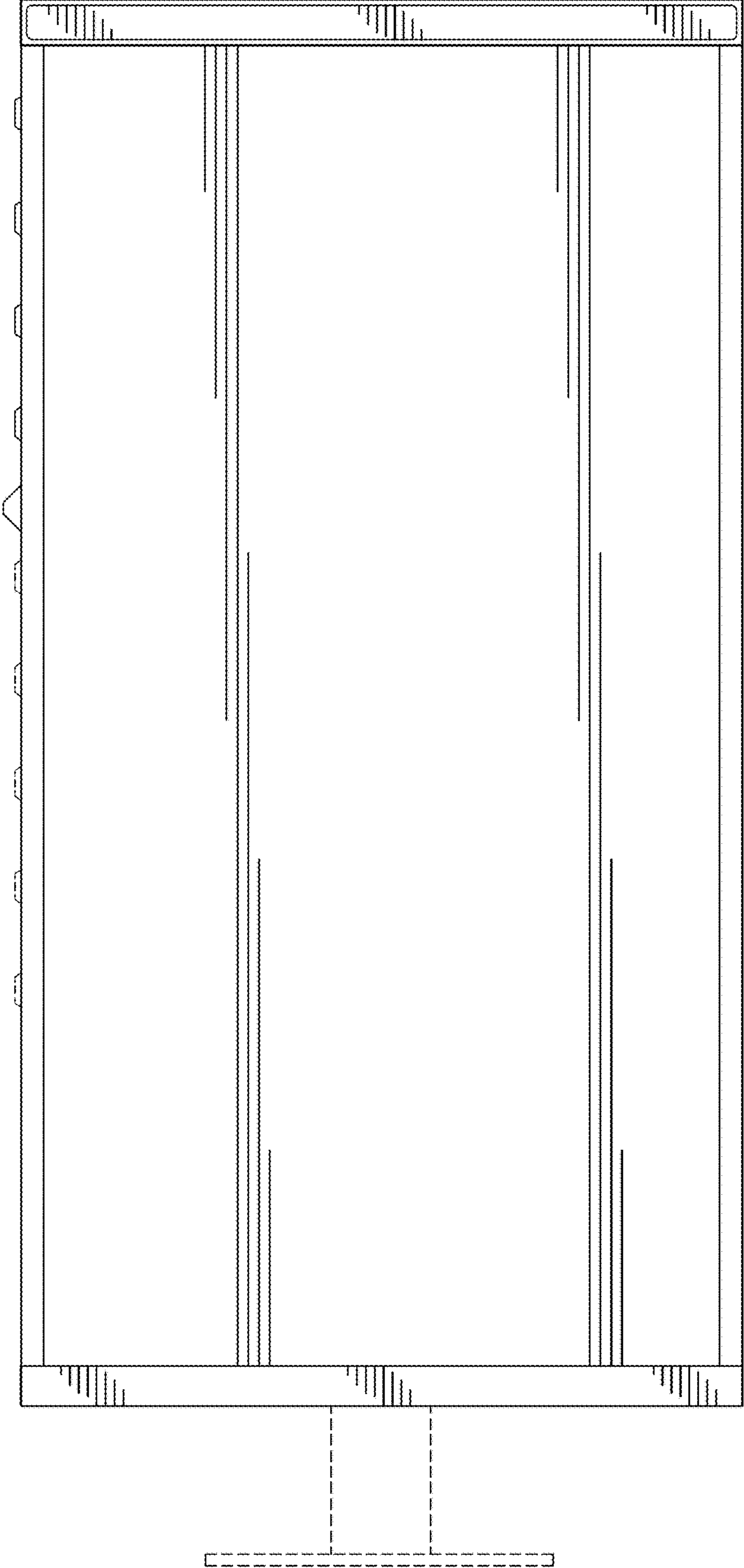


FIG. 4

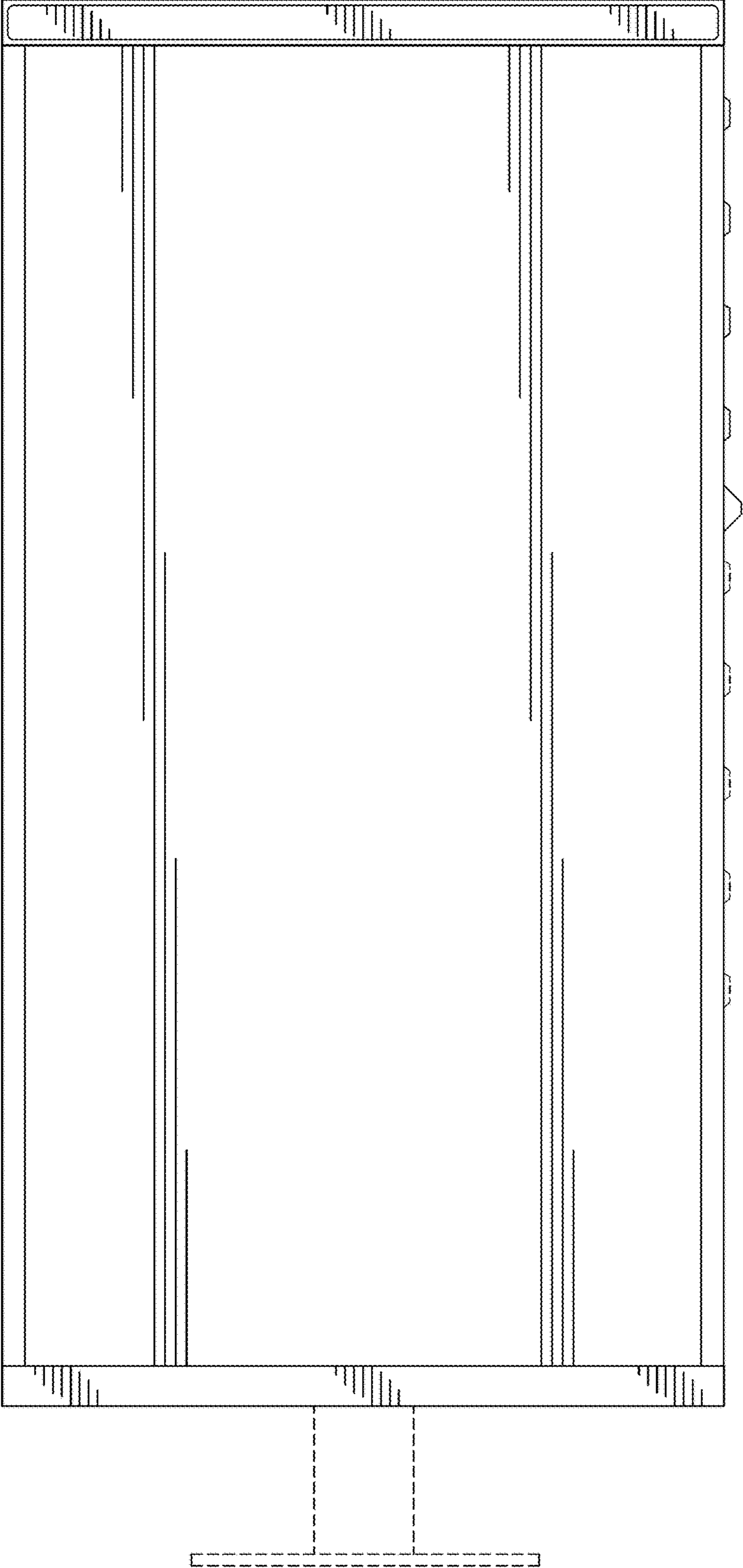


FIG. 5

