



US00D871711S

(12) **United States Design Patent**  
**Dallan**

(10) **Patent No.:** **US D871,711 S**

(45) **Date of Patent:** **\*\* Dec. 31, 2019**

(54) **CONVEYOR BELT SUPPORT**

(71) Applicant: **Dallan S.p.A.**, Castelfranco Veneto  
(Treviso) (IT)

(72) Inventor: **Sergio Dallan**, Castelfranco Veneto (IT)

(\*\*) Term: **15 Years**

(21) Appl. No.: **29/622,180**

(22) Filed: **Oct. 14, 2017**

(30) **Foreign Application Priority Data**

Jul. 17, 2017 (EM) ..... 004107282-0001

(51) **LOC (12) Cl.** ..... **12-05**

(52) **U.S. Cl.**  
USPC ..... **D34/35; D34/29**

(58) **Field of Classification Search**  
USPC ..... D34/29, 35; 198/816, 736, 842, 606,  
198/633, 817, 830, 828, 841, 780, 853,  
198/840; D25/119-125  
CPC ..... B65G 39/12; B65G 15/62; B65G 21/02;  
B65G 21/22; B65G 39/16  
See application file for complete search history.

(56) **References Cited**

**U.S. PATENT DOCUMENTS**

4,053,039 A \* 10/1977 Shuttleworth ..... B65G 39/12  
198/780  
D258,500 S \* 3/1981 Kloefkorn ..... D34/29

D479,637 S \* 9/2003 Flippo ..... D34/29  
D493,933 S \* 8/2004 Schwagermann ..... D34/29  
6,851,539 B2 \* 2/2005 Flippo ..... B65G 13/12  
193/35 TE  
D553,824 S \* 10/2007 Rijkssen ..... D34/29  
D710,564 S \* 8/2014 Yang ..... D34/29

\* cited by examiner

*Primary Examiner* — Gino Colan

(74) *Attorney, Agent, or Firm* — Themis Law

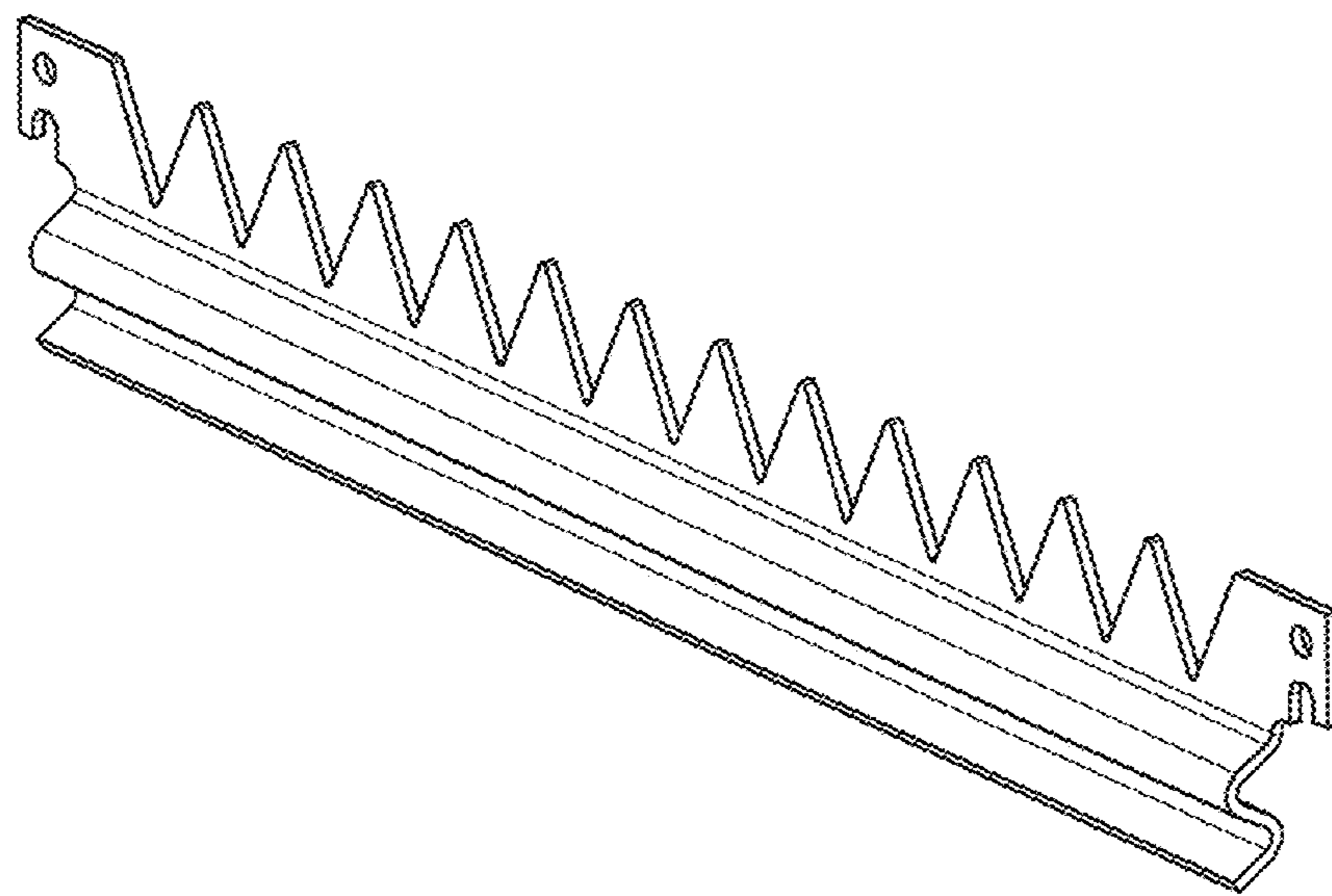
(57) **CLAIM**

The ornamental design for a conveyor belt support, as shown.

**DESCRIPTION**

FIG. 1 is a rear perspective view of a conveyor belt support showing my new design;  
FIG. 2 is a front elevational view thereof;  
FIG. 3 is a rear elevational view thereof;  
FIG. 4 is a right elevational view thereof;  
FIG. 5 is a left elevational view thereof;  
FIG. 6 is top plan view thereof; and,  
FIG. 7 is a bottom plan view thereof.

**1 Claim, 7 Drawing Sheets**



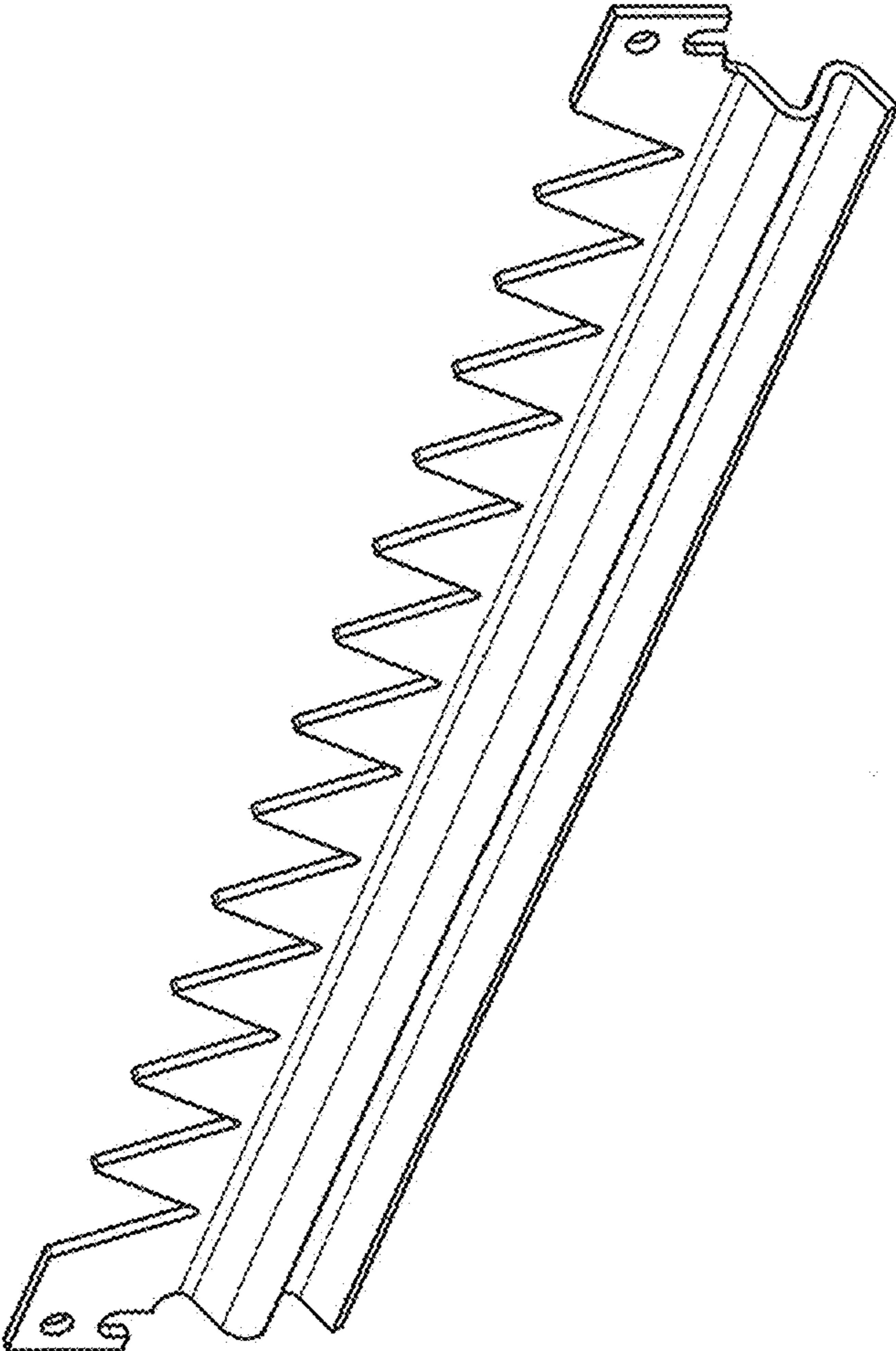


FIG. 1

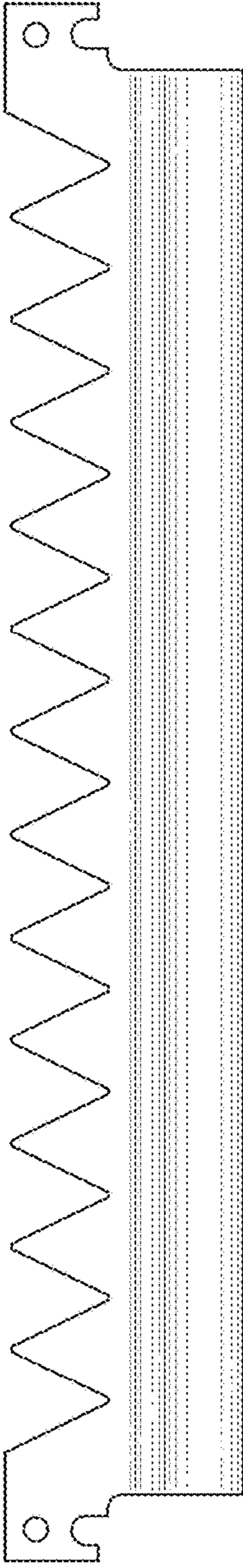


FIG. 2

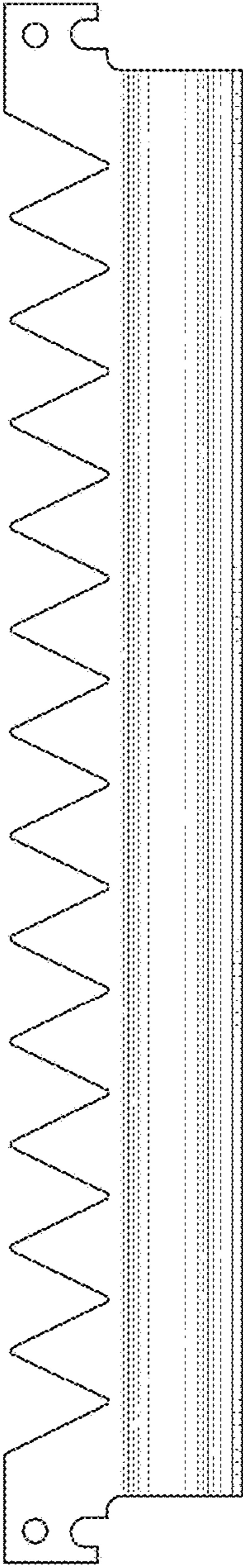


FIG. 3



FIG. 4



FIG. 5



FIG. 6

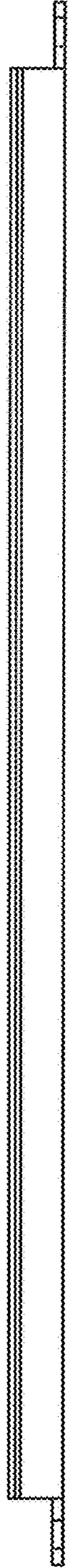


FIG. 7