



US00D871710S

(12) **United States Design Patent** (10) **Patent No.:** **US D871,710 S**  
**DiPaolo et al.** (45) **Date of Patent:** **\*\* Dec. 31, 2019**

(54) **BAR**  
(71) Applicant: **MARS, INCORPORATED**, McLean, VA (US)  
(72) Inventors: **Richard DiPaolo**, Hackettstown, NJ (US); **Timothy B. Pender**, Andover, NJ (US)  
(73) Assignee: **MARS, INCORPORATED**, McLean, VA (US)  
(\*\*) Term: **15 Years**  
(21) Appl. No.: **29/686,680**  
(22) Filed: **Apr. 5, 2019**

D376,461 S 12/1996 Graf  
D381,176 S 7/1997 Patois et al.  
D385,078 S 10/1997 Thom, Jr.  
5,894,801 A 4/1999 Ackley, Jr.  
D608,973 S 1/2010 Kanda et al.  
8,269,958 B2 9/2012 Ackley, Jr. et al.  
9,327,915 B1 5/2016 Sammauro  
D784,647 S 4/2017 DiPaolo et al.  
D850,053 S \* 5/2019 DiPaolo ..... D34/29  
2001/0039889 A1 11/2001 Ackley, Jr.  
2004/0094050 A1 5/2004 Ackley, Jr. et al.  
2009/0250322 A1 10/2009 Jager  
2010/0035739 A1 2/2010 Gysi et al.  
2010/0038215 A1 2/2010 Broe  
2011/0128557 A1 6/2011 Kinoshita et al.  
2011/0128577 A1 6/2011 Miyata  
2011/0297590 A1 12/2011 Ackley et al.

**Related U.S. Application Data**

(62) Division of application No. 29/593,431, filed on Feb. 8, 2017, now Pat. No. Des. 850,053, which is a division of application No. 29/520,800, filed on Mar. 18, 2015, now Pat. No. Des. 784,647.

(51) **LOC (12) Cl.** ..... **12-05**  
(52) **U.S. Cl.**  
USPC ..... **D34/29**

(58) **Field of Classification Search**  
USPC ..... D34/29, 35; 198/938, 935, 942, 843, 198/844.1  
CPC .... B65G 47/66; B65G 2201/02; B65G 21/22; B65G 23/00; B65G 23/04; B65G 15/08  
See application file for complete search history.

**References Cited**

**U.S. PATENT DOCUMENTS**

5,074,407 A 12/1991 Brumby  
D325,277 S 4/1992 Abbestam et al.

**FOREIGN PATENT DOCUMENTS**

JP H07-081050 A 3/1995

\* cited by examiner

*Primary Examiner* — Cynthia Ramirez

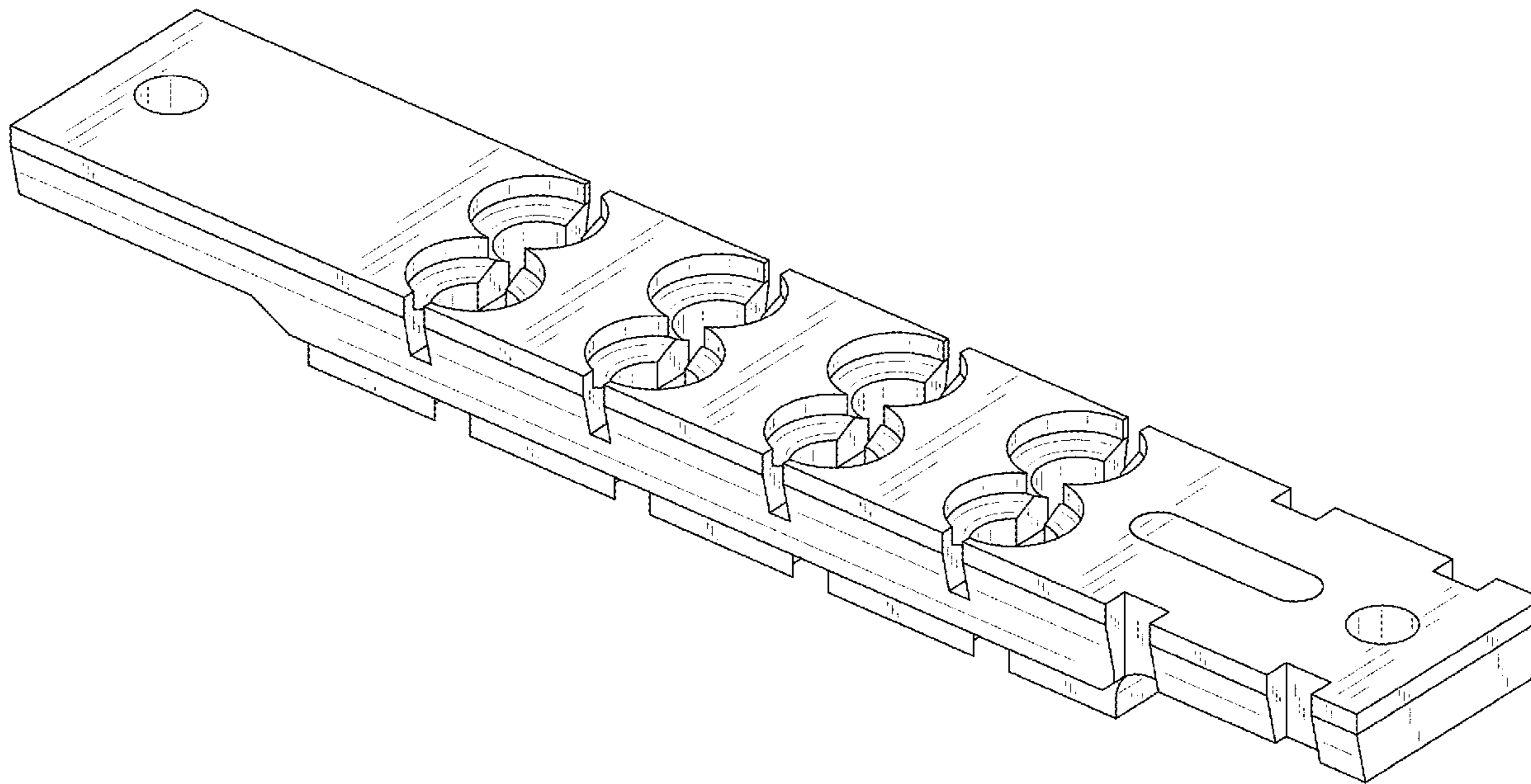
**CLAIM**

(57) The ornamental design for a bar, as shown and described.

**DESCRIPTION**

FIG. 1 is a perspective view of a bar showing our new design;  
FIG. 2 is a front view of the design shown in FIG. 1;  
FIG. 3 is a rear view of the design shown in FIG. 1;  
FIG. 4 is a left side view of the design shown in FIG. 1;  
FIG. 5 is a right side view of the design shown in FIG. 1;  
FIG. 6 is a top view of the design shown in FIGS. 1; and,  
FIG. 7 is a bottom view of the design shown in FIG. 1.

**1 Claim, 6 Drawing Sheets**



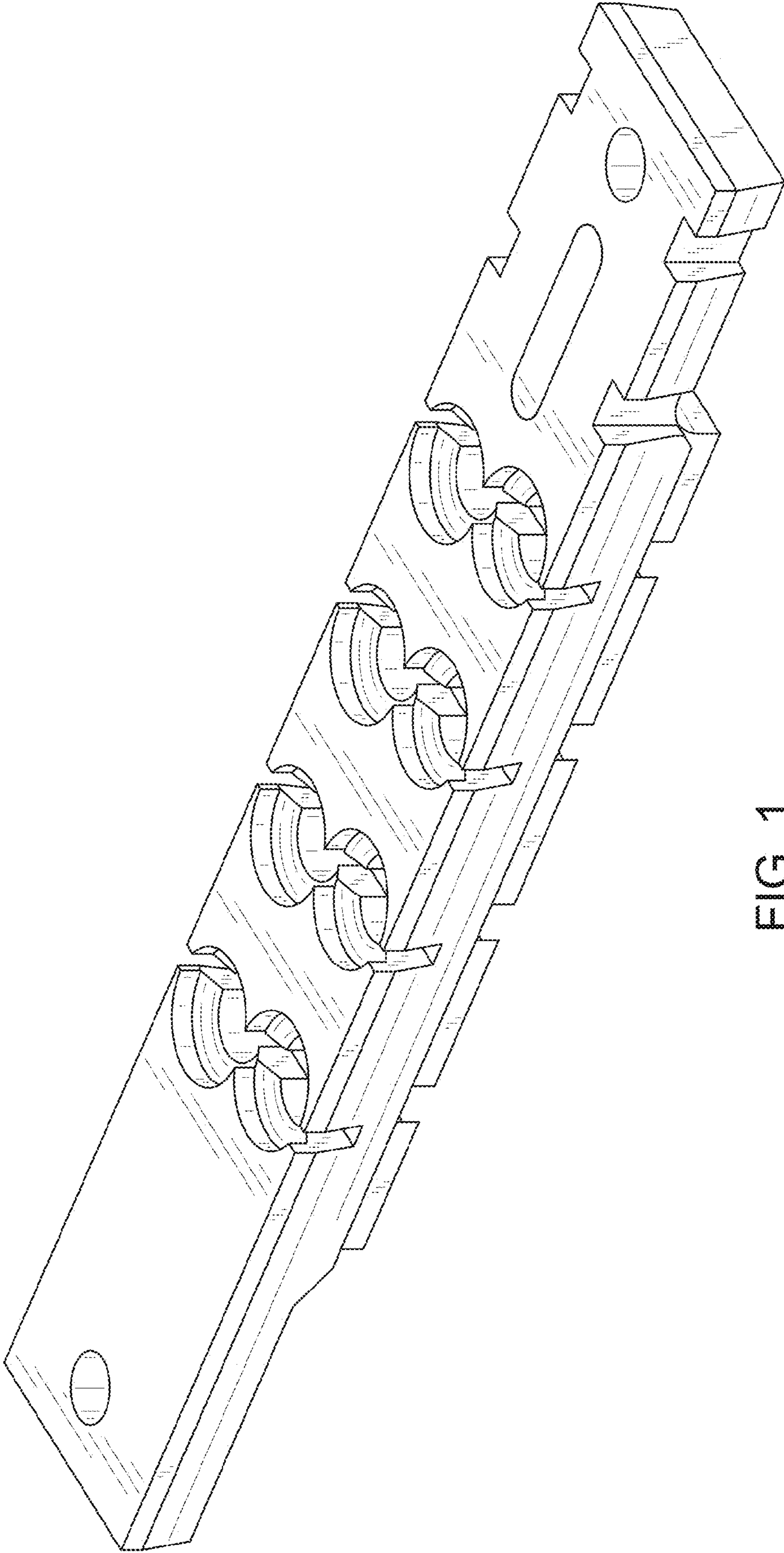


FIG. 1

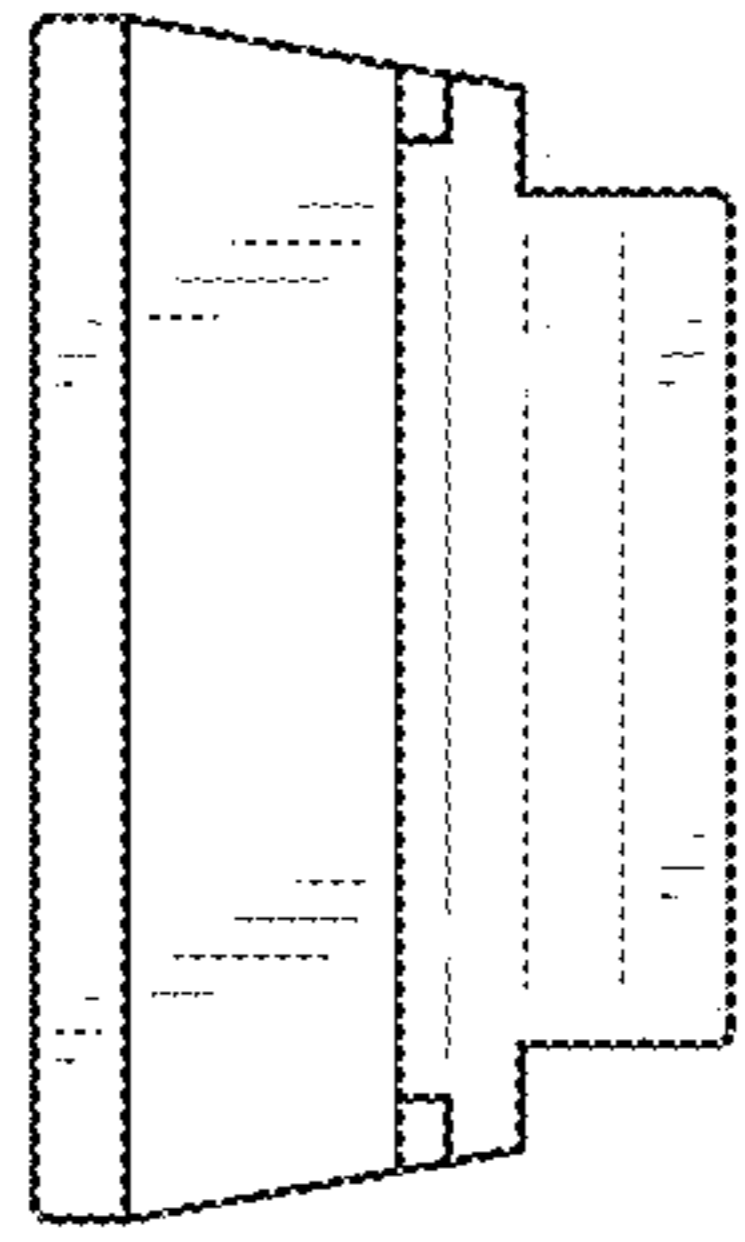


FIG. 2

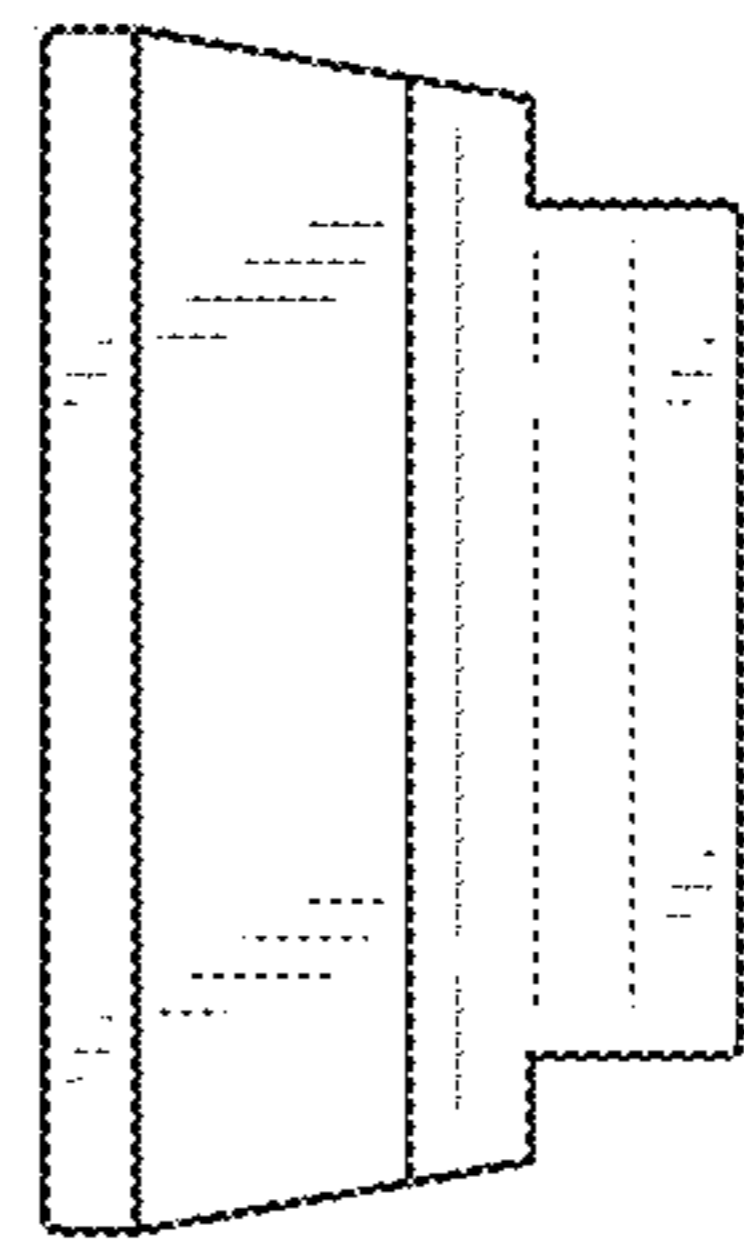


FIG. 3

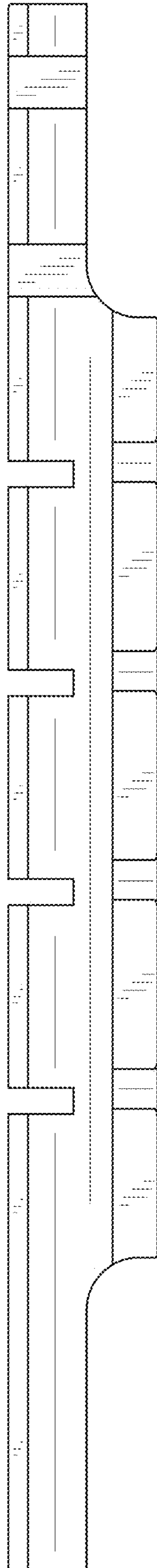


FIG. 4

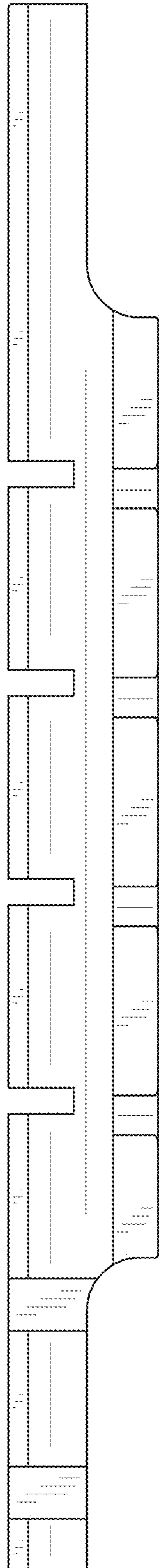


FIG. 5



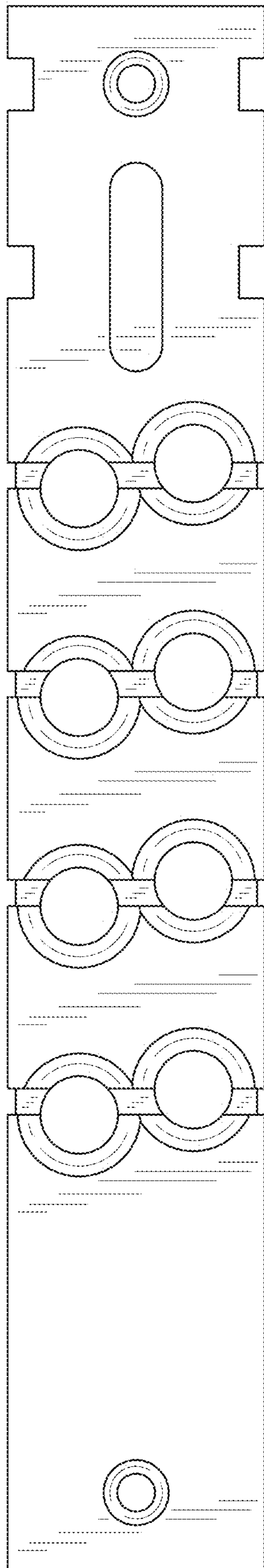


FIG. 6

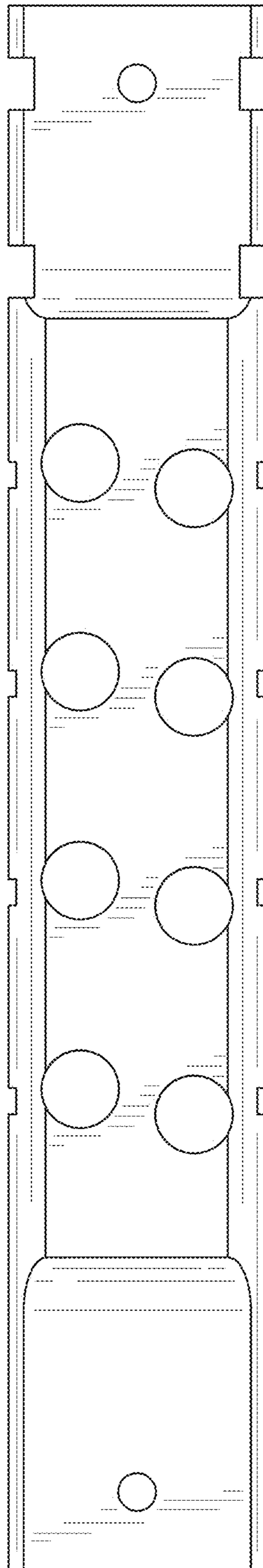


FIG. 7