



US00D871709S

(12) **United States Design Patent** (10) **Patent No.:** **US D871,709 S**
Hogan et al. (45) **Date of Patent:** **** Dec. 31, 2019**

(54) **COLLAPSIBLE DEBRIS CHUTE**
(71) Applicants: **Timothy G. Hogan**, Saugus, MA (US);
Leo T. Guarente, Saugus, MA (US)
(72) Inventors: **Timothy G. Hogan**, Saugus, MA (US);
Leo T. Guarente, Saugus, MA (US)
(**) Term: **15 Years**
(21) Appl. No.: **29/611,610**
(22) Filed: **Jul. 24, 2017**
(51) **LOC (12) Cl.** **12-05**
(52) **U.S. Cl.**
USPC **D34/28**
(58) **Field of Classification Search**
USPC D34/1-11, 28, 35, 38; 193/2 R, 2 A,
193/2 D, 25 A, 30, 5; D15/138; D32/36,
D32/37; 220/9.2, 6, 485; D3/305, 306,
D3/289
CPC B65G 11/026; B65G 11/186; B65G 11/02;
B65G 11/023; B65G 11/083; B65G
11/103; B65G 11/106; B65G 11/146;
B65F 1/1415; B65F 2240/138; B65F
1/163; B65F 1/0066; B65F 1/141; B65F
2220/1063; B65B 67/04
See application file for complete search history.

D365,909 S * 1/1996 Spenceley D34/35
6,431,753 B1 8/2002 Rogers et al.
6,834,995 B1 12/2004 Stevens
6,877,534 B1 4/2005 Hendrickson, Jr. et al.
D505,436 S 5/2005 Griggs et al.
6,994,182 B2 2/2006 Wang
7,648,015 B2 * 1/2010 Gillmore B28C 5/4248
193/5
8,353,416 B2 1/2013 Mueller
9,156,616 B1 * 10/2015 Margino B65G 11/026
9,212,001 B2 * 12/2015 Brandon B65G 11/023
9,296,562 B1 * 3/2016 Van Bogaert B65G 11/02
9,475,641 B1 10/2016 Brandon
D803,915 S * 11/2017 Malmberg D15/138
2004/0262083 A1 12/2004 Wang
2012/0281932 A1 11/2012 Rugheimer

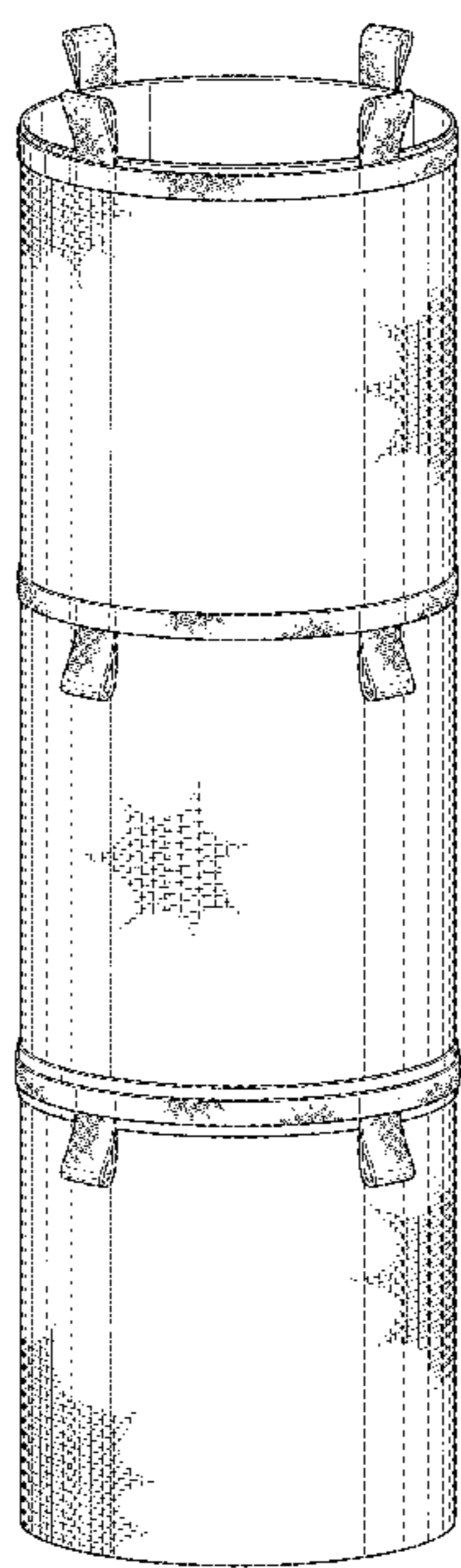
* cited by examiner
Primary Examiner — Gino Colan
(74) *Attorney, Agent, or Firm* — O’Connell Law Firm;
Thomas P. O’Connell

(57) **CLAIM**
The ornamental design for a collapsible debris chute, as
shown and described.

DESCRIPTION
FIG. 1 is a perspective view of a collapsible debris chute
showing our new design;
FIG. 2 is a view in front elevation thereof with the view in
rear elevation being a mirror image thereof;
FIG. 3 is a top plan view thereof; and,
FIG. 4 is a bottom plan view thereof.
The shading in the figures is fragmentarily shown for
convenience of illustration, it being understood that the
shading is uniformly continued over the surface on which it
appears.

1 Claim, 3 Drawing Sheets

(56) **References Cited**
U.S. PATENT DOCUMENTS
240,289 A 4/1881 Walbridge
837,602 A 12/1906 Benenato
3,583,748 A 6/1971 Amdt
4,099,596 A 7/1978 Tracy
D328,174 S * 7/1992 Watkins D34/28
D354,602 S * 1/1995 Goubaud D34/1
5,472,768 A 12/1995 Anson



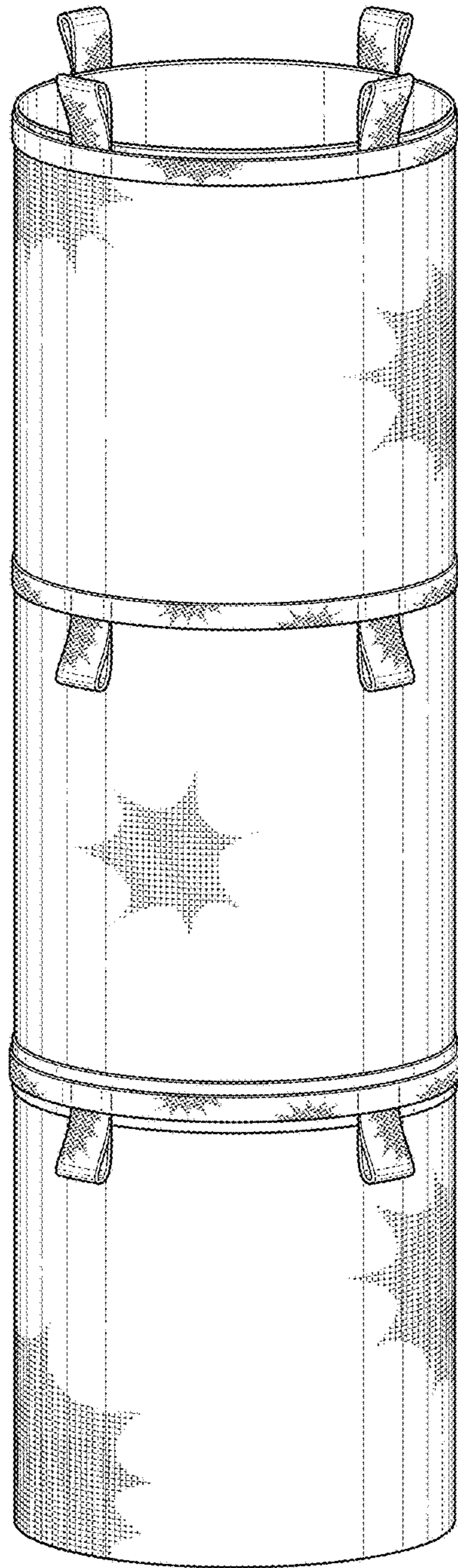


FIG. 1

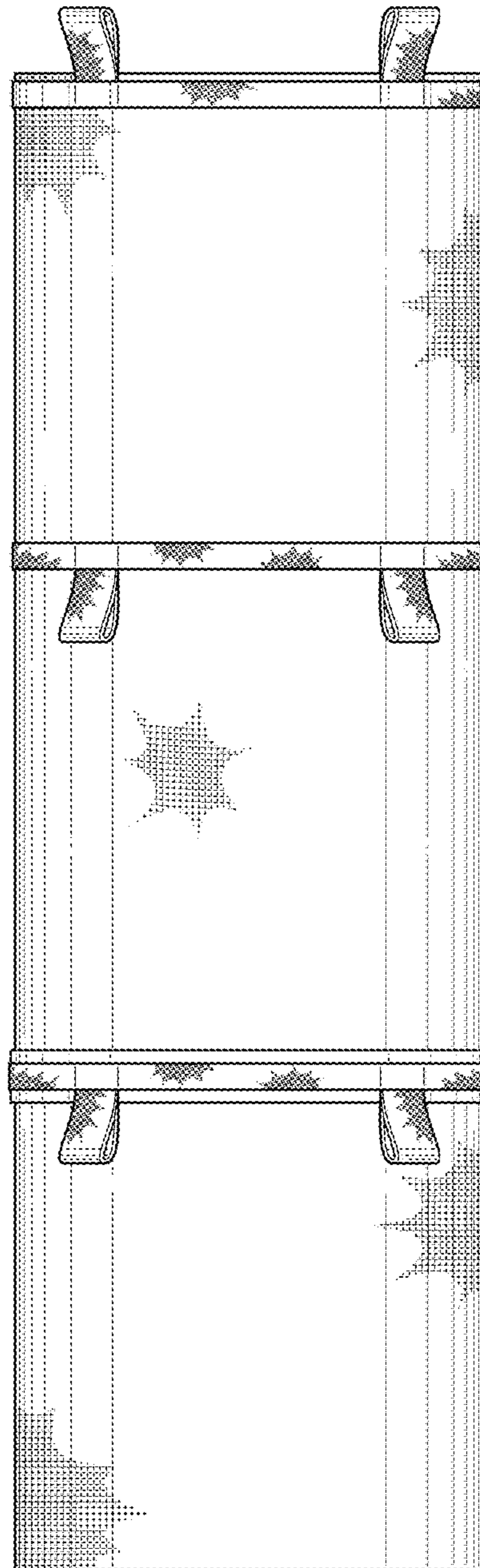


FIG. 2

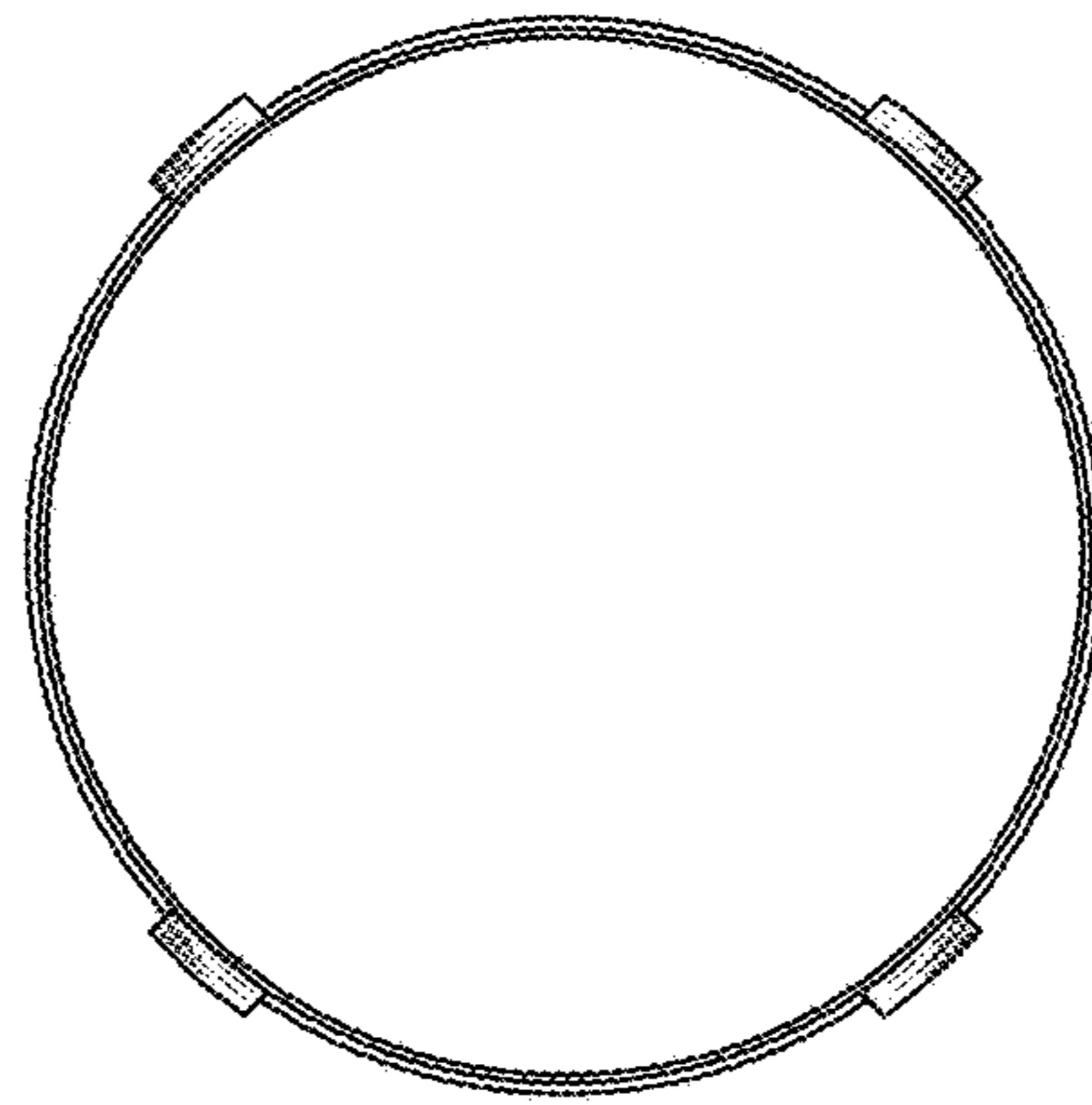


FIG. 3

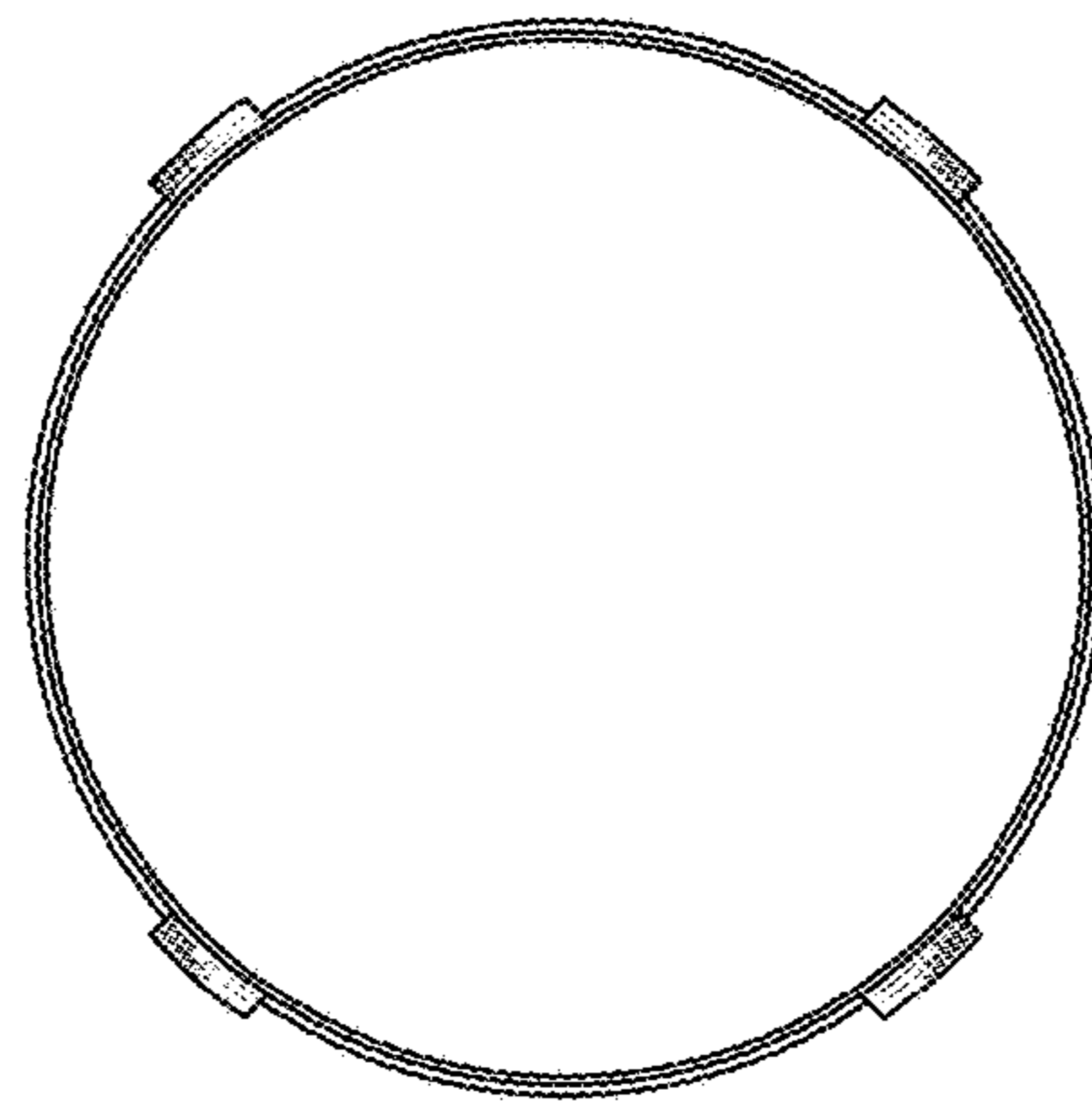


FIG. 4