



US00D871708S

(12) **United States Design Patent** (10) **Patent No.:** **US D871,708 S**
Churchvara et al. (45) **Date of Patent:** **** Dec. 31, 2019**

(54) **BRAKE HANDLE** 2,070,095 A * 2/1937 Shepard, Jr. B62B 3/00
280/47.16
(71) Applicant: **Veltek Associates, Inc.**, Malvern, PA 2,507,732 A 5/1950 Morgan
(US) 2,790,196 A 4/1957 Rideout et al.
3,023,021 A 2/1962 Fricke et al.
(72) Inventors: **Jeffrey Churchvara**, Downingtown, PA 3,125,353 A 3/1964 Gohmann
(US); **Arthur L. Vellutato, Jr.**, 3,137,250 A 6/1964 Hutchinson
Malvern, PA (US); **Yefim Gudesblat**, 3,521,568 A 7/1970 Kato et al.
Exton, PA (US); **Vladislav Gudesblat**, 3,698,733 A 10/1972 Isaacs
Exton, PA (US) 3,759,538 A 9/1973 Fabiano
(Continued)

(73) Assignee: **Veltek Associates, Inc.**, Malvern, PA
(US)

FOREIGN PATENT DOCUMENTS

(**) Term: **15 Years**

DE 202009004554 U1 7/2009
DE 202013102199 U1 6/2013

(Continued)

(21) Appl. No.: **29/630,655**

OTHER PUBLICATIONS

(22) Filed: **Dec. 21, 2017**

Supplementary European Search Report for EP Application No. 15874251, dated Aug. 10, 2018, 8 pages.

(Continued)

Related U.S. Application Data

(60) Division of application No. 29/569,050, filed on Jun. 23, 2016, now Pat. No. Des. 809,730, which is a continuation-in-part of application No. 14/979,330, filed on Dec. 22, 2015.

Primary Examiner — Cynthia Ramirez

(74) *Attorney, Agent, or Firm* — Blank Rome LLP

(51) **LOC (12) Cl.** **12-02**

(57) **CLAIM**

(52) **U.S. Cl.**
USPC **D34/27**

The ornamental design for a brake handle, as shown and described.

(58) **Field of Classification Search**
USPC D34/12, 17, 27; 280/651, 47.18, 47.27,
280/47.34, 33.996, 33.991, 33.994
CPC B62B 3/12; B62B 3/005; B62B 3/1404;
B62B 3/02; B62B 3/002; B62B 3/14;
B62B 3/001; B62B 3/022; B62B 3/027
See application file for complete search history.

DESCRIPTION

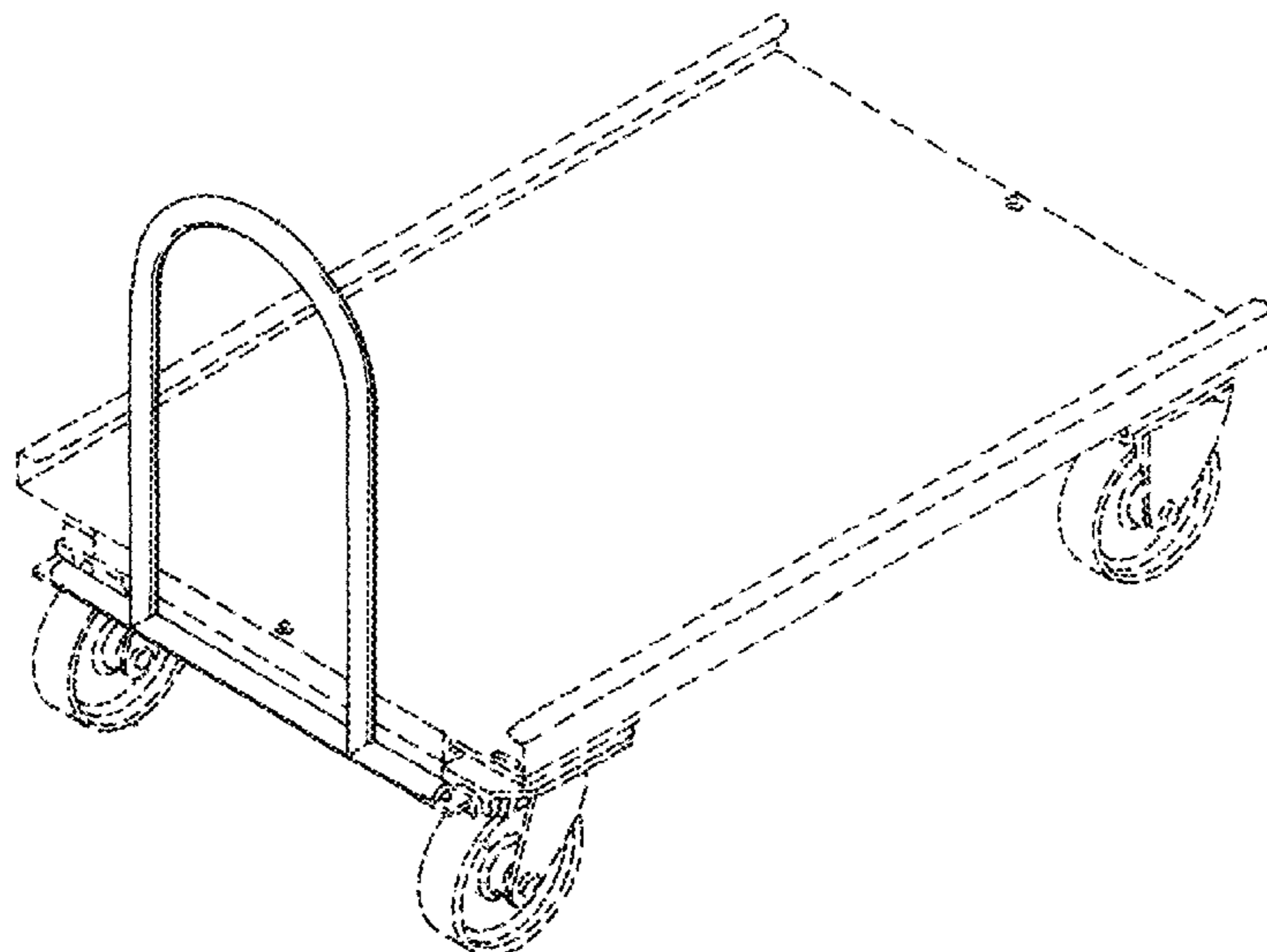
FIG. 1 is a front perspective view of a brake handle showing our new design;
FIG. 2 is a rear perspective view thereof;
FIG. 3 is a front view thereof;
FIG. 4 is a rear view thereof;
FIG. 5 is a left-side view thereof;
FIG. 6 is a right-side view thereof;
FIG. 7 is a top view thereof; and,
FIG. 8 is a bottom view thereof.

(56) **References Cited**

U.S. PATENT DOCUMENTS

274,258 A 3/1883 Bedell
1,750,129 A 3/1930 Romine

1 Claim, 6 Drawing Sheets



(56)

References Cited

U.S. PATENT DOCUMENTS

3,785,669 A * 1/1974 Doheny B62B 1/002
280/47.18

3,869,052 A 3/1975 Leahy

3,934,895 A 1/1976 Fox

4,077,644 A * 3/1978 Roby B62B 3/00
280/47.34

4,109,926 A 8/1978 Lane

4,222,580 A 9/1980 Krokonko

4,354,791 A 10/1982 Antonellis

4,436,700 A 3/1984 Erickson

4,458,906 A * 7/1984 Lamson B62B 3/00
280/47.34

4,557,201 A 12/1985 Webb, Jr.

4,670,227 A 6/1987 Smith

4,687,404 A 8/1987 Seiz et al.

4,819,767 A 4/1989 Laird

5,072,960 A 12/1991 Sperko

5,175,014 A 12/1992 Brockwell et al.

5,236,066 A 8/1993 O'Neal et al.

D340,335 S * 10/1993 Kean D34/17

5,312,004 A 5/1994 Krummell et al.

5,421,604 A 6/1995 Wu

D363,588 S * 10/1995 Bancroft D34/12

5,735,367 A 4/1998 Brubaker

D395,113 S * 6/1998 Pingel D34/27

5,758,888 A 6/1998 Burgan et al.

6,024,376 A * 2/2000 Golichowski B62B 3/022
16/35 R

6,027,190 A 2/2000 Stewart et al.

6,036,219 A * 3/2000 Oefelein B62B 3/02
280/35

6,042,127 A 3/2000 Rupolo

6,095,348 A 8/2000 Karashima

6,247,769 B1 6/2001 Spitzer et al.

6,308,967 B1 * 10/2001 Stallbaumer B62B 1/002
280/47.18

6,394,743 B1 5/2002 Marsden et al.

6,398,283 B1 6/2002 Knudtson et al.

6,416,143 B1 7/2002 Janson

6,695,564 B2 2/2004 Pfisterer

D521,709 S * 5/2006 Johnson D34/24

D523,201 S * 6/2006 Widmer D34/12

7,673,889 B2 3/2010 Wells et al.

D618,421 S * 6/2010 Catron D34/27

D618,422 S * 6/2010 Catron D34/27

8,033,554 B2 * 10/2011 Vieira B62B 9/28
280/47.34

8,104,775 B2 1/2012 Hadar et al.

9,108,661 B2 8/2015 Suess

D779,145 S * 2/2017 Thuma D34/17

D787,770 S * 5/2017 Thuma D34/17

9,738,465 B2 8/2017 Berghammer

D855,274 S * 7/2019 Kopp D34/17

D856,620 S * 8/2019 Walter D34/17

2002/0109368 A1 8/2002 Mink et al.

2003/0205873 A1 * 11/2003 Orozco B60B 33/0002
280/33.991

2003/0205875 A1 11/2003 Ondrasik et al.

2003/0205878 A1 11/2003 Martis et al.

2004/0011000 A1 1/2004 Lagerstedt

2004/0207168 A1 10/2004 Raab et al.

2005/0012286 A1 1/2005 Woodrow

2005/0023782 A1 * 2/2005 Nogaki B62B 1/12
280/47.27

2007/0216116 A1 * 9/2007 Gallea A47B 85/06
280/47.36

2007/0272518 A1 11/2007 Gaarden et al.

2008/0042378 A1 2/2008 Dick et al.

2008/0088082 A1 * 4/2008 Iino B62B 3/04
271/214

2009/0200773 A1 * 8/2009 Riddiford A45C 3/04
280/651

2011/0175307 A1 * 7/2011 Tsai B62B 1/002
280/47.18

2012/0153584 A1 * 6/2012 Ryan B62B 1/004
280/33.991

2012/0315117 A1 12/2012 Gilland

2014/0375005 A1 * 12/2014 Lin B62B 3/02
280/86.5

2015/0014965 A1 * 1/2015 Gibson B62B 1/002
280/651

2016/0101948 A1 4/2016 Berghammer

2017/0072978 A1 * 3/2017 Kopp B62B 5/067

2017/0259837 A1 * 9/2017 Arreola B62B 3/02

2017/0349198 A1 * 12/2017 DePadro B62B 3/104

2017/0349326 A1 * 12/2017 Zhou B65D 19/0093

2018/0029623 A1 * 2/2018 Kalinowski B62B 3/02

2018/0037244 A1 * 2/2018 Jian B62B 3/02

FOREIGN PATENT DOCUMENTS

EP 0314176 A2 5/1989

GB 674662 A 6/1952

JP 58-095735 U 10/1955

JP 57-73269 5/1982

JP 58-95735 U 6/1983

JP 60-6667 1/1985

JP 1995-231523 A 8/1995

JP 2005125858 A 5/2005

KP 10-2012-0081892 A 7/2012

OTHER PUBLICATIONS

English-language Translation of Japanese Office Action for JP2017-534327, dated May 16, 2018, 3 pages.

International Search Report and Written Opinion issued in PCT/US2015/067110 dated May 20, 2016, 12 pages.

English-language Summary of Office Action for KR-10-2017-7014768, dated Feb. 1, 2018, 1 page.

English-language translation of Office Action for Chinese Patent Application No. 201580069038.7, dated Sep. 4, 2018, 5 pages.

International Search Report and Written Opinion for PCT/US18/38712, cated Aug. 3, 2018, 11 pages.

Korean Office Action for KR-10-2017-7014768, dated Sep. 3, 2018, 8 pages.

Examination Report for New Zealand Application No. 732617, dated Jul. 25, 2018, 3 pages.

* cited by examiner

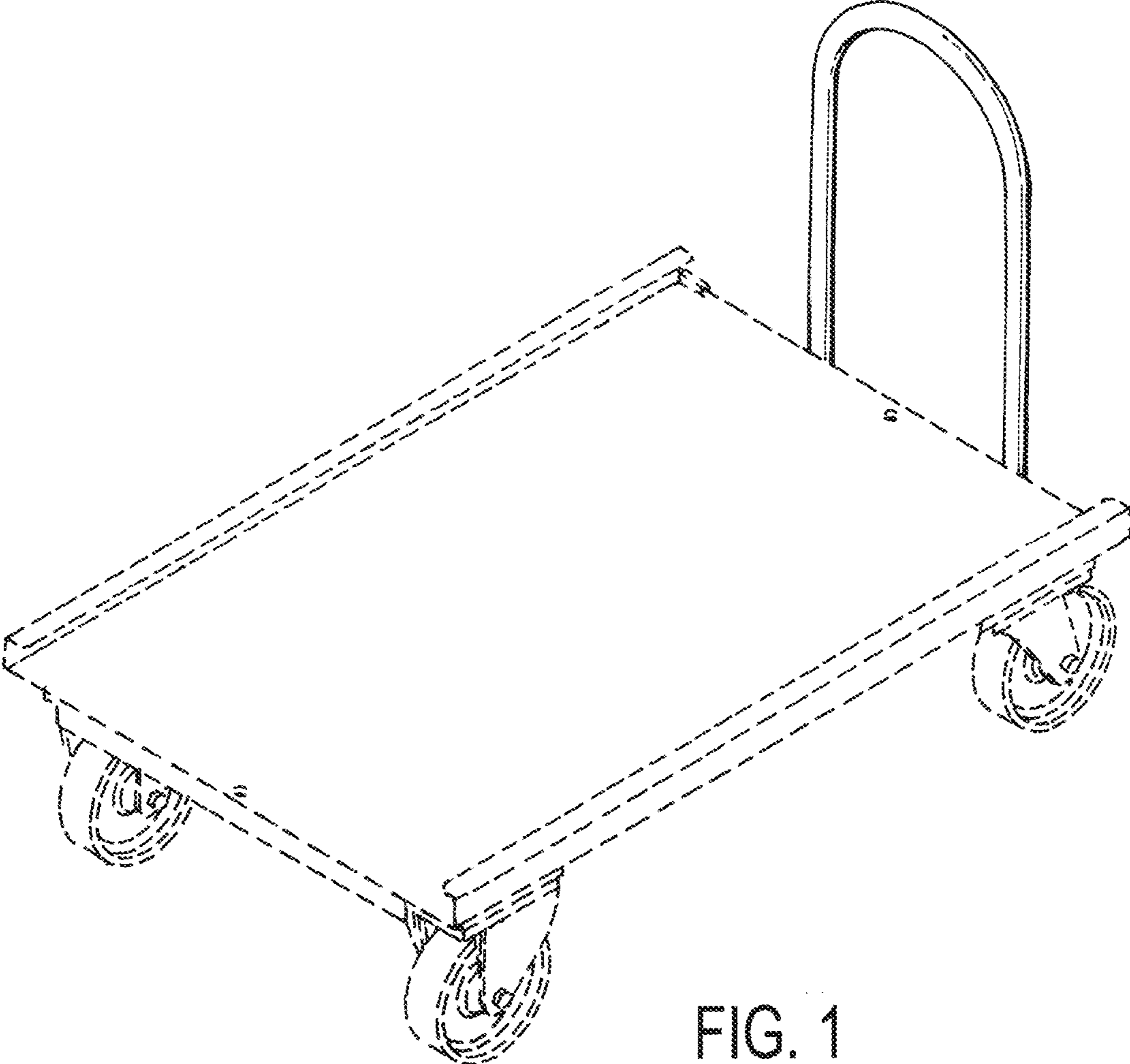


FIG. 1

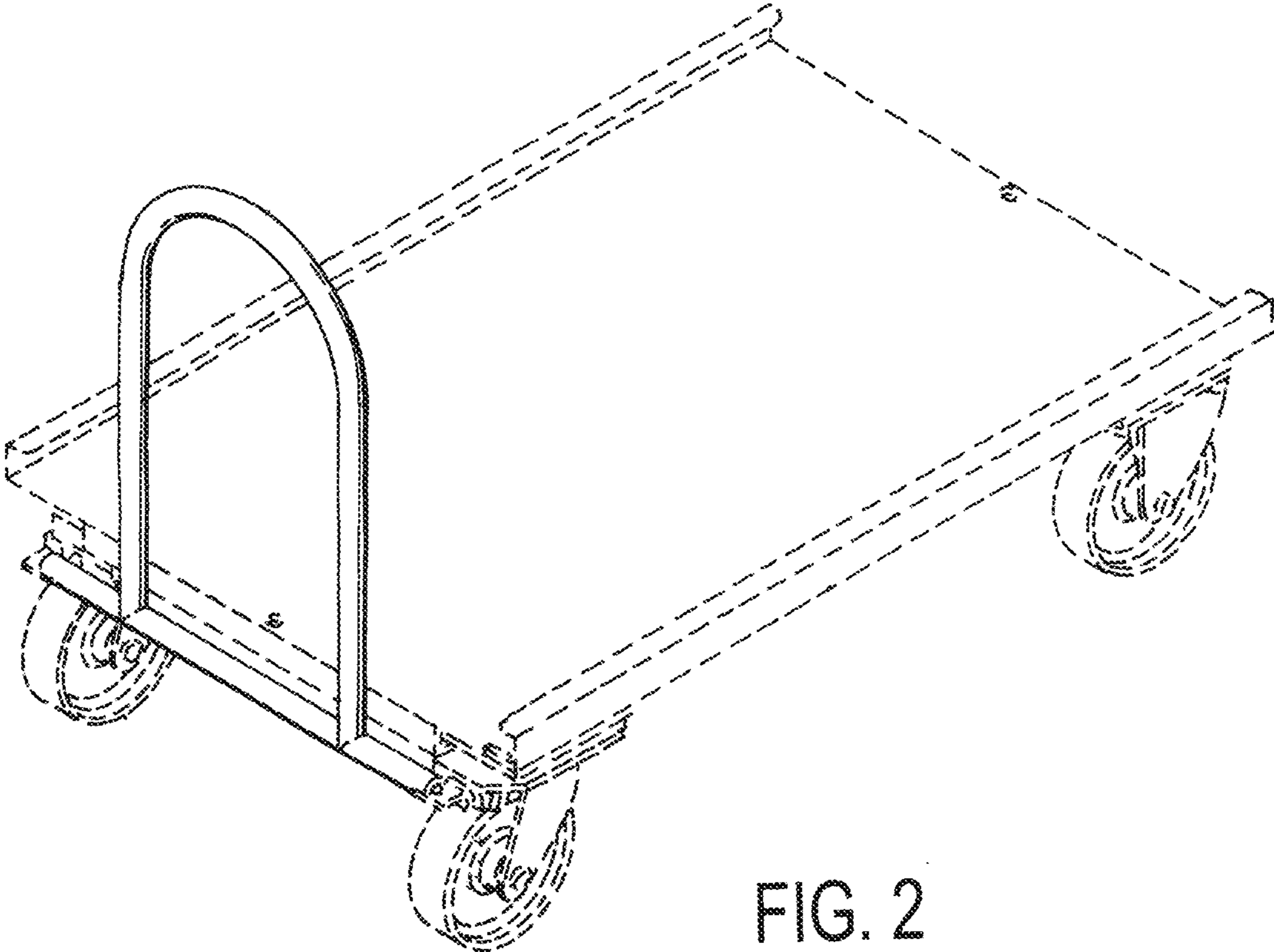


FIG. 2

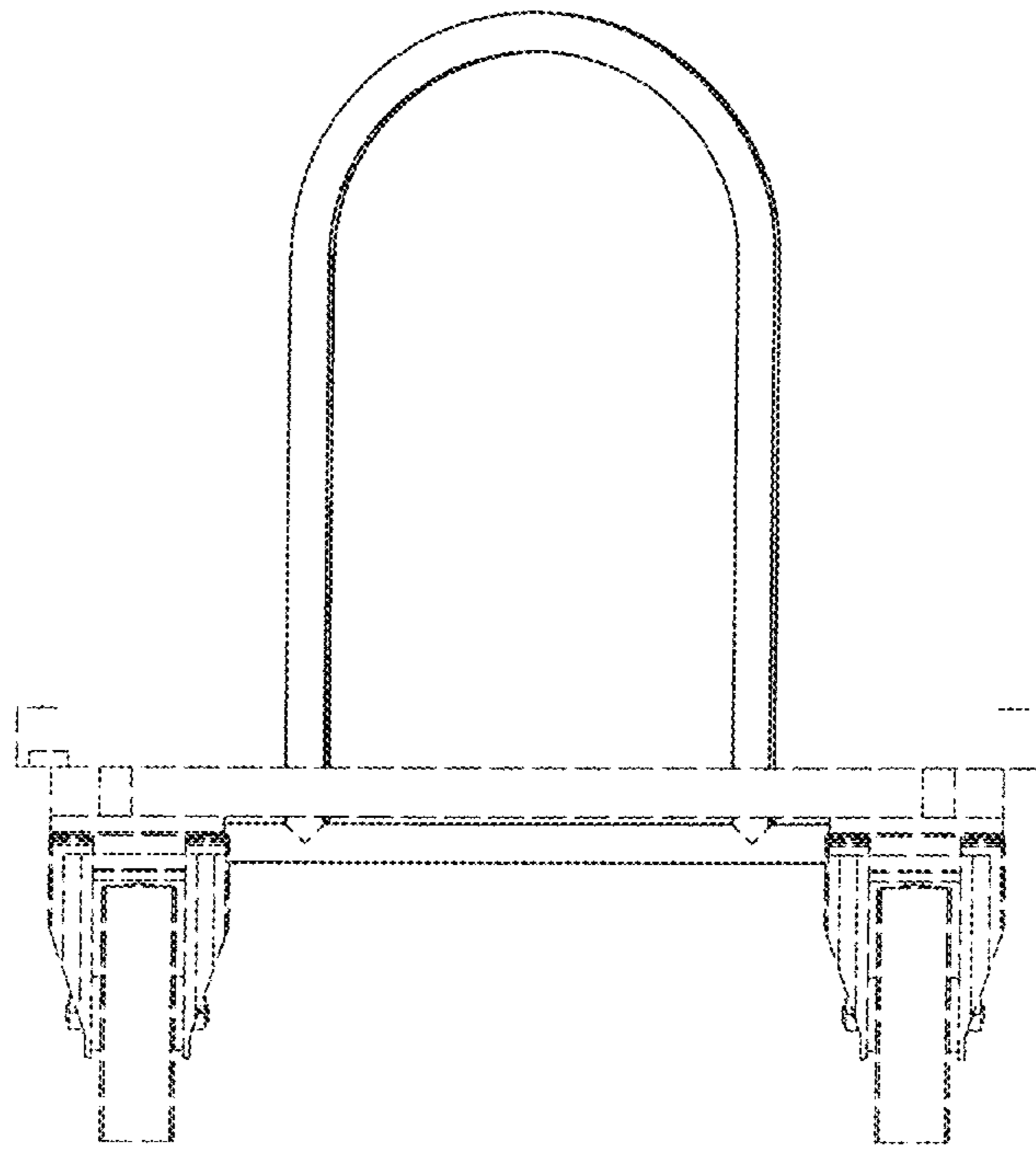


FIG. 3

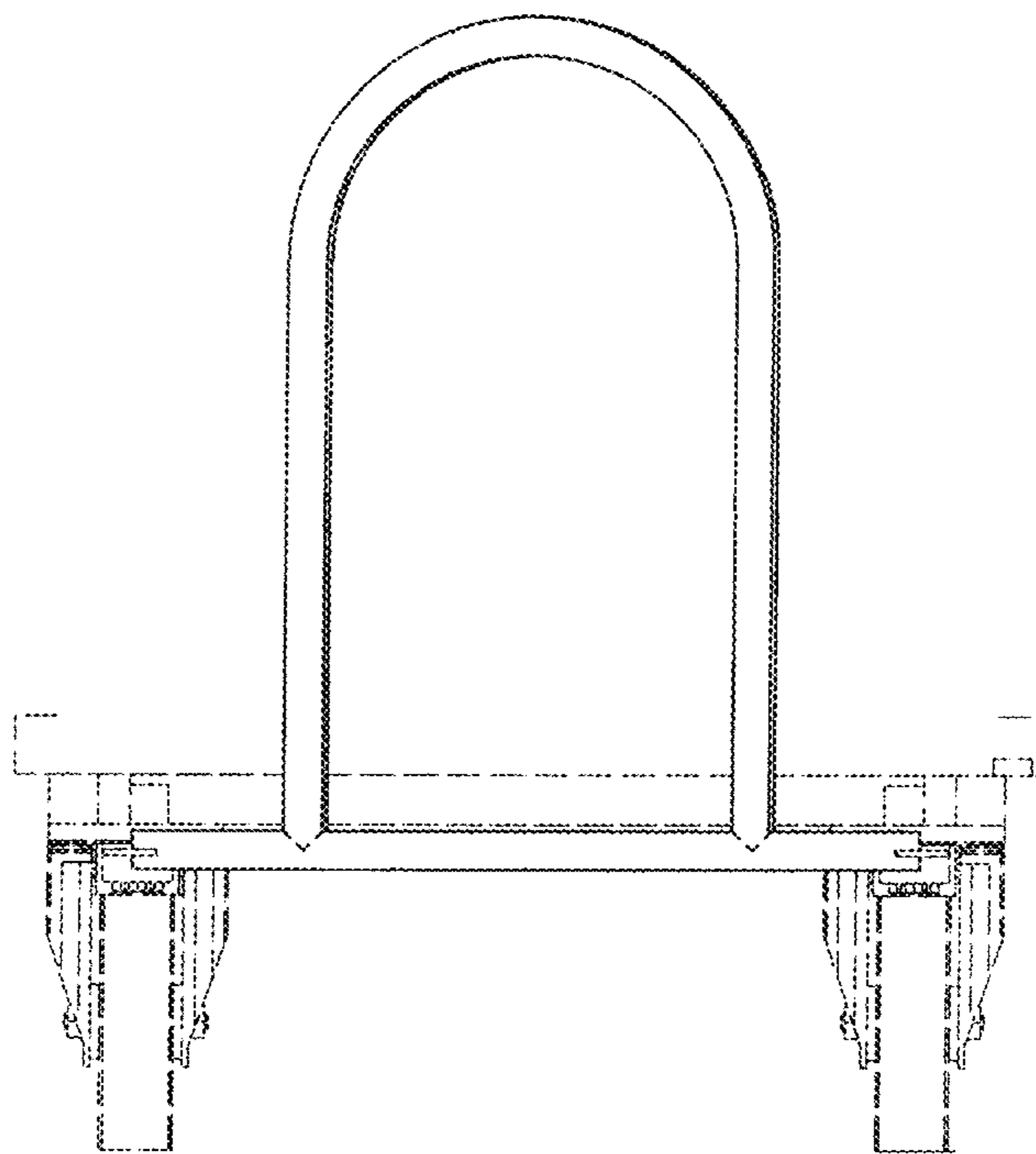


FIG. 4

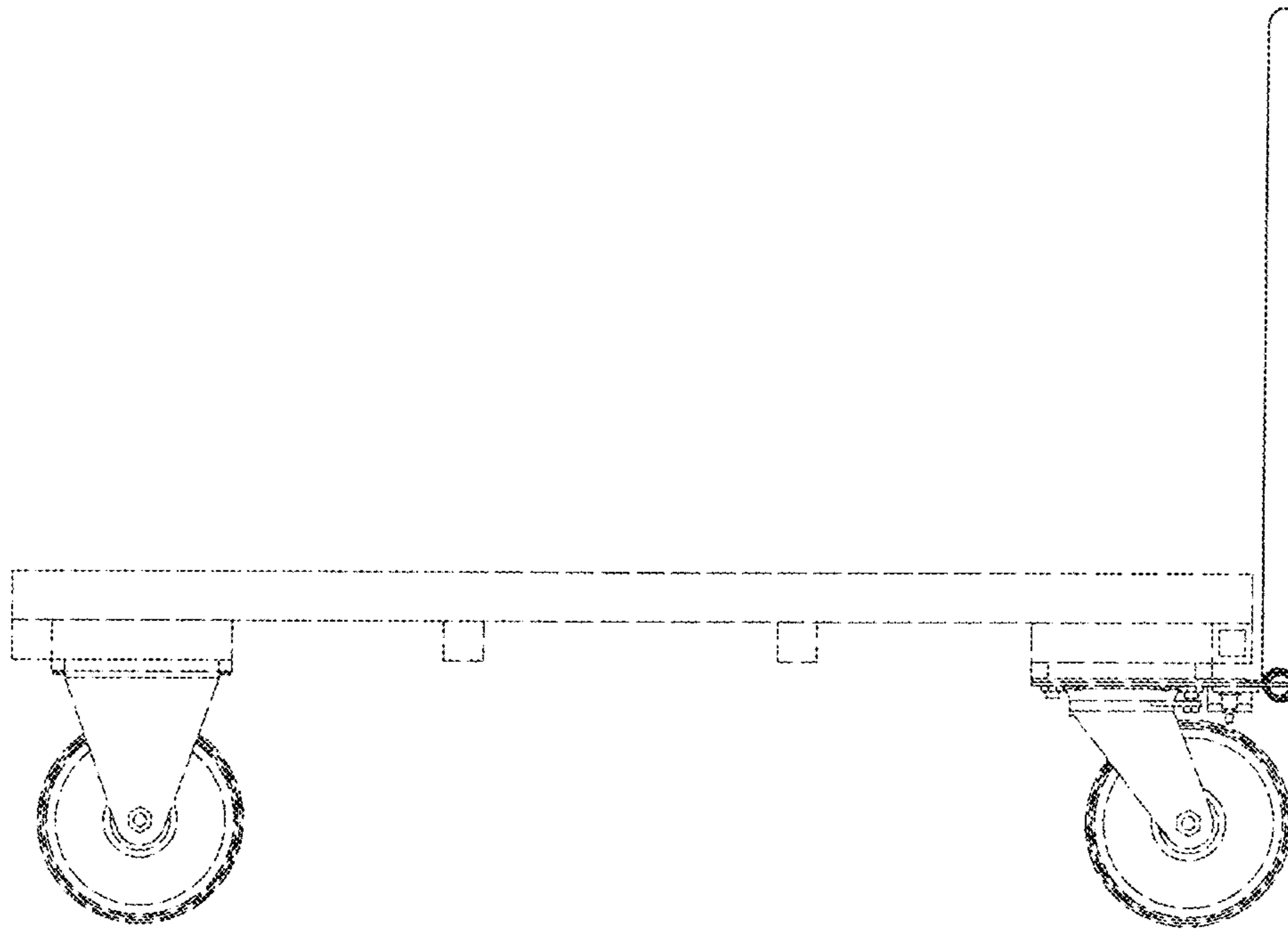


FIG. 5

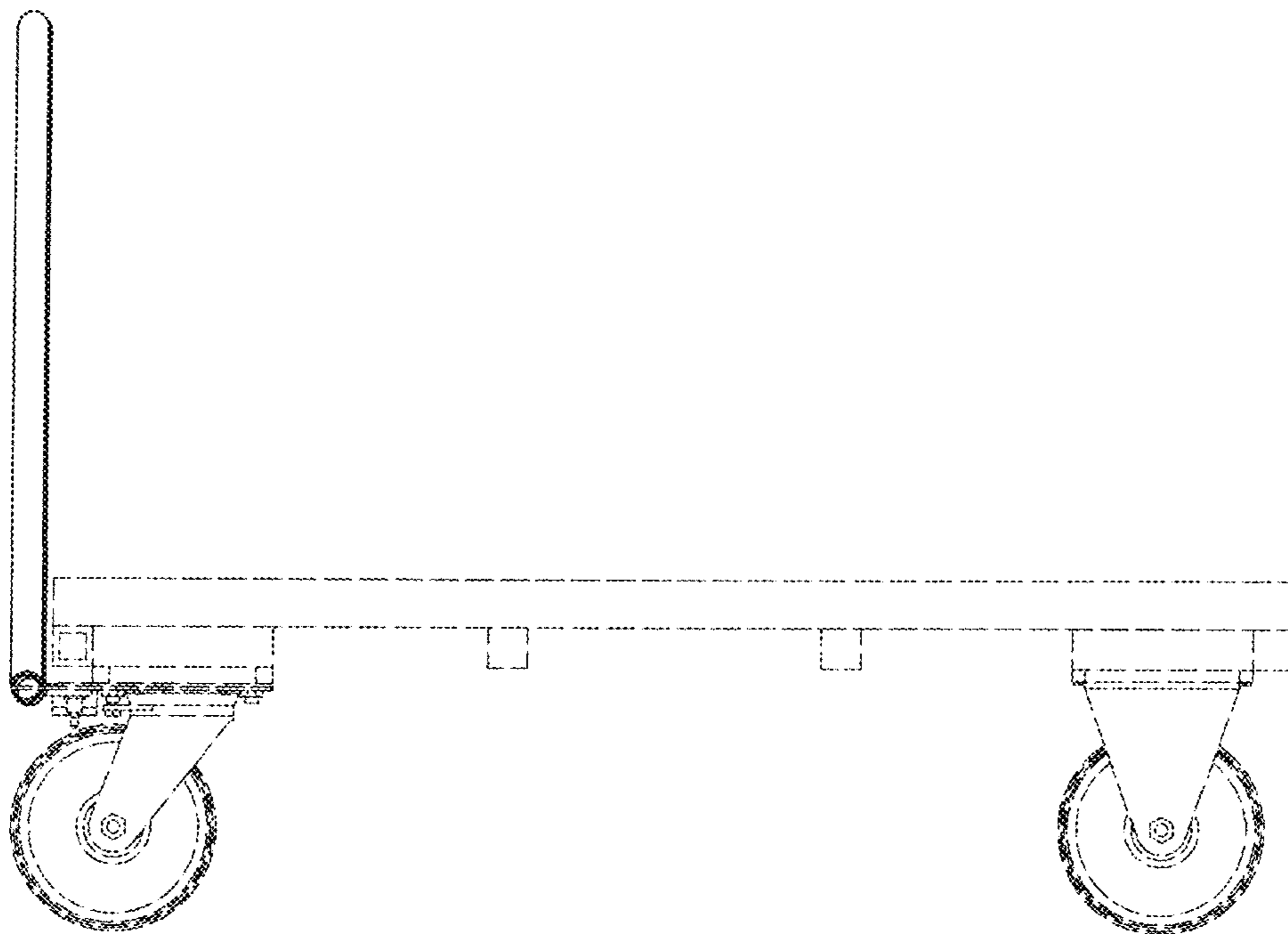


FIG. 6

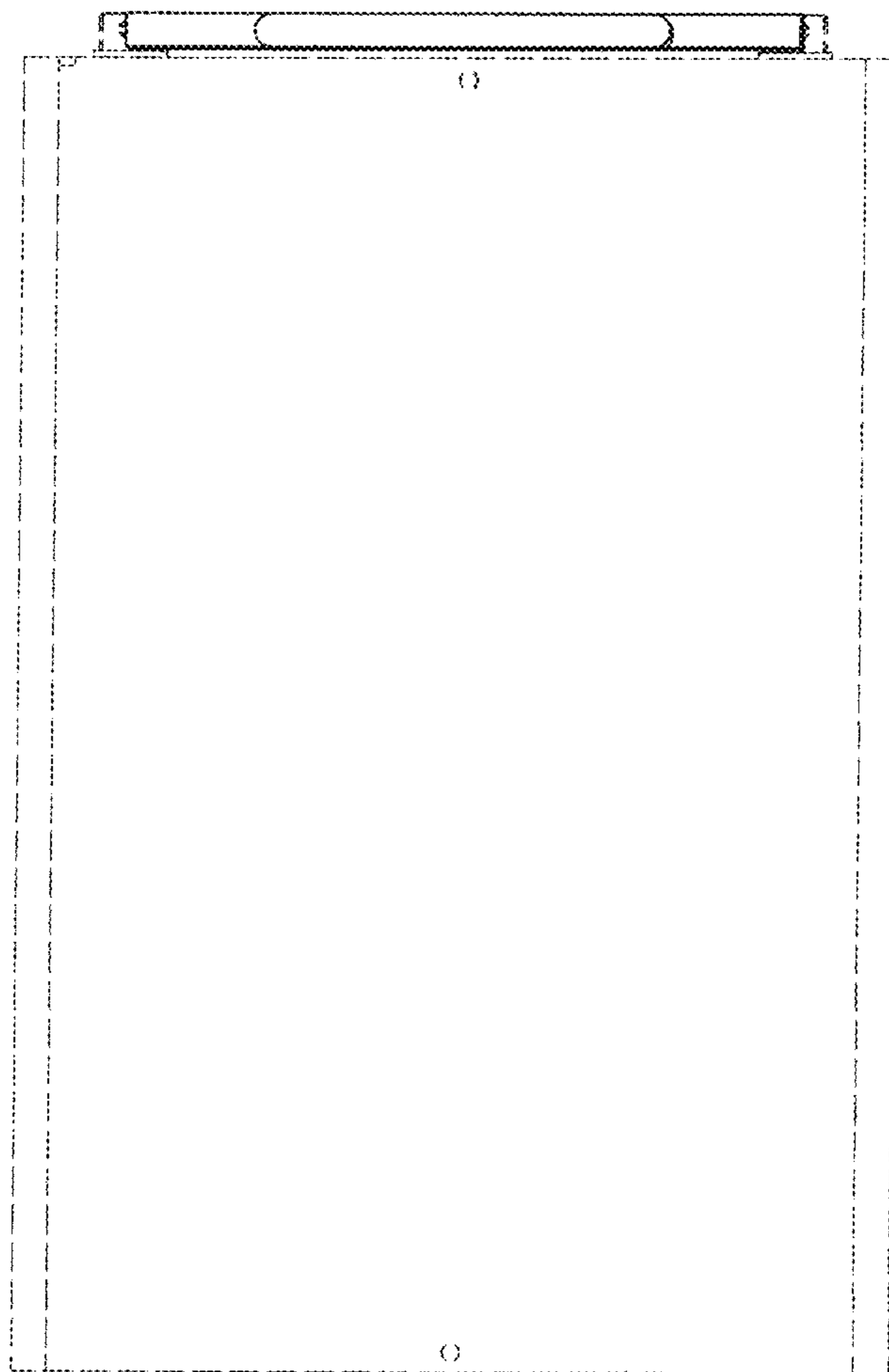


FIG. 7

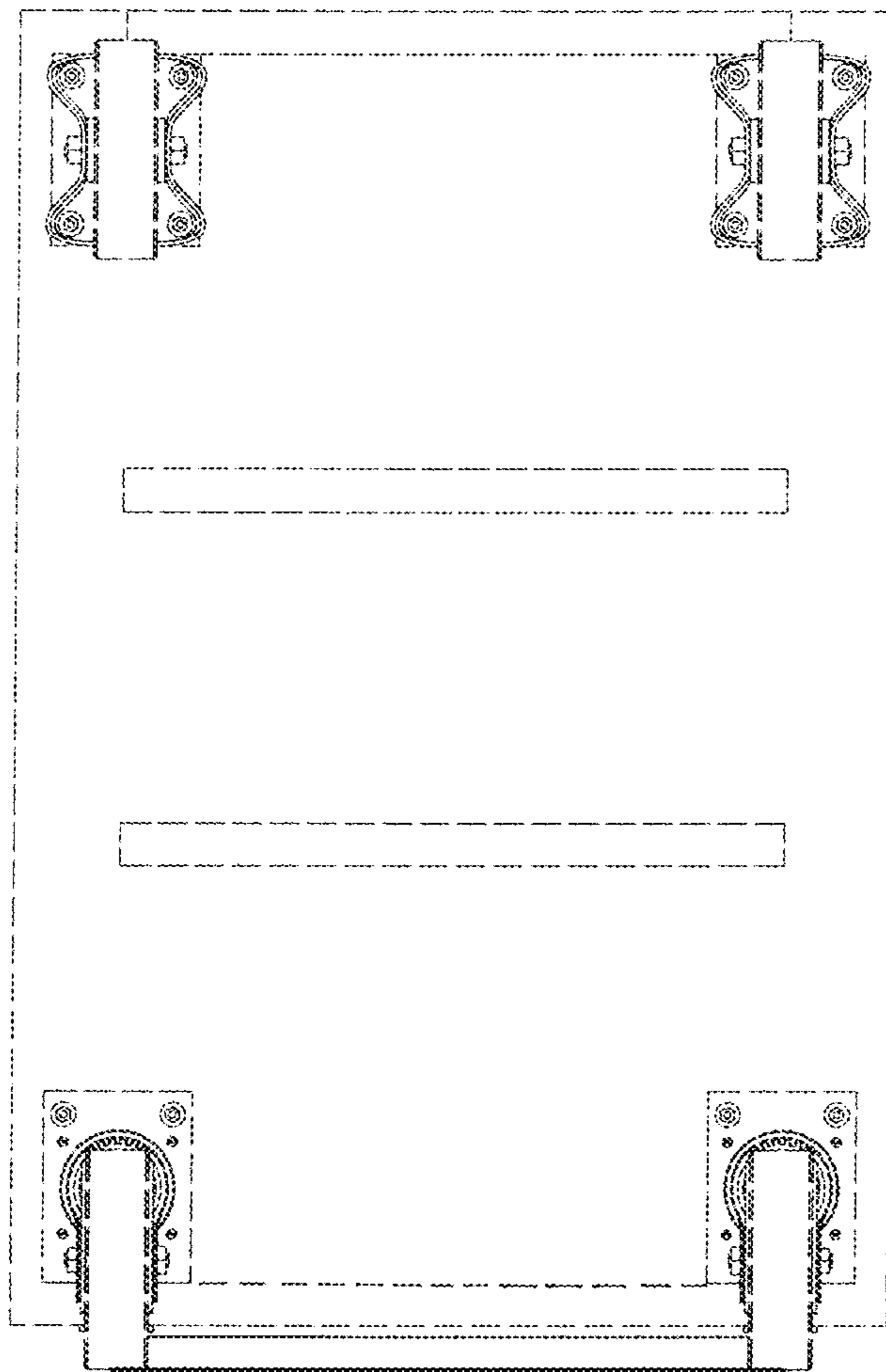


FIG. 8