



US00D871707S

(12) **United States Design Patent** (10) **Patent No.:** **US D871,707 S**
Chen (45) **Date of Patent:** **** Dec. 31, 2019**

(54) **SENSOR TRASH CAN RIM**
(71) Applicant: **EKO DEVELOPMENT LTD.,**
Guangzhou (CN)
(72) Inventor: **Yizhi Chen,** Guangzhou (CN)
(73) Assignee: **EKO Development Limited,**
Guangzhou (CN)

D566,367 S * 4/2008 Lin D34/7
D568,571 S * 5/2008 Lin D34/9
D571,520 S 6/2008 Lin
D572,423 S * 7/2008 Lin D34/9
D580,120 S * 11/2008 Lin D34/7
D580,613 S * 11/2008 Yang D34/7
D627,533 S 11/2010 Yang et al.
D631,221 S * 1/2011 Yang D34/9
D644,390 S 8/2011 Smeets et al.

(Continued)

(**) Term: **15 Years**

OTHER PUBLICATIONS

(21) Appl. No.: **29/640,599**

Ekousa, "MONIA Motion Sensor Trash Can", Jul. 30, 2019. <https://www.ekousa.com/shop-all/monia-rectangular-motion-sensor-trash-can/>. Shown on p. 1. (Year: 2019).*

(22) Filed: **Mar. 15, 2018**

(Continued)

(51) **LOC (12) Cl.** **09-09**

(52) **U.S. Cl.**
USPC **D34/7**

(58) **Field of Classification Search**
USPC D23/202, 203, 207; D34/1, 2, 3, 4, 5, 6,
D34/7, 8, 9, 10, 11, 39; 220/252, 62.13,
220/484, 569, 4.04, 703, 737, 748, 908,
220/908.1, 908.2, 909, 495.08, 211, 262,
220/263, 212; D9/737, 738, 770, 772,
D9/777, 778

CPC B65F 1/1615; B65F 1/16; B65F 1/004;
B62B 2202/20

See application file for complete search history.

Primary Examiner — Cynthia Ramirez
Assistant Examiner — Michael A Maharajh
(74) *Attorney, Agent, or Firm* — William Dippert;
Laurence Greenberg; Werner Stemer

(57) **CLAIM**

The ornamental design for a sensor trash can rim, as shown and described.

DESCRIPTION

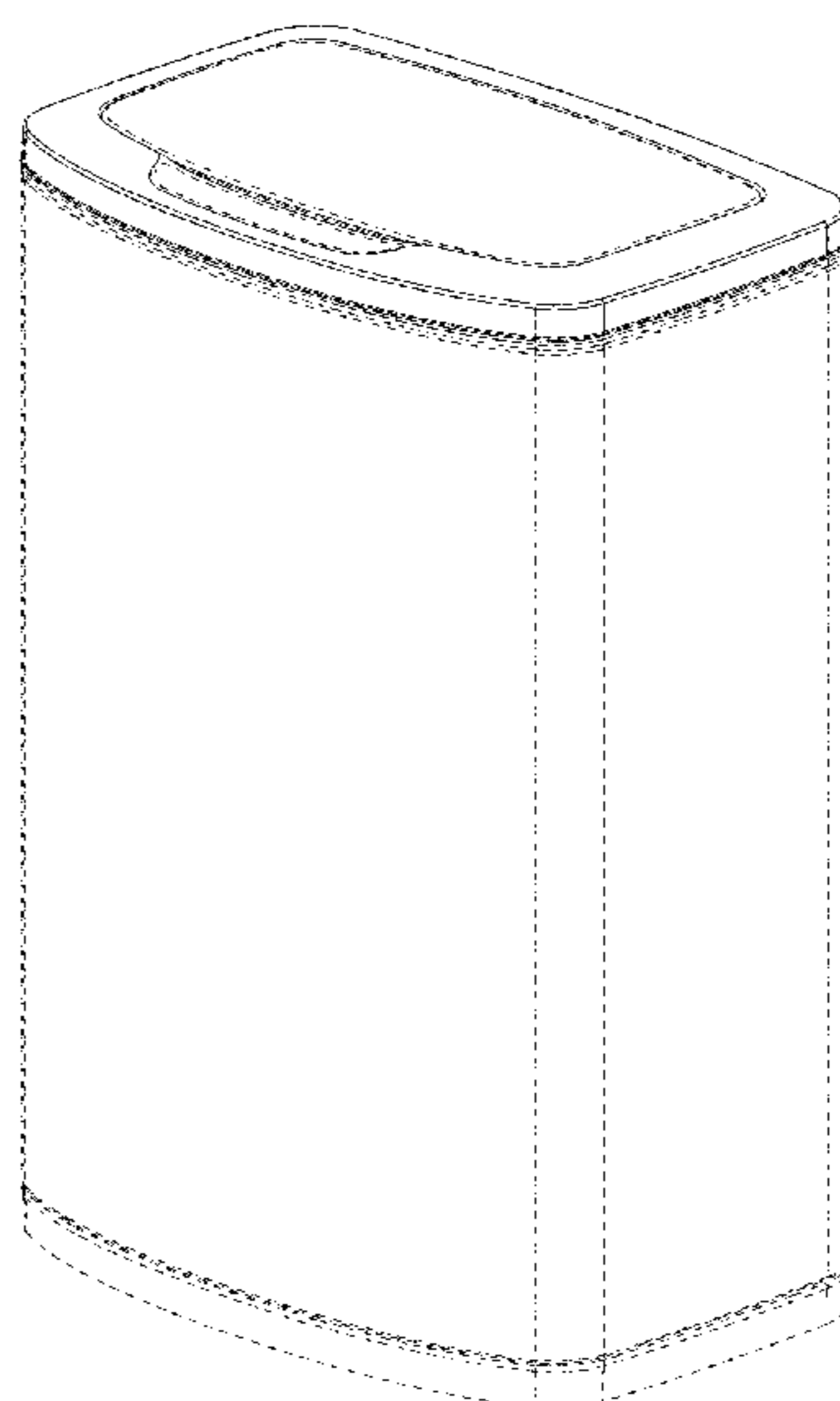
FIG. 1 is a perspective view of a sensor trash can rim, showing my new design.
FIG. 2 is a top plan view thereof.
FIG. 3 is a rear elevation view thereof.
FIG. 4 is a left-side elevation view thereof.
FIG. 5 is a front elevation view thereof.
FIG. 6 is a bottom plan view thereof;
FIG. 7 is a right-side elevation view thereof; and,
FIG. 8 is a cross-section along the line 8--8 in FIG. 2.
The broken lines shown in the drawings are for the purpose of illustrating portions of the sensor trash can rim which form no part of the claimed design.

1 Claim, 8 Drawing Sheets

(56) **References Cited**

U.S. PATENT DOCUMENTS

D246,090 S 10/1977 Gault
D335,562 S 5/1993 Evans
5,242,074 A 9/1993 Conaway et al.
D342,817 S * 12/1993 Lippisch D34/1
D343,709 S 1/1994 Doty et al.
6,345,725 B1 2/2002 Lin
D472,357 S 3/2003 Stewart
D482,169 S 11/2003 Lin
D527,155 S 8/2006 Fankhauser
D533,703 S * 12/2006 Lin D34/7
D552,321 S 10/2007 Yang et al.



(56)

References Cited

U.S. PATENT DOCUMENTS

D644,806 S 9/2011 Yang et al.
 D657,108 S 4/2012 Yang et al.
 D657,109 S 4/2012 Liao
 D675,802 S 2/2013 Yang et al.
 8,820,566 B2 9/2014 Ude
 D719,313 S 12/2014 Kao
 D720,513 S 12/2014 Yang et al.
 D725,861 S 3/2015 Yang et al.
 D727,583 S * 4/2015 Yang D34/7
 D730,007 S * 5/2015 Machen D34/1
 D730,008 S 5/2015 Yang et al.
 D734,912 S * 7/2015 Ho D34/7
 D754,413 S 4/2016 Wall
 D759,934 S 6/2016 Yang et al.
 D762,037 S * 7/2016 Chen D34/7
 D765,937 S * 9/2016 Chen D34/7
 D771,344 S 11/2016 Yang et al.
 D773,145 S 11/2016 Yang et al.
 D773,769 S * 12/2016 Chen D34/9
 D790,145 S * 6/2017 Chen D34/7
 D793,642 S 8/2017 Yang et al.
 D796,766 S * 9/2017 Chen D34/7
 D798,016 S 9/2017 Yang et al.
 D809,729 S * 2/2018 Chen D34/7

D830,659 S * 10/2018 Greenspon D34/9
 D837,473 S * 1/2019 Magnuson D34/9
 D841,275 S * 2/2019 Chen D34/9
 D845,576 S * 4/2019 Lu D34/9
 D851,350 S * 6/2019 Lu D34/9
 D853,066 S * 7/2019 Liao D34/9
 D853,067 S * 7/2019 Chen D34/9
 D853,068 S * 7/2019 Chen D34/9
 2011/0017735 A1 * 1/2011 Wang B65F 1/1607
 220/211
 2011/0049149 A1 * 3/2011 Shih B65F 1/1607
 220/260
 2011/0139781 A1 * 6/2011 Jin B65F 1/1607
 220/254.5

OTHER PUBLICATIONS

Belson Outdoors "Durable Two-Piece Fiberglass Trash Receptacle", <http://www.belson.com/Open-Top-Lift-Off-20-Gallon-Round-Fiberglass-Trash-Can>. Jun. 6, 2017. shown in p. 1, Model FG1829 TPL.

Amazon "Simplehuman Bullet Open Trash Can", https://www.amazon.com/simplehuman-Bullet-Trash-Commercial-Stainless/dp/B000BHUHP0/ref=cm_cr_ar_p_d_product_top?ie=UTF8. Apr. 17, 2008. shown in p. 1, Model No. CW1407.

* cited by examiner

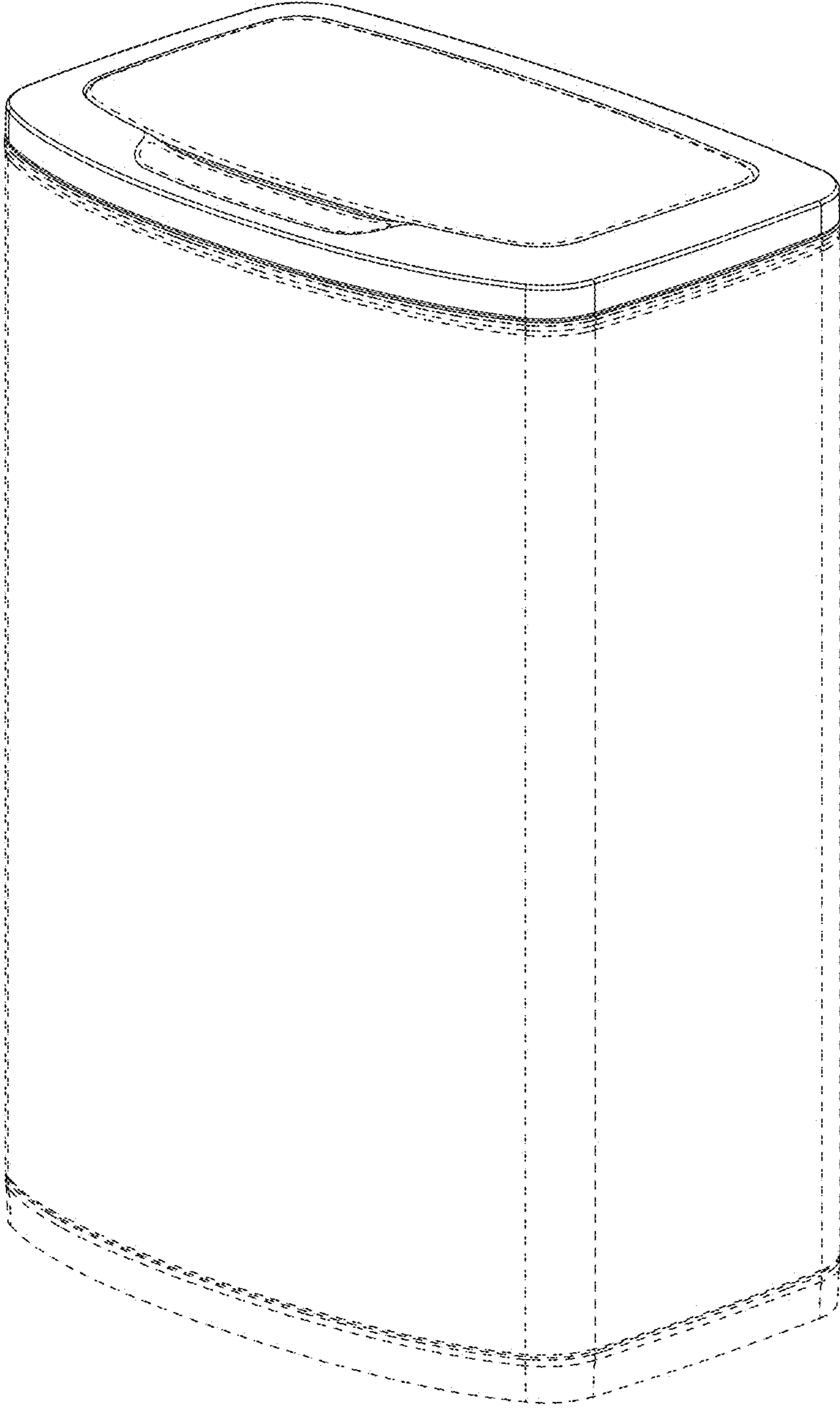


FIG. 1

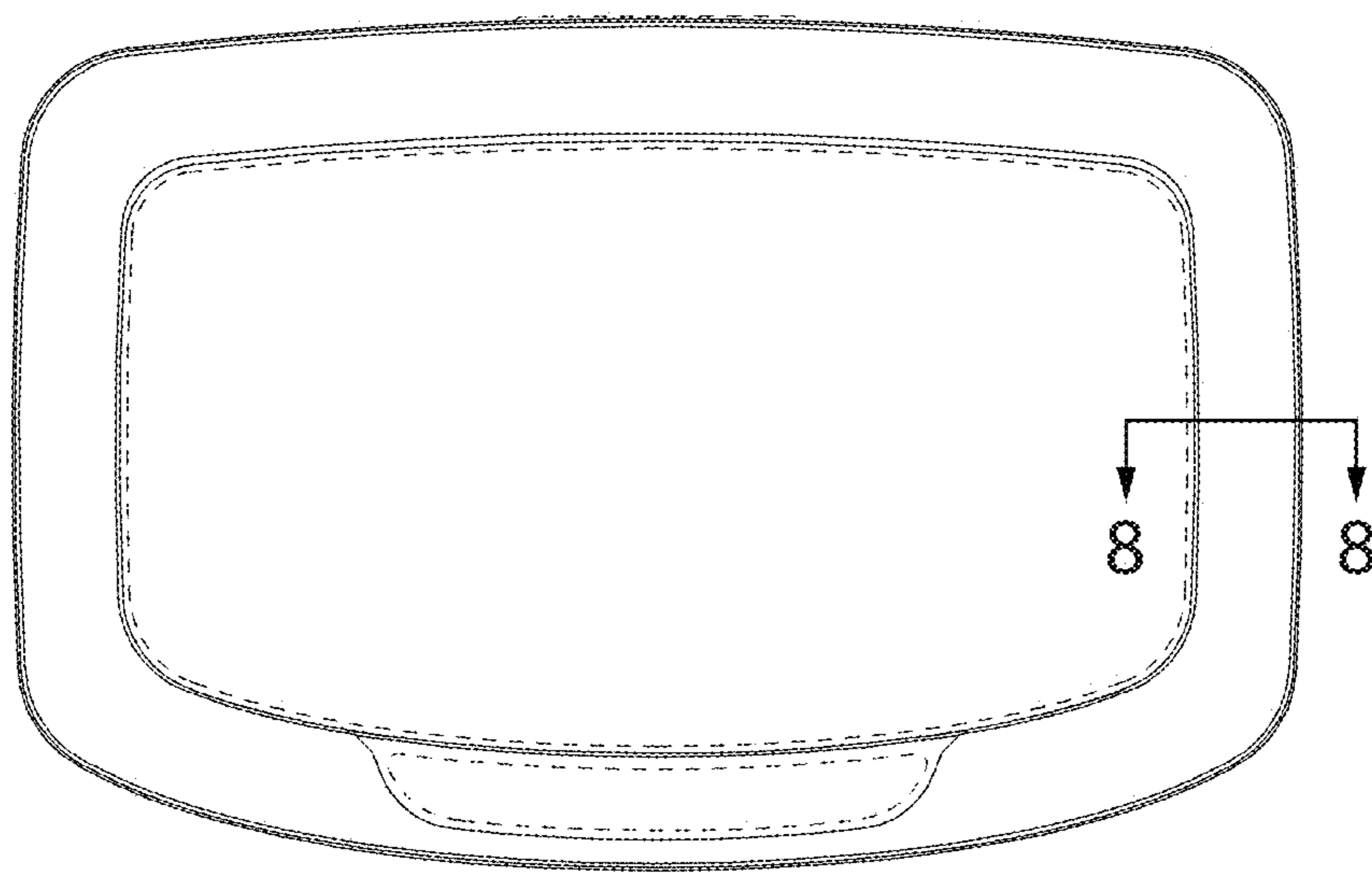


FIG. 2

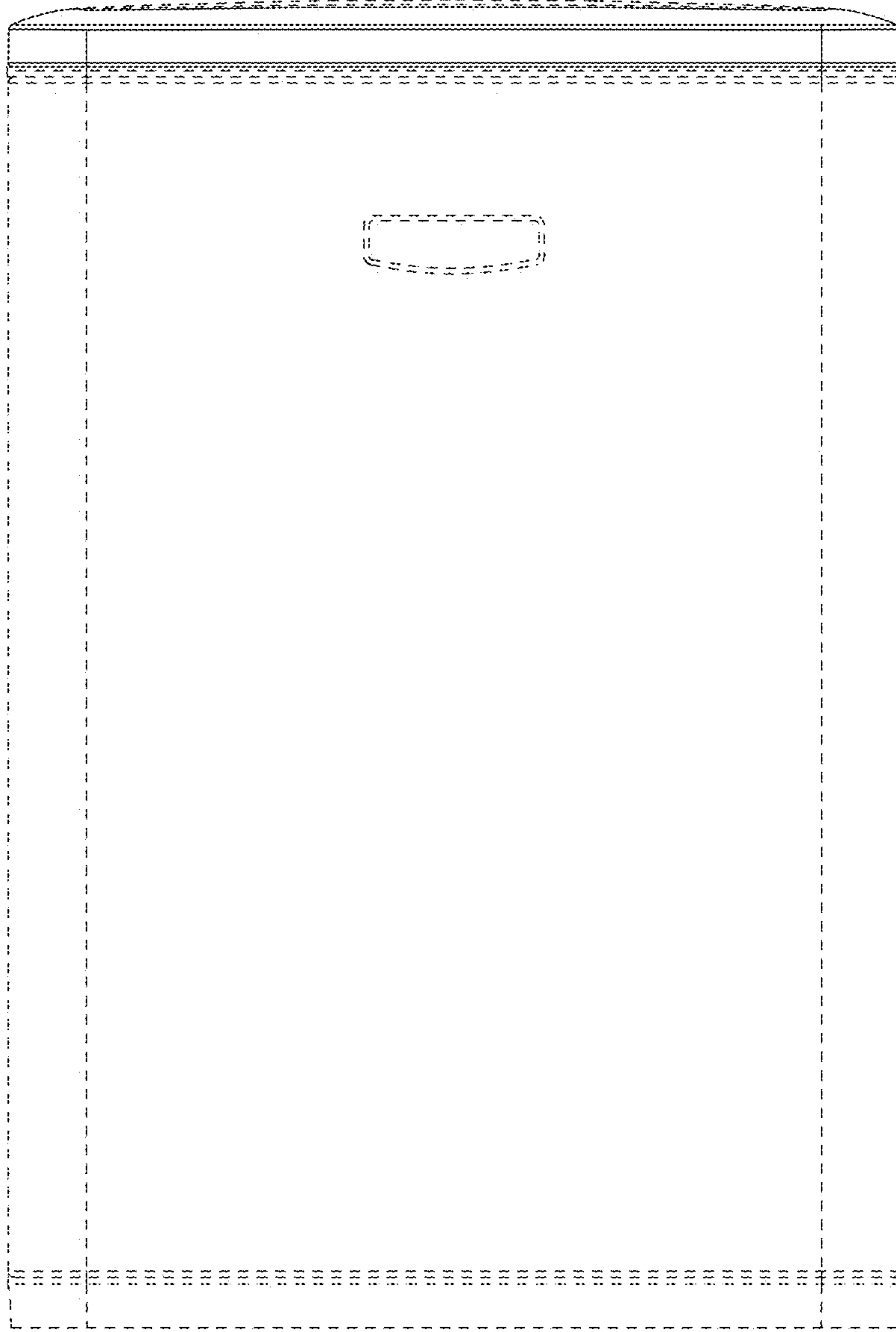


FIG. 3

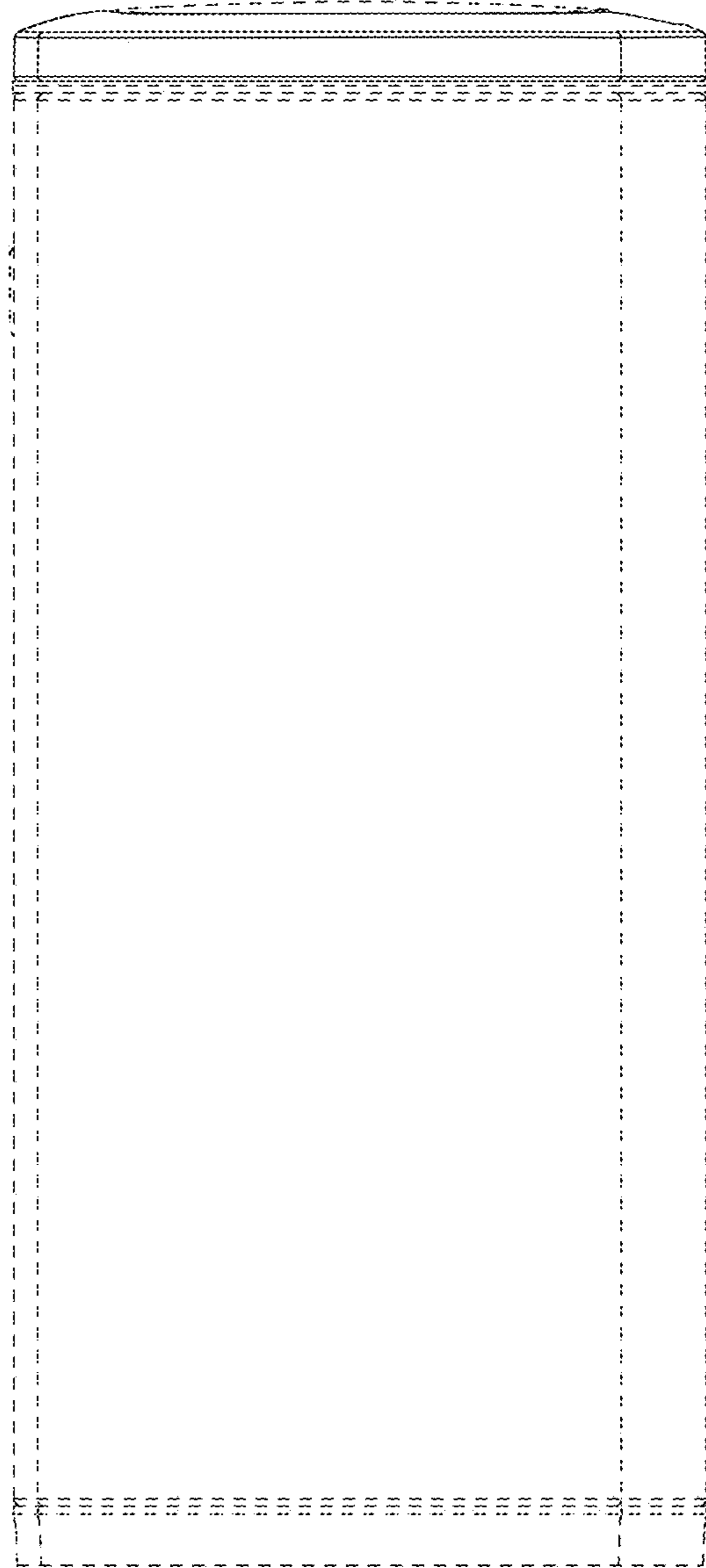


FIG. 4



FIG. 5

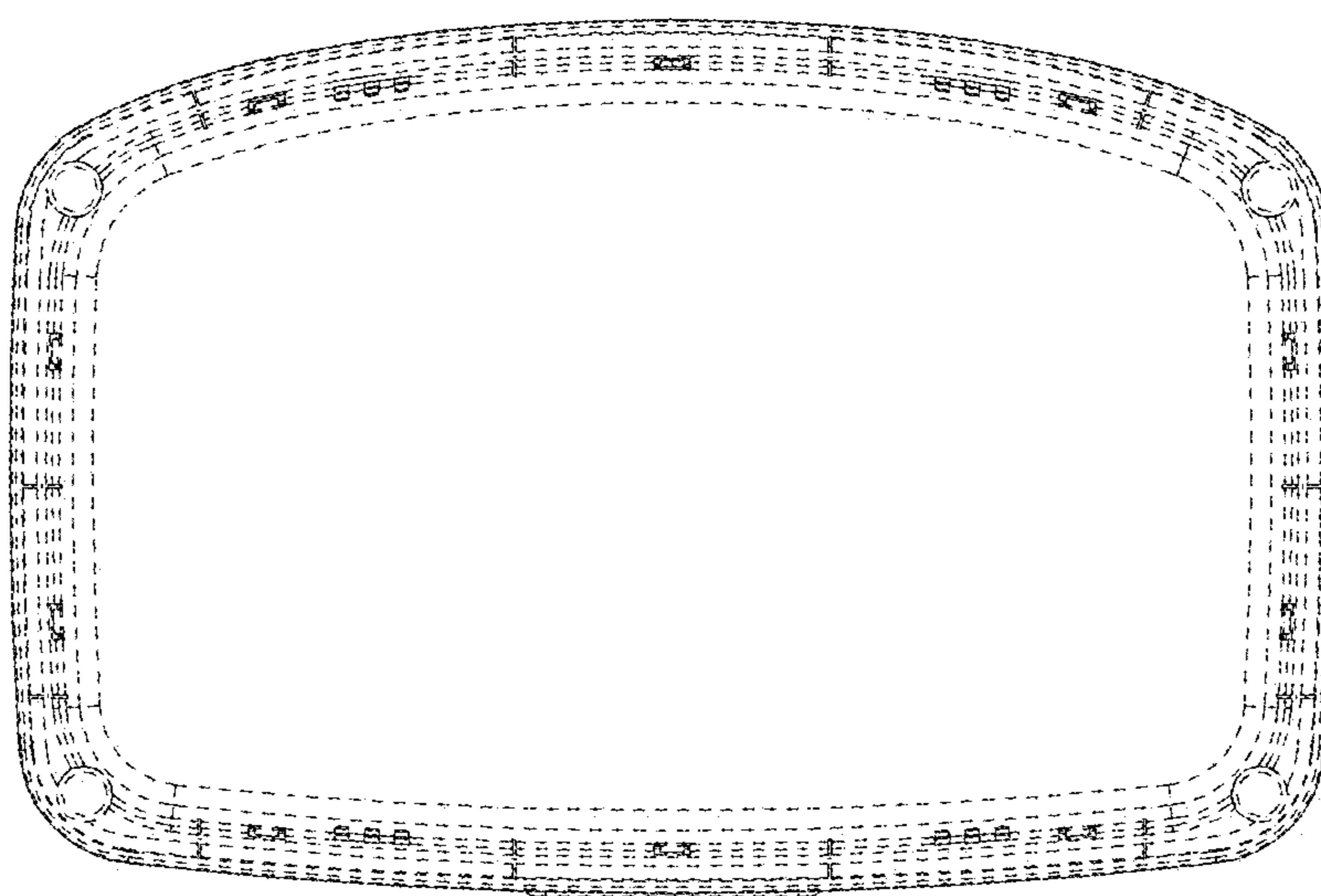


FIG. 6

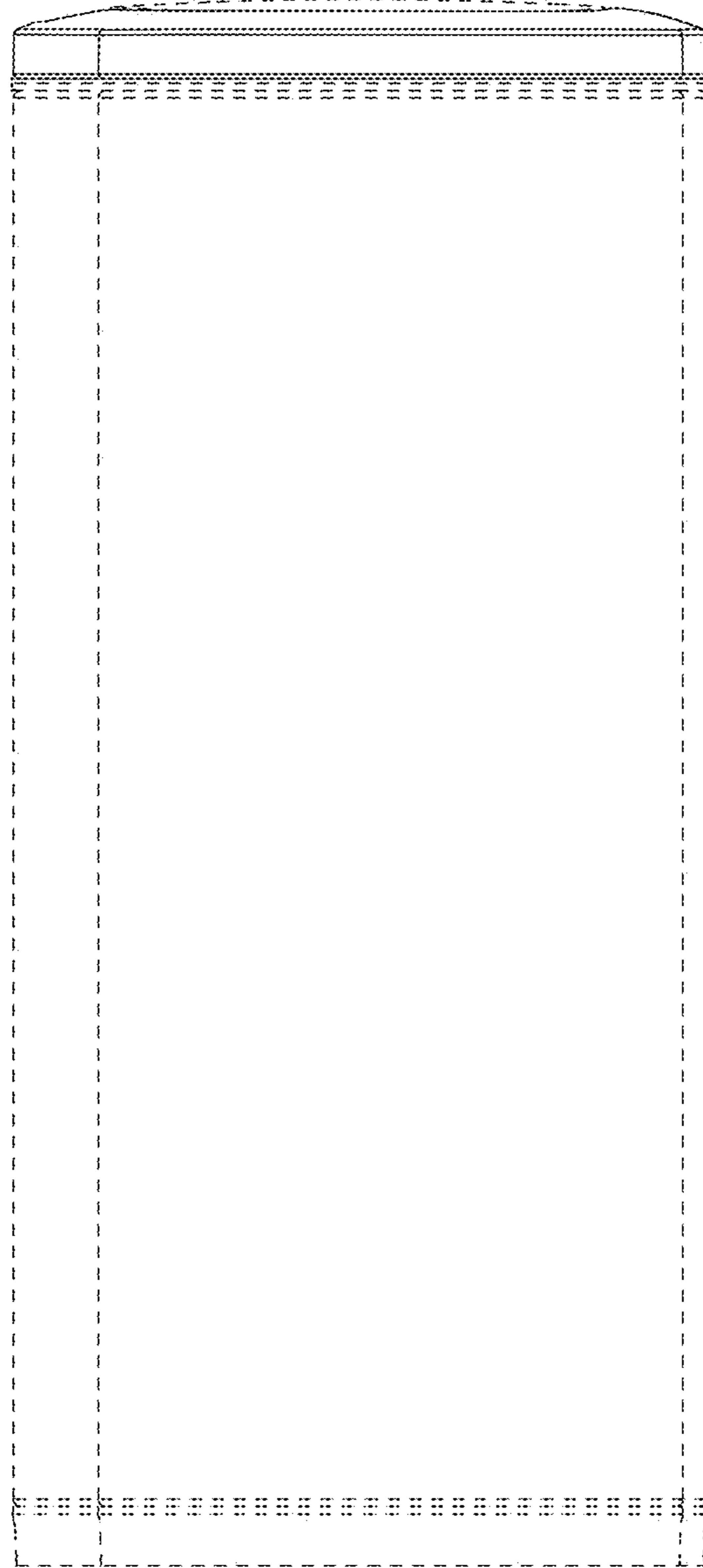


FIG. 7

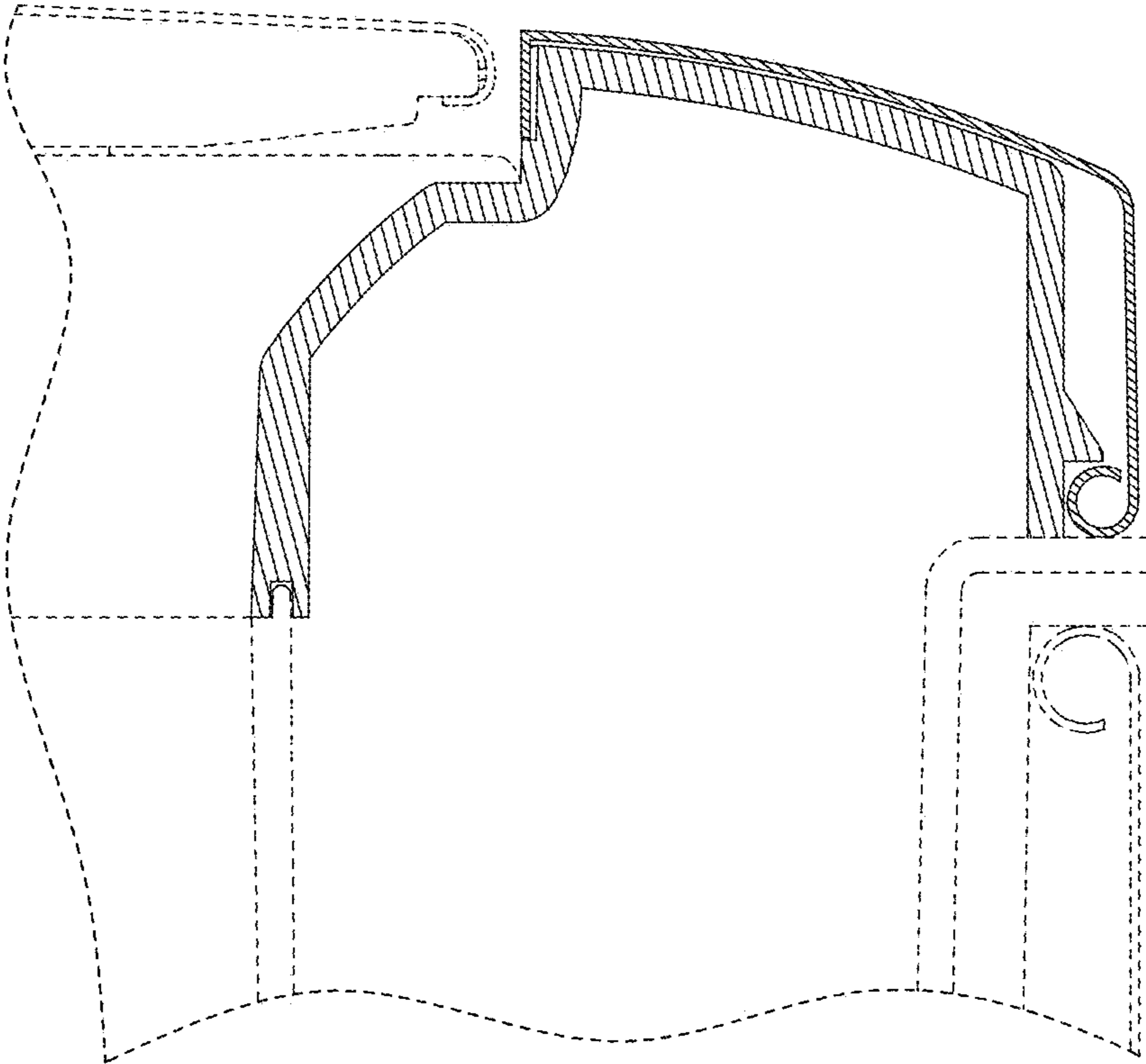


FIG. 8