



US00D871706S

(12) **United States Design Patent** (10) **Patent No.:** **US D871,706 S**
Dobson (45) **Date of Patent:** **** Dec. 31, 2019**

(54) **WASTE BIN ENCLOSURE**
(71) Applicant: **Eco Bin (Aust) Pty Ltd**, Malvern East, Victoria (AU)
(72) Inventor: **Nicholas Dobson**, Mont Albert North (AU)

D522,703 S * 6/2006 Johnson D34/1
D536,853 S * 2/2007 Presnell D34/7
D543,331 S * 5/2007 Jackson D34/7
D716,013 S * 10/2014 Behar D34/1
D817,581 S * 5/2018 Thuma D34/7
2014/0209605 A1* 7/2014 Spahmann B65F 1/163
220/264

(73) Assignee: **ECO BUN (AUST) PTY LTD**, Victoria (AU)

* cited by examiner

(**) Term: **15 Years**

Primary Examiner — Cynthia Ramirez
(74) *Attorney, Agent, or Firm* — Onello & Mello, LLP

(21) Appl. No.: **29/629,451**

(57) **CLAIM**

(22) Filed: **Dec. 13, 2017**

The ornamental design for a waste bin enclosure, as shown and described.

(30) **Foreign Application Priority Data**

Jun. 16, 2017 (AU) 201713623
(51) **LOC (12) Cl.** **09-09**
(52) **U.S. Cl.**
USPC **D34/7**
(58) **Field of Classification Search**
USPC D34/1, 7, 9
CPC B65F 1/163; B65F 1/004; B65F 1/0053;
B65F 1/006; B65F 1/1607; B65F 1/106;
B65F 1/1605; B65F 1/00; B65F
2210/104; B62B 2202/12; B62B 2202/20
See application file for complete search history.

DESCRIPTION

(56) **References Cited**

U.S. PATENT DOCUMENTS
1,203,056 A * 10/1916 Schilling B65D 25/34
220/200
5,967,355 A * 10/1999 Ragot B65F 1/02
220/4.32

FIG. 1 is a perspective view of a waste bin enclosure in accordance with the present invention;
FIG. 2 is a front view of the waste bin enclosure of FIG. 1;
FIG. 3 is a rear view of the waste bin enclosure of FIG. 1;
FIG. 4 is a right side view of the waste bin enclosure of FIG. 1;
FIG. 5 is a left side view of the waste bin enclosure of FIG. 1;
FIG. 6 is a top view of the waste bin enclosure of FIG. 1;
and,
FIG. 7 is a bottom view of the waste bin enclosure of FIG. 1.
The broken lines shown in the figures are included for the purpose of illustrating portions of the waste bin enclosure and forms no part of the claimed design.

1 Claim, 7 Drawing Sheets

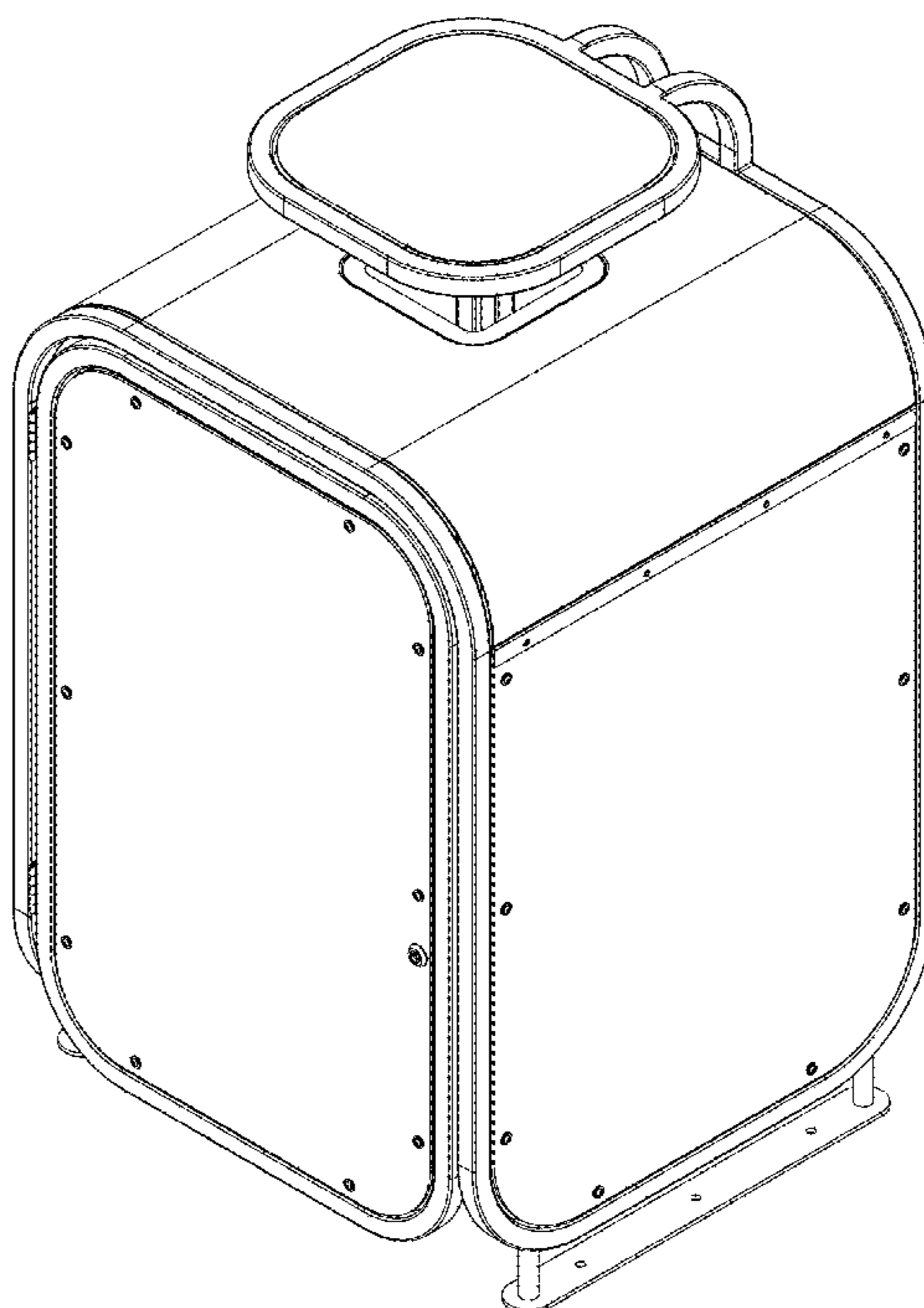


FIG. 1

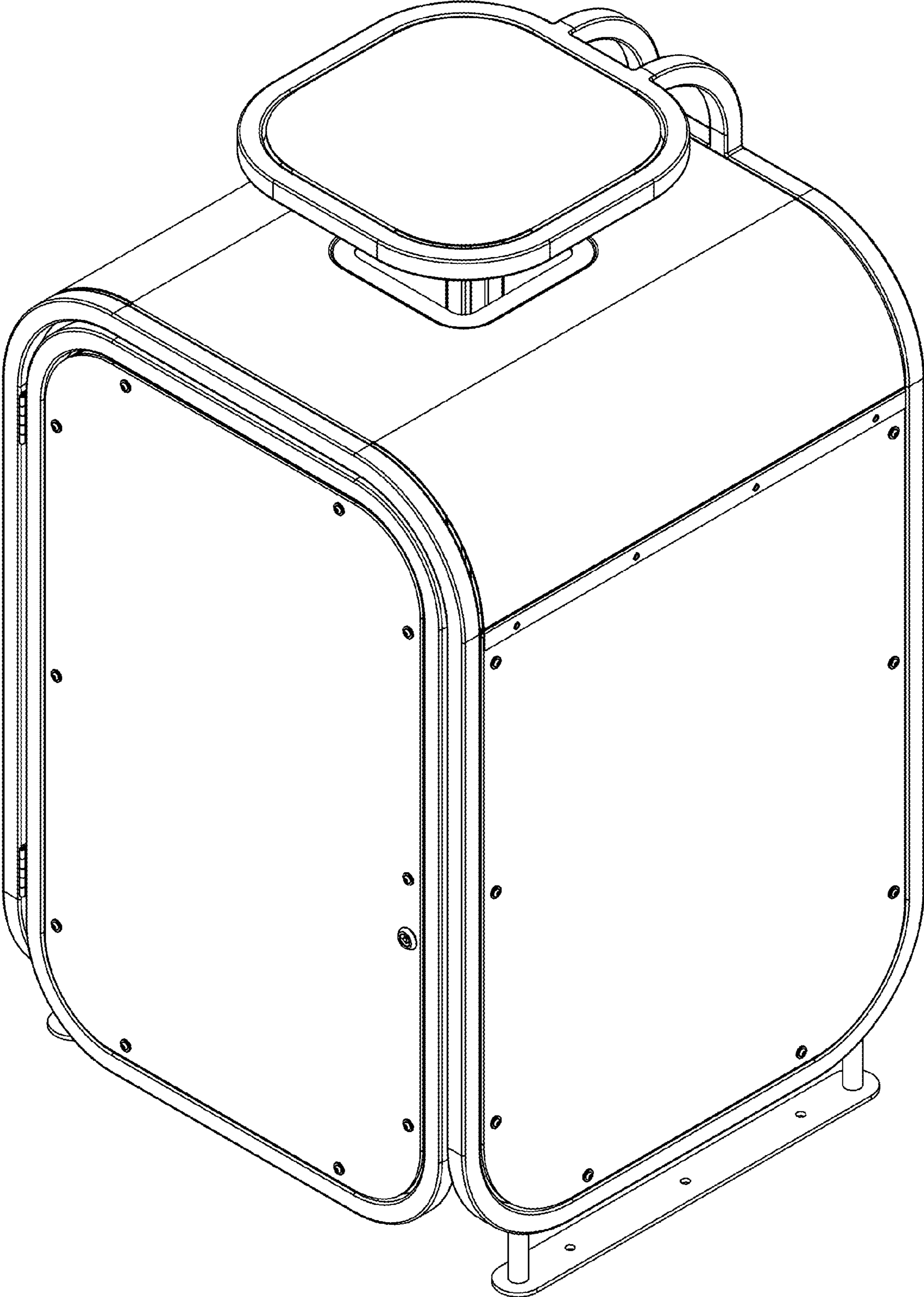


FIG. 2

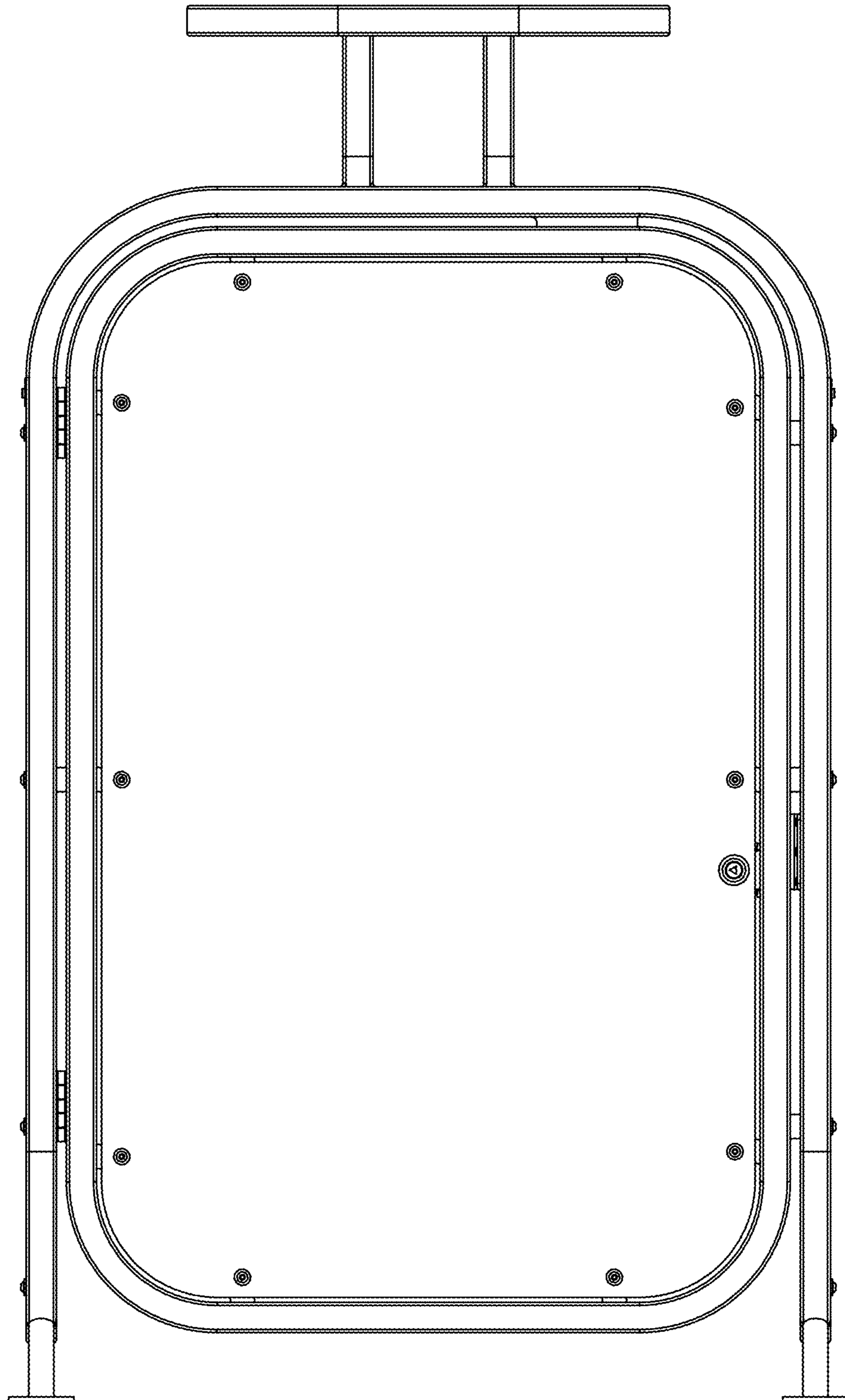


FIG. 3

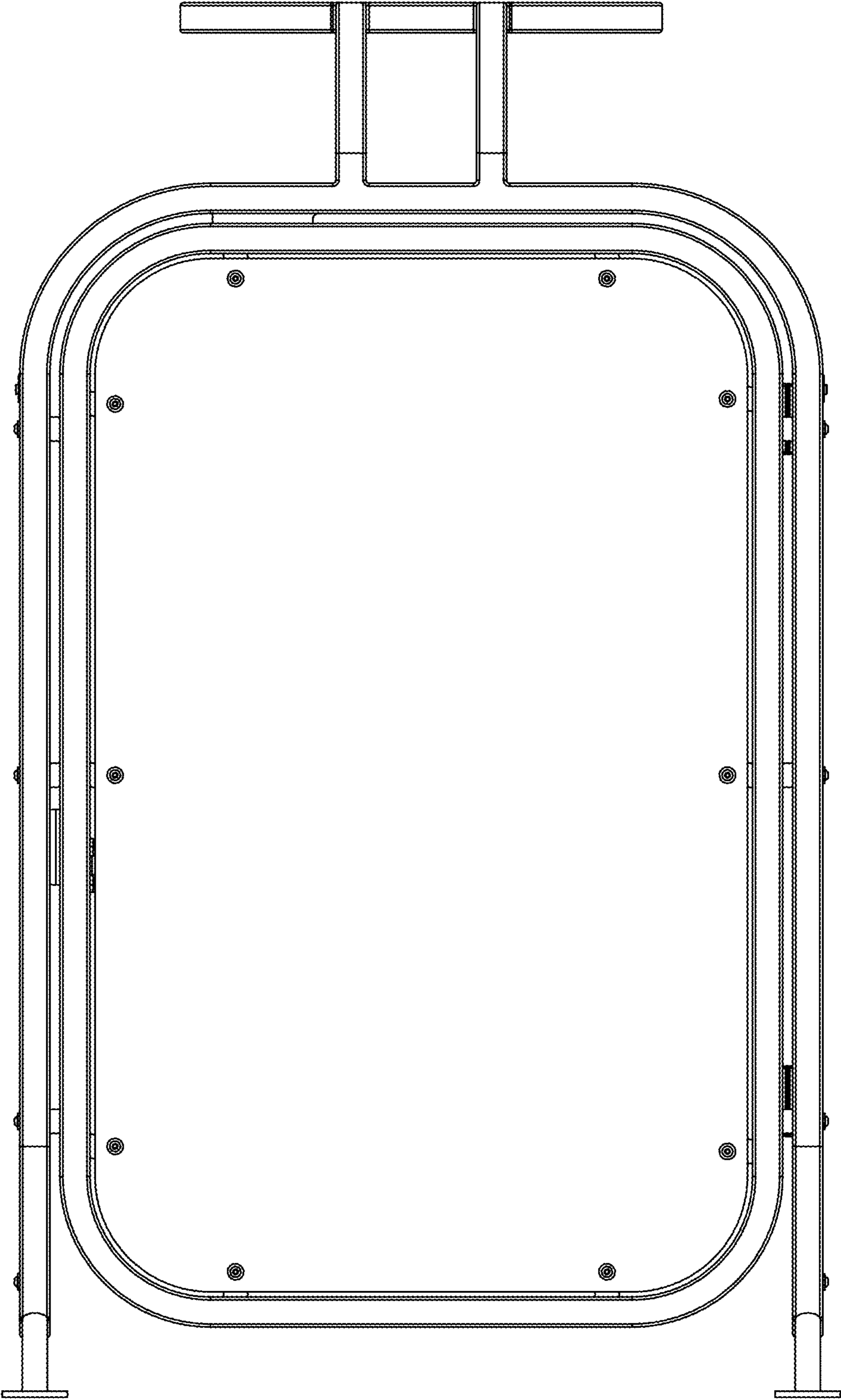


FIG. 4

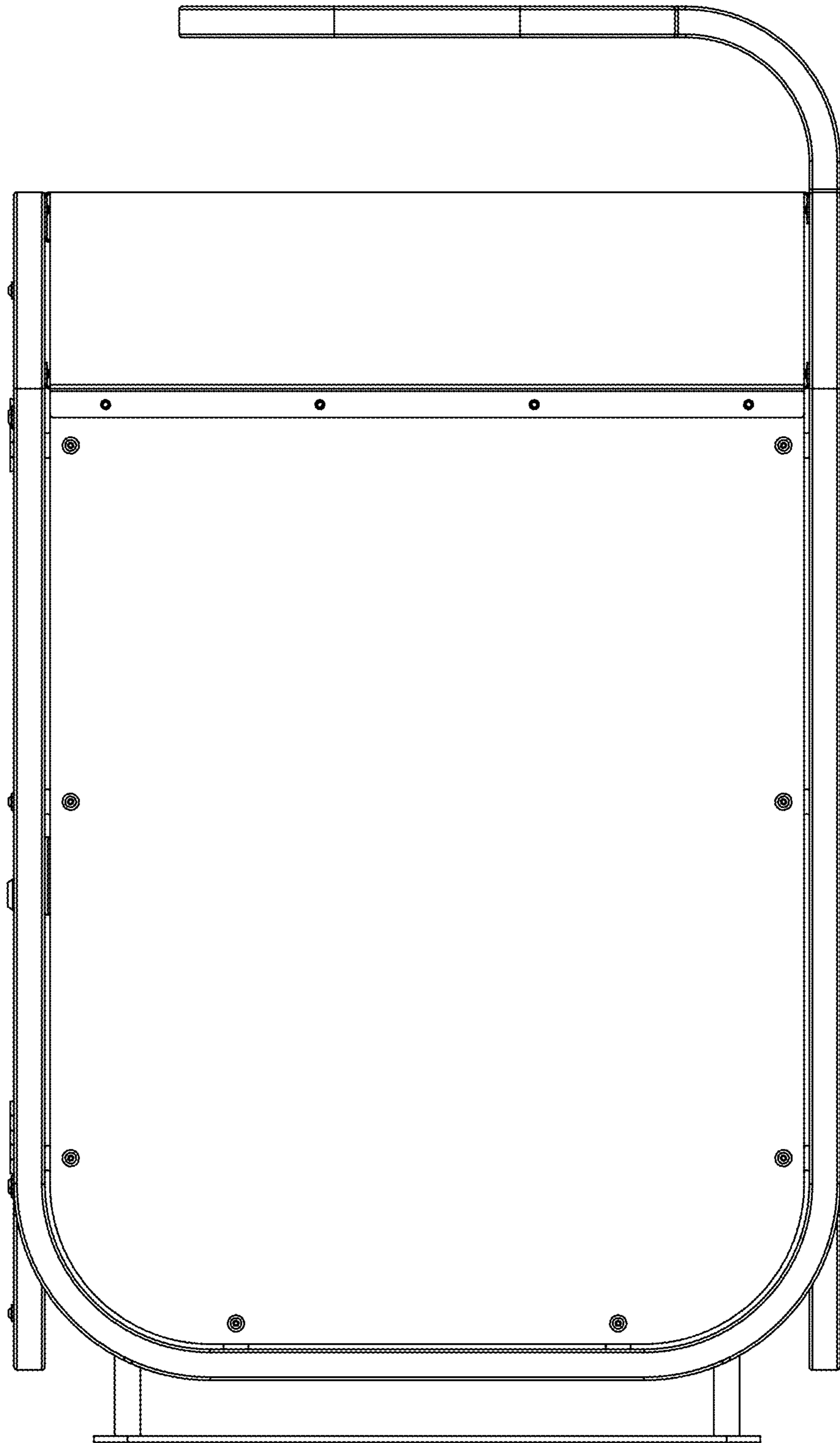


FIG. 5

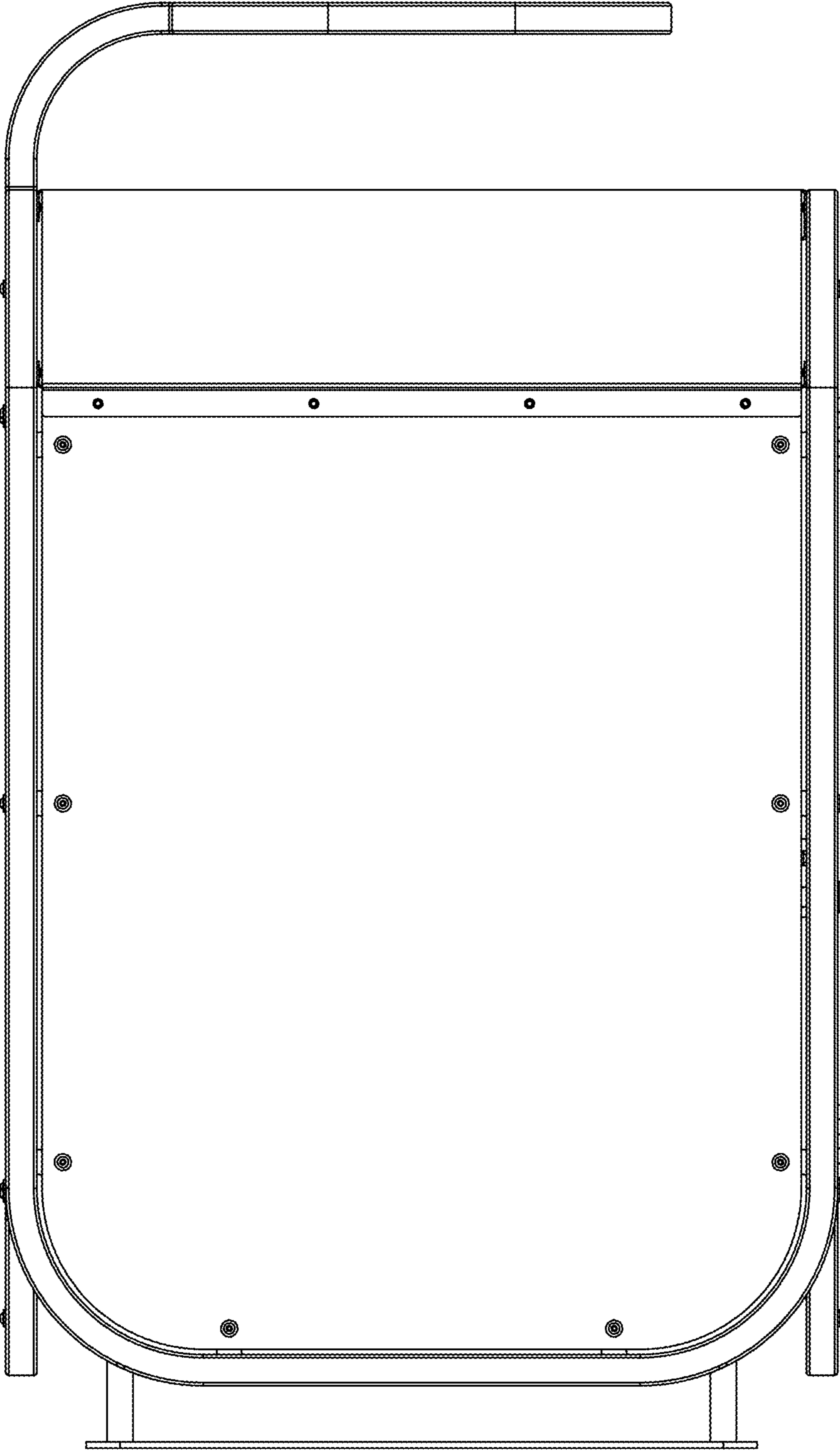


FIG. 6

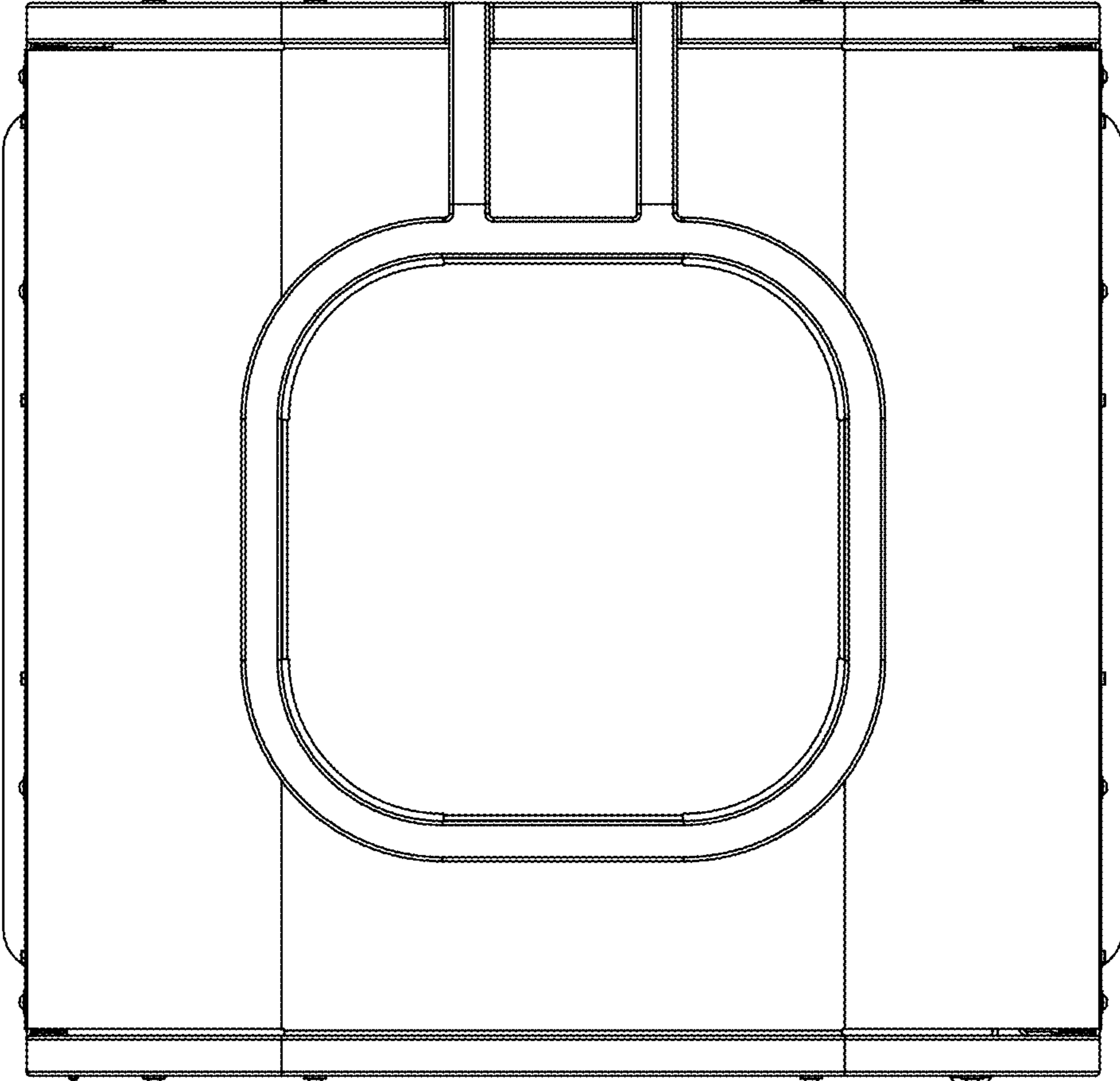


FIG. 7

