



US00D871704S

(12) **United States Design Patent**  
**Tuang**

(10) **Patent No.:** **US D871,704 S**

(45) **Date of Patent:** **\*\* Dec. 31, 2019**

(54) **DISH RACK**

(71) Applicant: **EP Family Corp.**, Walnut, CA (US)

(72) Inventor: **Bao-Yi Tuang**, Walnut, CA (US)

(\*\*) Term: **15 Years**

(21) Appl. No.: **29/661,686**

(22) Filed: **Aug. 29, 2018**

(51) **LOC (12) Cl.** ..... **07-05**

(52) **U.S. Cl.**  
USPC ..... **D32/55**

(58) **Field of Classification Search**  
USPC ..... D32/585, 276, 3; D6/510, 525;  
D30/133; 211/41.5, 41.4, 41.3, 41.8;  
312/311, 333, 334.4; D7/354, 629  
CPC .. A47L 15/505; A47L 15/503; A47L 15/0013;  
A47L 19/02; A47L 19/04; A47J 47/20  
See application file for complete search history.

(56) **References Cited**

**U.S. PATENT DOCUMENTS**

- D595,914 S \* 7/2009 Housley ..... 211/41.5
- D699,413 S \* 2/2014 Huang ..... D32/55
- D723,236 S \* 2/2015 Khaitan ..... D32/55
- D760,983 S \* 7/2016 Eilmus ..... D32/55

- D760,984 S \* 7/2016 Eilmus ..... D32/55
- D762,035 S \* 7/2016 Cooper ..... D32/55
- D783,216 S \* 4/2017 Huang ..... D32/55
- D787,769 S \* 5/2017 Evans ..... D32/55
- D820,543 S \* 6/2018 Huang ..... D32/55

\* cited by examiner

*Primary Examiner* — Austin Murphy

(74) *Attorney, Agent, or Firm* — Tommy SF Wang; Wang IP Law Group, P.C.

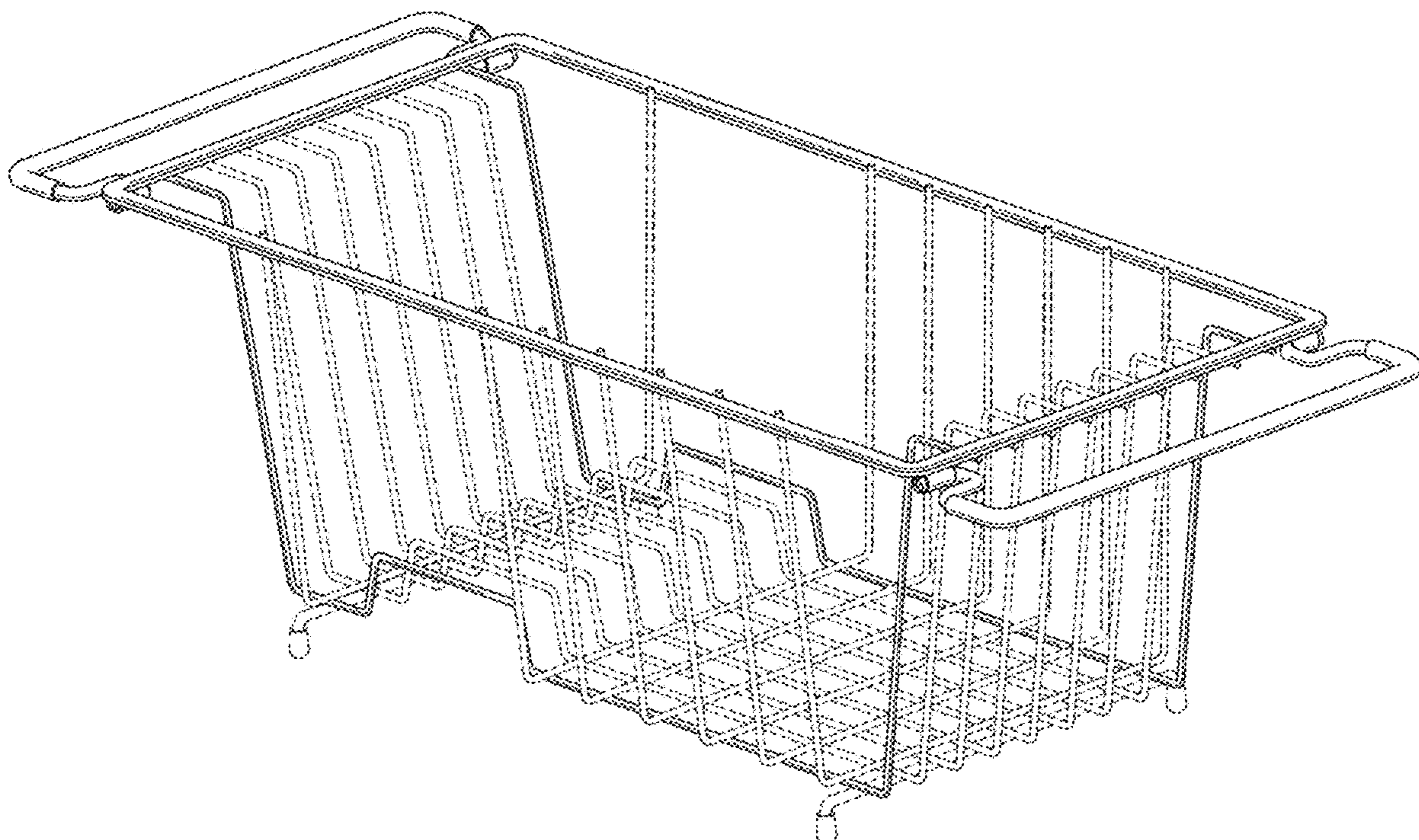
(57) **CLAIM**

The ornamental design for a dish rack, as shown and described.

**DESCRIPTION**

FIG. 1 is a perspective view of a dish rack showing my new design;  
 FIG. 2 is a front view thereof;  
 FIG. 3 is a rear view thereof;  
 FIG. 4 is a left side view thereof;  
 FIG. 5 is a right side view thereof;  
 FIG. 6 is a top view thereof;  
 FIG. 7 is a bottom view thereof; and,  
 FIG. 8 is another perspective view thereof with handles being rotated.  
 The broken line portions of the dish rack in FIGS. 1-8 represent unclaimed portions of the claimed design and form no part thereof.

**1 Claim, 8 Drawing Sheets**



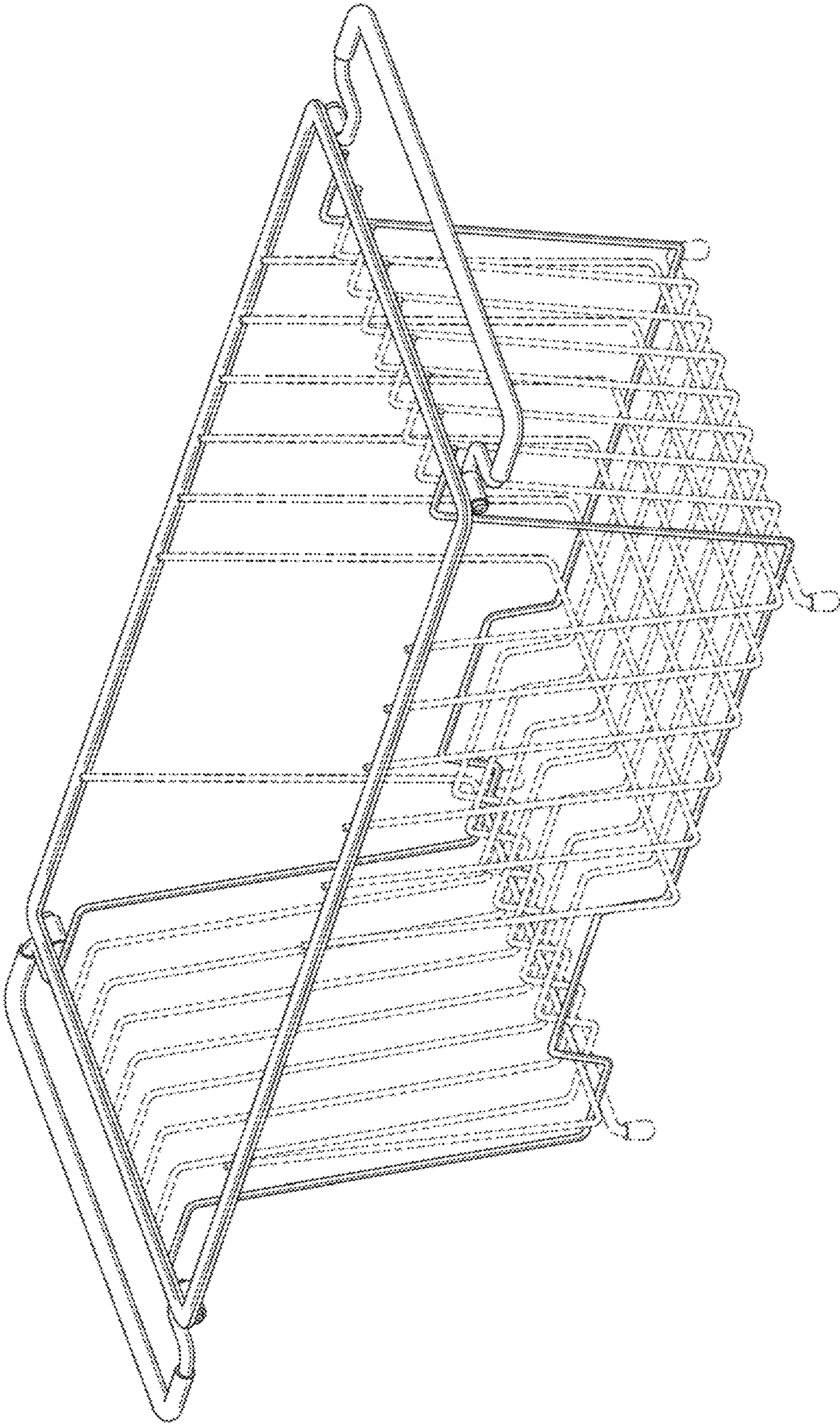


FIG. 1

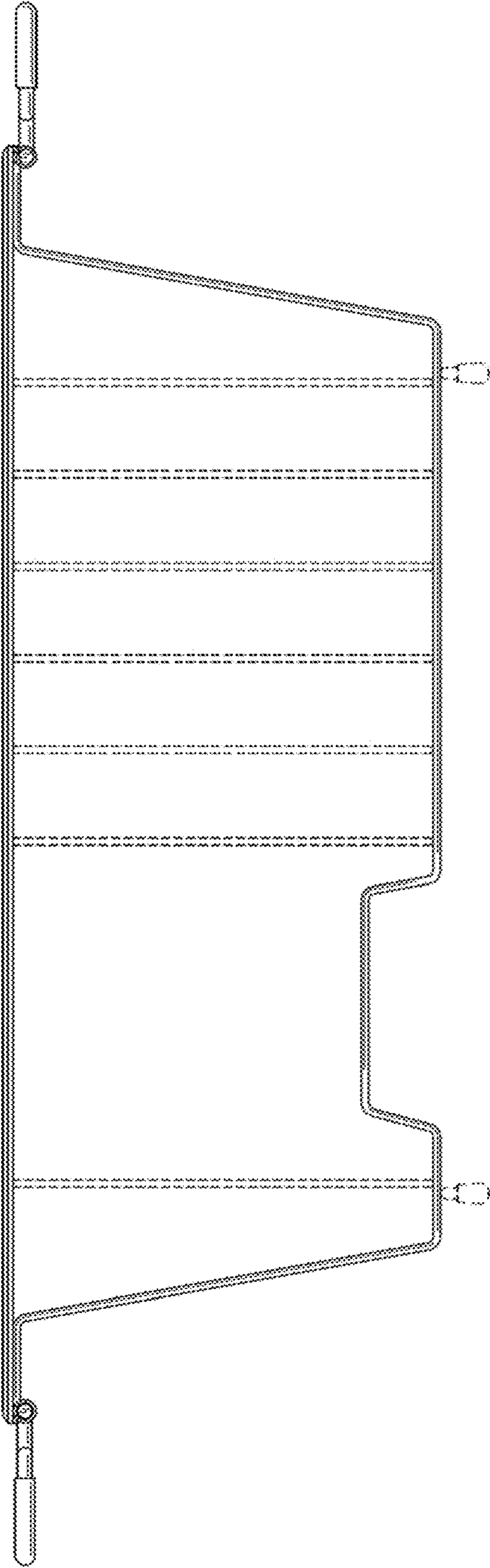


FIG. 2

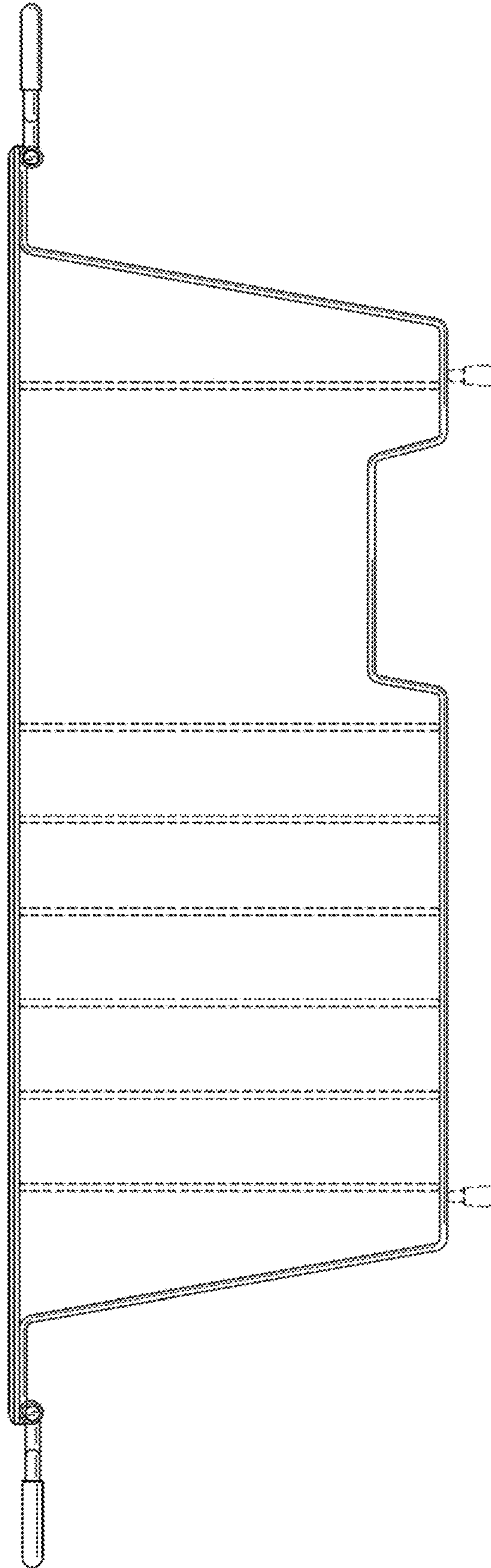


FIG. 3

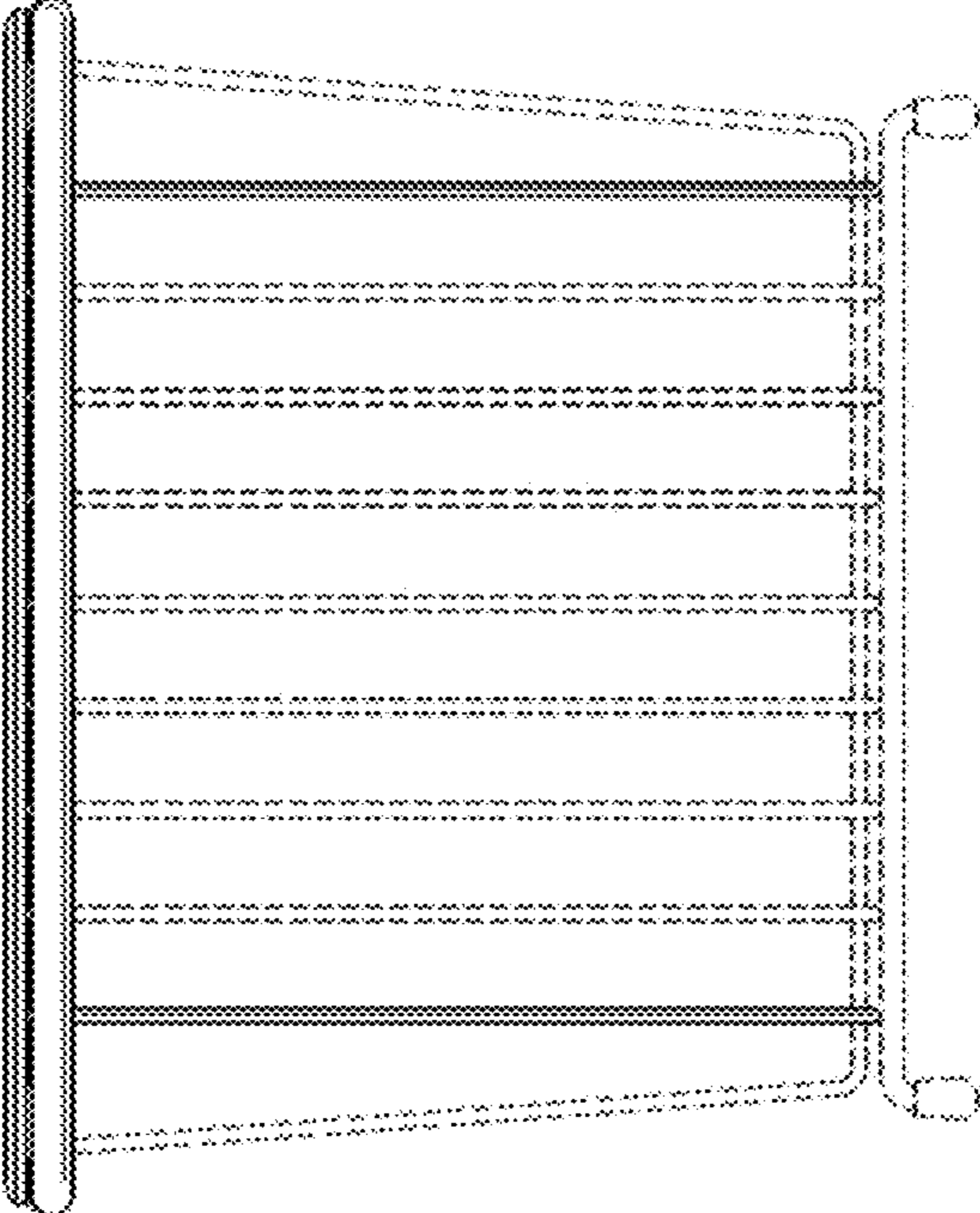


FIG. 4

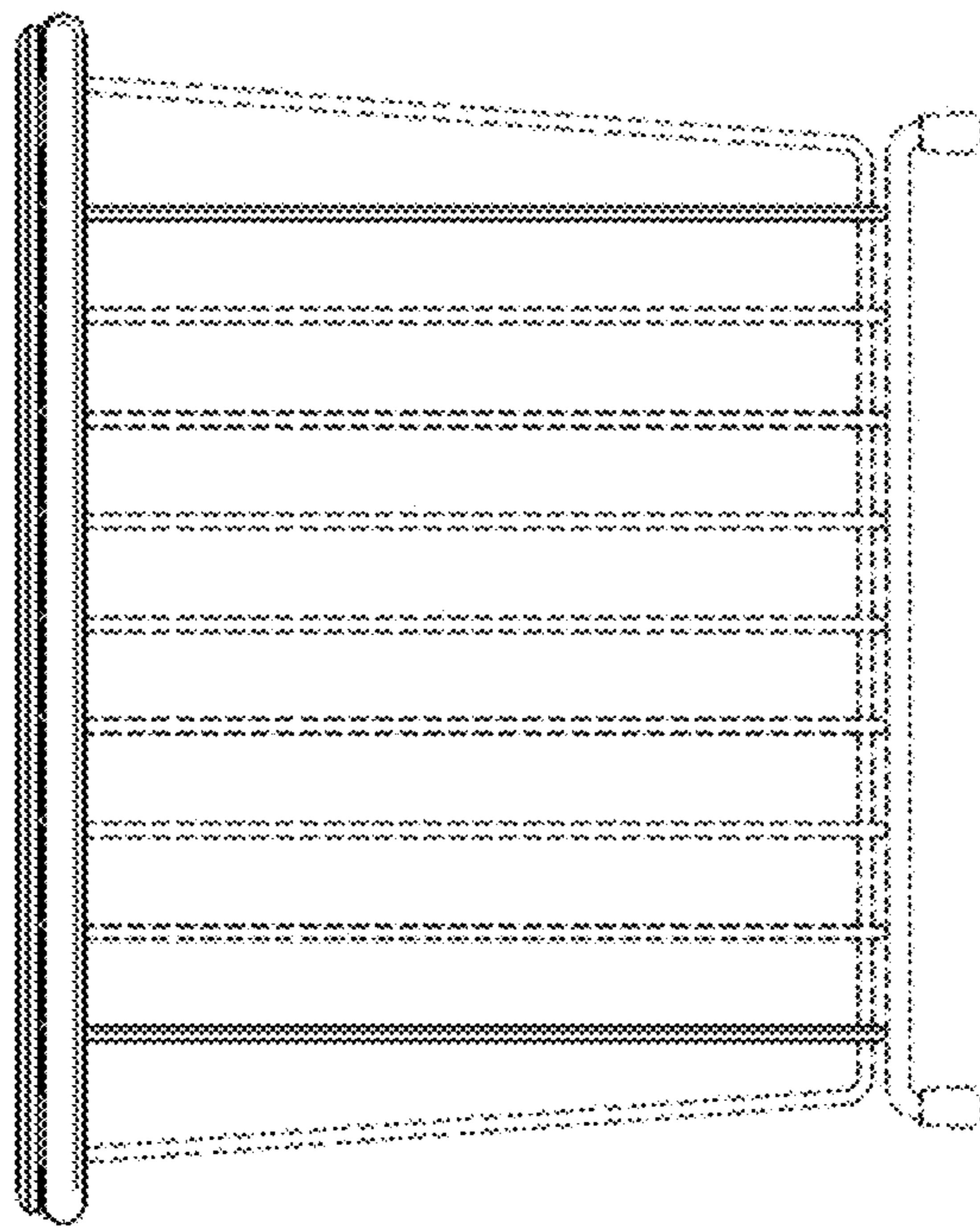


FIG. 5

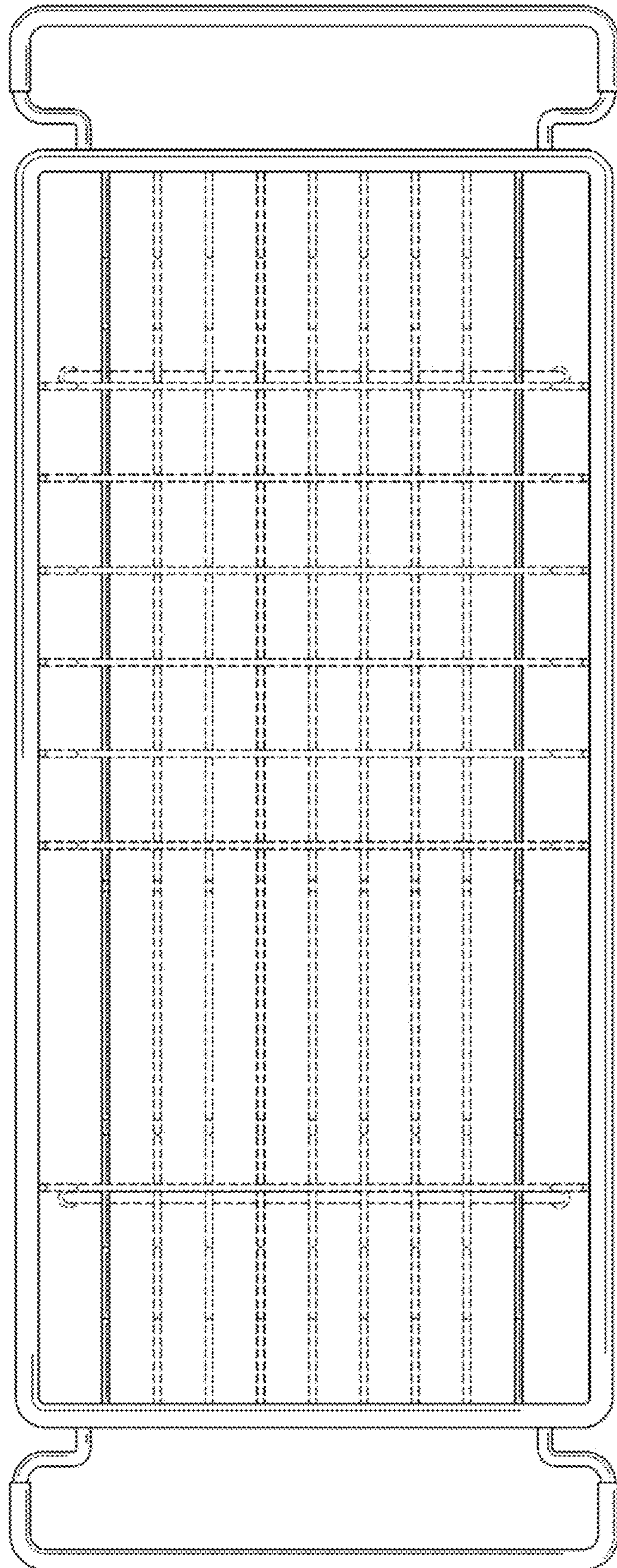


FIG. 6

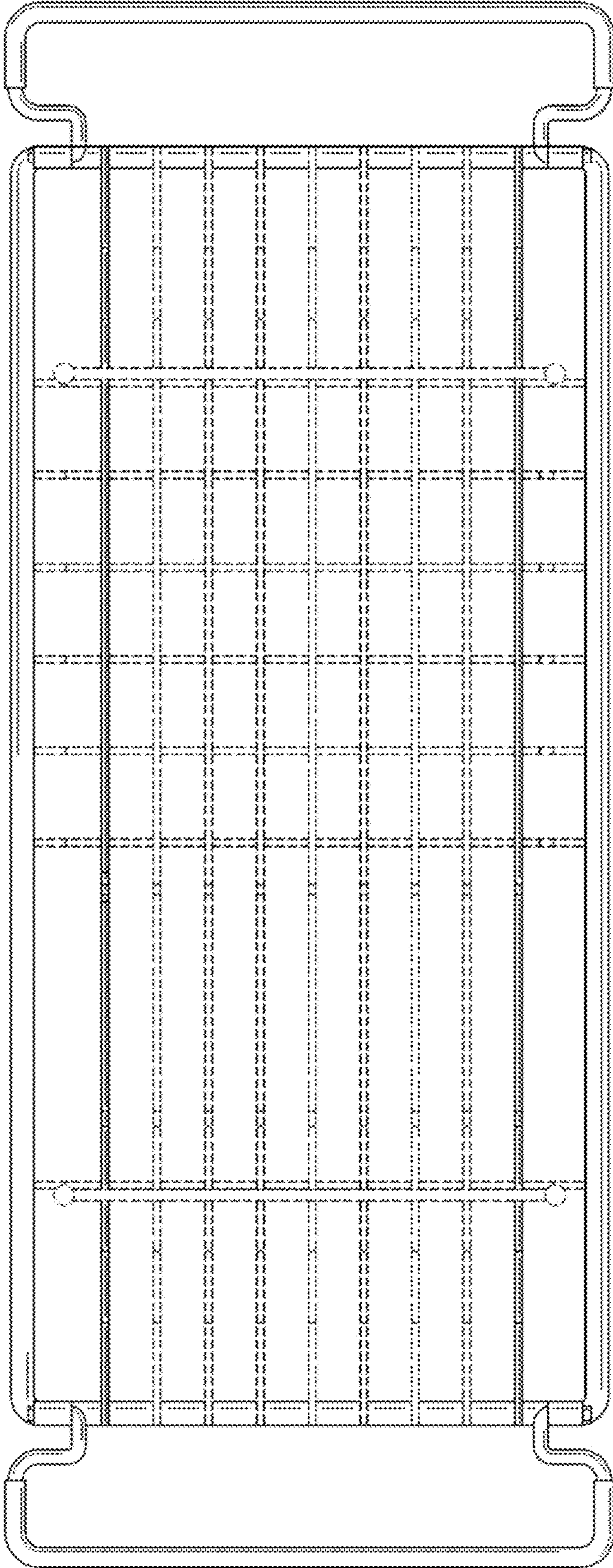


FIG. 7



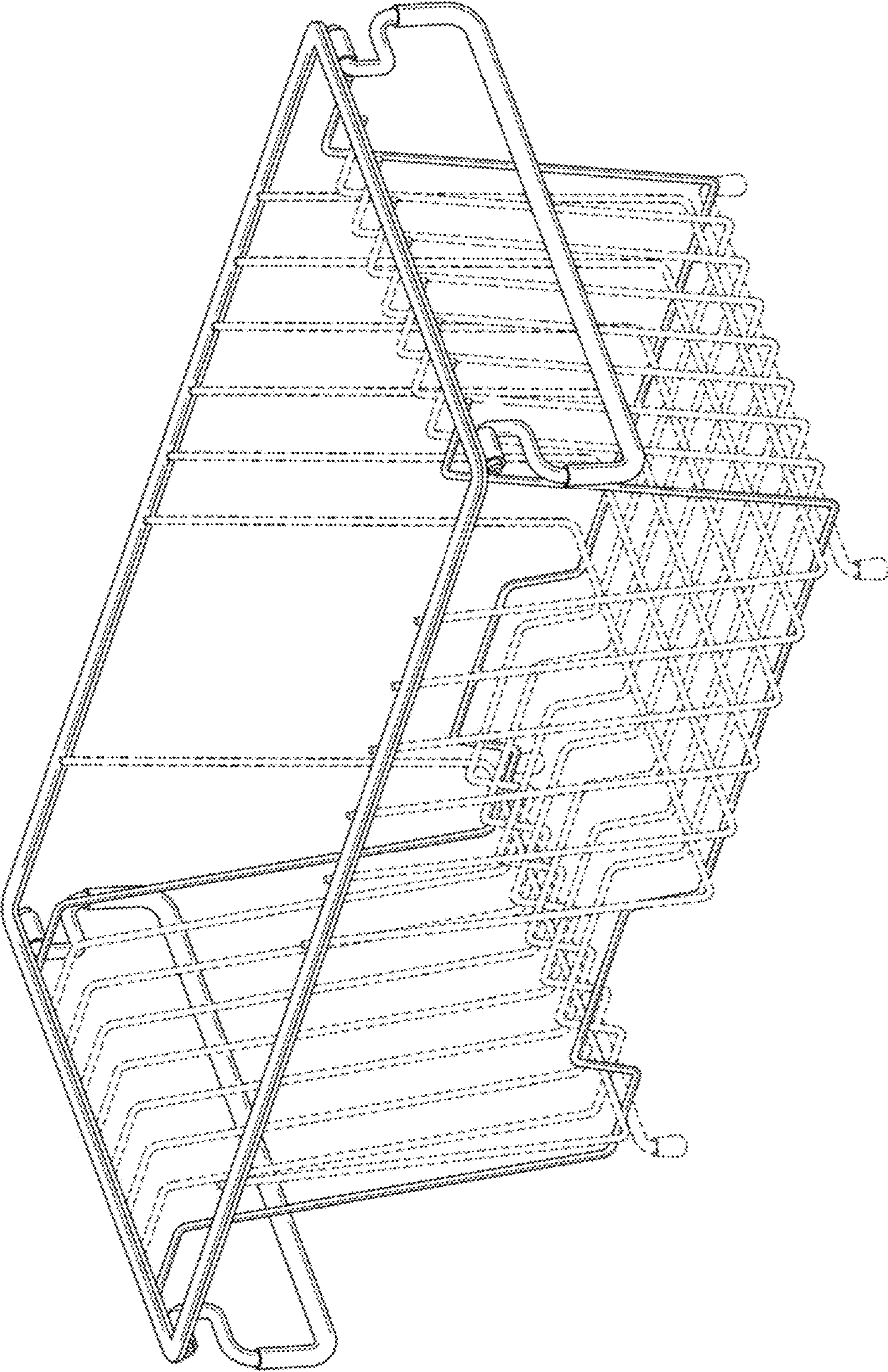


FIG. 8