



US00D871703S

(12) **United States Design Patent**
Huang

(10) **Patent No.:** **US D871,703 S**

(45) **Date of Patent:** **** Dec. 31, 2019**

(54) **DRYING RACK**

(71) Applicant: **Anfeng Huang**, Rowland Heights, CA
(US)

(72) Inventor: **Anfeng Huang**, Rowland Heights, CA
(US)

(**) Term: **15 Years**

(21) Appl. No.: **29/659,370**

(22) Filed: **Aug. 8, 2018**

(51) **LOC (12) Cl.** **07-05**

(52) **U.S. Cl.**
USPC **D32/55**

(58) **Field of Classification Search**
USPC D32/585, 276, 3; D6/510, 525;
D30/133; 211/41.5, 41.4, 41.3, 41.8;
312/311, 333, 334.4; D7/354, 629
CPC .. A47L 15/505; A47L 15/503; A47L 15/0013;
A47L 19/02; A47L 19/04; A47J 47/20
See application file for complete search history.

(56) **References Cited**

U.S. PATENT DOCUMENTS

D599,067 S * 8/2009 Yang D32/55
D693,081 S * 11/2013 Yang D32/55

D699,413 S * 2/2014 Huang D32/55
D723,236 S * 2/2015 Khaitan D32/55
D783,216 S * 4/2017 Huang D32/55
D818,662 S * 5/2018 Isidore D32/55
D819,289 S * 5/2018 Umholtz D32/55
D820,543 S * 6/2018 Huang D32/55
D846,220 S * 4/2019 Kraemer D32/55

* cited by examiner

Primary Examiner — Austin Murphy

(74) *Attorney, Agent, or Firm* — Kelley Drye & Warren
LLP

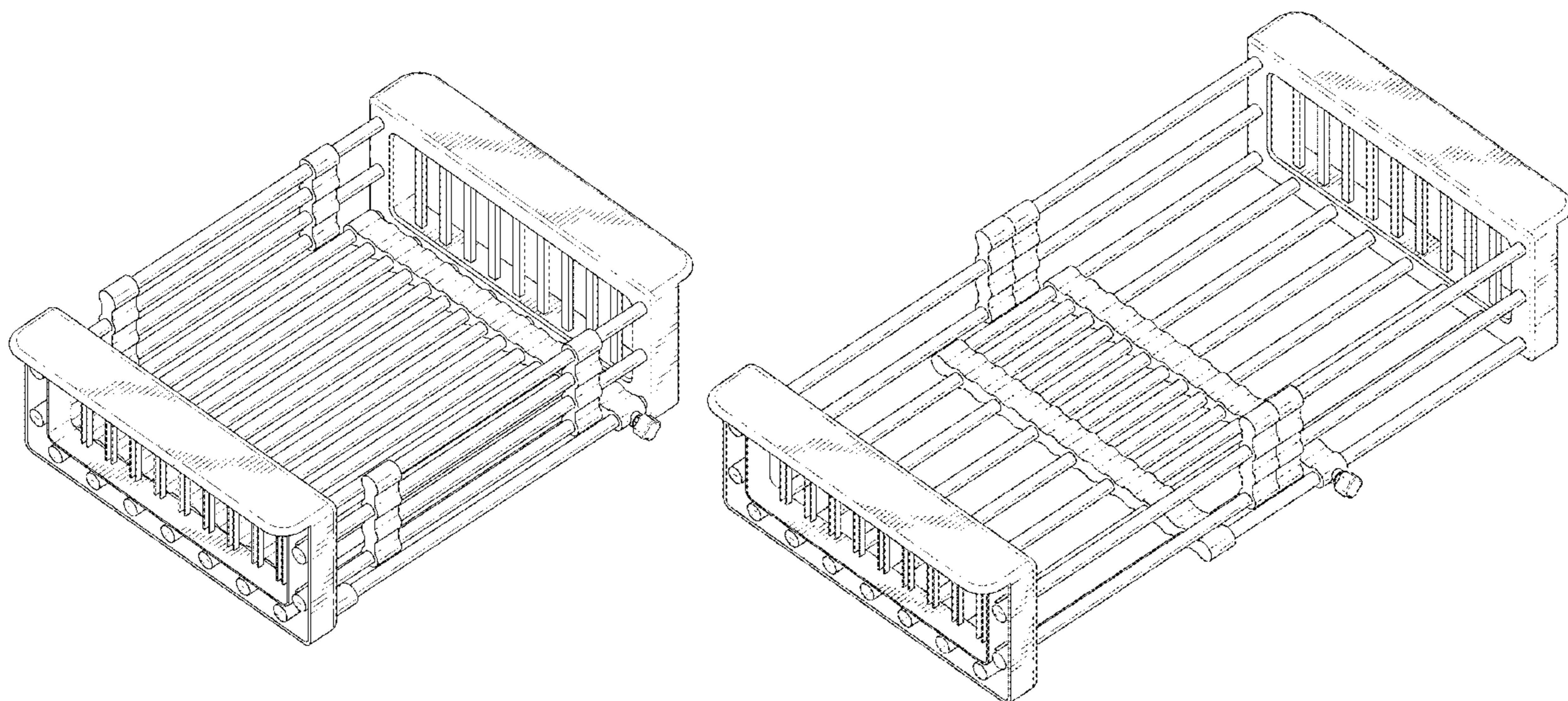
(57) **CLAIM**

The ornamental design for a drying rack, as shown and described.

DESCRIPTION

FIG. 1 is a front perspective view thereof;
FIG. 2 is a front view thereof;
FIG. 3 is a back view thereof;
FIG. 4 is a left side view thereof;
FIG. 5 is a right side view thereof;
FIG. 6 is a top view thereof;
FIG. 7 is a bottom view thereof; and,
FIG. 8 is an exploded front perspective view.

1 Claim, 8 Drawing Sheets



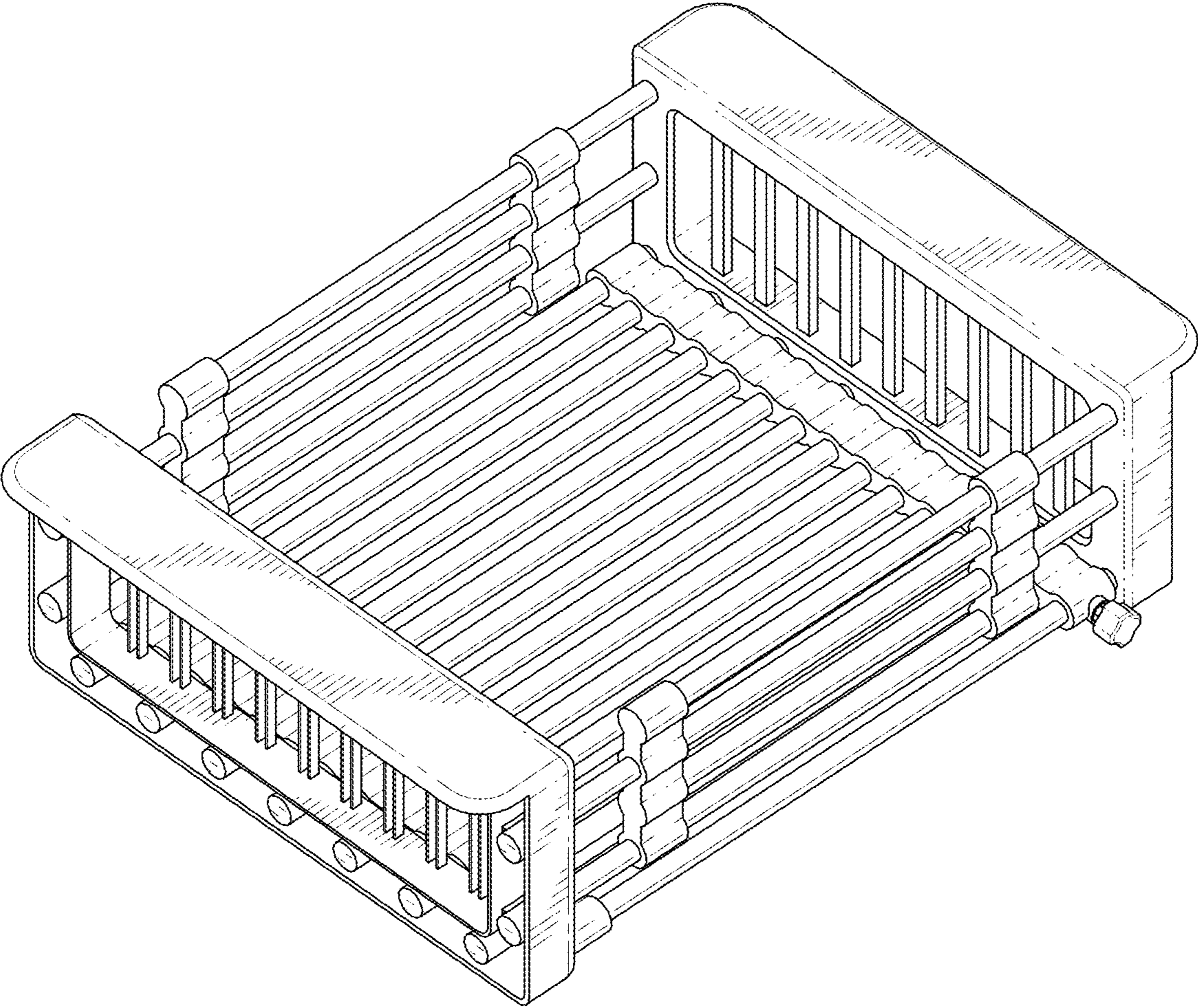


FIG. 1

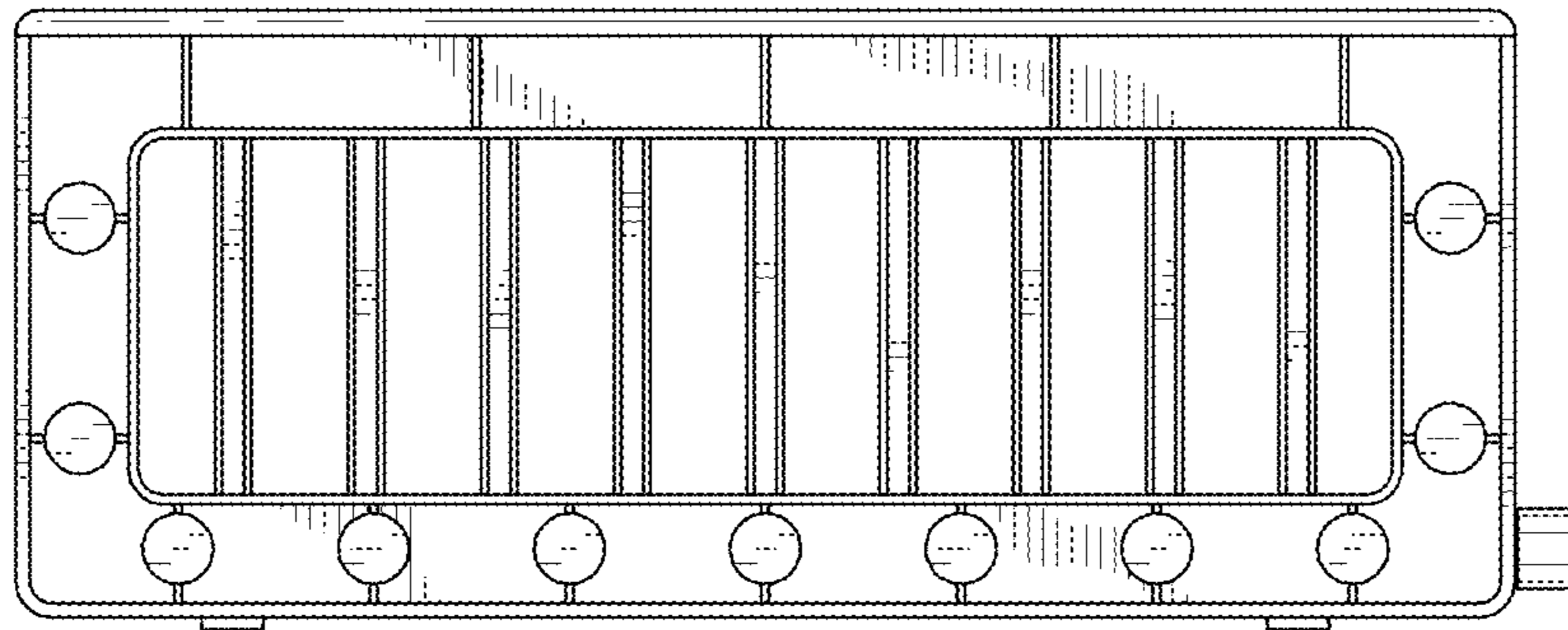


FIG. 2

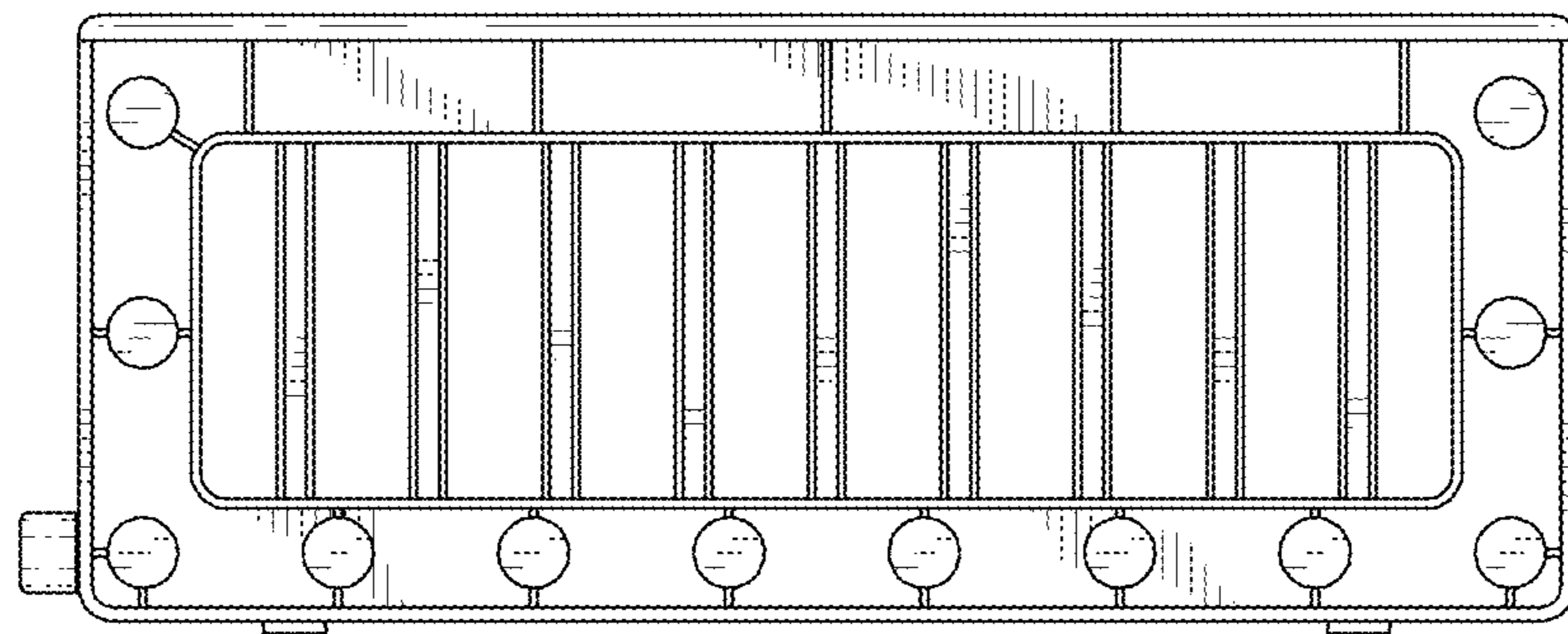


FIG. 3

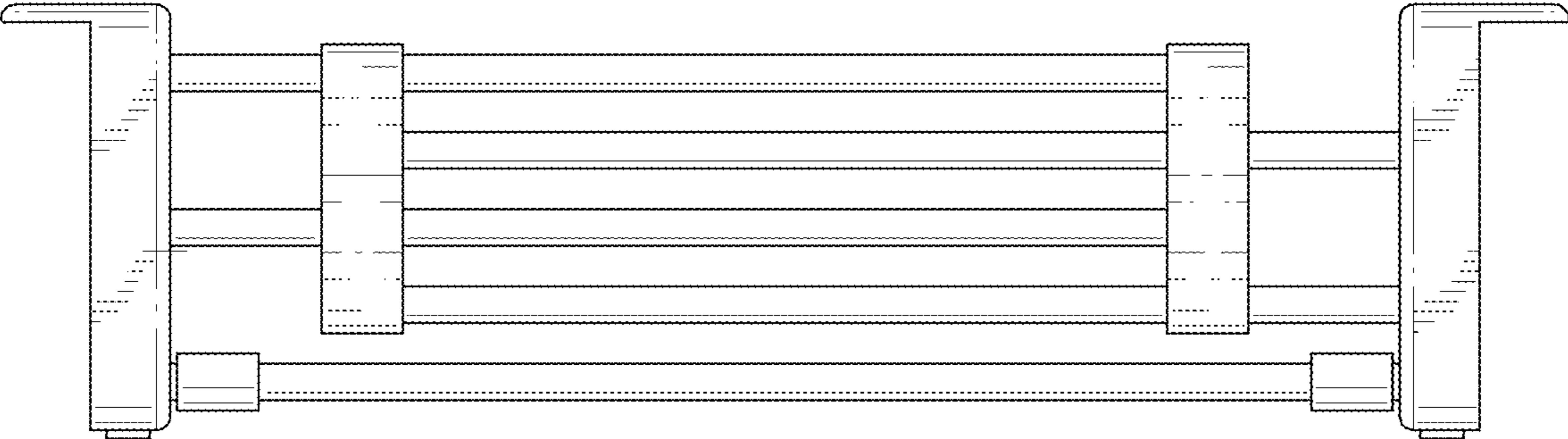


FIG. 4

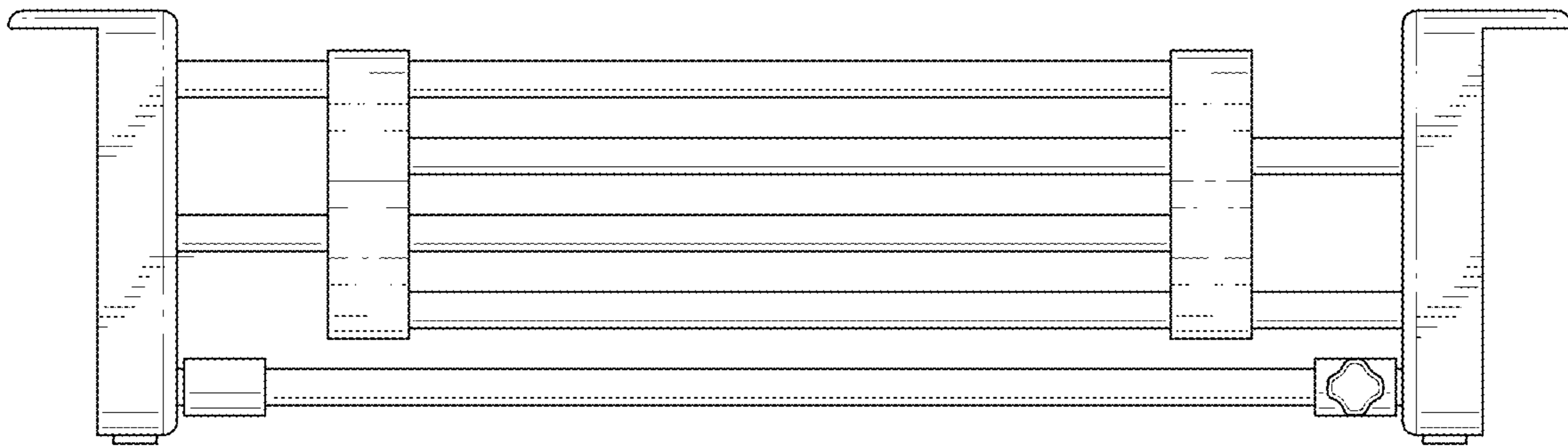


FIG. 5

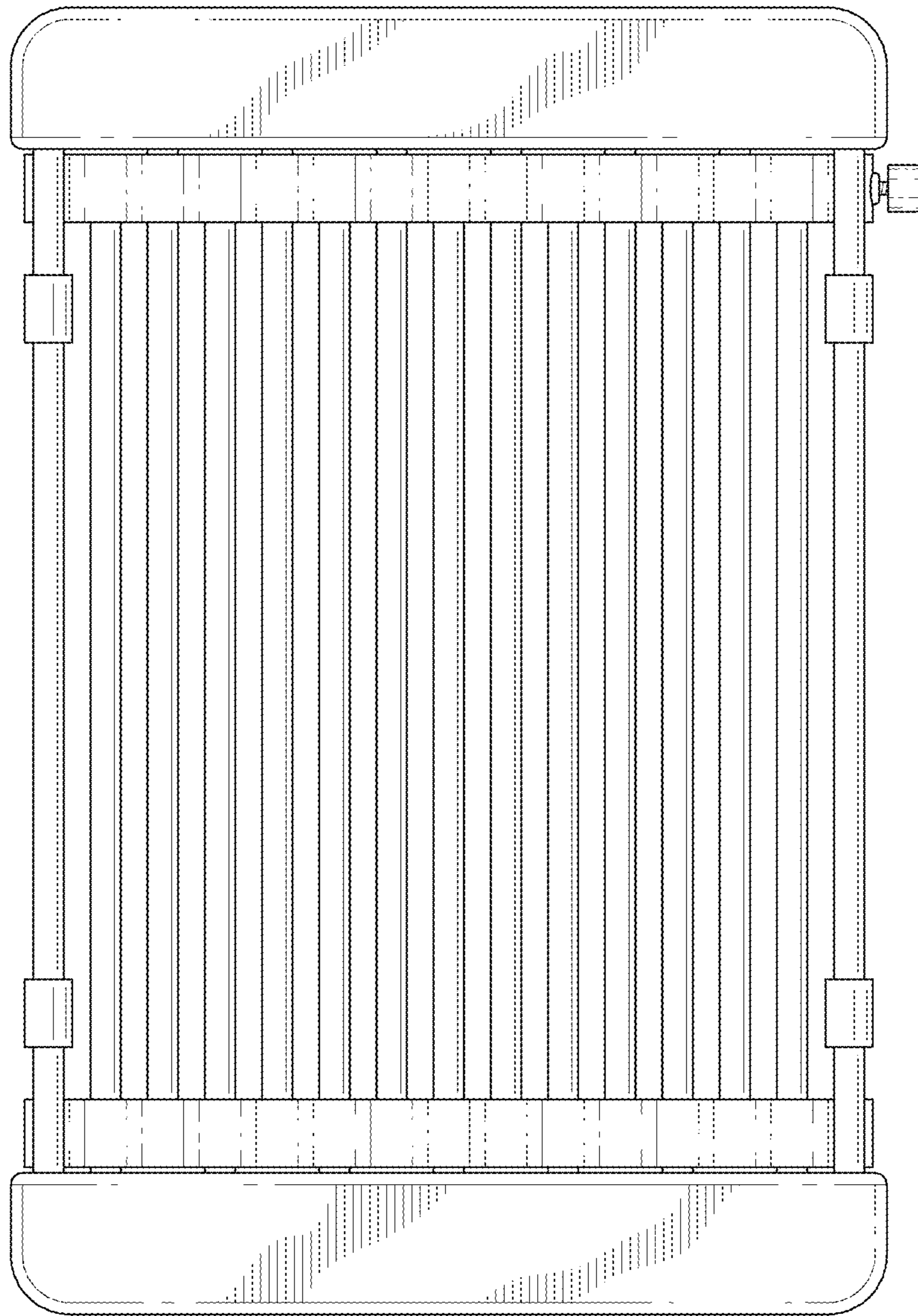


FIG. 6

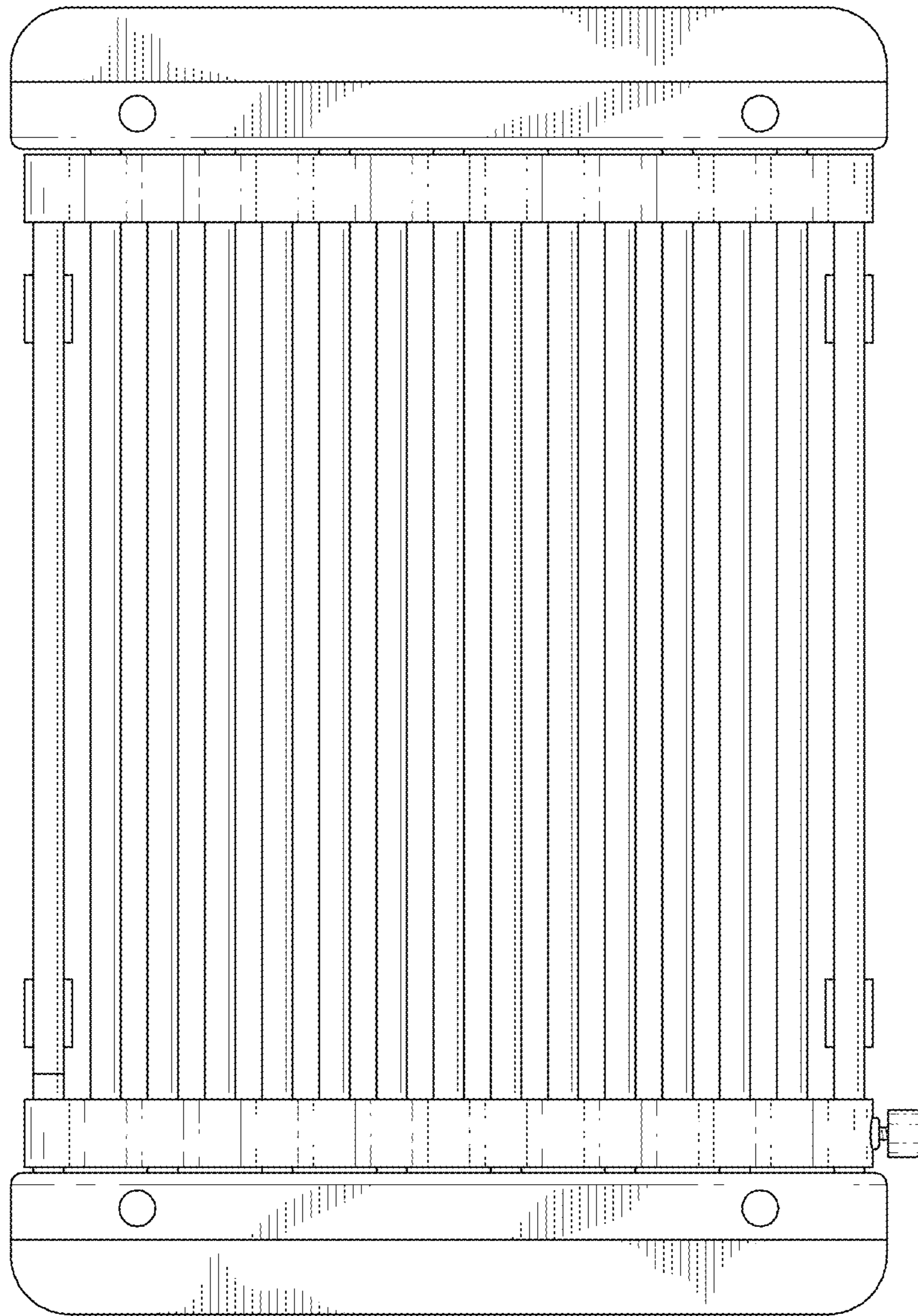


FIG. 7

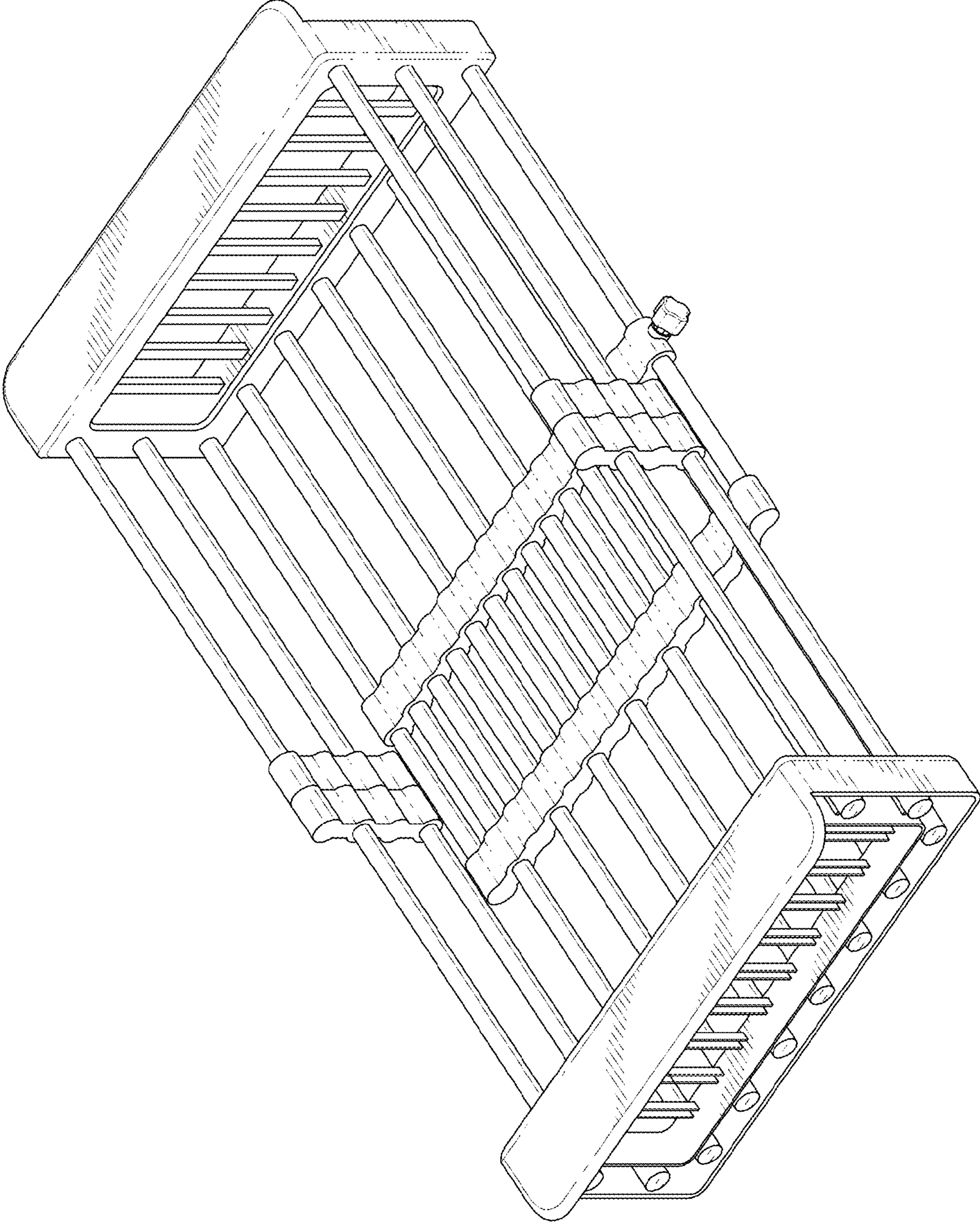


FIG.8