



US00D871701S

(12) **United States Design Patent** (10) **Patent No.:** **US D871,701 S**
Goodman et al. (45) **Date of Patent:** **** Dec. 31, 2019**

(54) **ORGANIZER**

(71) Applicant: **Spectrum Diversified Designs, LLC**,
Streetsboro, OH (US)

(72) Inventors: **Aaron Goodman**, Beachwood, OH
(US); **Megan Dittrich**, Twinsburg, OH
(US)

(73) Assignee: **Spectrum Diversified Designs, LLC**,
Streetsboro, OH (US)

(**) Term: **15 Years**

(21) Appl. No.: **29/633,567**

(22) Filed: **Jan. 15, 2018**

(51) **LOC (12) Cl.** **07-05**

(52) **U.S. Cl.**
USPC **D32/55**

(58) **Field of Classification Search**
USPC D32/55, 276, 3; D6/510, 525; D30/133;
211/41.5, 41.4, 41.3, 41.8; 361/679.4;
312/311, 333, 334.4; D7/354, 629
CPC .. A47L 15/505; A47L 15/503; A47L 15/0013;
A47L 19/02; A47L 19/04; A47J 47/20
See application file for complete search history.

(56) **References Cited**

U.S. PATENT DOCUMENTS

D592,434 S *	5/2009	Thompson	D6/553
D626,363 S *	11/2010	Yang	D6/525
D655,472 S *	3/2012	Krus	D32/55
D694,037 S *	11/2013	Primeau	D6/514
D699,012 S *	2/2014	Ziemann	D32/55
D727,654 S *	4/2015	Tollasepp	D6/553
D762,980 S *	8/2016	Aller	D3/304
D765,334 S *	8/2016	Donald	D32/55
D774,762 S *	12/2016	Aller	D3/304

D775,464 S *	1/2017	Aller	D3/304
D794,893 S *	8/2017	Libman	D32/55
D816,286 S *	4/2018	Kim	D32/55
D816,934 S *	5/2018	Klipshtein	D32/55
D833,699 S *	11/2018	Serrahima	D32/55
2014/0346102 A1*	11/2014	Housley	A47J 43/24 210/232

OTHER PUBLICATIONS

Crate&Barrel, Kohler® Brush Caddy | Crate and Barrel, Web page, <https://www.crateandbarrel.com/kohler-brush-caddy/s607265>, dated Sep. 19, 2017, pp. 1-3.
Sur La Table, OXO Good Grips Stainless Steel Sink Caddy | Sur La Table, web page, <https://www.surlatable.com/product/PRO-3066875/OXO+Good+Grips+Stainless+Steel+Sink+Caddy>, dated Sep. 19, 2017, pp. 1-4.
The Lake Side Collection, Sink Caddy | The Lakeside Collection web page, <https://www.lakeside.com/Kitchen-%26-Dining/Storage-%26-Organization/Sink+Caddy/prod19001813.jsp>, dated Sep. 19, 2017, pp. 1-2.

* cited by examiner

Primary Examiner — Austin Murphy
(74) *Attorney, Agent, or Firm* — Tucker Ellis LLP

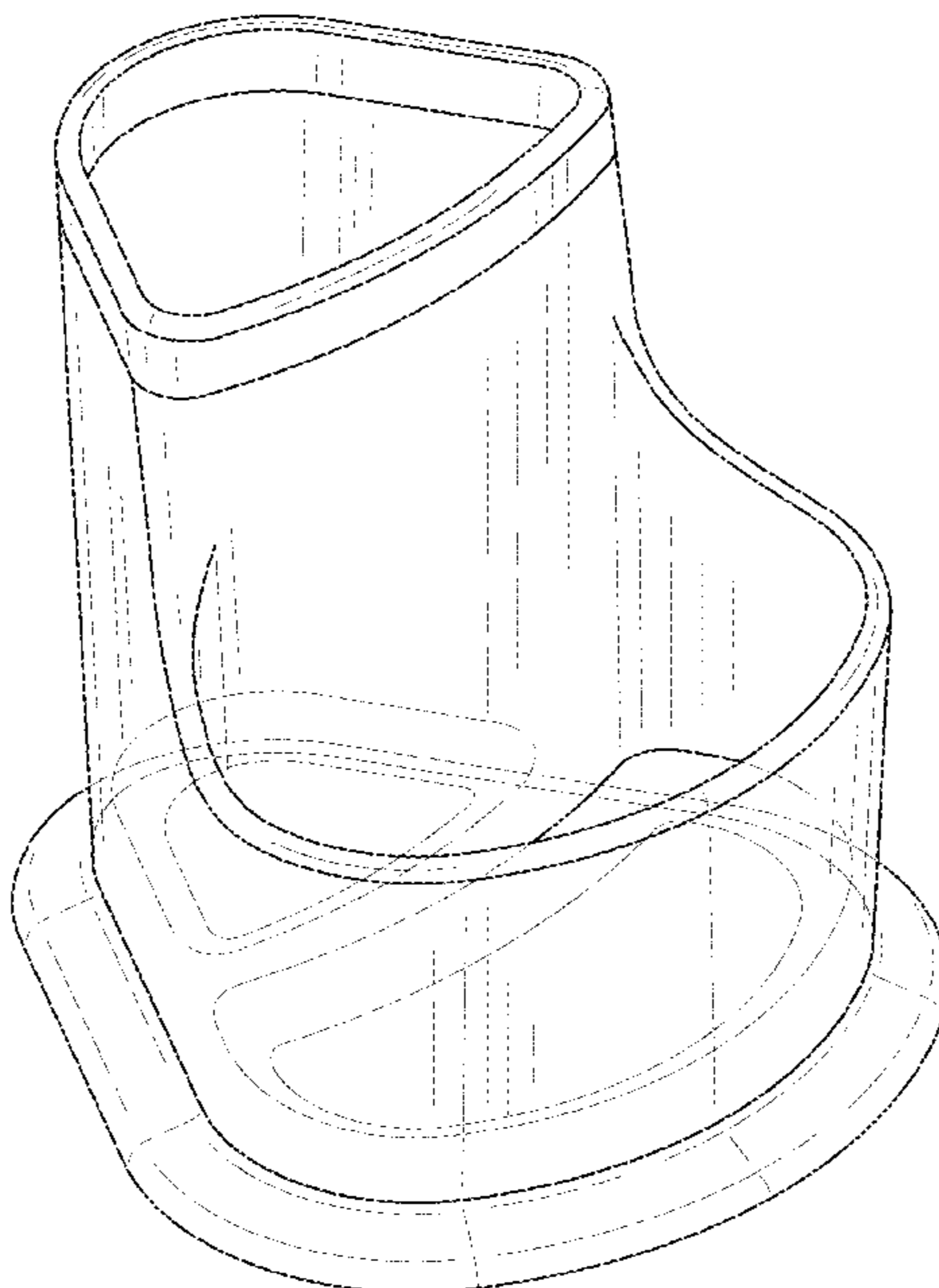
(57) **CLAIM**

The ornamental design for an organizer, as shown and described.

DESCRIPTION

FIG. 1 is a perspective view of an organizer showing our new design.
FIG. 2 is a left side view thereof.
FIG. 3 is a right side view thereof.
FIG. 4 is a front view thereof.
FIG. 5 is a rear view thereof.
FIG. 6 is a top view thereof; and,
FIG. 7 is a bottom view thereof.

1 Claim, 4 Drawing Sheets



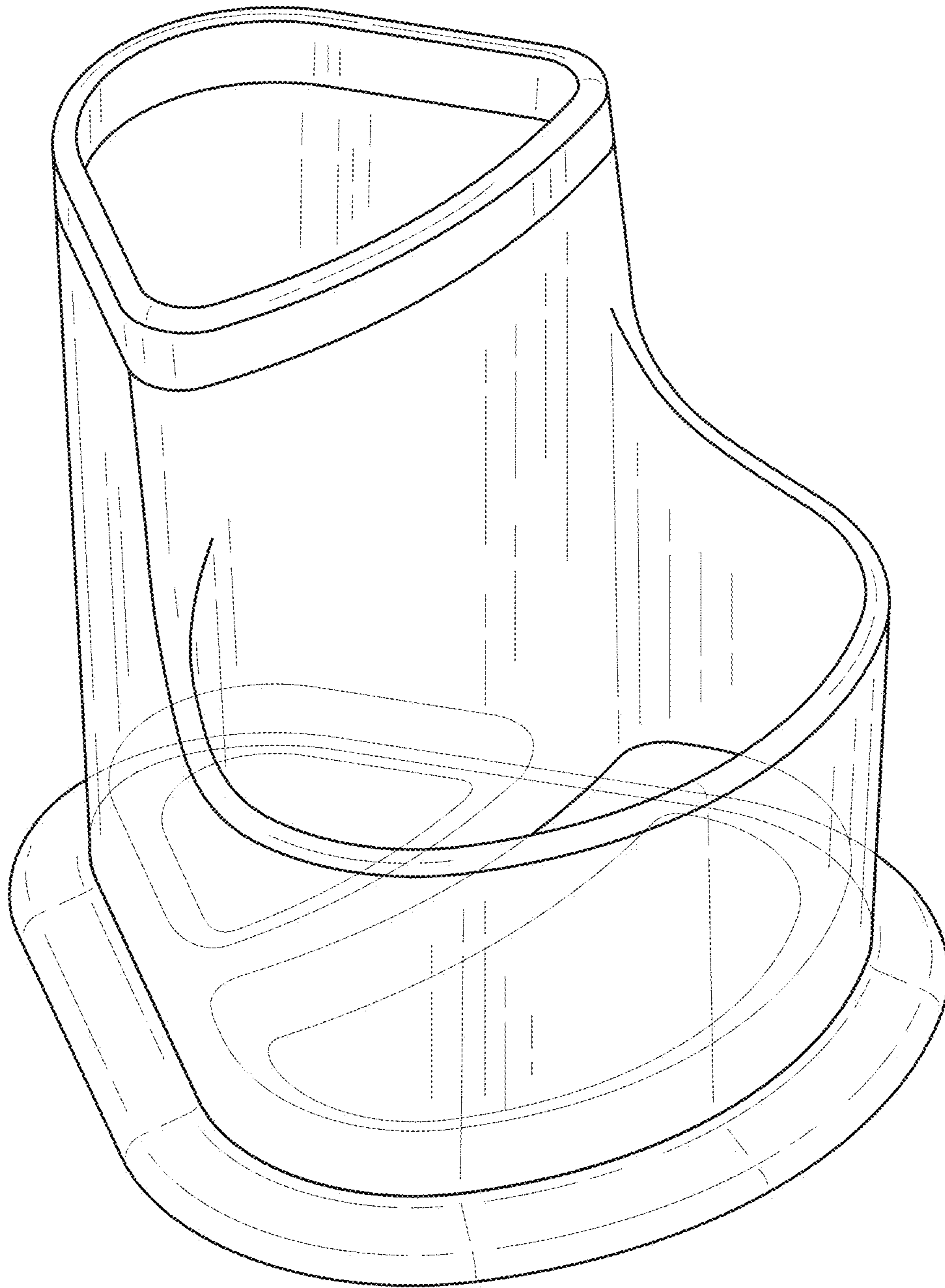


FIG. 1

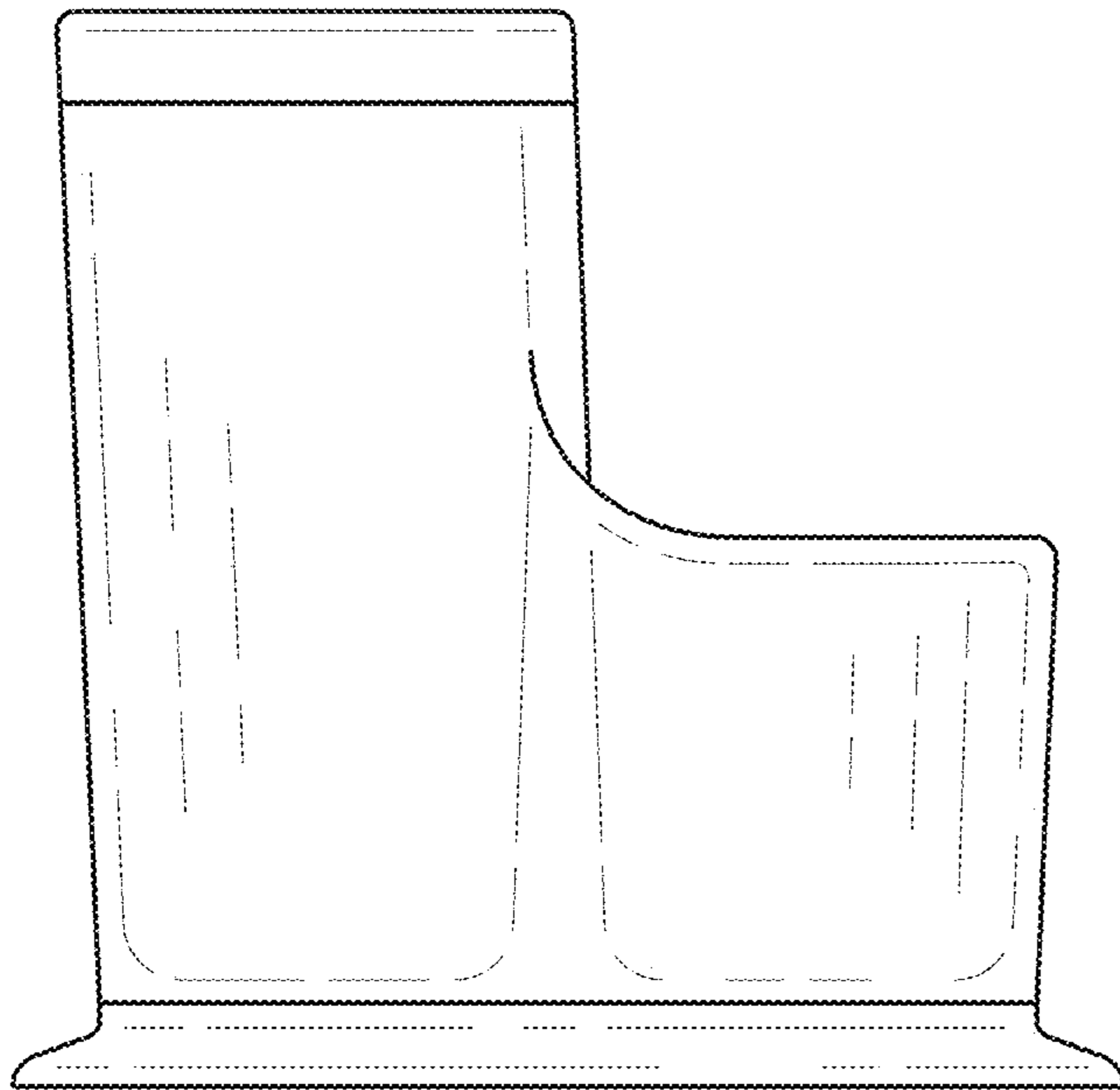


FIG. 2

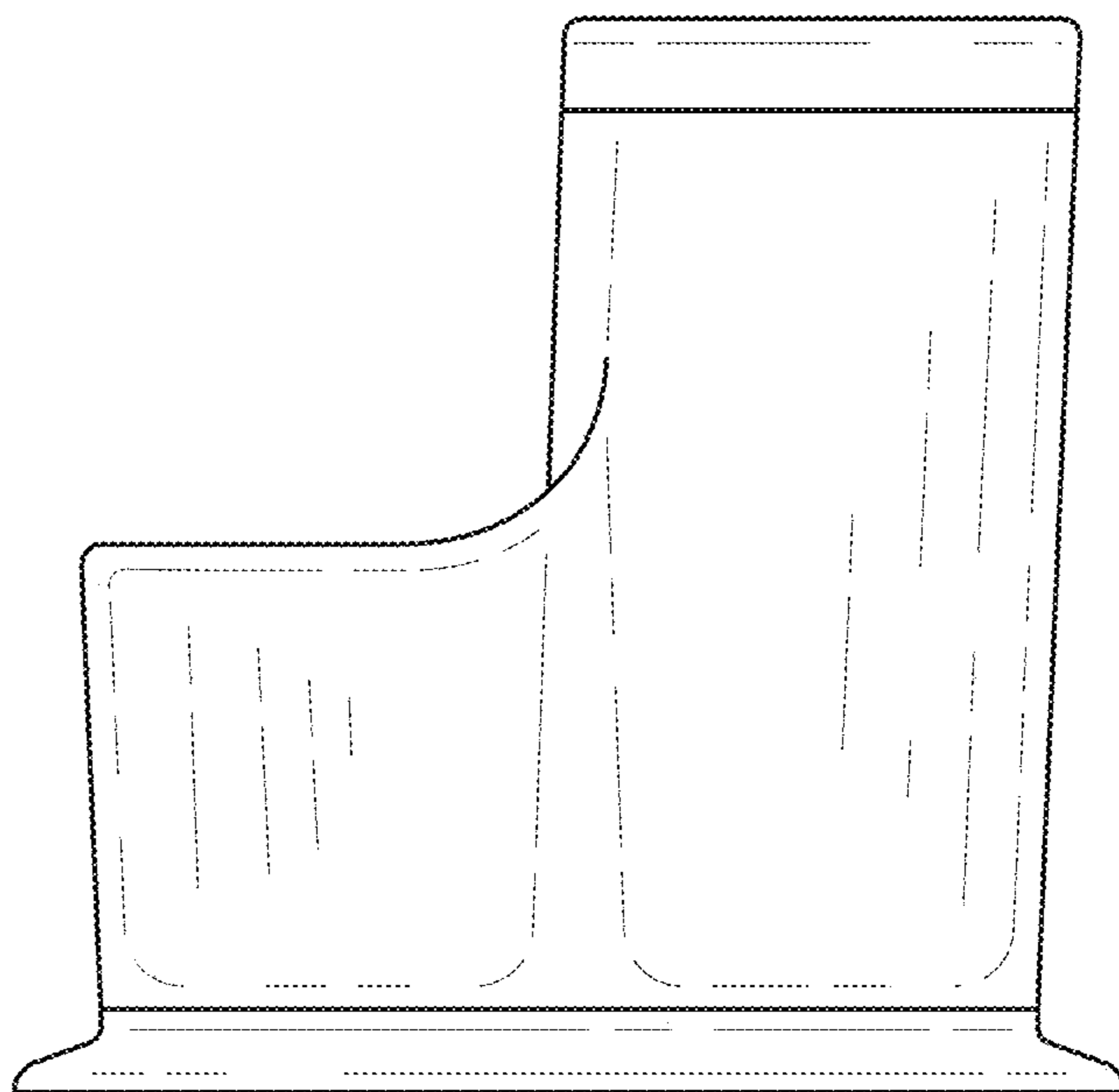


FIG. 3

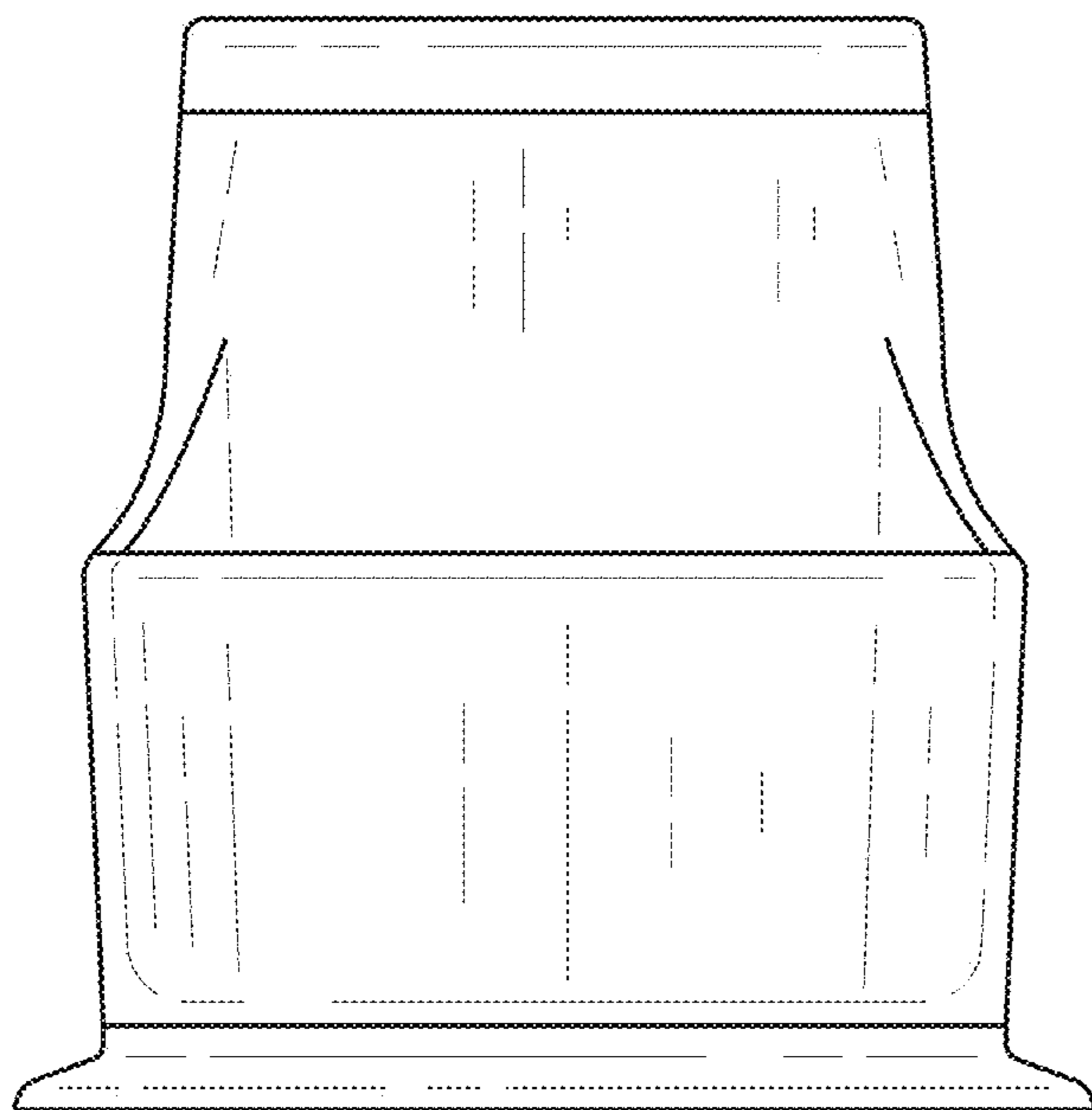


FIG. 4

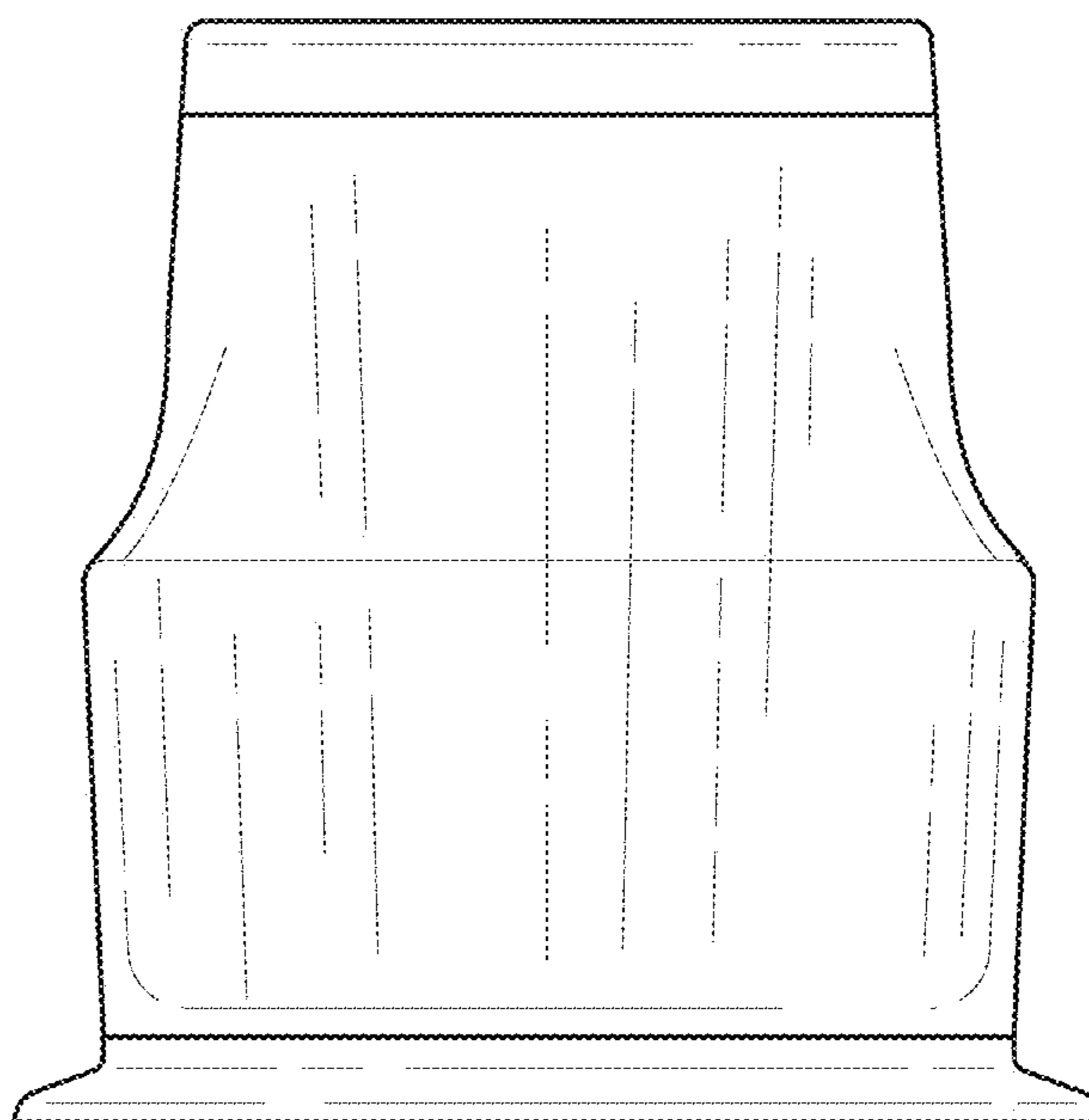


FIG. 5

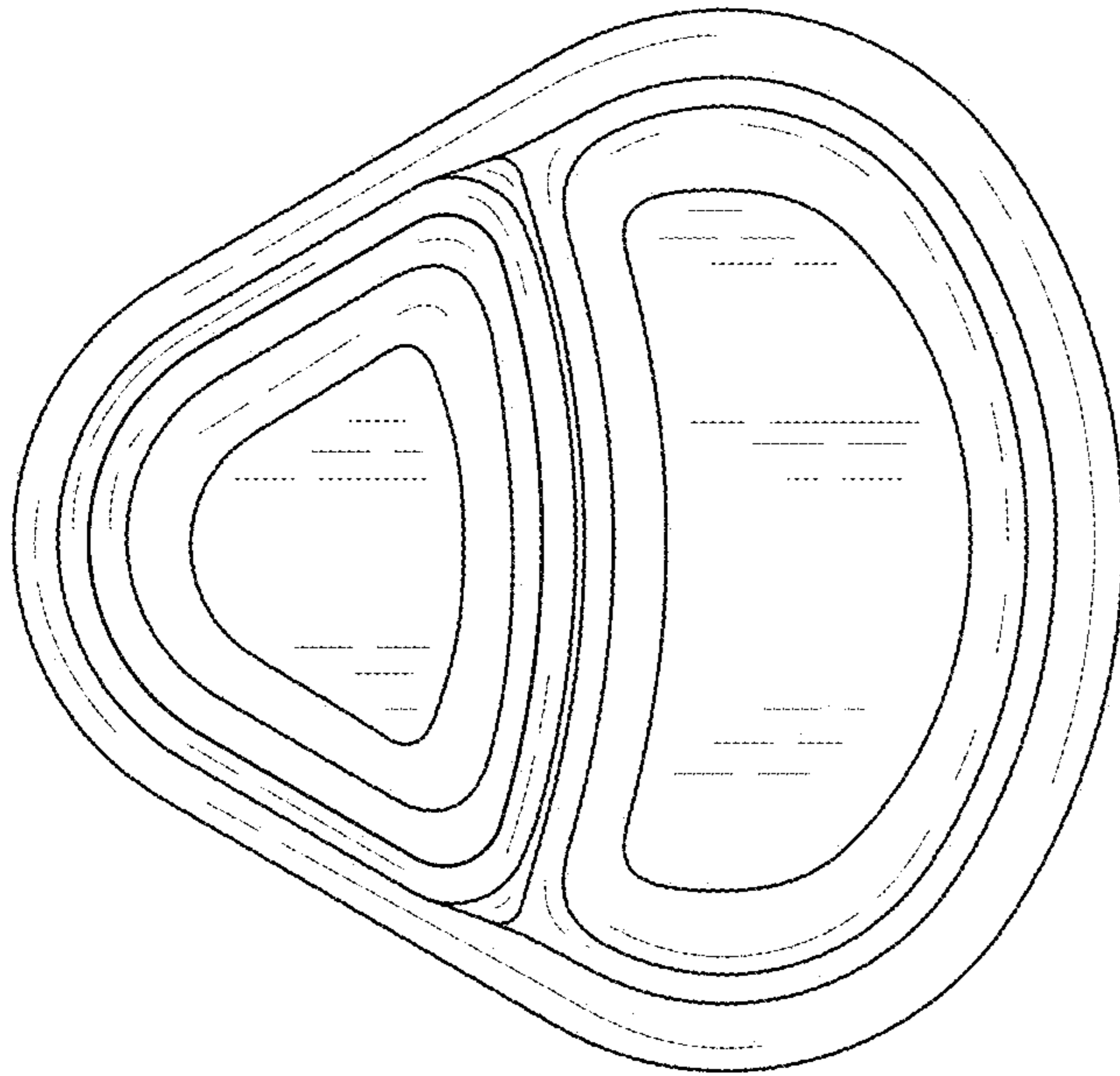


FIG. 6

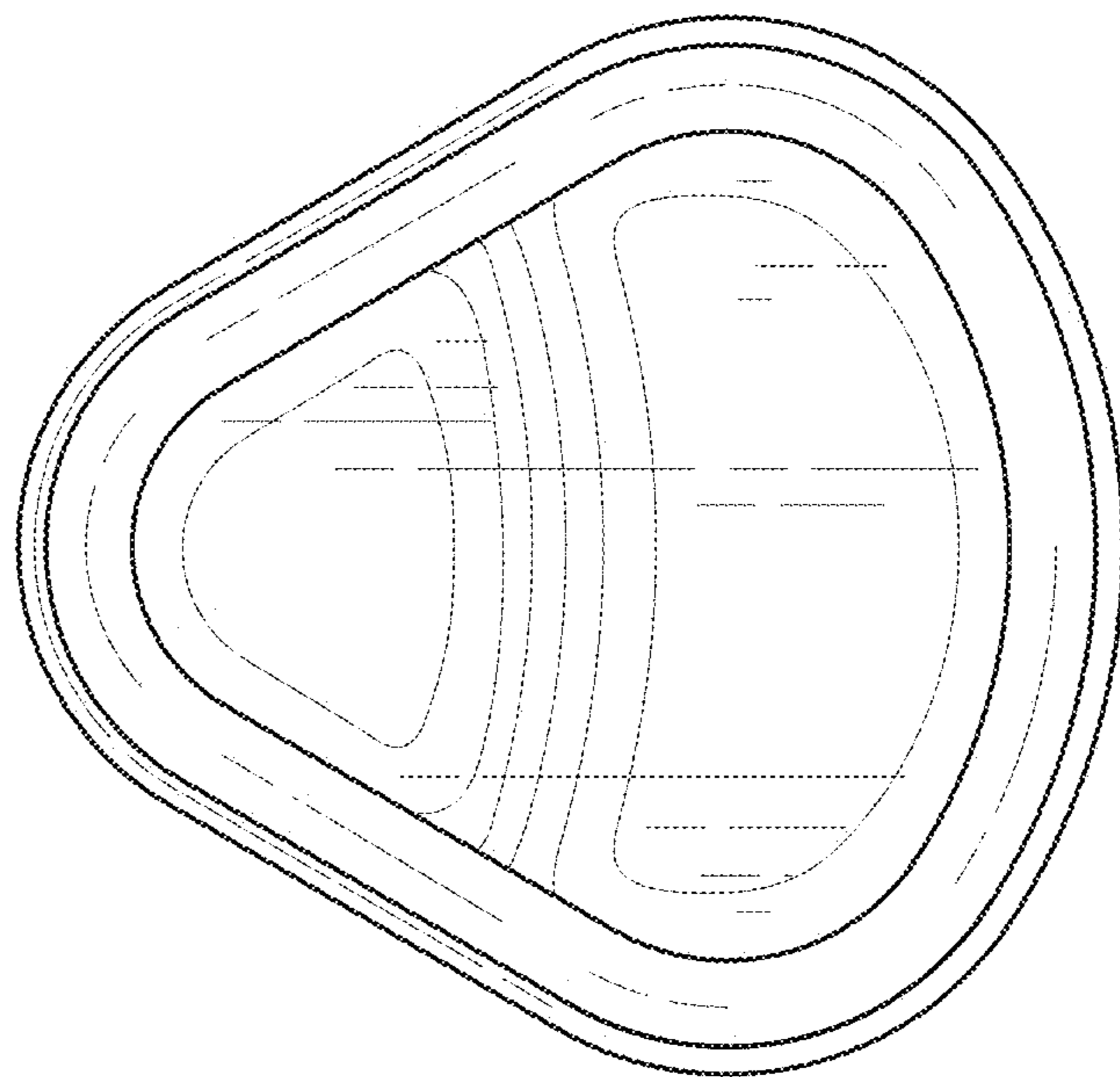


FIG. 7