



US00D871700S

(12) **United States Design Patent**
Martinez

(10) **Patent No.:** **US D871,700 S**

(45) **Date of Patent:** **** Dec. 31, 2019**

(54) **NOZZLE ATTACHMENT FOR A VACUUM CLEANER**

(71) Applicant: **SHOP VAC CORPORATION,**
Williamsport, PA (US)

(72) Inventor: **David Martinez,** Williamsport, PA (US)

(73) Assignee: **SHOP VAC CORPORATION,**
Williamsport, PA (US)

(**) Term: **15 Years**

(21) Appl. No.: **29/648,163**

(22) Filed: **May 18, 2018**

(51) **LOC (12) Cl.** **15-05**

(52) **U.S. Cl.**
USPC **D32/32**

(58) **Field of Classification Search**
USPC D32/17, 18, 22, 31-33
CPC ... A47L 5/24; A47L 5/362; A47L 5/36; A47L
5/28; A47L 9/102; A47L 9/1683; B01D
50/002

See application file for complete search history.

(56) **References Cited**

U.S. PATENT DOCUMENTS

D264,139 S * 4/1982 Pearman, Jr. D32/33
D483,536 S * 12/2003 Martin D28/18

D621,565 S * 8/2010 Pierce D32/32
D674,978 S * 1/2013 Hill D32/32
D701,011 S * 3/2014 Miller D32/32
D756,576 S * 5/2016 Wang D32/15
D759,921 S * 6/2016 Shields D32/32
D793,638 S * 8/2017 LaBarbera D32/32
D815,380 S * 4/2018 Bond D32/32
D852,443 S * 6/2019 Martin D32/33

* cited by examiner

Primary Examiner — Ruth McInroy

(74) *Attorney, Agent, or Firm* — Marshall, Gerstein &
Borun LLP

(57) **CLAIM**

The ornamental design for a nozzle attachment for a vacuum cleaner, as shown and described.

DESCRIPTION

FIG. 1 is a top, front and right-side perspective view of a nozzle attachment for a vacuum cleaner showing my new design;

FIG. 2 is a front view thereof;

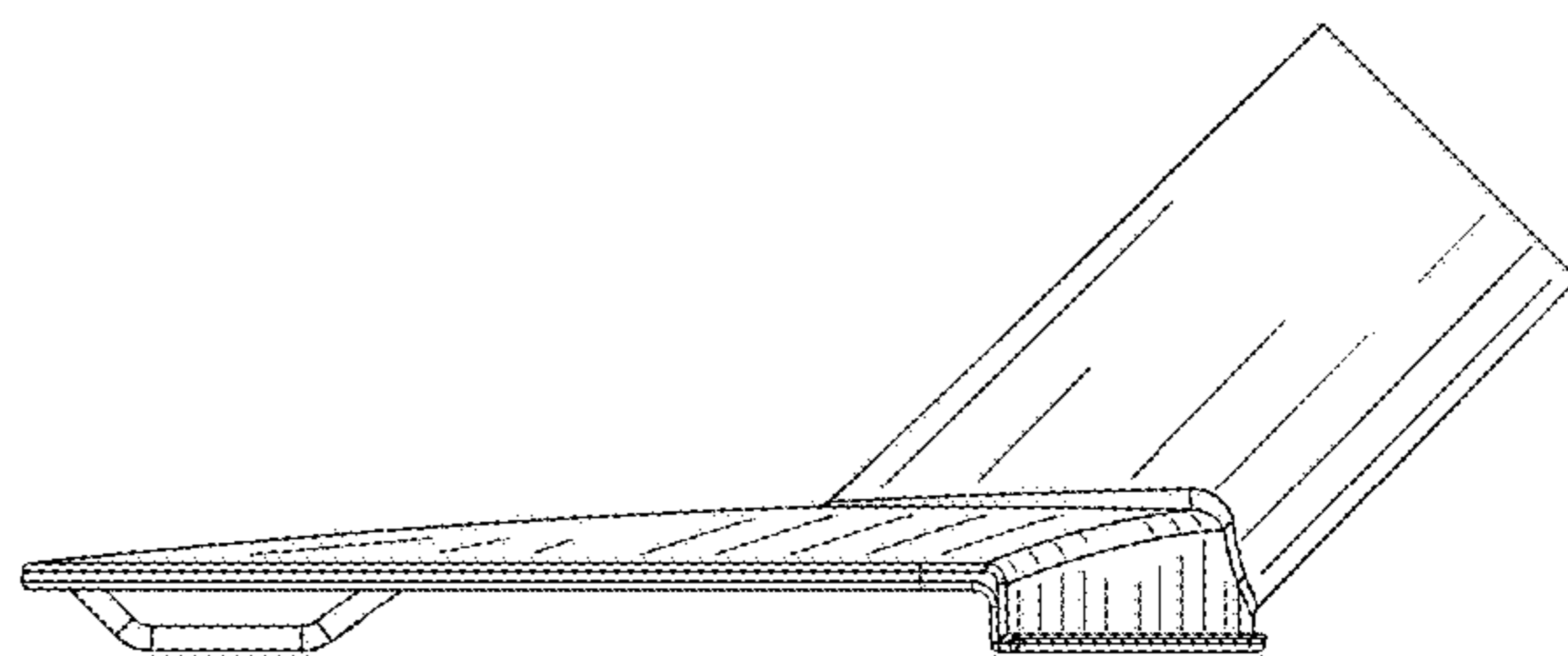
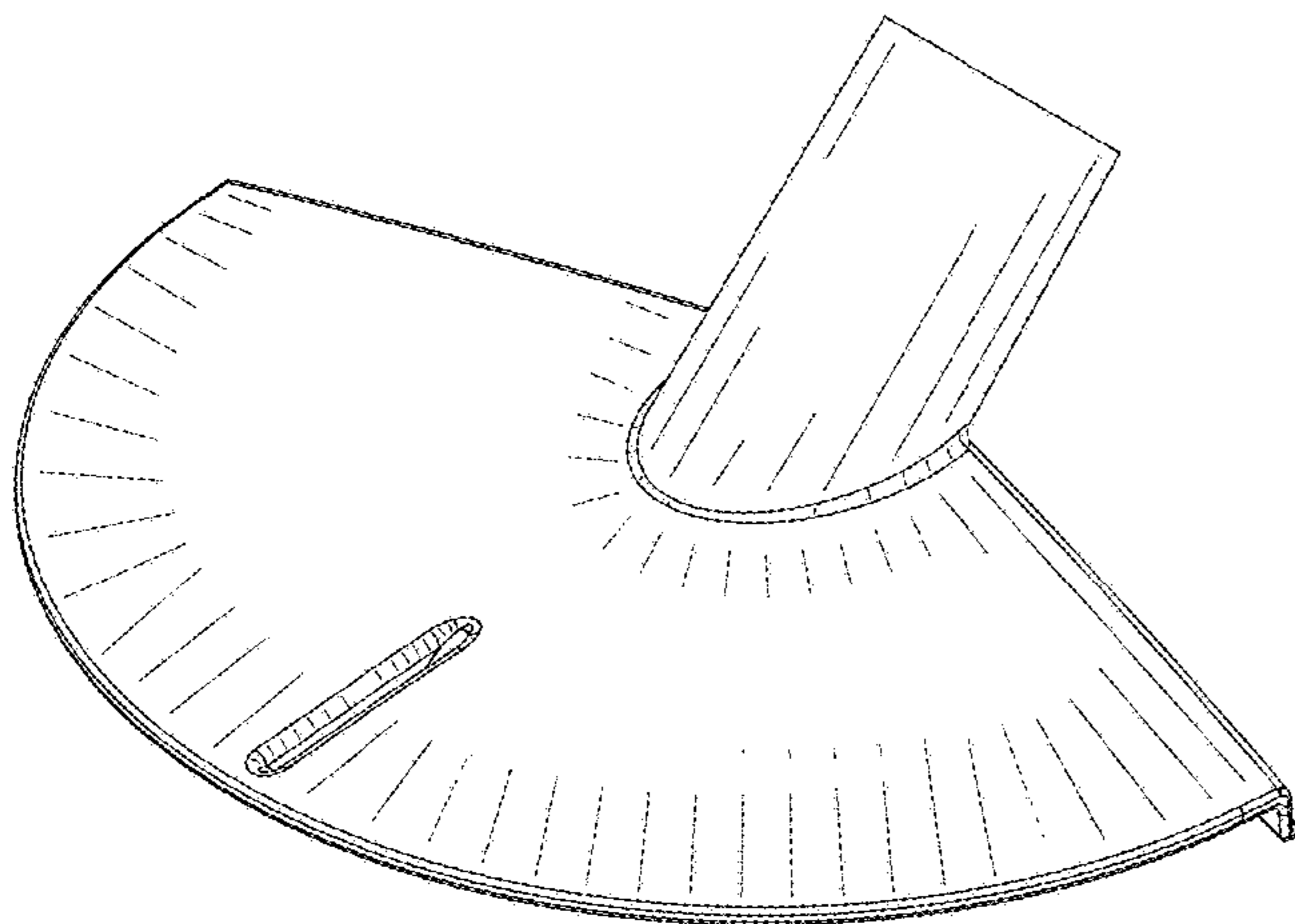
FIG. 3 is a right-side view thereof, the left side being a mirror image;

FIG. 4 is a rear view thereof; and,

FIG. 5 is a top view thereof.

The details shown in broken lines form no part of the claimed design.

1 Claim, 5 Drawing Sheets



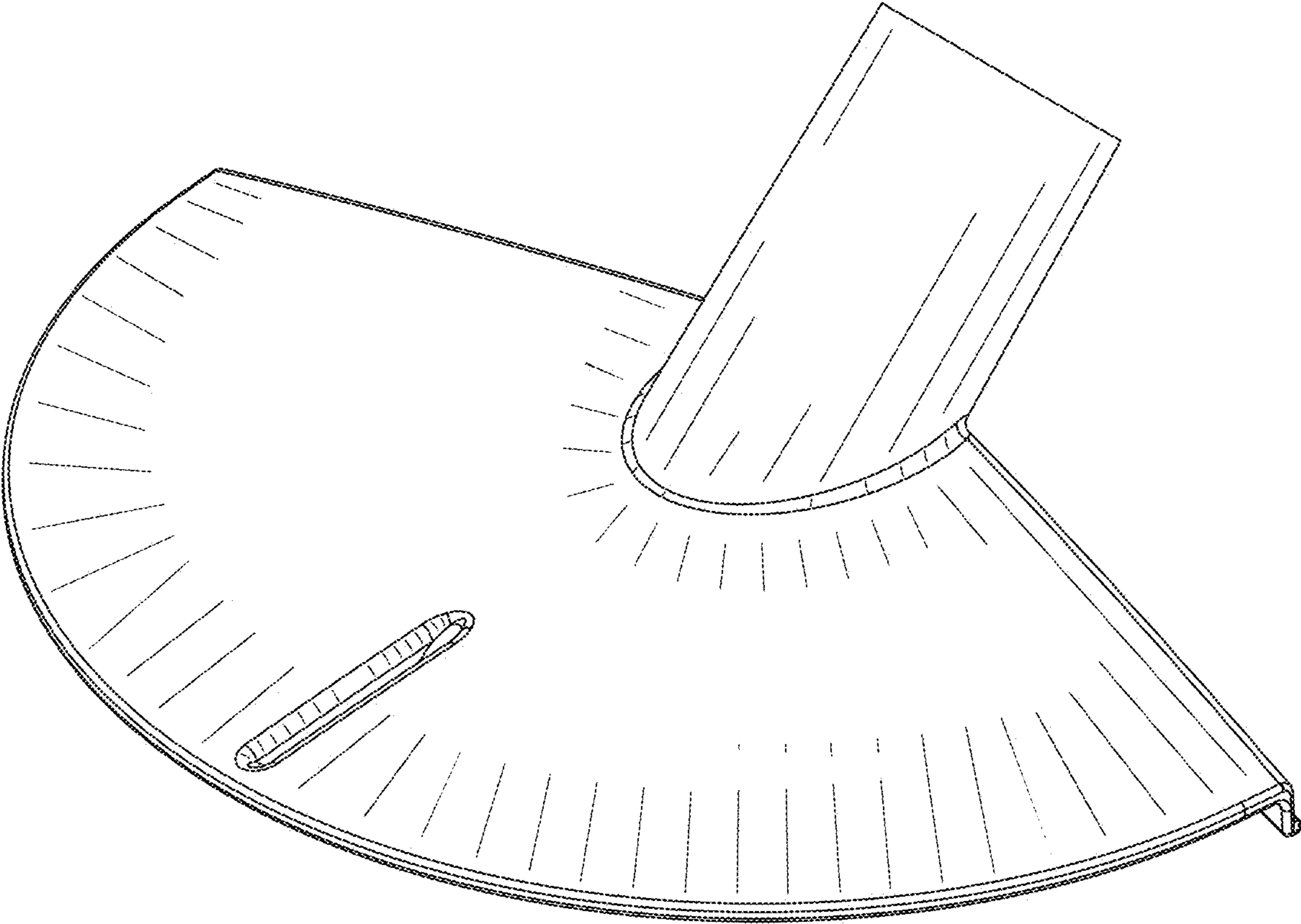


Fig. 1

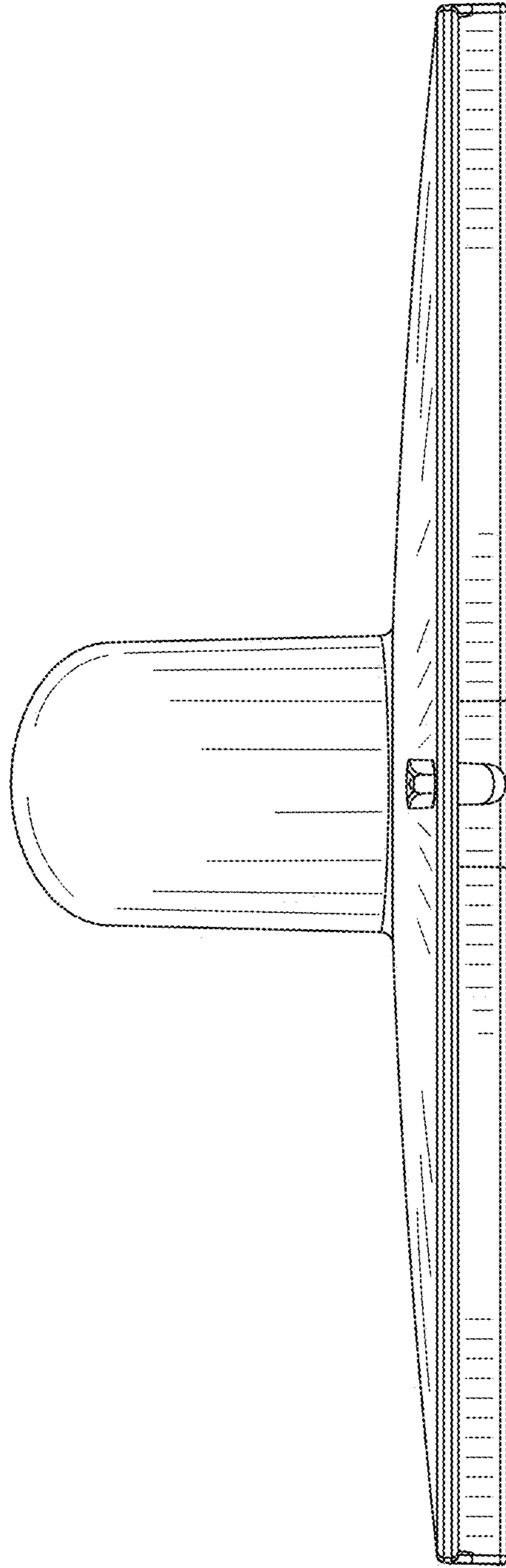


Fig. 2

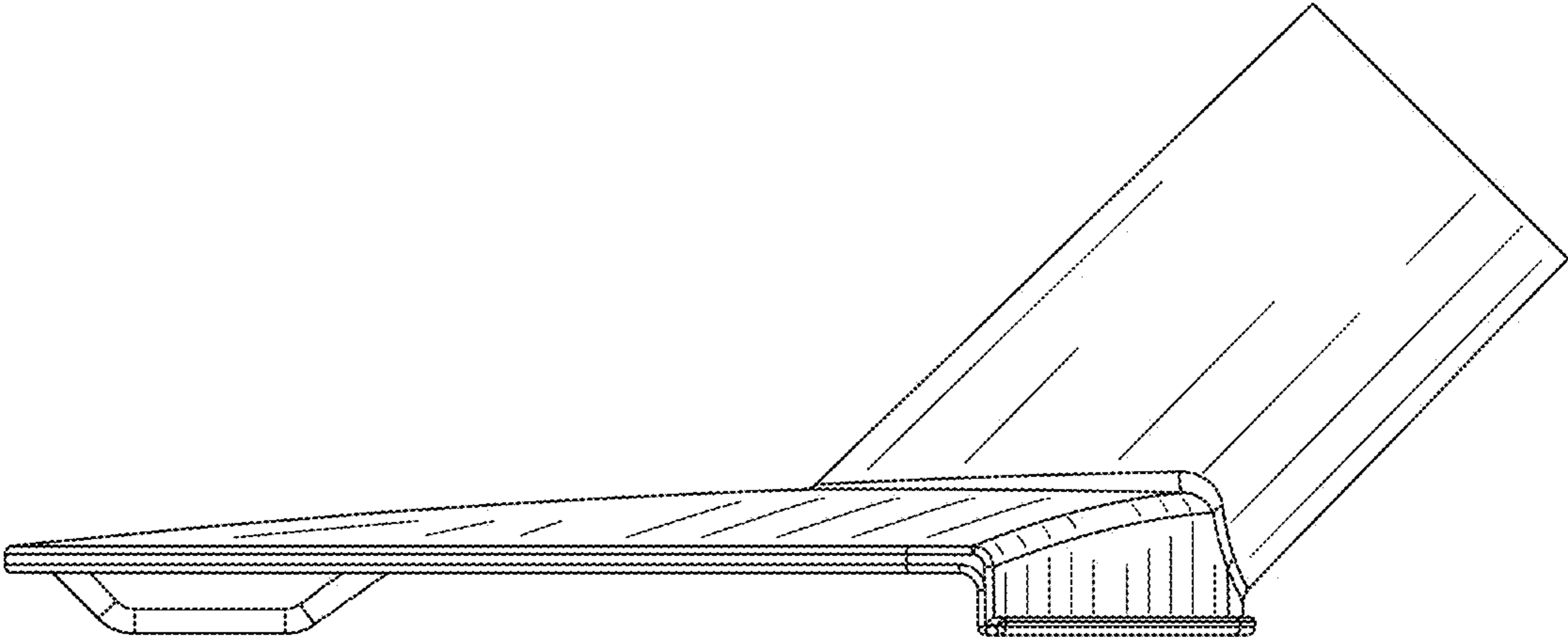


Fig. 3

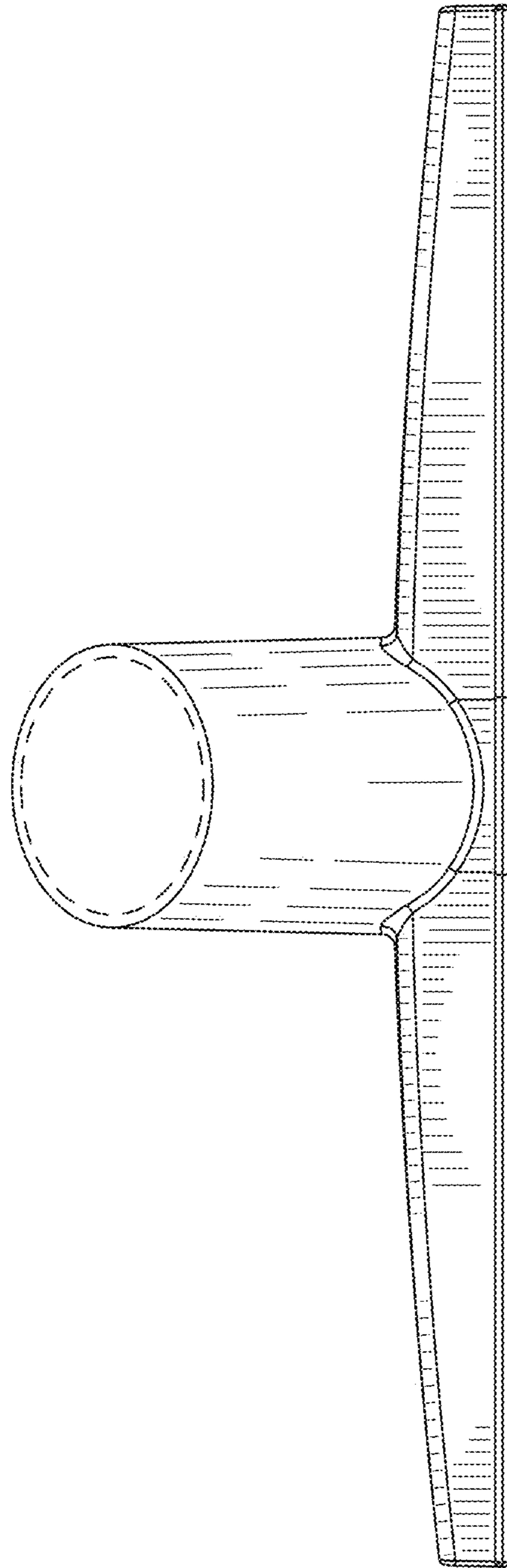


Fig. 4

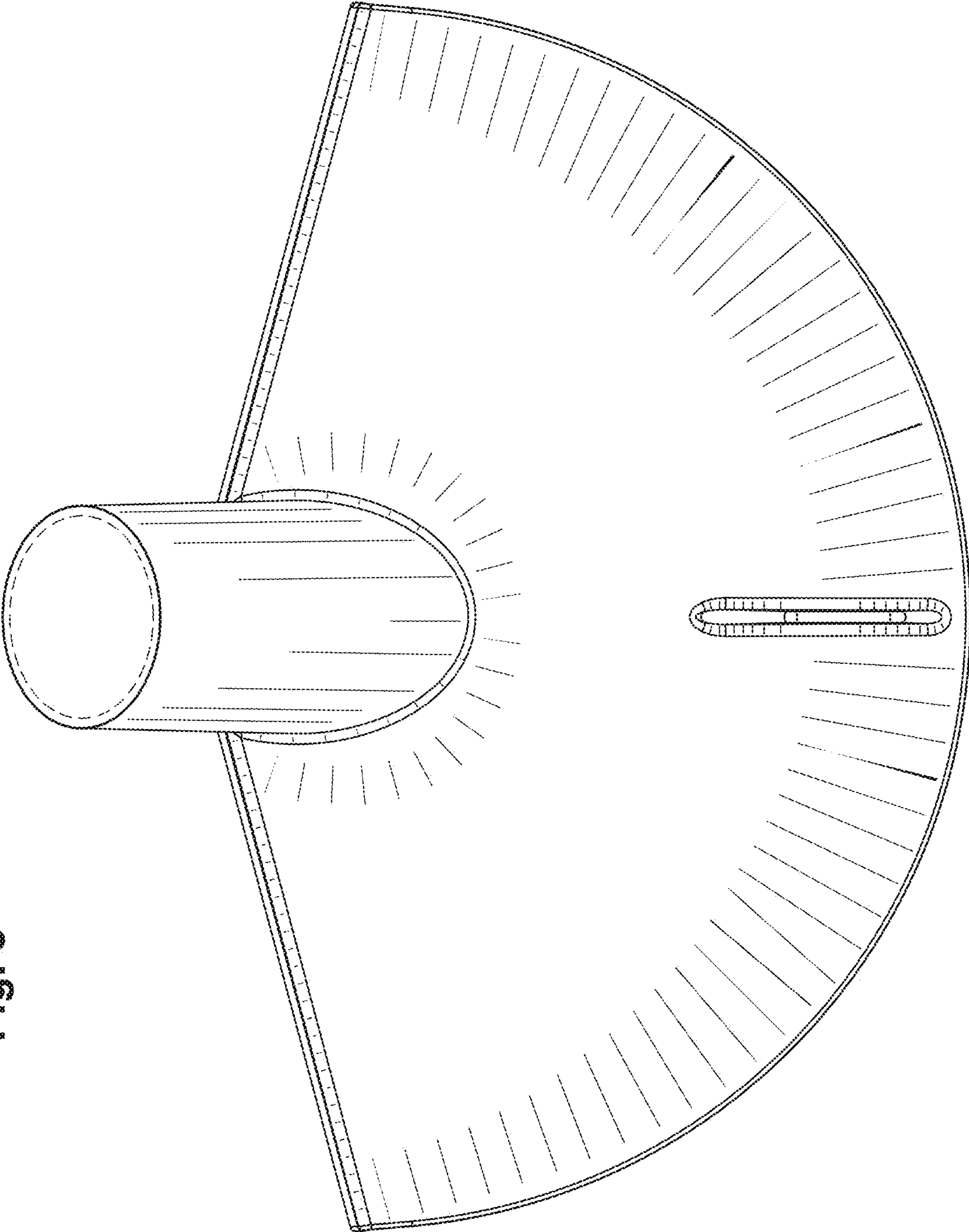


Fig. 5