



US00D871692S

(12) **United States Design Patent**
Liu

(10) **Patent No.:** **US D871,692 S**
(45) **Date of Patent:** **** Dec. 31, 2019**

(54) **PORTABLE WASHING MACHINE**
(71) Applicant: **Shenzhen K-MAX Technology Co., LTD**, Shenzhen (CN)
(72) Inventor: **Ke Liu**, Guangdong (CN)
(**) Term: **15 Years**
(21) Appl. No.: **29/705,272**
(22) Filed: **Sep. 11, 2019**
(51) **LOC (12) Cl.** **15-05**
(52) **U.S. Cl.**
USPC **D32/6**
(58) **Field of Classification Search**
USPC D32/1, 5, 6, 8, 10, 15, 16, 28, 29, 29.1
CPC D06F 39/045; D06F 29/00; D06F 29/005;
D06F 25/00; D06F 39/022; D06F 33/02;
D06F 2204/065; D06F 35/006
See application file for complete search history.

1,099,400 A * 6/1914 Sciarrett D06F 5/02
68/215
1,107,939 A * 8/1914 Halliday D06F 5/02
68/215
1,109,494 A * 9/1914 Whitman D06F 5/02
68/215
1,114,974 A * 10/1914 Fay D06F 5/02
68/215
1,193,348 A * 8/1916 Bays D06F 5/02
68/215
1,215,405 A * 2/1917 Perry D06F 15/00
68/122
1,271,852 A * 7/1918 Cauley D06F 5/02
68/215
2,008,556 A * 7/1935 Kubista D06F 43/00
68/122
2,320,230 A * 5/1943 Glisson D06F 15/00
68/122

(Continued)

Primary Examiner — Michelle E. Wilson
(74) *Attorney, Agent, or Firm* — ZANIP

(56) **References Cited**

U.S. PATENT DOCUMENTS

225,392 A * 3/1880 Keller D06F 5/02
68/215
262,830 A * 8/1882 Rarey D06F 5/02
68/215
490,372 A * 1/1893 Spangler D06F 5/02
68/215
523,601 A * 7/1894 Sheehy D06F 5/005
68/213
597,333 A * 1/1898 Snow D06F 5/02
68/215
659,296 A * 10/1900 Flesher D06F 5/02
68/215
742,754 A * 10/1903 Trimble D06F 5/02
68/215
878,190 A * 2/1908 Crooker D06F 5/02
68/215
879,313 A * 2/1908 Perry D06F 5/02
68/215

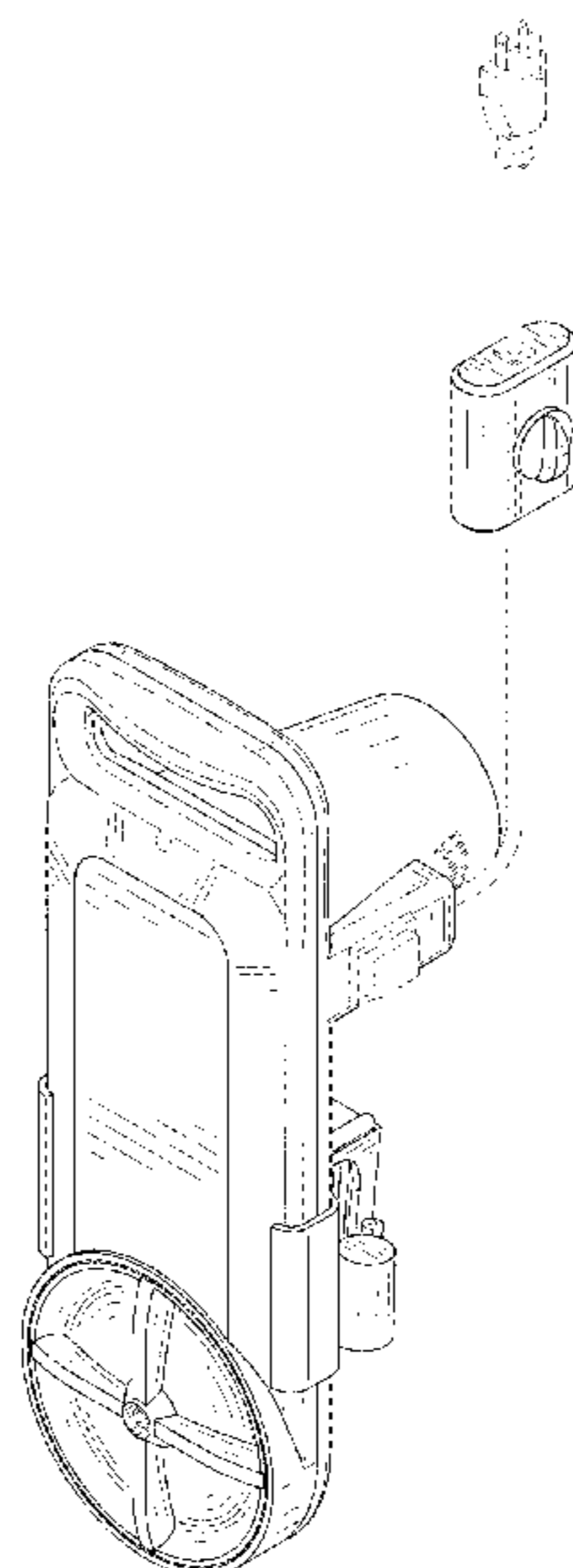
(57) **CLAIM**

The ornamental design for a portable washing machine, as shown and described.

DESCRIPTION

FIG. 1 is a front perspective view of a portable washing machine, showing my new design; FIG. 2 is a rear perspective view thereof; FIG. 3 is a front elevational view thereof; FIG. 4 is a rear elevational view thereof; FIG. 5 is a left side elevational view thereof; FIG. 6 is a right side elevational view thereof; FIG. 7 is a top plan view thereof; and, FIG. 8 is a bottom plan view thereof. The broken lines in the figures illustrate portions of the portable washing machine that form no part of the claimed design.

1 Claim, 8 Drawing Sheets



(56)

References Cited

U.S. PATENT DOCUMENTS

3,512,539	A *	5/1970	Hamilton	B08B 11/00 134/136
6,341,508	B1 *	1/2002	Minassian	D06F 5/02 68/215
D459,037	S *	6/2002	Schober	D32/1
D521,196	S *	5/2006	Seiffert	D32/6
D532,637	S *	11/2006	Bassett	D6/545
7,162,897	B2 *	1/2007	Ball	D06F 5/02 68/215
7,726,521	B2 *	6/2010	Bassett	A47K 5/12 222/180
D657,507	S *	4/2012	Dash	D32/6
8,251,110	B2 *	8/2012	Bassett	A47K 5/12 141/319
D695,979	S *	12/2013	Lee	D32/6
D732,762	S *	6/2015	Joo	D32/6
9,109,316	B1 *	8/2015	Thomson	D06F 5/00
9,752,264	B2 *	9/2017	Silagy	D06F 5/04
D816,923	S *	5/2018	Silagy	D32/6
D858,013	S	8/2019	Kang et al.		
2002/0170323	A1 *	11/2002	Stahl	D06F 1/04 68/122

* cited by examiner

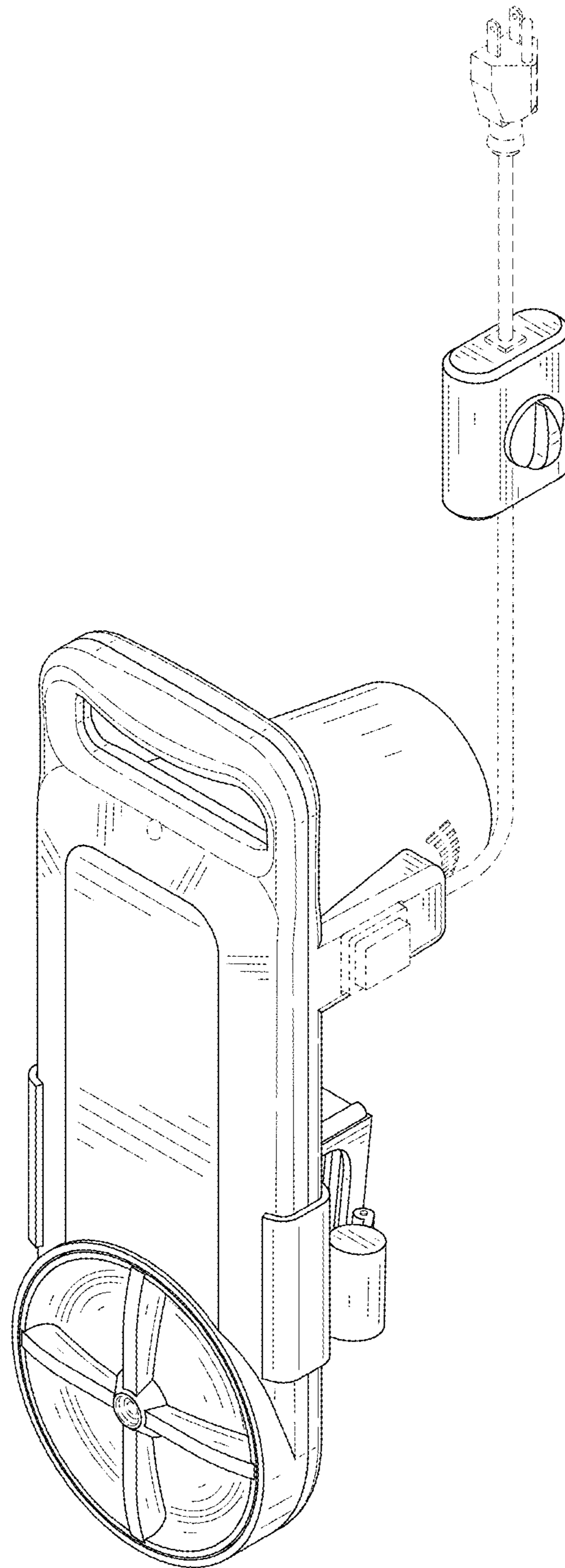


FIG. 1

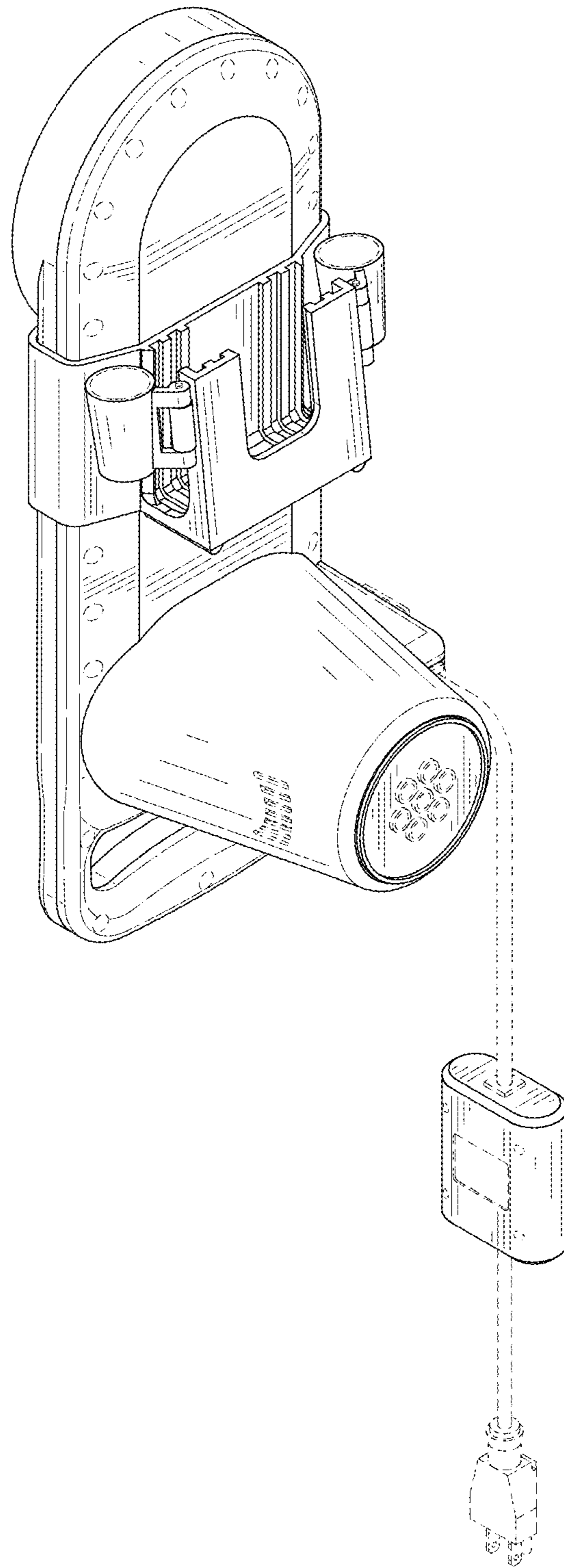


FIG. 2

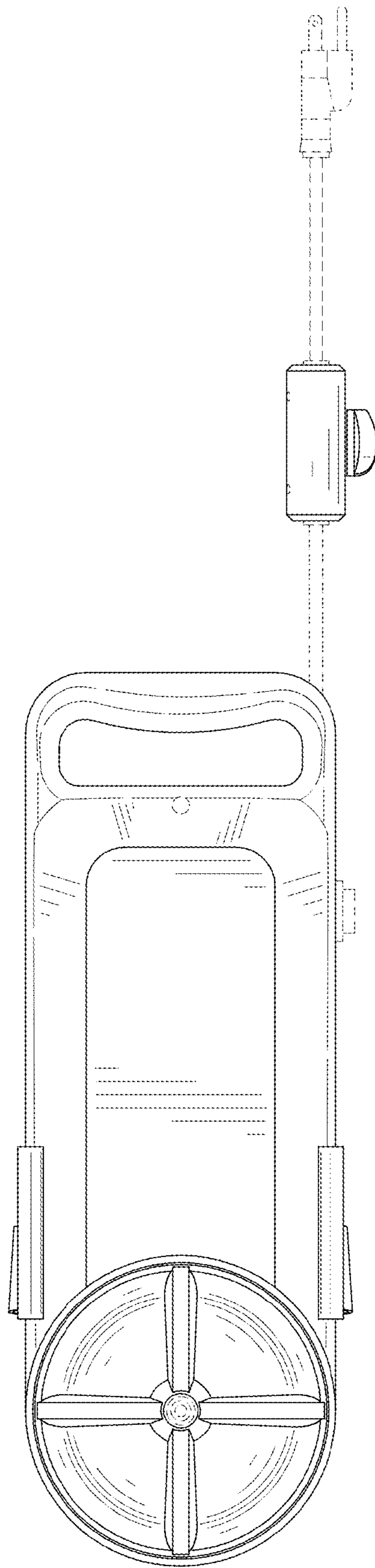


FIG. 3

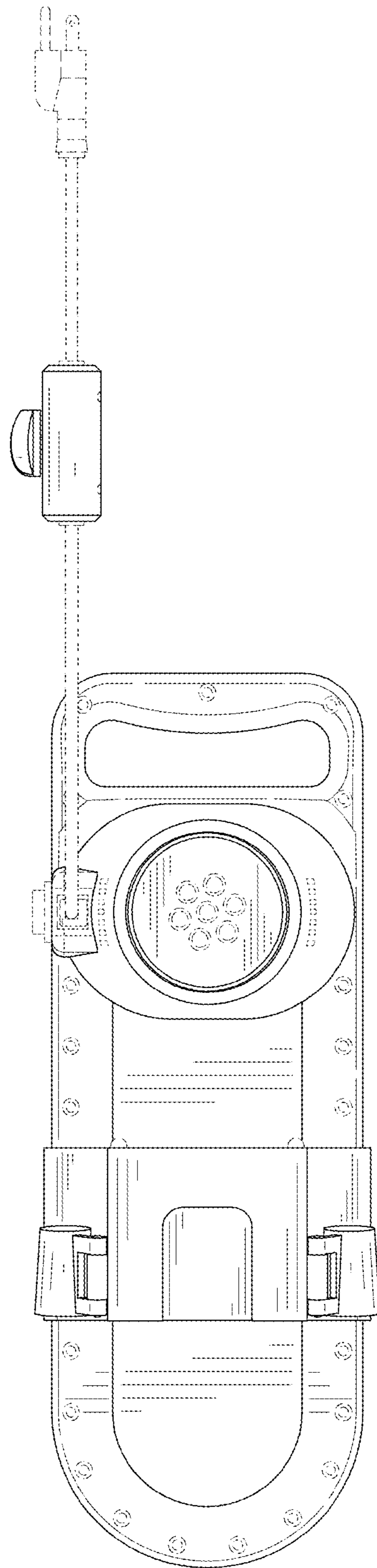


FIG. 4

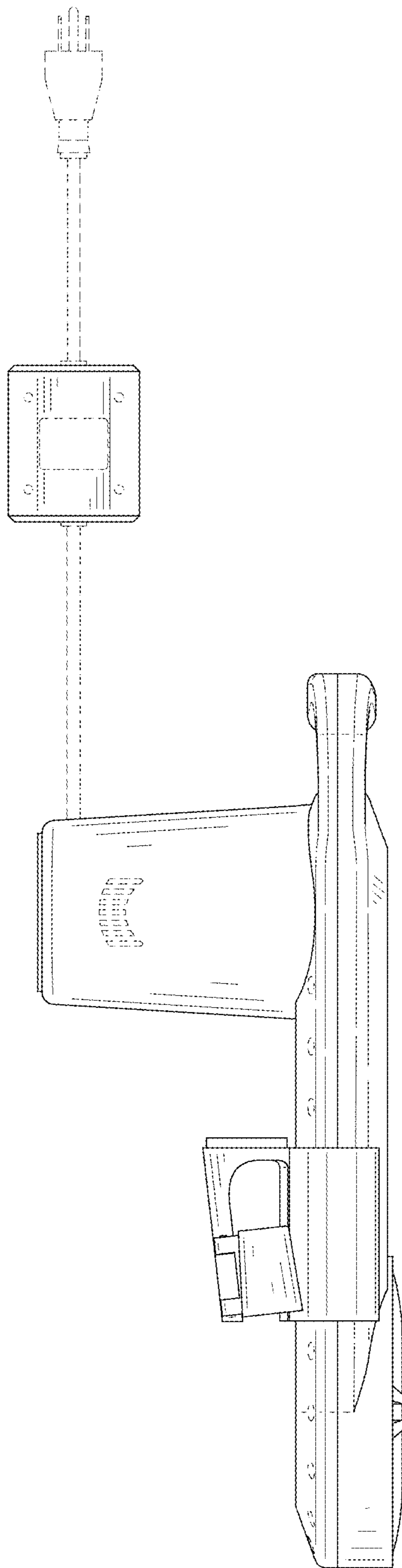


FIG. 5

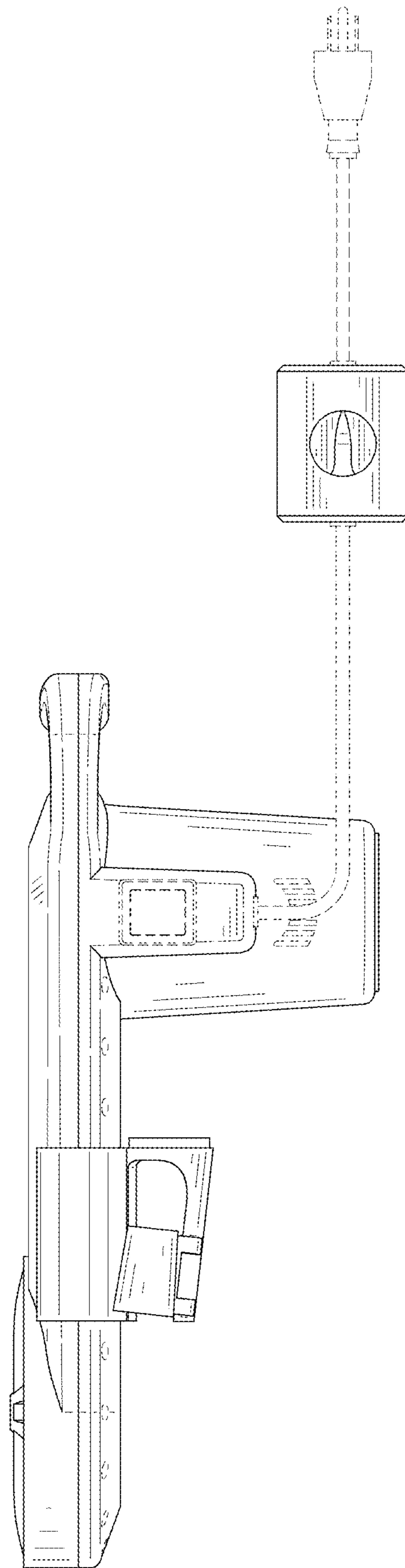


FIG. 6

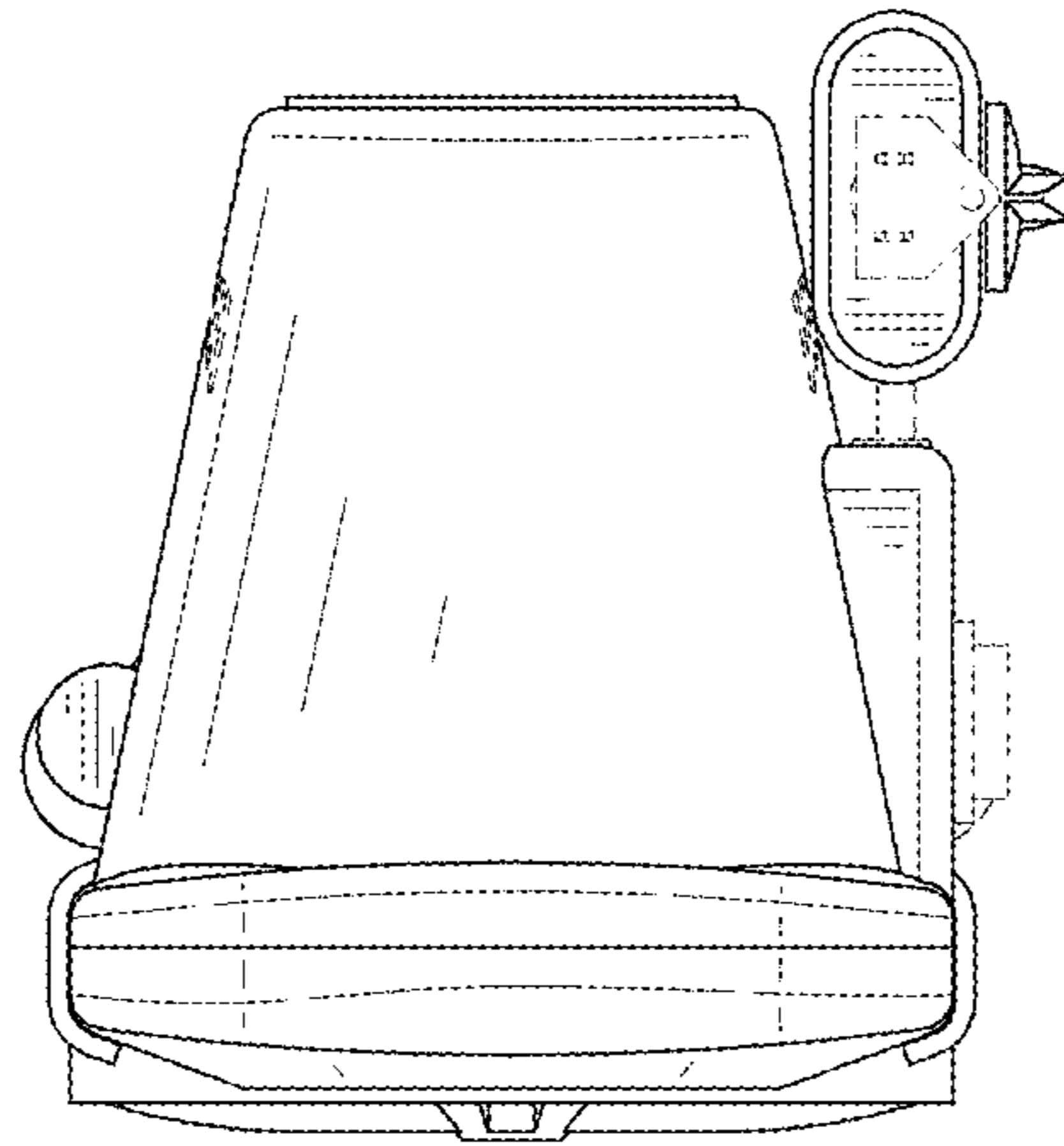


FIG. 7

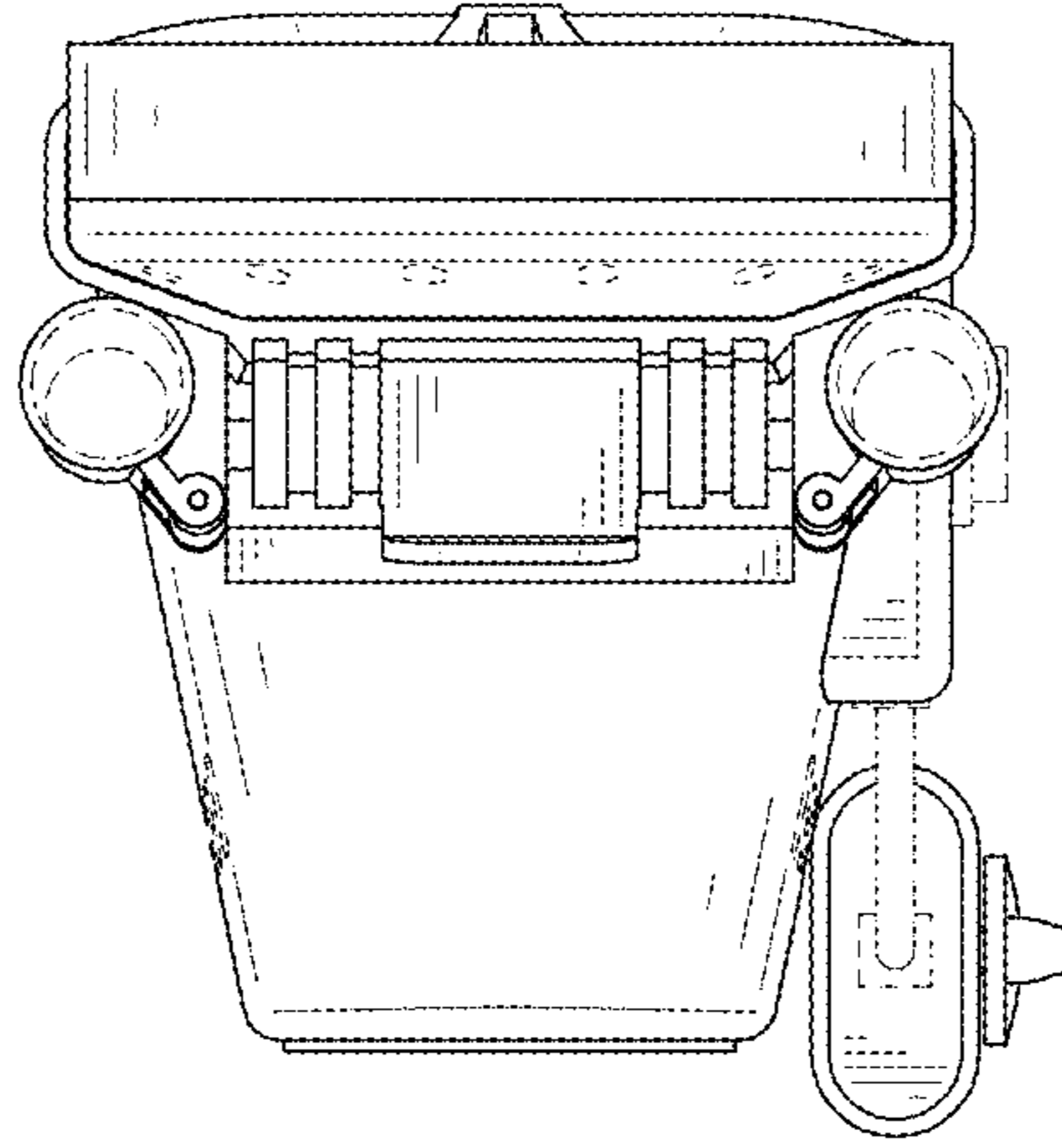


FIG. 8