



US00D871691S

(12) **United States Design Patent** (10) **Patent No.:** **US D871,691 S**
Lee et al. (45) **Date of Patent:** **** Dec. 31, 2019**

(54) **WASHING MACHINE**

(71) Applicant: **Samsung Electronics Co., Ltd.**,
Suwon-si (KR)

(72) Inventors: **Dae-Kyun Lee**, Suwon-si (KR);
Hwa-Yong Shin, Anyang-si (KR)

(73) Assignee: **Samsung Electronics Co., Ltd.**,
Suwon-si (KR)

(**) Term: **15 Years**

(21) Appl. No.: **29/691,914**

(22) Filed: **May 21, 2019**

Related U.S. Application Data

(62) Division of application No. 29/628,265, filed on Dec.
4, 2017.

(30) **Foreign Application Priority Data**

Jun. 2, 2017 (KR) 30-2017-0025202
Jun. 2, 2017 (KR) 30-2017-0025204
Jun. 2, 2017 (KR) 30-2017-0025207
Jun. 2, 2017 (KR) 30-2017-0025217
Jun. 2, 2017 (KR) 30-2017-0025218

(51) **LOC (12) Cl.** **15-05**

(52) **U.S. Cl.**
USPC **D32/6**

(58) **Field of Classification Search**
USPC D32/1, 5, 6, 25, 28, 29

(Continued)

(56) **References Cited**

U.S. PATENT DOCUMENTS

D521,197 S * 5/2006 Kim D32/8
D583,114 S * 12/2008 Jeon D32/8

(Continued)

OTHER PUBLICATIONS

Steam Washer posted by LG posted date Jul. 3, 2014, © Amazon,
[online], [site visited Aug. 15, 2019]. Available from Internet,
<https://www.amazon.com/LG-WM3997HWA-Combination-TrueBalance-Anti-Vibration> (Year: 2014).*

(Continued)

Primary Examiner — Cynthia Ramirez

Assistant Examiner — Laura H Yu

(74) *Attorney, Agent, or Firm* — NSIP Law

(57) **CLAIM**

We claim the ornamental design for a washing machine, as
shown and described.

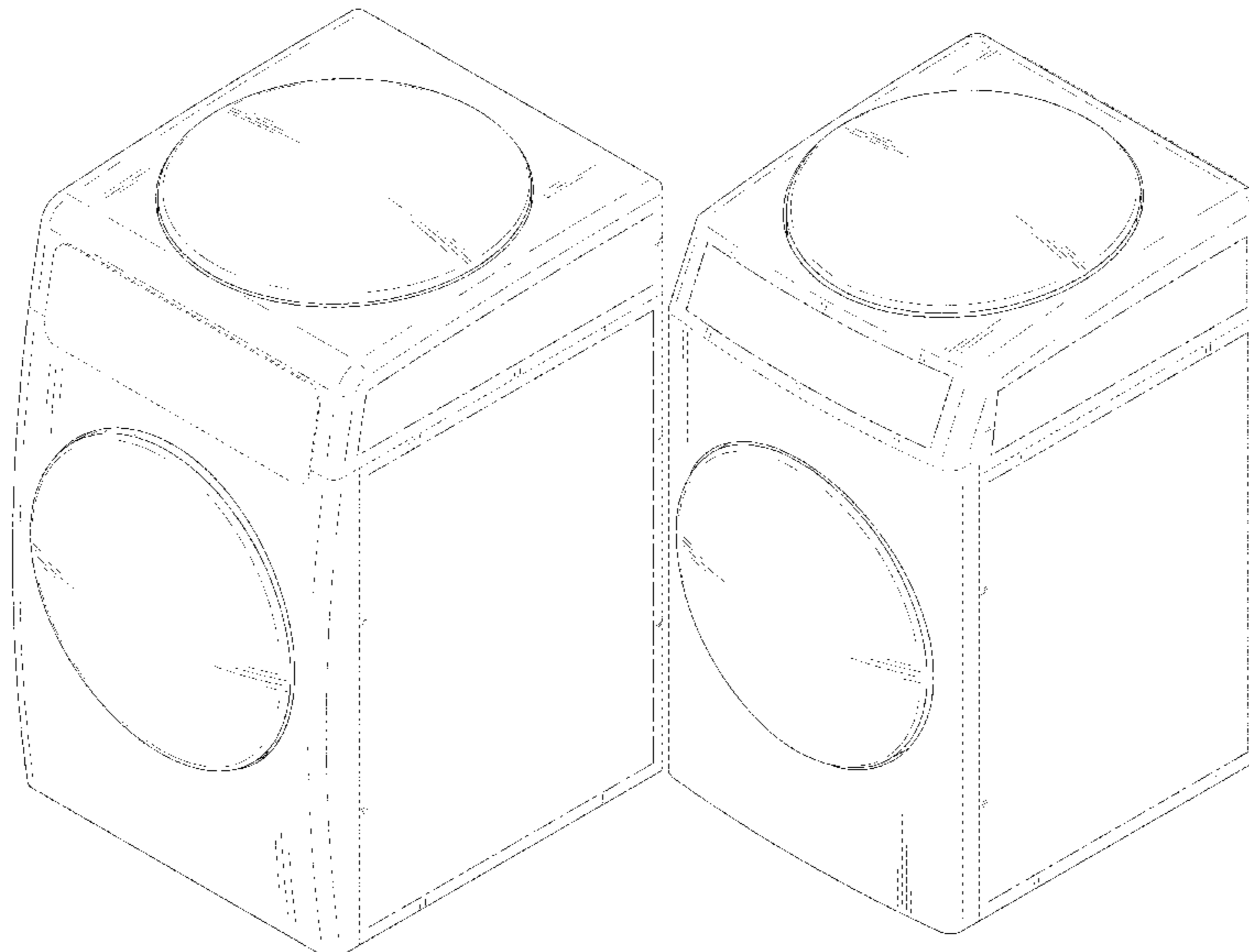
DESCRIPTION

FIG. 1 is a front perspective view of first embodiment of a
washing machine showing our new design;
FIG. 2 is a front elevational view thereof;
FIG. 3 is a rear elevational view thereof;
FIG. 4 is a left-side elevational view thereof;
FIG. 5 is a right-side elevational view thereof;
FIG. 6 is a top plan view thereof;
FIG. 7 is a bottom plan view thereof;
FIG. 8 is a front perspective view of a second embodiment
thereof;
FIG. 9 is a front elevational view thereof;
FIG. 10 is a rear elevational view thereof;
FIG. 11 is a left-side elevational view thereof;
FIG. 12 is a right-side elevational view thereof;
FIG. 13 is a top plan view thereof; and,
FIG. 14 is a bottom plan view thereof.

The evenly spaced broken lines illustrating portions of the
washing machine are for environmental purposes only and
form no part of the claimed design.

The uneven dot-dash broken lines in the figures represent a
boundary line and form no part of the claimed design.

1 Claim, 14 Drawing Sheets



(58) **Field of Classification Search**
 CPC D06F 33/02; D06F 2204/065; D06F 25/00;
 D06F 35/006; D06F 37/28; D06F 39/14;
 D06F 58/203
 See application file for complete search history.

(56) **References Cited**

U.S. PATENT DOCUMENTS

D642,753 S * 8/2011 Ha D32/6
 D648,907 S * 11/2011 Jeon D32/6
 D649,722 S * 11/2011 Chung D32/6
 D651,778 S * 1/2012 Miller D32/25
 D653,006 S * 1/2012 Takahashi D32/6
 D658,340 S * 4/2012 Jeon D32/6
 D680,281 S * 4/2013 Qin D32/6
 D700,410 S * 2/2014 Hwang D32/25
 D739,096 S * 9/2015 Qin D32/6
 D739,097 S * 9/2015 Qin D32/6
 D772,507 S * 11/2016 Bixby D32/25
 D774,715 S * 12/2016 Kim D32/6
 D774,716 S * 12/2016 Kim D32/6
 D780,386 S * 2/2017 Lee D32/6

D824,123 S 7/2018 Yoon et al.
 D825,867 S 8/2018 Yoon et al.
 D826,489 S 8/2018 Yoon et al.
 D827,226 S * 8/2018 Chung D32/6
 D835,865 S 12/2018 Lee et al.
 D839,504 S 1/2019 Ha et al.
 D839,506 S 1/2019 Ha et al.
 D841,908 S * 2/2019 Ayers D32/25
 D848,092 S 5/2019 Yoon et al.
 D850,034 S * 5/2019 Yoon D32/6
 2015/0145388 A1 * 5/2015 Jung D06F 37/267
 312/228
 2017/0191201 A1 * 7/2017 Ku D06F 25/00
 2017/0233927 A1 * 8/2017 Lee D06F 37/04
 68/17 R

OTHER PUBLICATIONS

Flex Wash posted by Samsung posted date Sep. 18, 2017, © Amazon, [online], [site visited Aug. 15, 2019]. Available from Internet, <https://www.amazon.com/Samsung-Total-White-FlexWash-Washer> (Year: 2017).*

* cited by examiner

FIG. 1

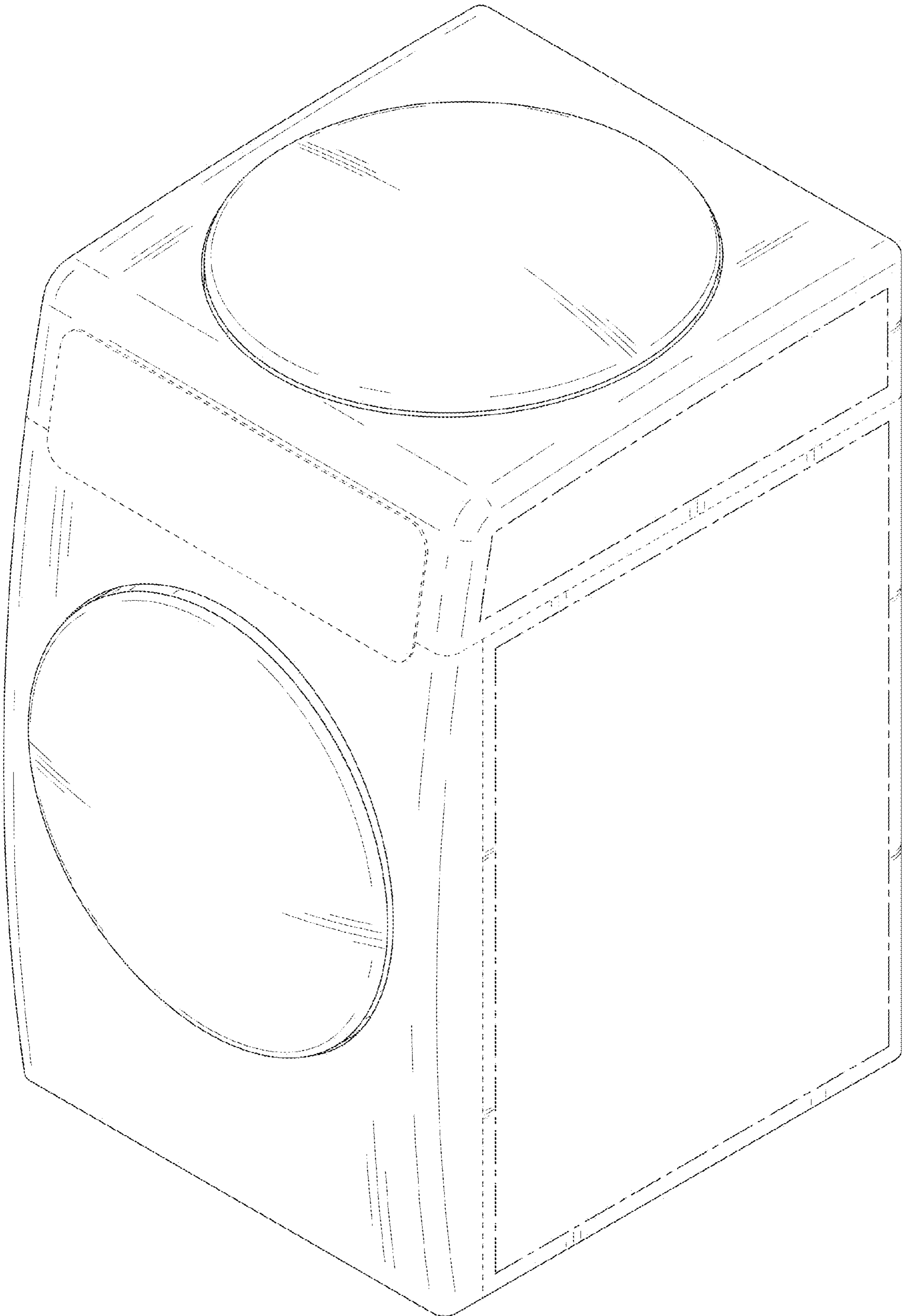


FIG. 2

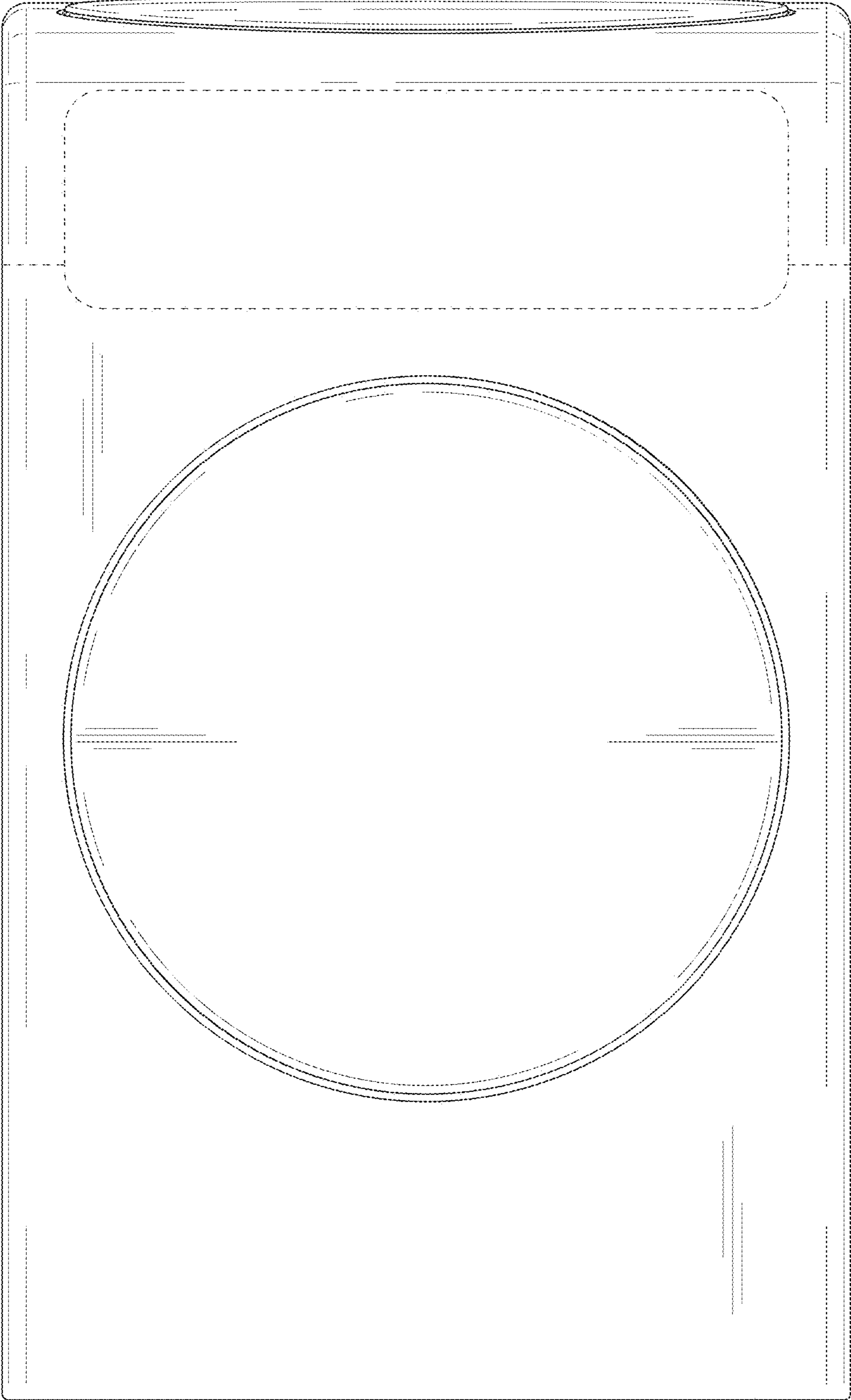


FIG. 3

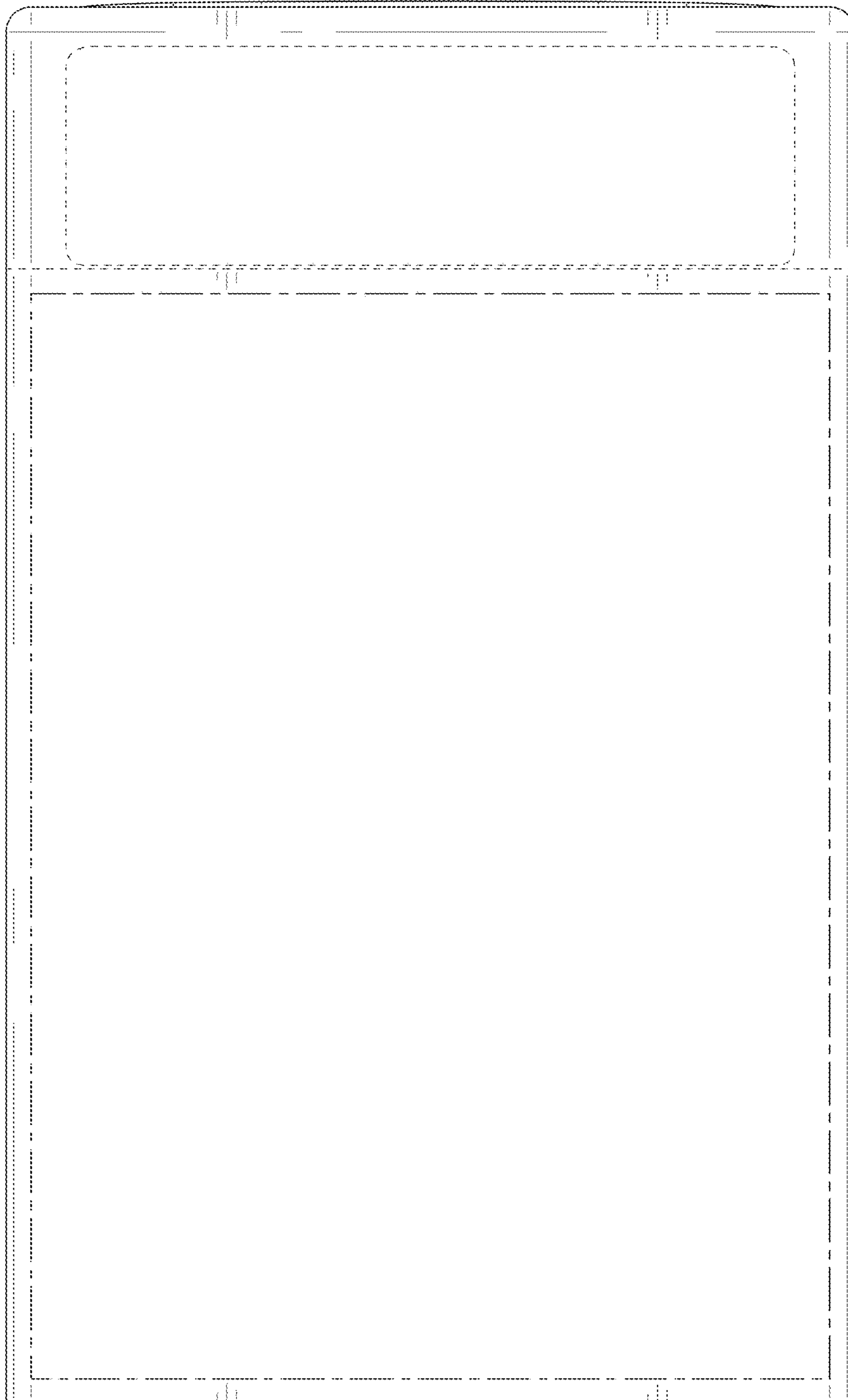


FIG. 4

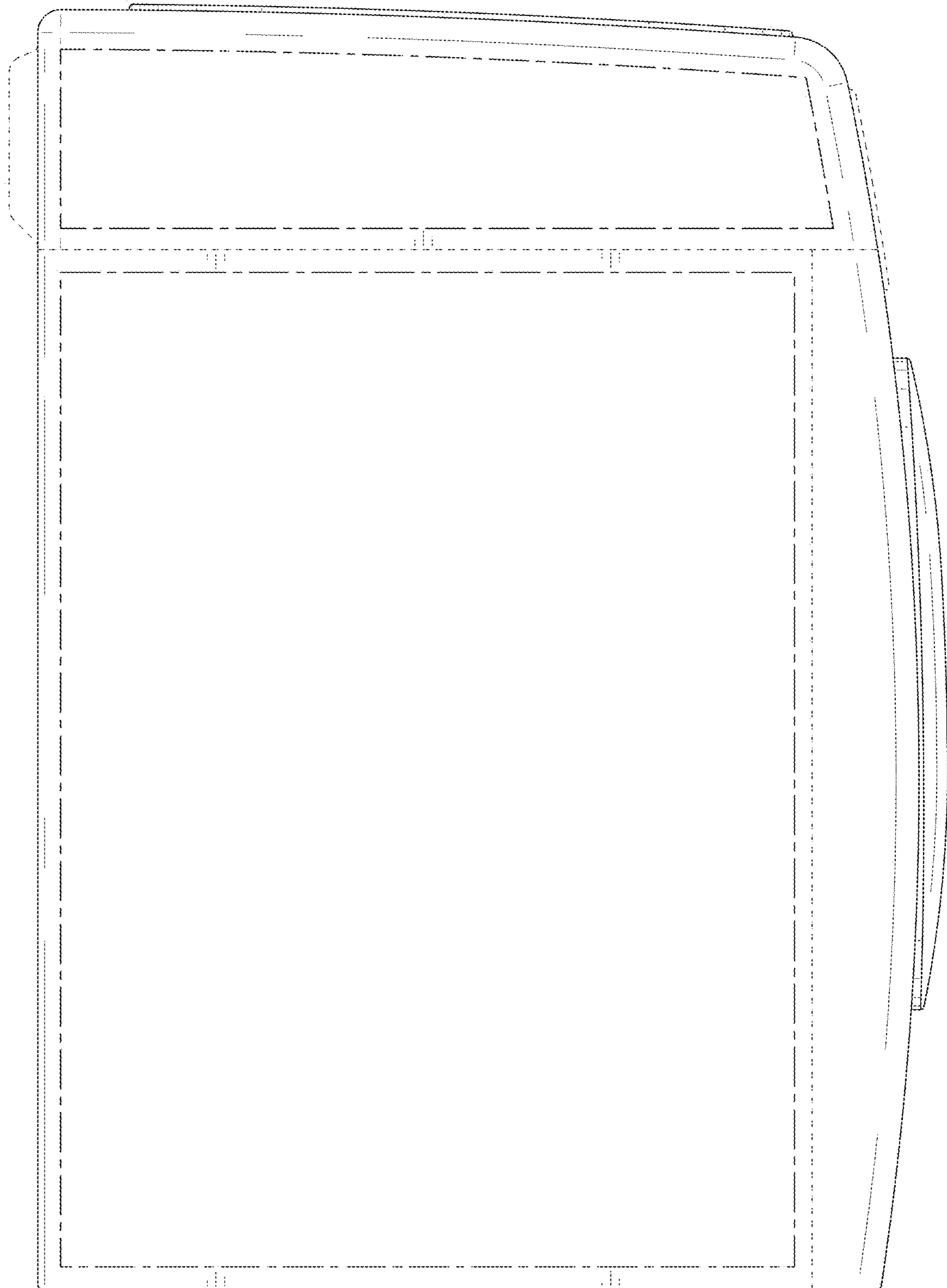


FIG. 5

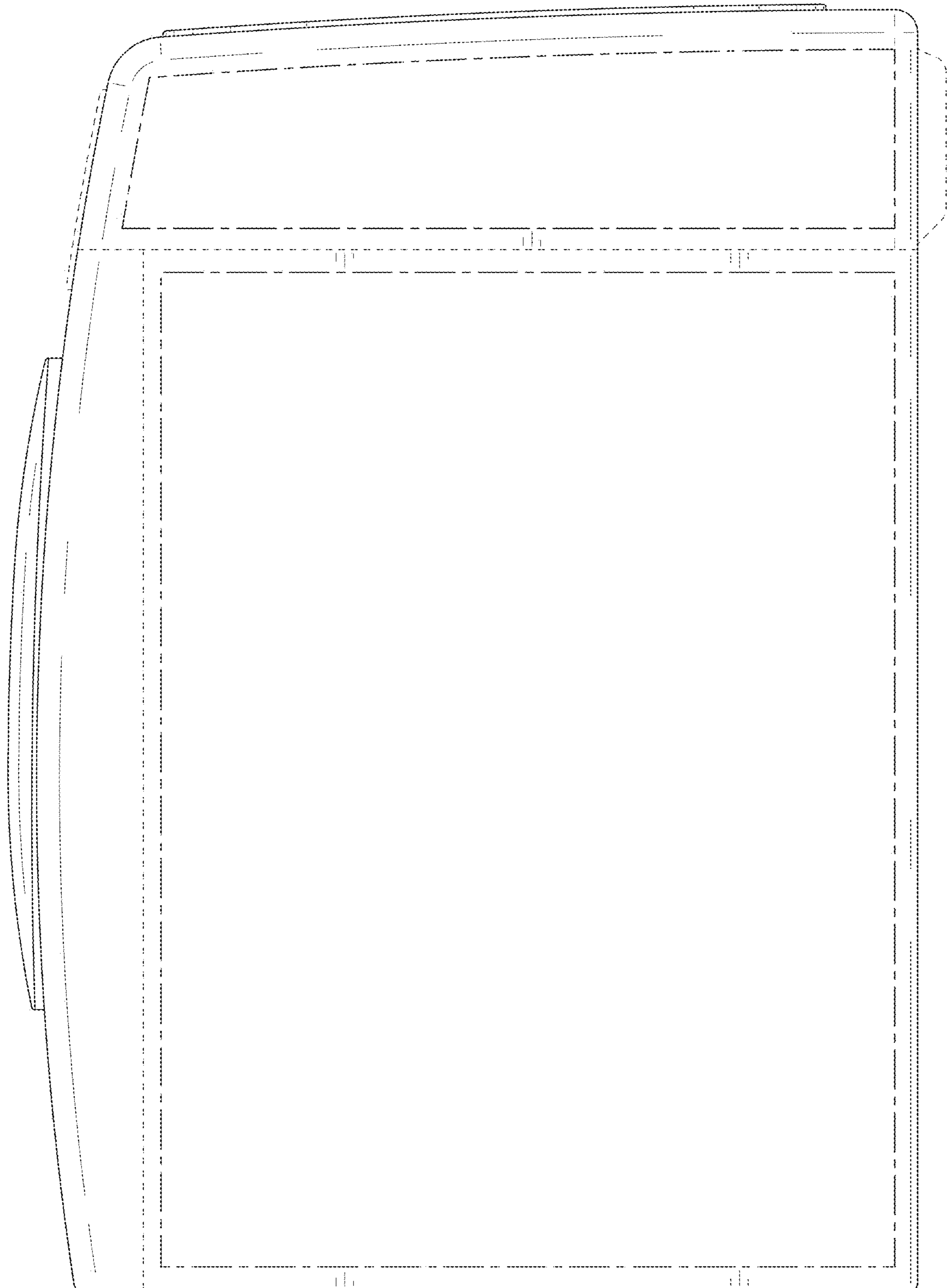


FIG. 6

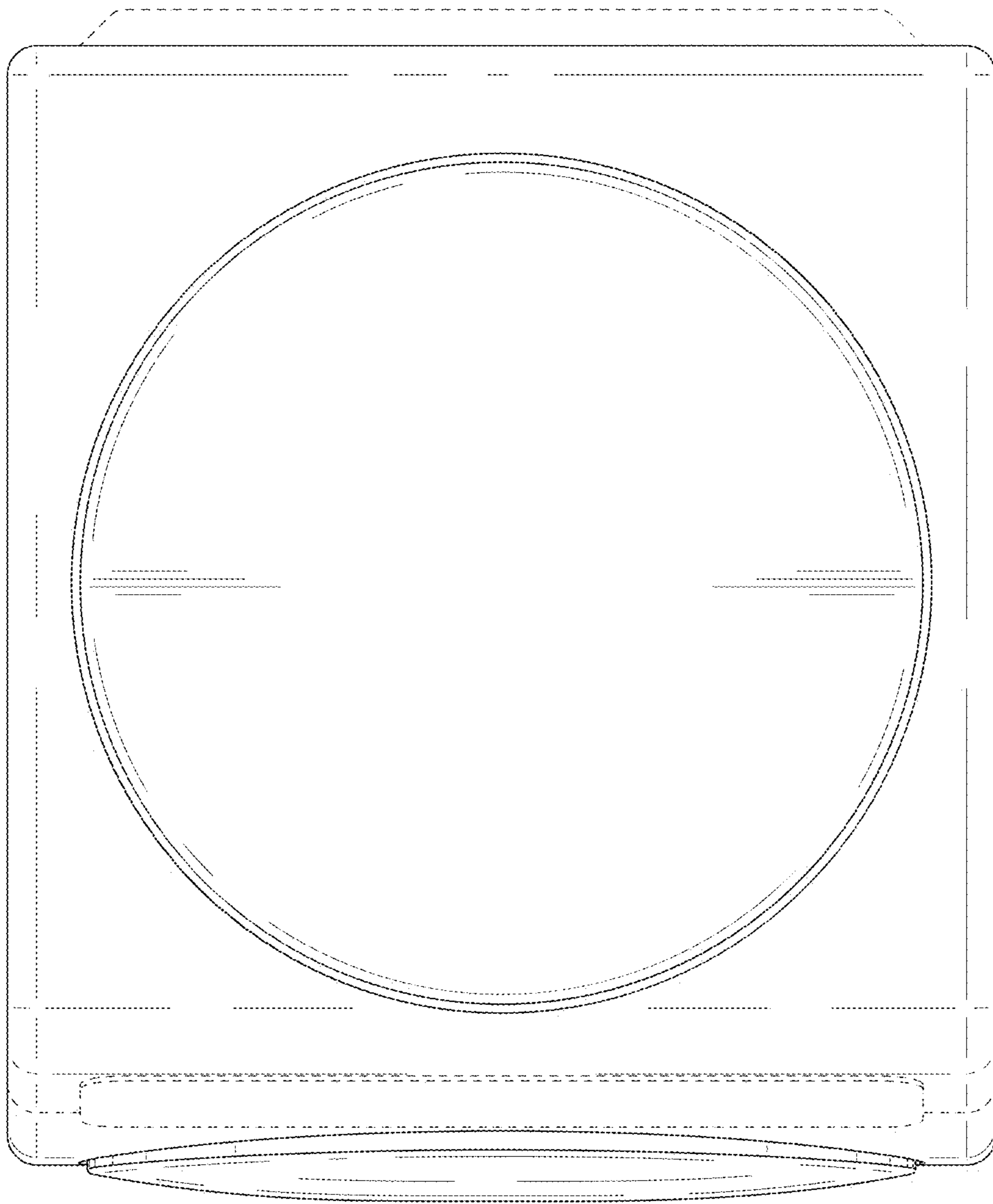


FIG. 7

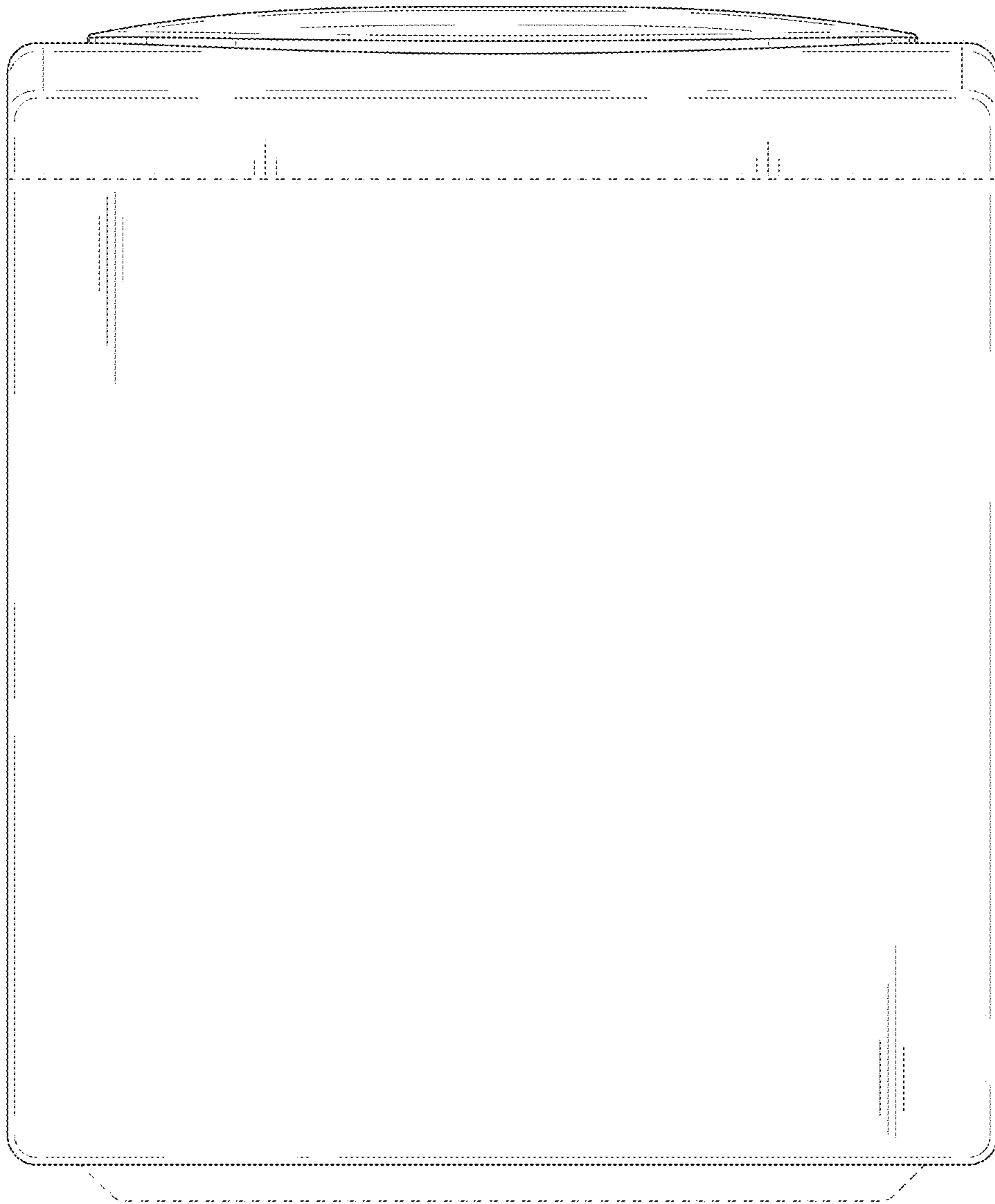


FIG. 8

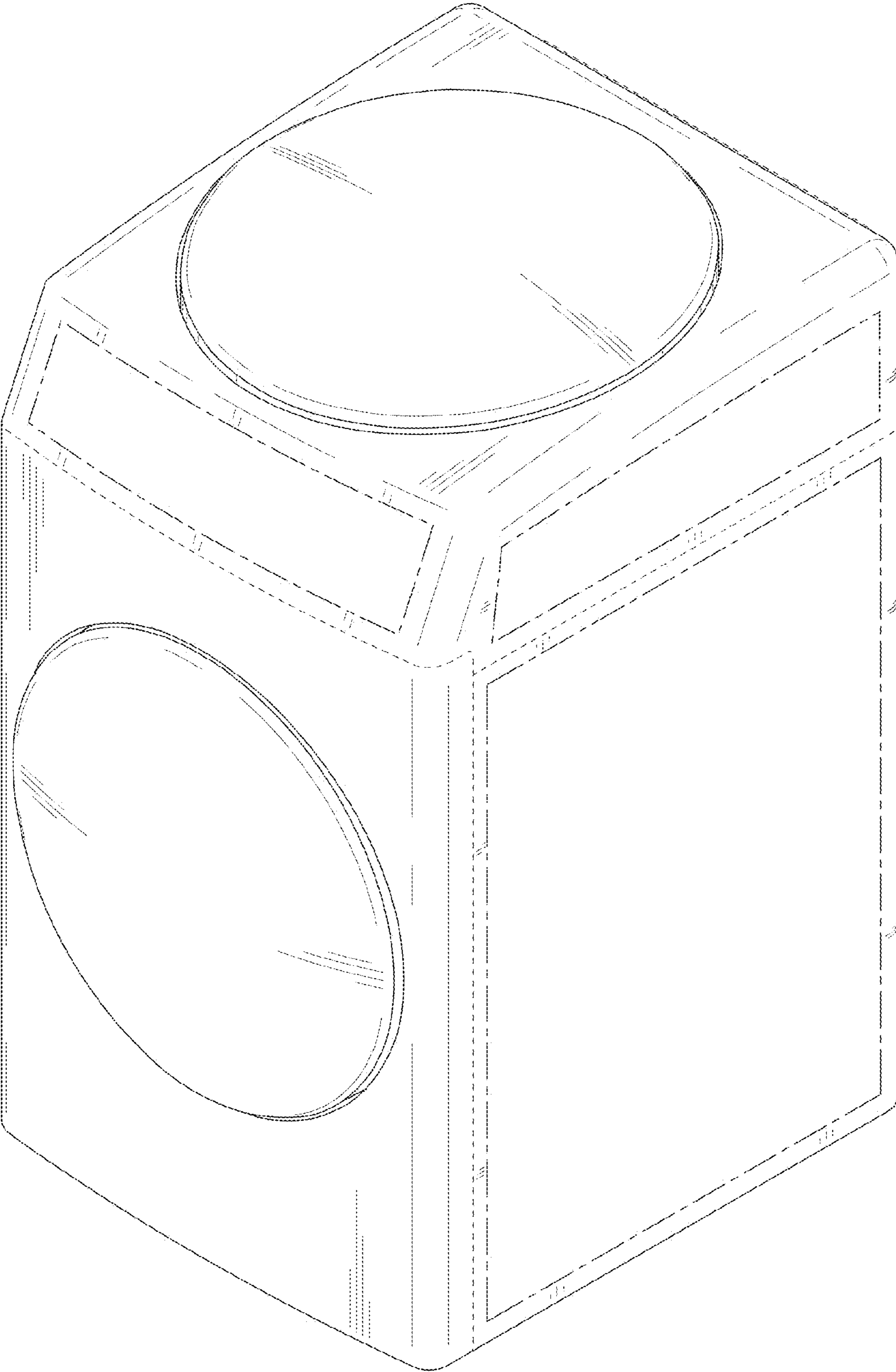


FIG. 9

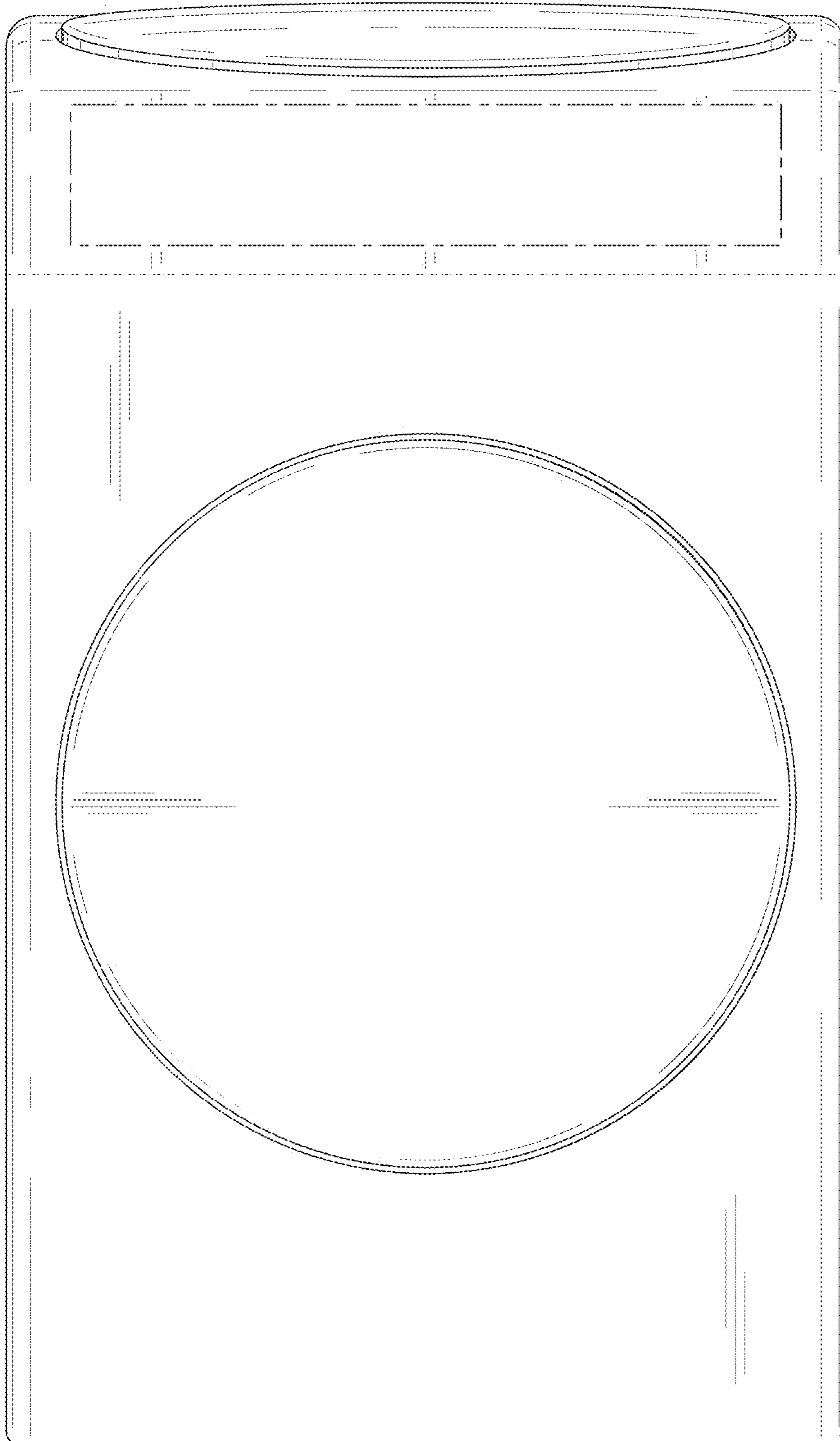


FIG. 10

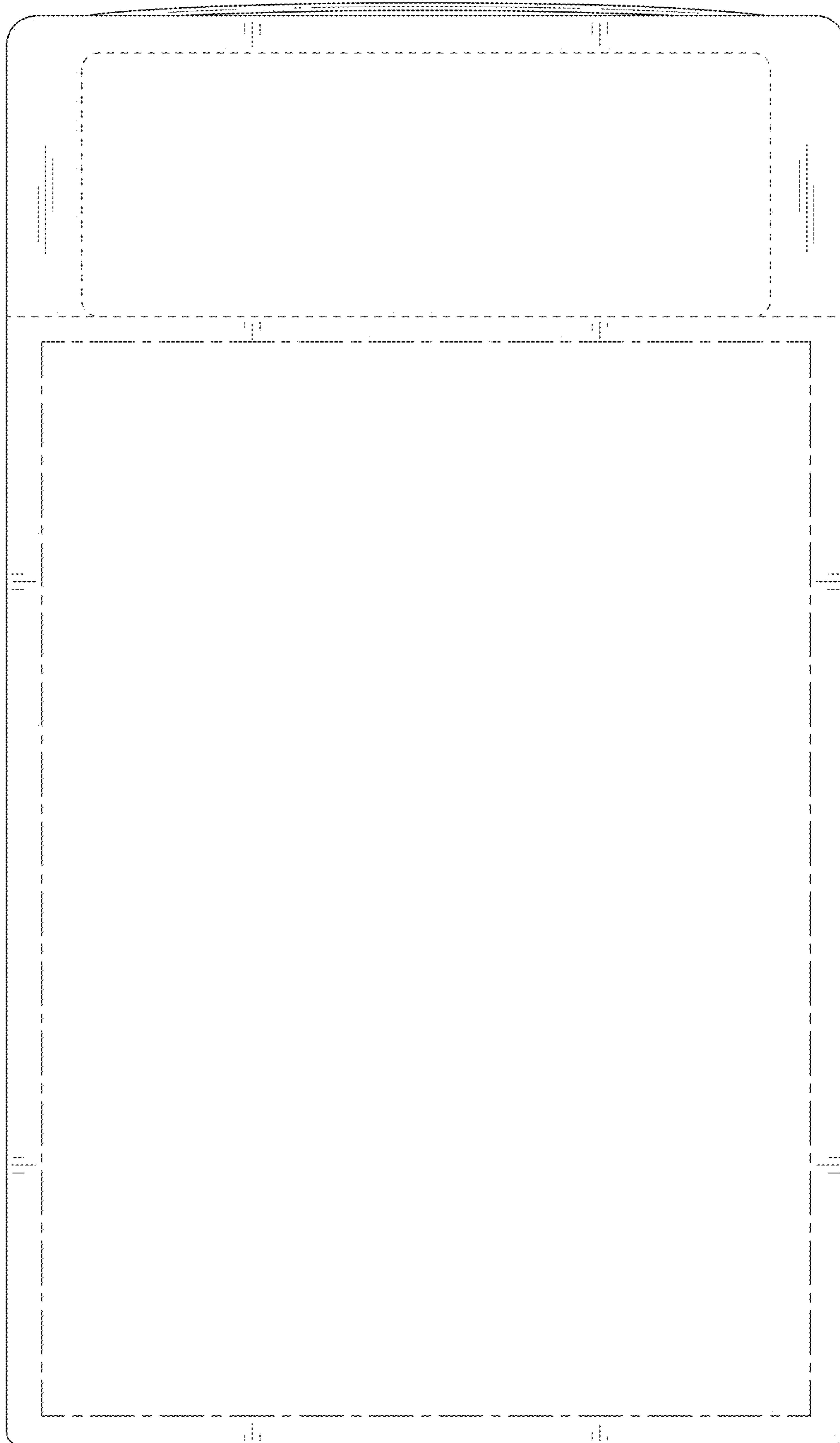


FIG. 11

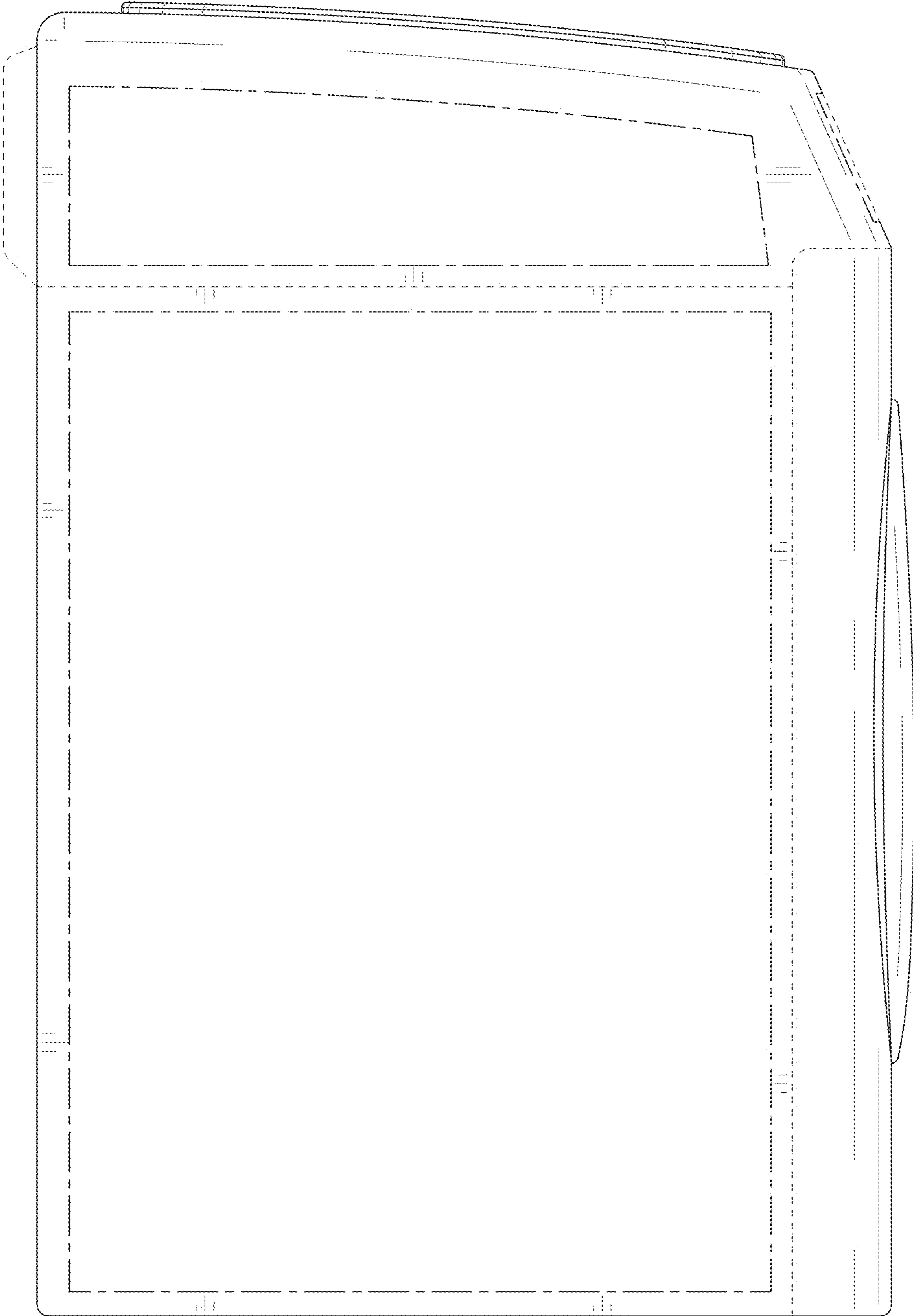


FIG. 12

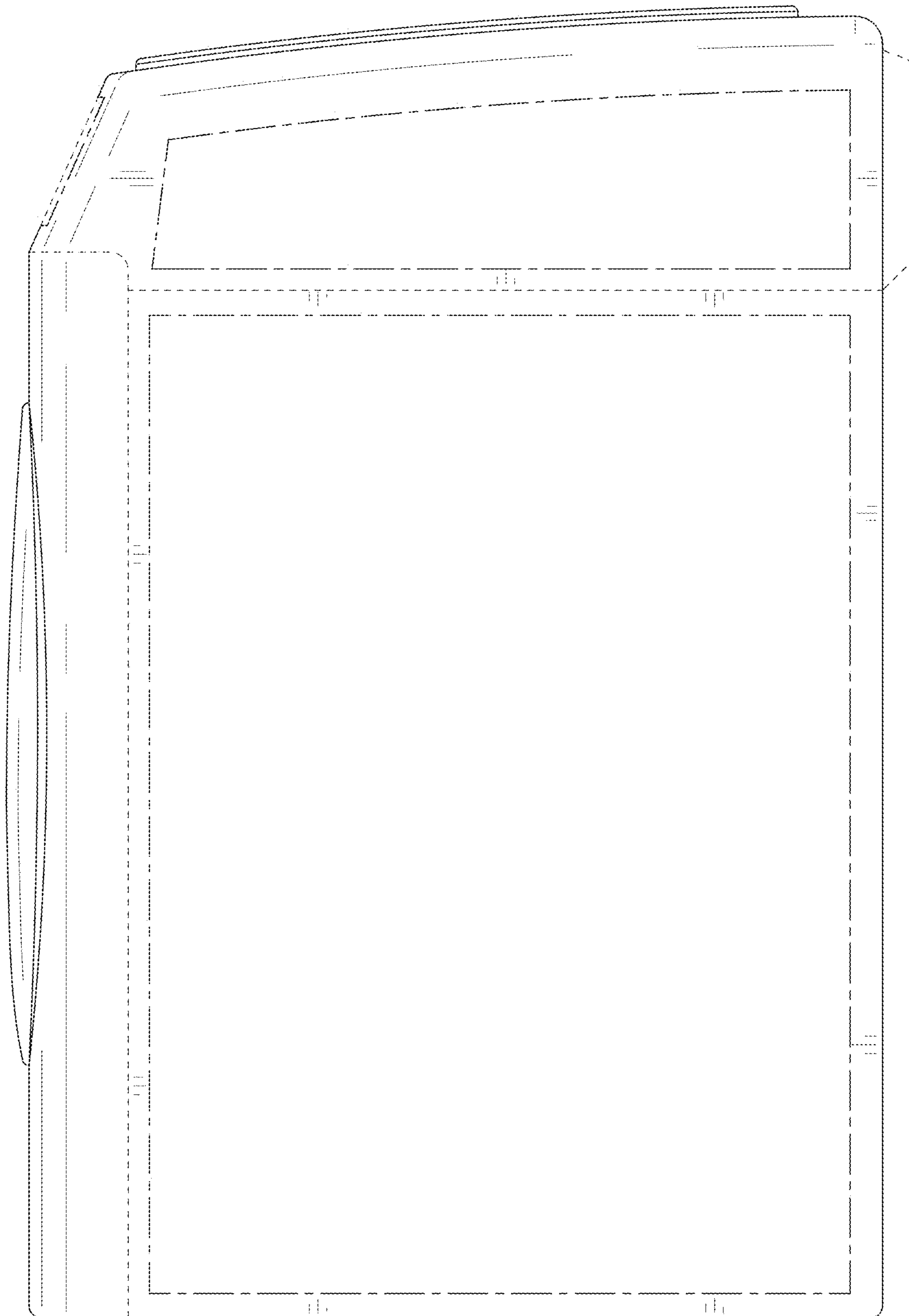


FIG. 13

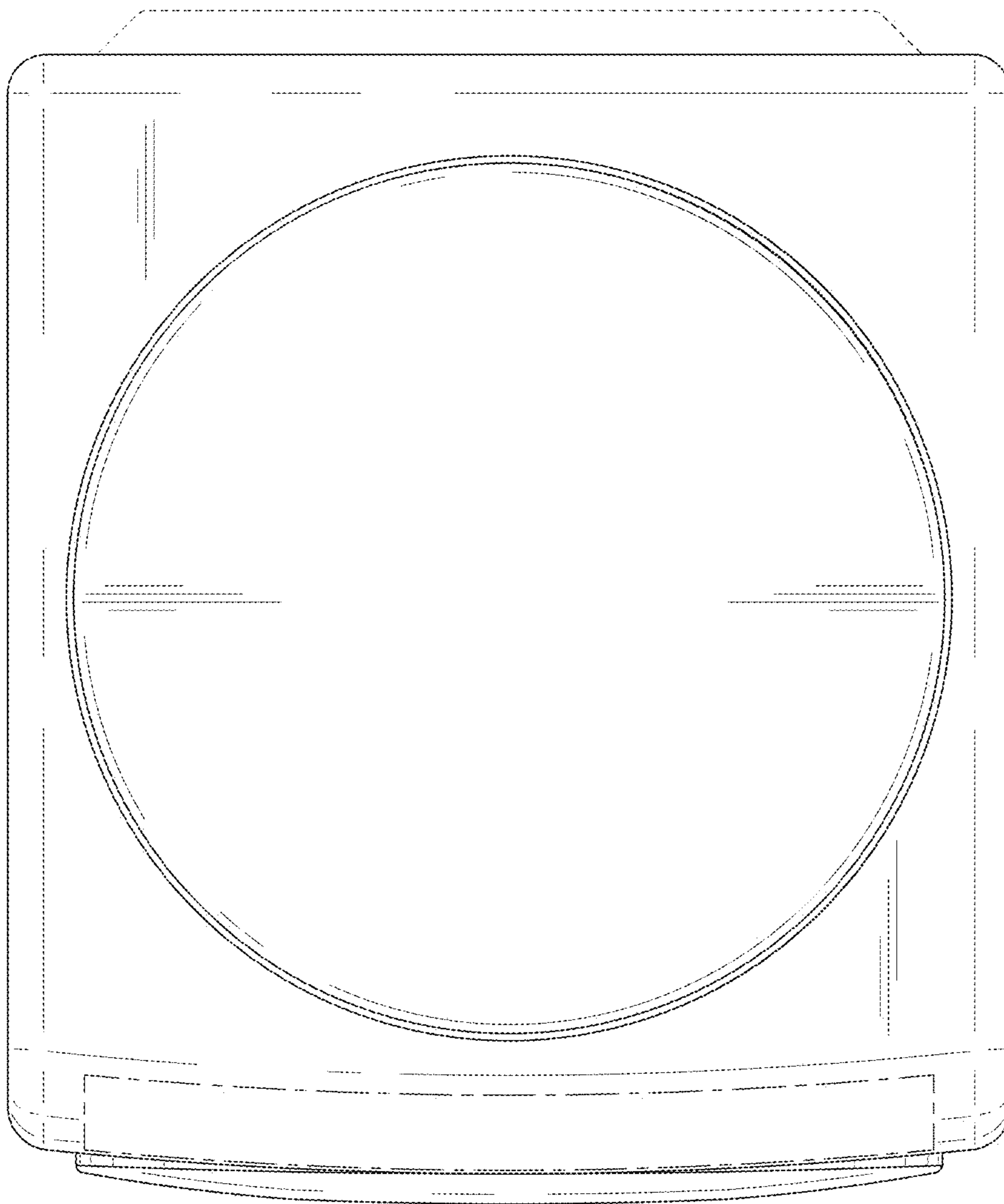


FIG. 14

