

US00D871685S

(12) **United States Design Patent** (10) **Patent No.:** **US D871,685 S**
McMillan et al. (45) **Date of Patent:** **** Dec. 31, 2019**

(54) **TRAINING TOOL**

(71) Applicant: **ANIMAL EXPERT, LLC**, Agoura Hills, CA (US)

(72) Inventors: **Brandon Parrish McMillan**, Los Angeles, CA (US); **Jack Renforth**, Azle, TX (US); **Nicholas Baker**, Fort Worth, TX (US)

(73) Assignee: **ANIMAL EXPERT, LLC**, Agoura Hills, CA (US)

(**) Term: **15 Years**

(21) Appl. No.: **29/597,753**

(22) Filed: **Mar. 20, 2017**

(51) **LOC (12) Cl.** **30-99**

(52) **U.S. Cl.**
USPC **D30/160**

(58) **Field of Classification Search**
USPC D21/398, 400, 402, 412, 415, 426, 436, D21/439, 440, 441, 443, 455, 460-462, D21/466-468, 479, 495, 563, 656, 712, D21/713, 788, 799.1, 470, 681; D24/211, D24/214, 215, 193-195; D30/160, 112, D30/119; D1/125-127; D7/679, D7/590-597, 383, 384, 372-374, 401.1
CPC A63H 5/00; A63H 33/26; A63H 33/18; A63H 29/22; A63H 29/24; A63H 2200/00; A63H 11/00; A63H 13/00; A63H 18/02; A63H 18/14; A63H 18/16; A63H 29/00; A63H 33/009; A63H 33/22; A63H 33/3055; A63H 3/003; A63H 3/006; A63H 3/008; A63H 3/24; A63H 3/28; A63H 3/31; A63H 3/36; A63H 9/00; A63B 59/20; A63B 69/406; A63B 47/04; A63B 2220/51; A63B 2220/53; A63B 2220/56; A63B 2220/805; A63B 2071/0625; A63B 2071/063; A63B 2220/17; A63B 2220/18; A63B 2220/40;

(Continued)

(56) **References Cited**

U.S. PATENT DOCUMENTS

D508,727 S * 8/2005 Peters D12/133
D567,598 S * 4/2008 Lee D7/679

(Continued)

OTHER PUBLICATIONS

Tips and Tricks for Using Salt and Pepper Mills, posted at blog. publickitchensupply.com, earliest date posted Oct. 2, 2017, [online], acquired on Mar. 29, 2019. Available from Internet, <URL: http://blog.publickitchensupply.com/2017/10/02/tips-and-tricks-for-using-salt-and-pepper-mills/> (Year: 2017).*

(Continued)

Primary Examiner — Lilyana Bekic

Assistant Examiner — Aula Soroush

(74) *Attorney, Agent, or Firm* — Global IP Counselors, LLP

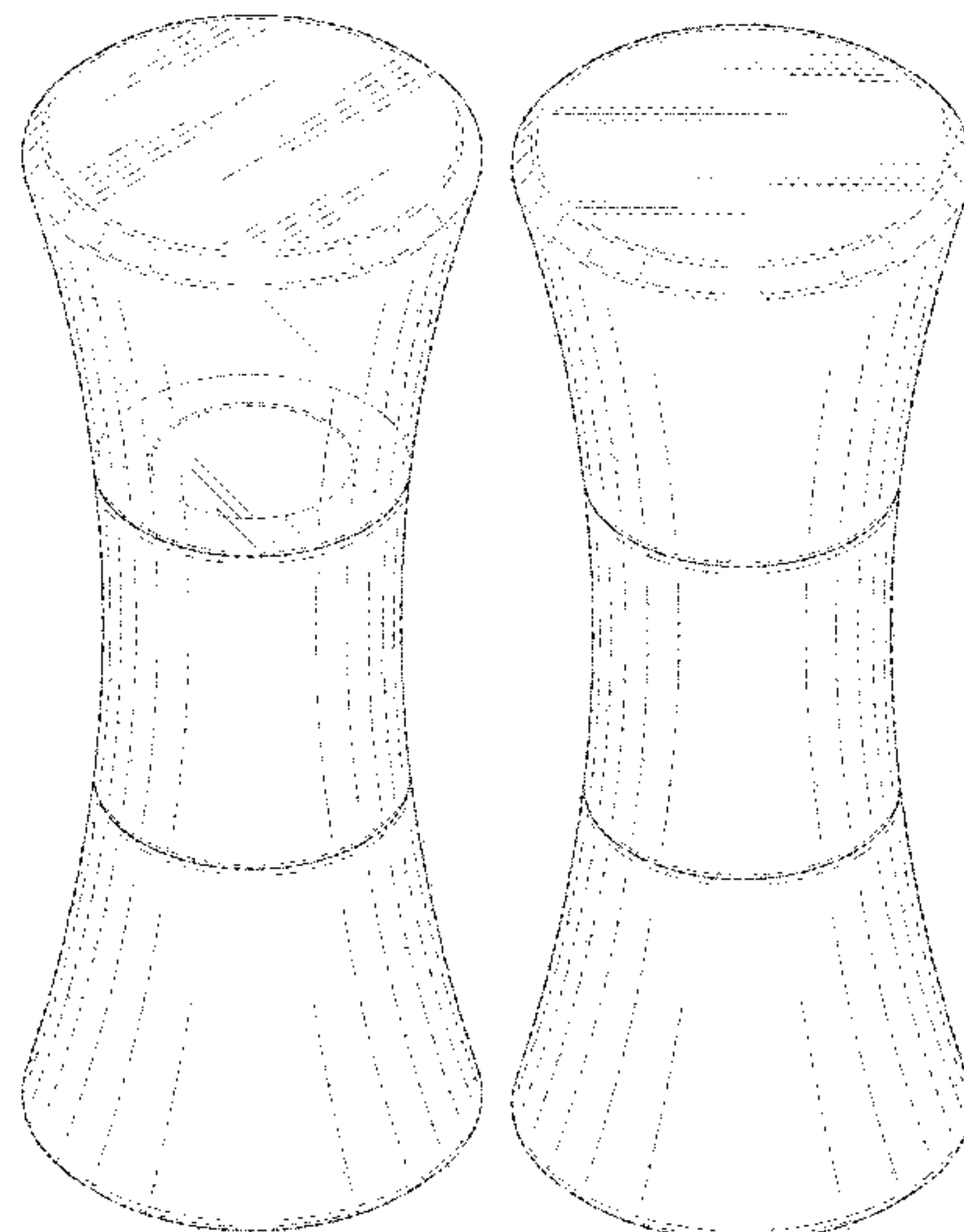
(57) **CLAIM**

The ornamental design for a training tool, as shown and described.

DESCRIPTION

FIG. 1 is a front perspective view of a first embodiment of a training tool in accordance with our new design; FIG. 2 is a front view thereof; FIG. 3 is a back view thereof; FIG. 4 is a top view thereof; FIG. 5 is a bottom view thereof; FIG. 6 is a front perspective view of a second embodiment of a training tool in accordance with our new design; FIG. 7 is a front view thereof; FIG. 8 is a back view thereof; FIG. 9 is a top view thereof; and, FIG. 10 is a bottom view thereof.

1 Claim, 8 Drawing Sheets



(58) **Field of Classification Search**

CPC A63B 2220/803; A63B 2220/833; A63B
43/004; A63B 43/06; A63B 71/0622;
A63B 2071/0602; A63B 21/0055; A63B
2207/02; A63B 2225/54; A63B 69/0053;
A63B 2047/043

See application file for complete search history.

(56) **References Cited**

U.S. PATENT DOCUMENTS

D756,700 S * 5/2016 Warman D7/373
D807,595 S * 1/2018 Valle D30/199
D809,880 S * 2/2018 Perkail D7/679
9,943,068 B2 * 4/2018 Valle A01K 15/025
D827,213 S * 8/2018 Veness D30/132
2006/0086755 A1 * 4/2006 Roth B65D 21/0204
222/129
2008/0115732 A1 * 5/2008 Stenberg A01K 7/02
119/74
2010/0083904 A1 * 4/2010 Pu A01K 5/0114
119/51.03

OTHER PUBLICATIONS

Onkey, shakeTrainer: The Complete Humane Dog Training Kit,
2007, <http://shaketrainer.com/>.

* cited by examiner

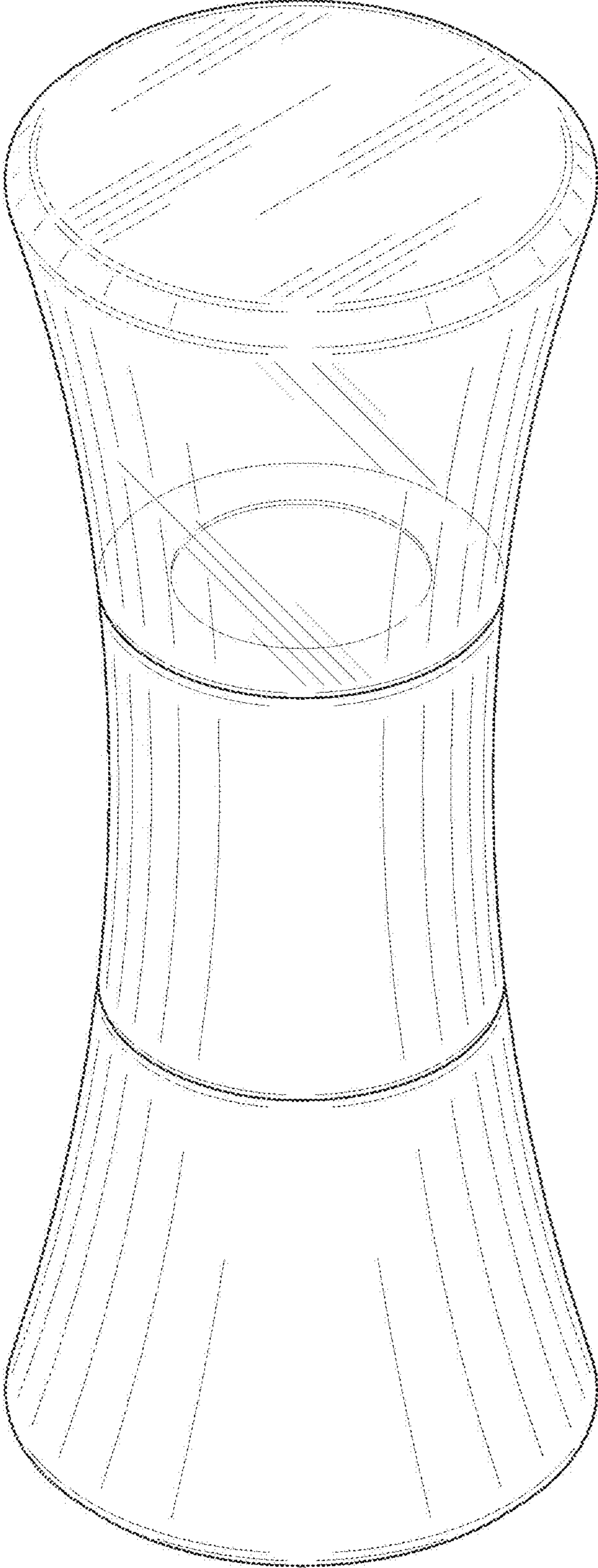


FIG. 1

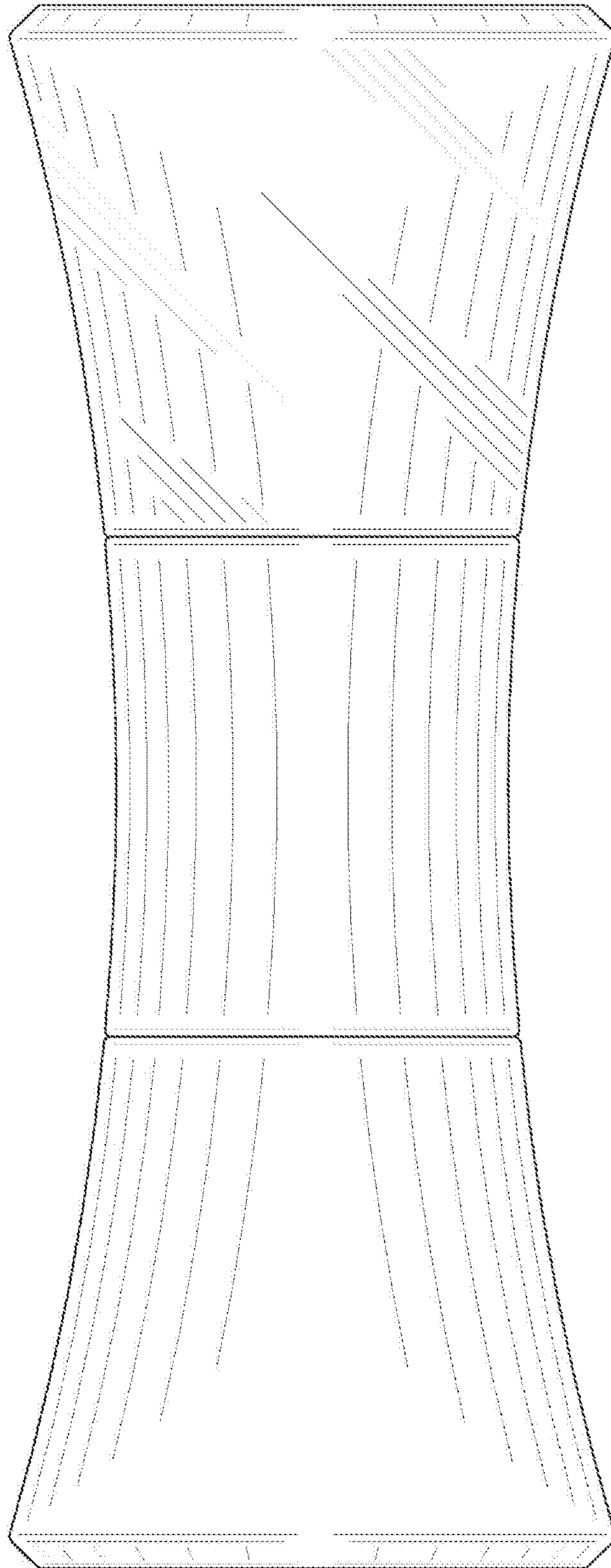


FIG. 2

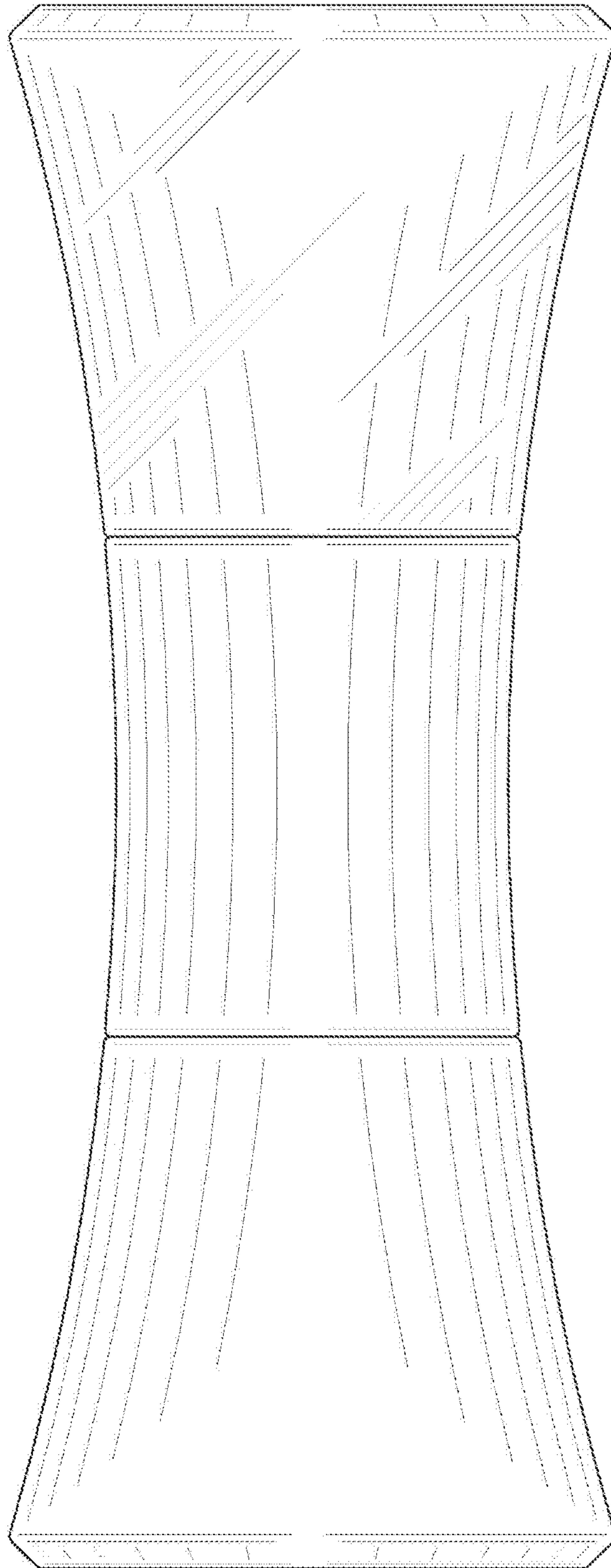


FIG. 3

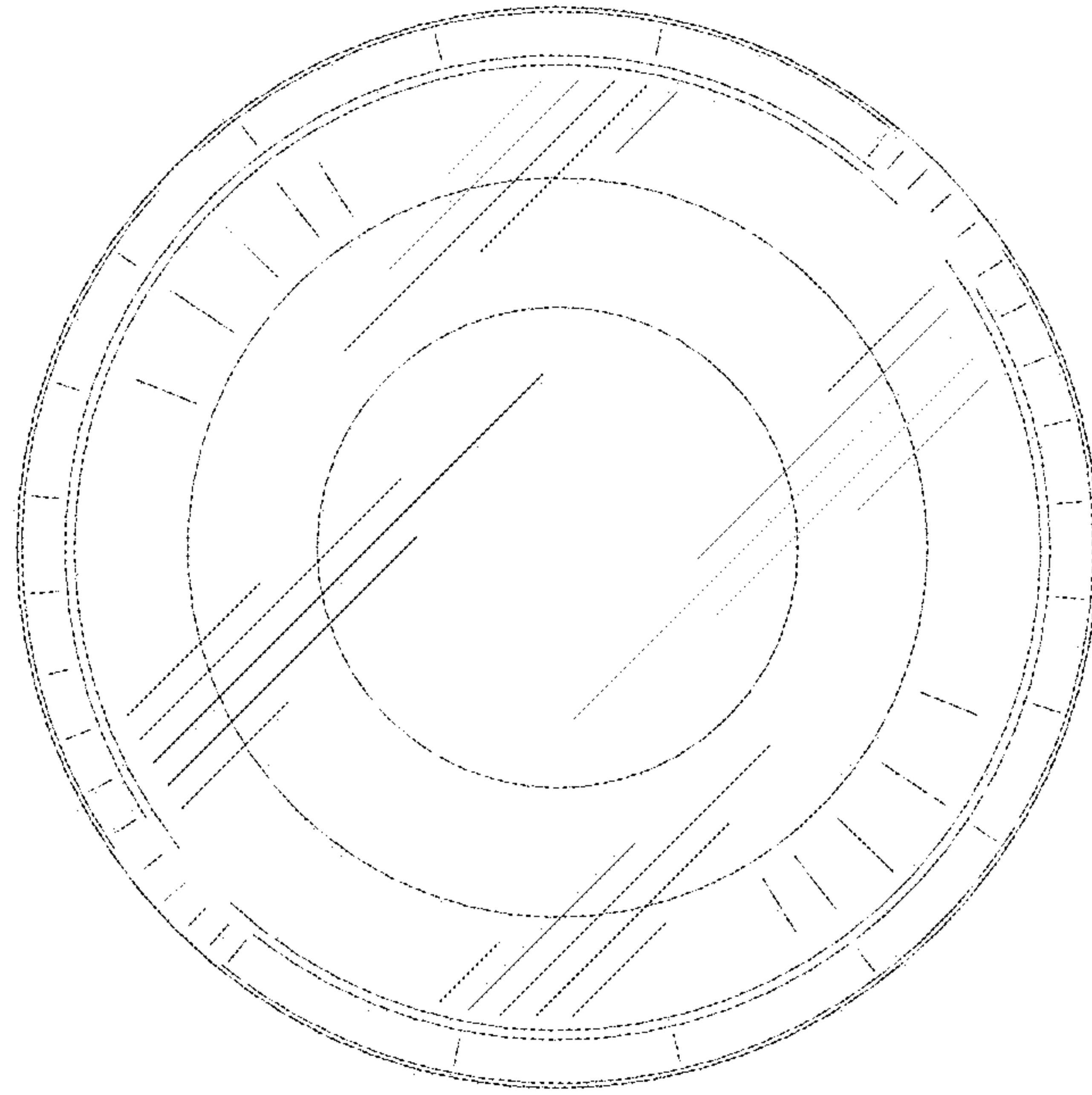


FIG. 4

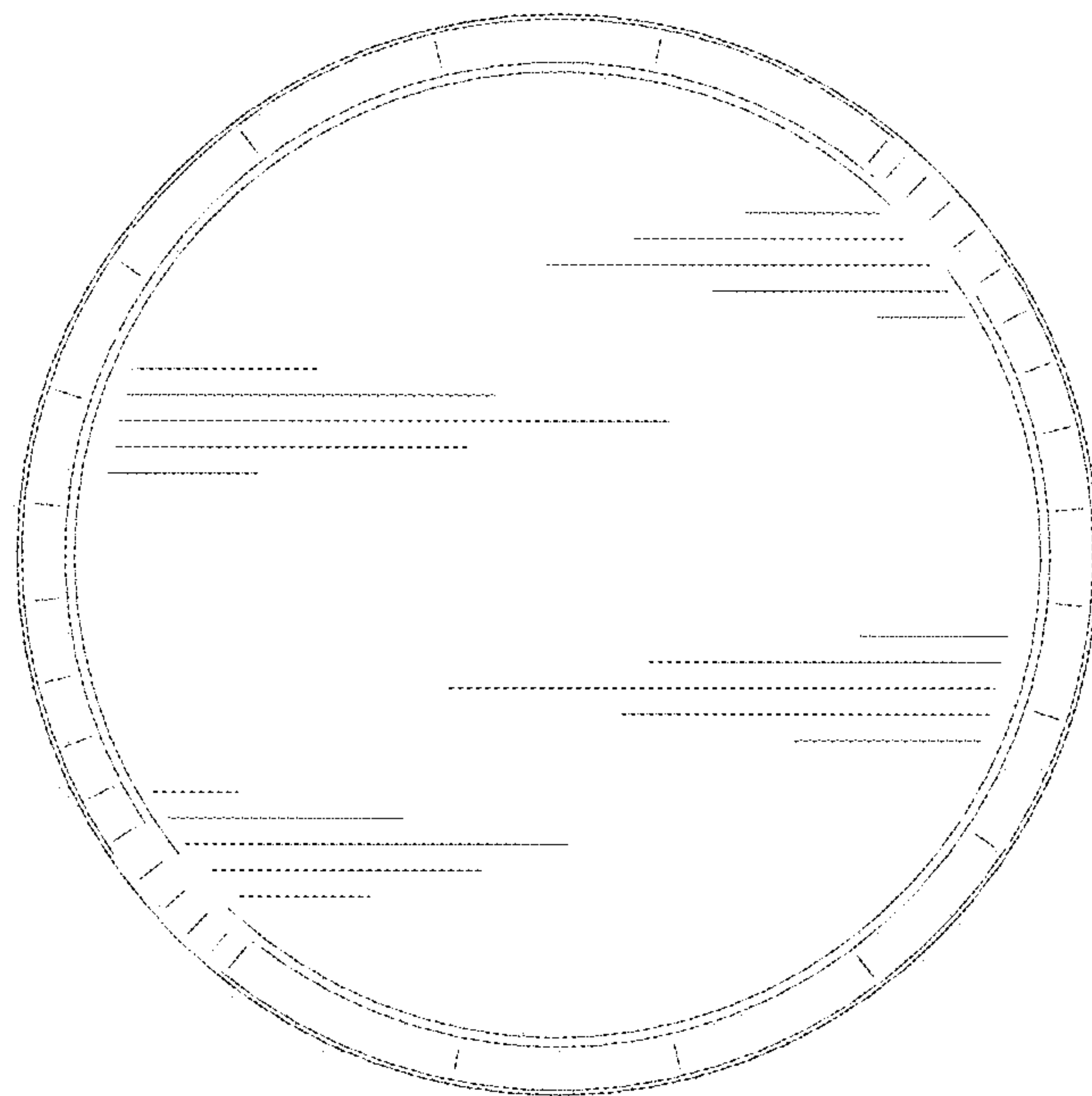


FIG. 5

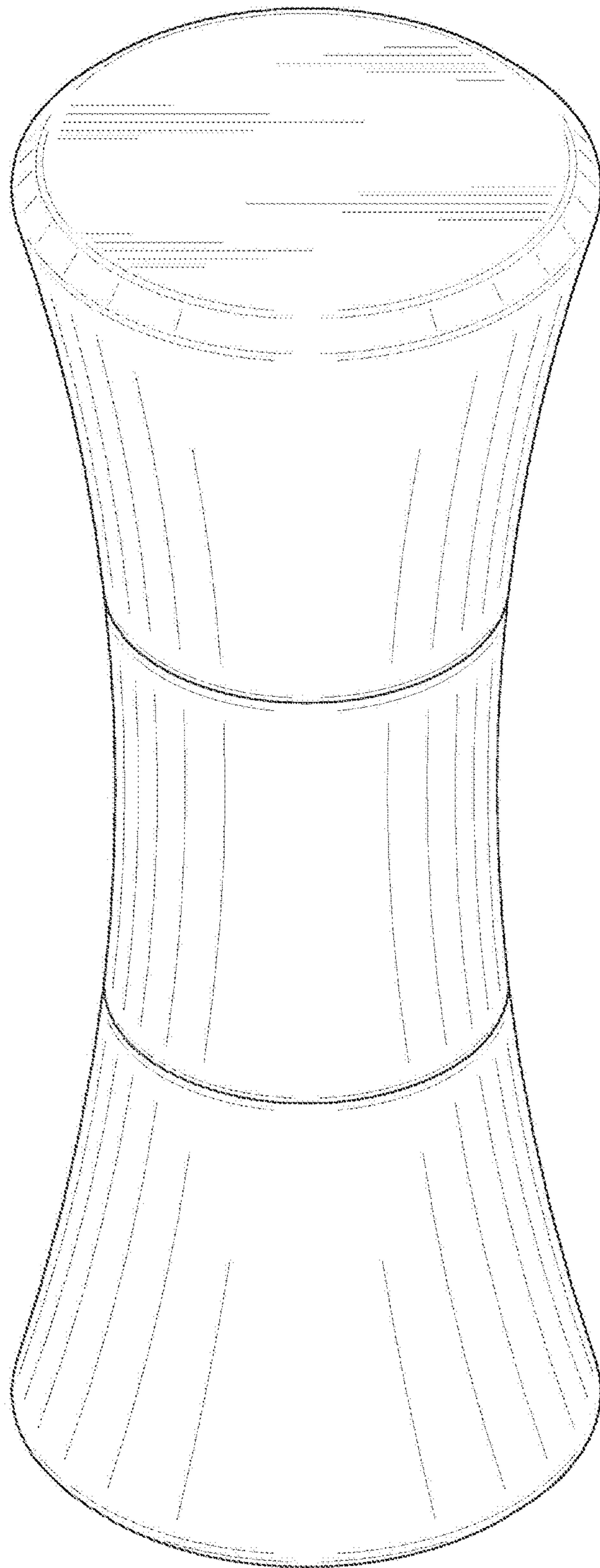


FIG. 6

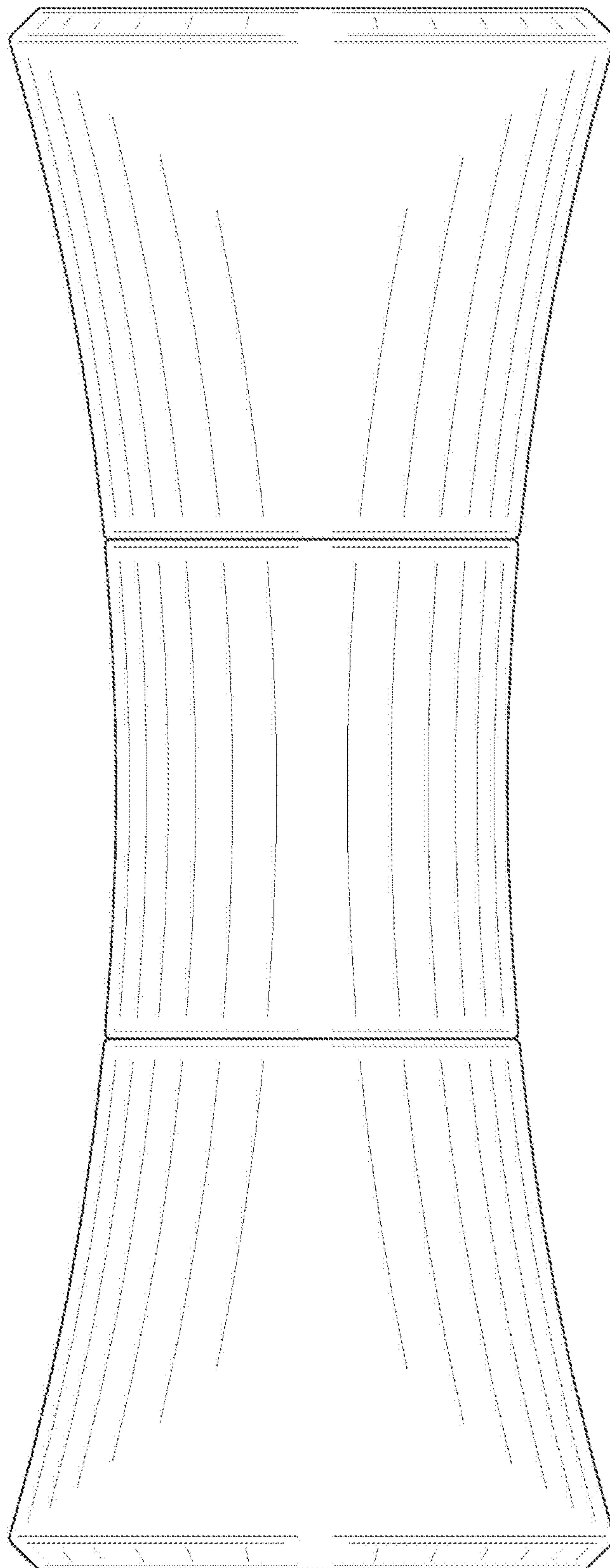


FIG. 7

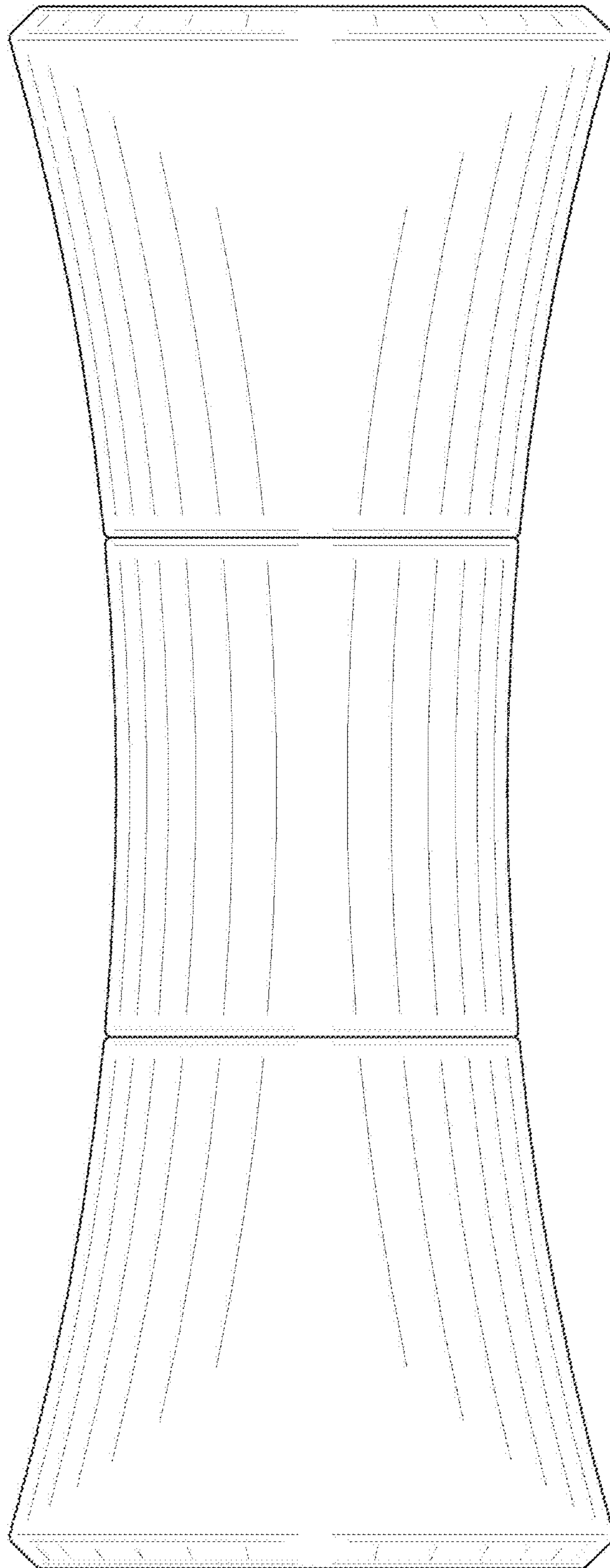


FIG. 8

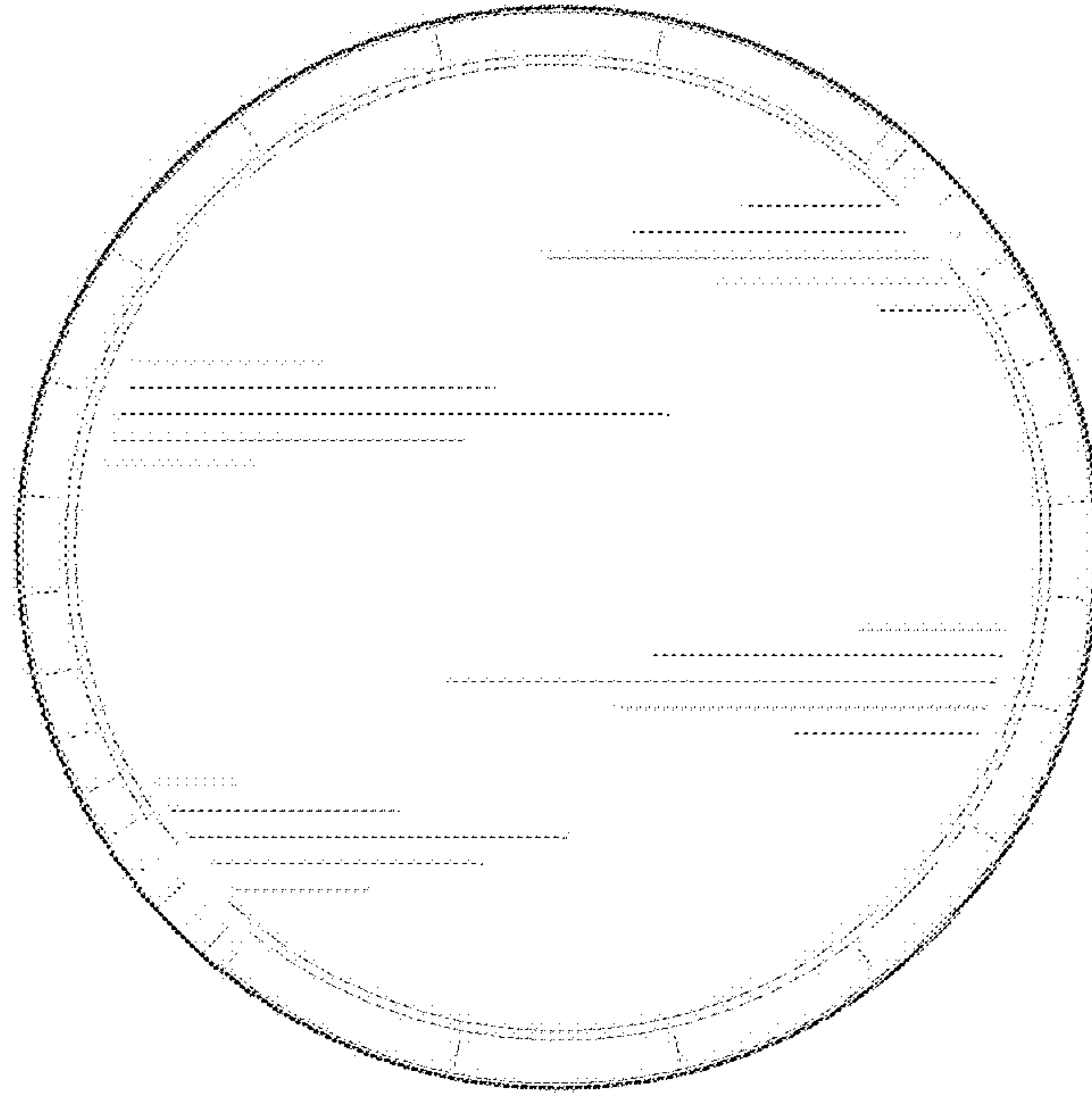


FIG. 9

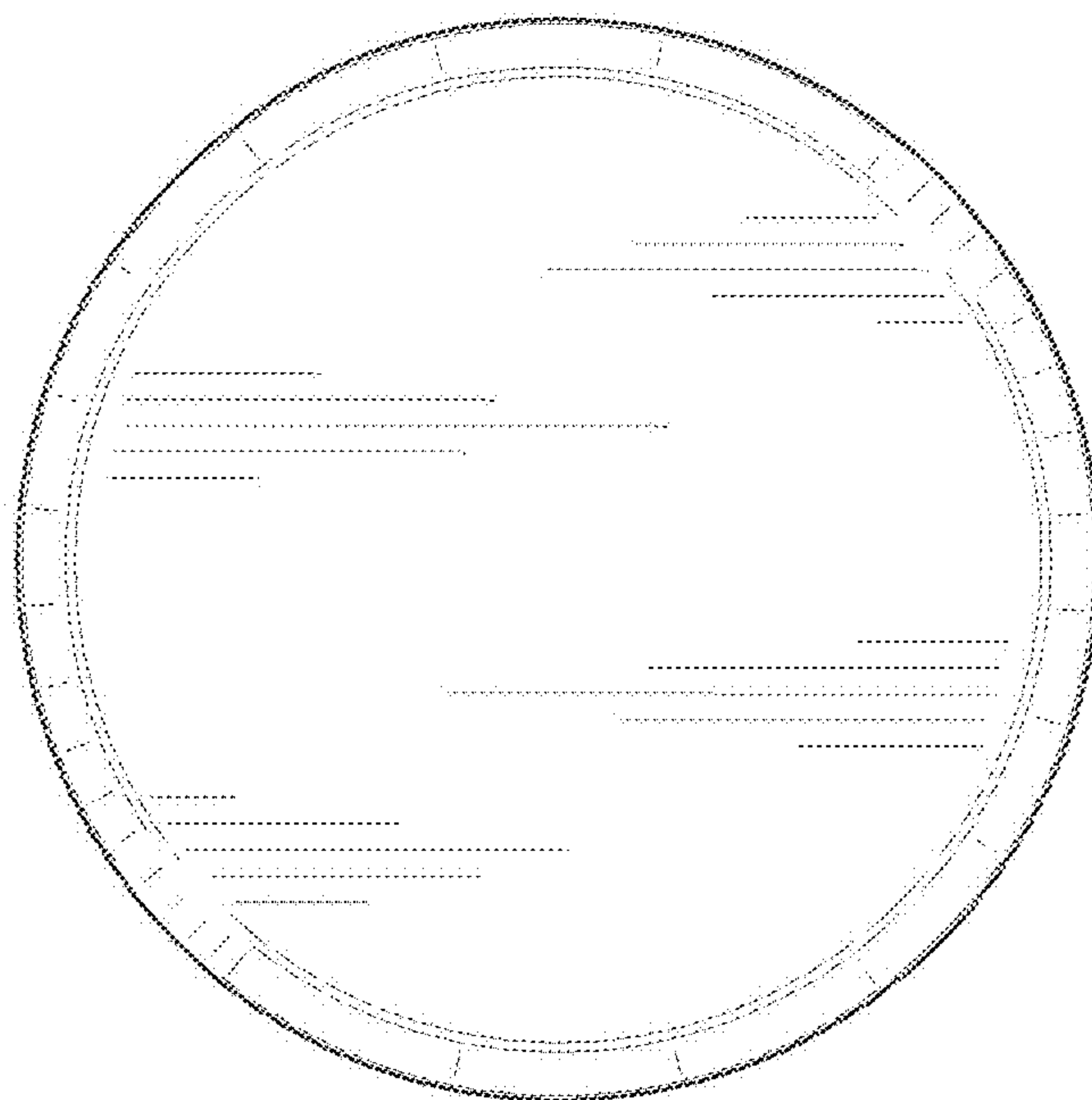


FIG. 10